



US00D939931S

(12) **United States Design Patent** (10) **Patent No.:** **US D939,931 S**  
**Ryu** (45) **Date of Patent:** **\*\* Jan. 4, 2022**

(54) **JIG FOR ATTACHING DISPLAY PROTECTION FILM**

FOREIGN PATENT DOCUMENTS

WO 2016008130 A1 1/2016

(71) Applicant: **Whitestone Co., Ltd.**, Cheonan-si (KR)

OTHER PUBLICATIONS

(72) Inventor: **Jong-Yun Ryu**, Seongnam-si (KR)

LOCA instructional YouTube Video, <https://www.youtube.com/watch?v=H18Sk61D4Is>, published on Nov. 8, 2015.

(73) Assignee: **Whitestone Co., Ltd.**, Cheonan-si (KR)

(Continued)

(\*\*) Term: **15 Years**

*Primary Examiner* — Michael C Stout

(21) Appl. No.: **29/696,930**

*Assistant Examiner* — Benjamin M Weeks

(22) Filed: **Jul. 2, 2019**

(74) *Attorney, Agent, or Firm* — Bishop, Diehl & Lee, Ltd.

(30) **Foreign Application Priority Data**

(57) **CLAIM**

Mar. 7, 2019 (KR) ..... 30-2019-0010349

The ornamental design for a jig for attaching display protection film, as shown and described.

(51) **LOC (13) Cl.** ..... **08-08**

**DESCRIPTION**

(52) **U.S. Cl.**

USPC ..... **D8/349**

(58) **Field of Classification Search**

USPC ..... D8/354, 355, 330, 331, 333, 380;  
D6/672, 684, 680, 683.1, 703.5

CPC ..... F16B 5/00; F16B 5/02; F16B 12/50  
See application file for complete search history.

(56) **References Cited**

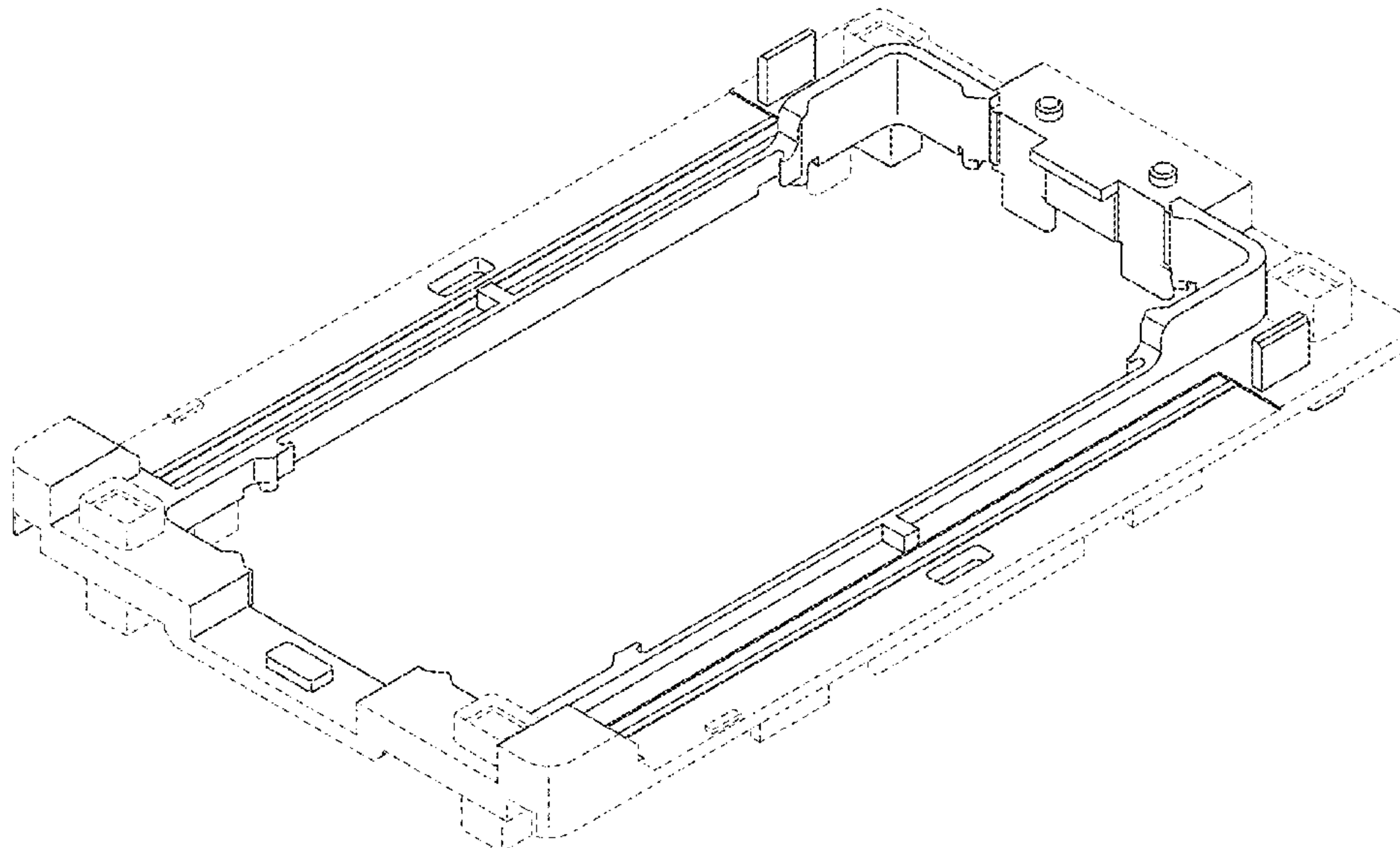
U.S. PATENT DOCUMENTS

D380,139 S *	6/1997	Scott	.....	D8/349
D610,434 S *	2/2010	Watts	.....	D8/349
D687,441 S *	8/2013	Janzen	.....	D14/447
D729,611 S *	5/2015	Schmidt	.....	D8/349
9,169,422 B2	10/2015	O'Hare		
9,248,628 B2	2/2016	Honeycutt		
9,868,274 B2	1/2018	Kim		
D817,149 S *	5/2018	Ralph	.....	D8/349
D831,462 S *	10/2018	McSweyn	.....	D8/349
10,091,341 B1 *	10/2018	Cha	.....	G06F 1/1626
10,100,238 B2	10/2018	Lu		

(Continued)

FIG. 1 is a perspective view of a jig for attaching display protection film;  
 FIG. 2 is a front view of the jig for attaching display protection film as shown in FIG. 1;  
 FIG. 3 is a rear view of the jig for attaching display protection film as shown in FIG. 1;  
 FIG. 4 is a left side view of the jig for attaching display protection film as shown in FIG. 1;  
 FIG. 5 is a right side view of the jig for attaching display protection film as shown in FIG. 1;  
 FIG. 6 is a top plan view of the jig for attaching display protection film as shown in FIG. 1;  
 FIG. 7 is a bottom view of the jig for attaching display protection film as shown in FIG. 1; and,  
 FIG. 8 is a reference view showing the jig for attaching display protection film over a main body.  
 Any components in the drawings shown in broken lines are for illustrative purposes only and form no part of the claimed design.

**1 Claim, 8 Drawing Sheets**



(56)

**References Cited**

## U.S. PATENT DOCUMENTS

2003/0121601 A1\* 7/2003 Tajima ..... G09F 7/18  
156/254  
2012/0229300 A1\* 9/2012 Fu ..... F16M 11/10  
340/901  
2014/0047708 A1\* 2/2014 Chae ..... B29C 63/0004  
29/700  
2015/0181345 A1\* 6/2015 Cai ..... H04R 9/06  
381/412  
2015/0201256 A1\* 7/2015 Xu ..... H04R 1/06  
381/417  
2015/0319535 A1\* 11/2015 Xu ..... H04R 7/18  
381/412  
2016/0009024 A1\* 1/2016 Mason ..... B29C 63/02  
156/249  
2017/0274635 A1\* 9/2017 Lin ..... G06F 1/1637

## OTHER PUBLICATIONS

LOCA instructional YouTube Video, [https://www.youtube.com/watch?v=bv\\_Bj6RY-Nc](https://www.youtube.com/watch?v=bv_Bj6RY-Nc), published on Nov. 22, 2013.

LOCA instructional YouTube Video, <https://www.youtube.com/watch?v=8e7pUESE2KE>, published on Apr. 24, 2014.

AmFilm's Full Screen (Edge to Edge) 3D Curved Tempered Glass Screen Protector for use with the Galaxy S6, Jul. 2015, available at <https://www.amazon.com/dp/B00ZEEXWHK#customerReviews>.

The Editorial Staff, Products on Display at Display Week 2012, May 1, 2012, SID 2012 International Symposium, Seminar, and Exhibition, available publicly at [www.sid.org](http://www.sid.org).

\* cited by examiner

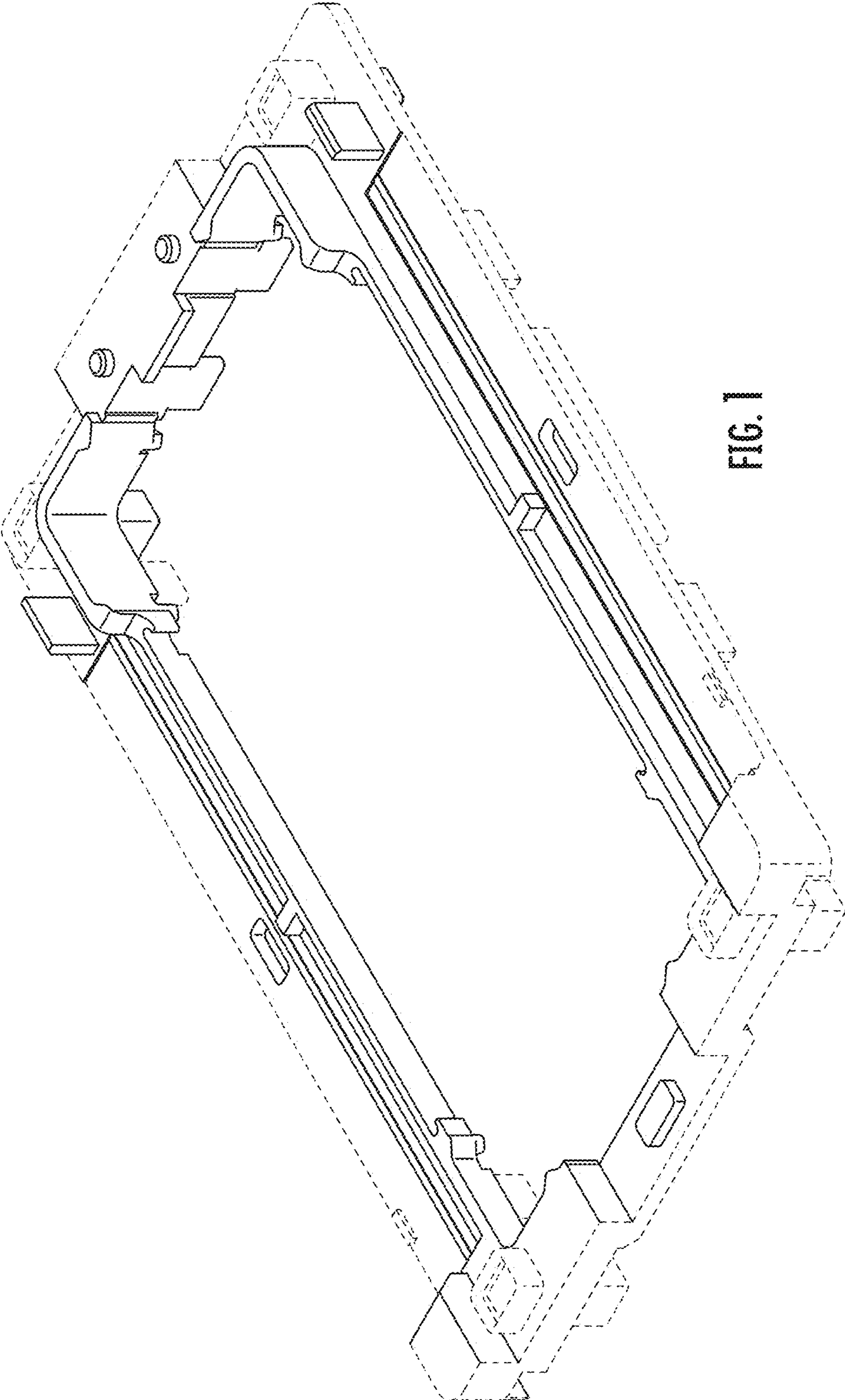


FIG. 1

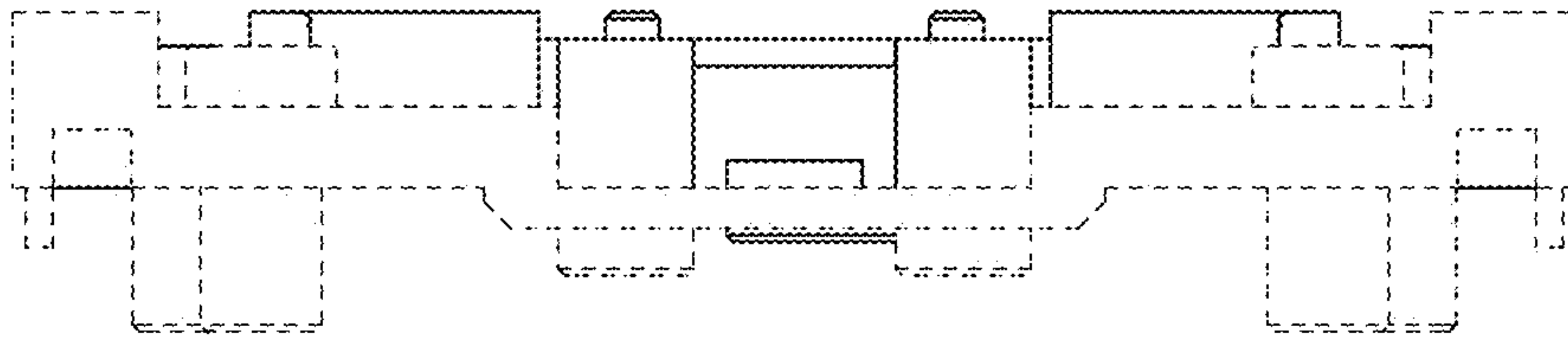


FIG. 2

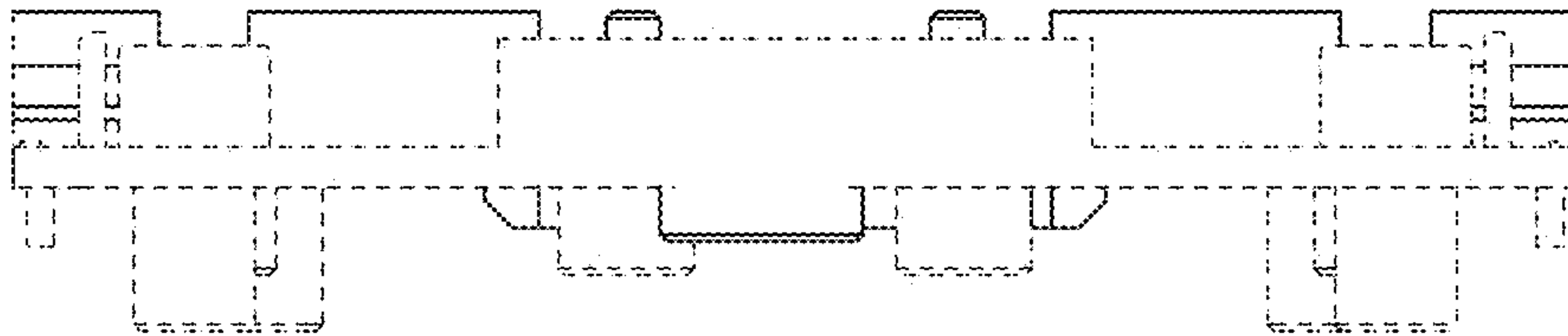


FIG. 3

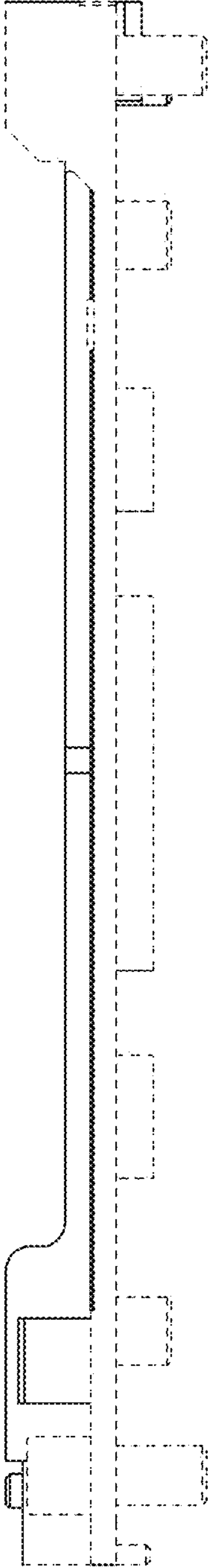


FIG. 4



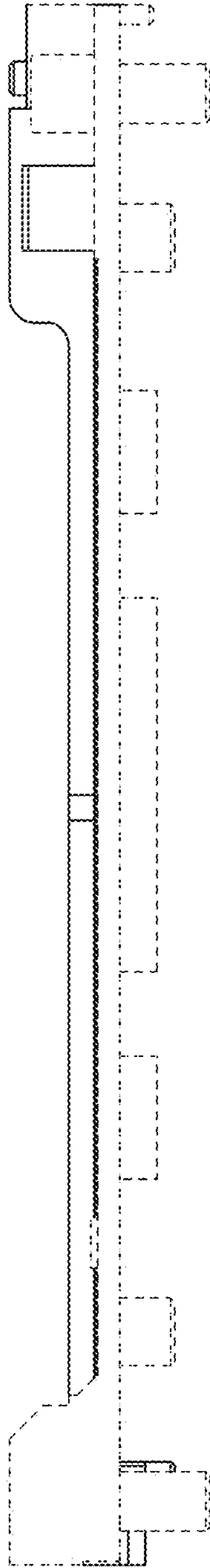


FIG. 5

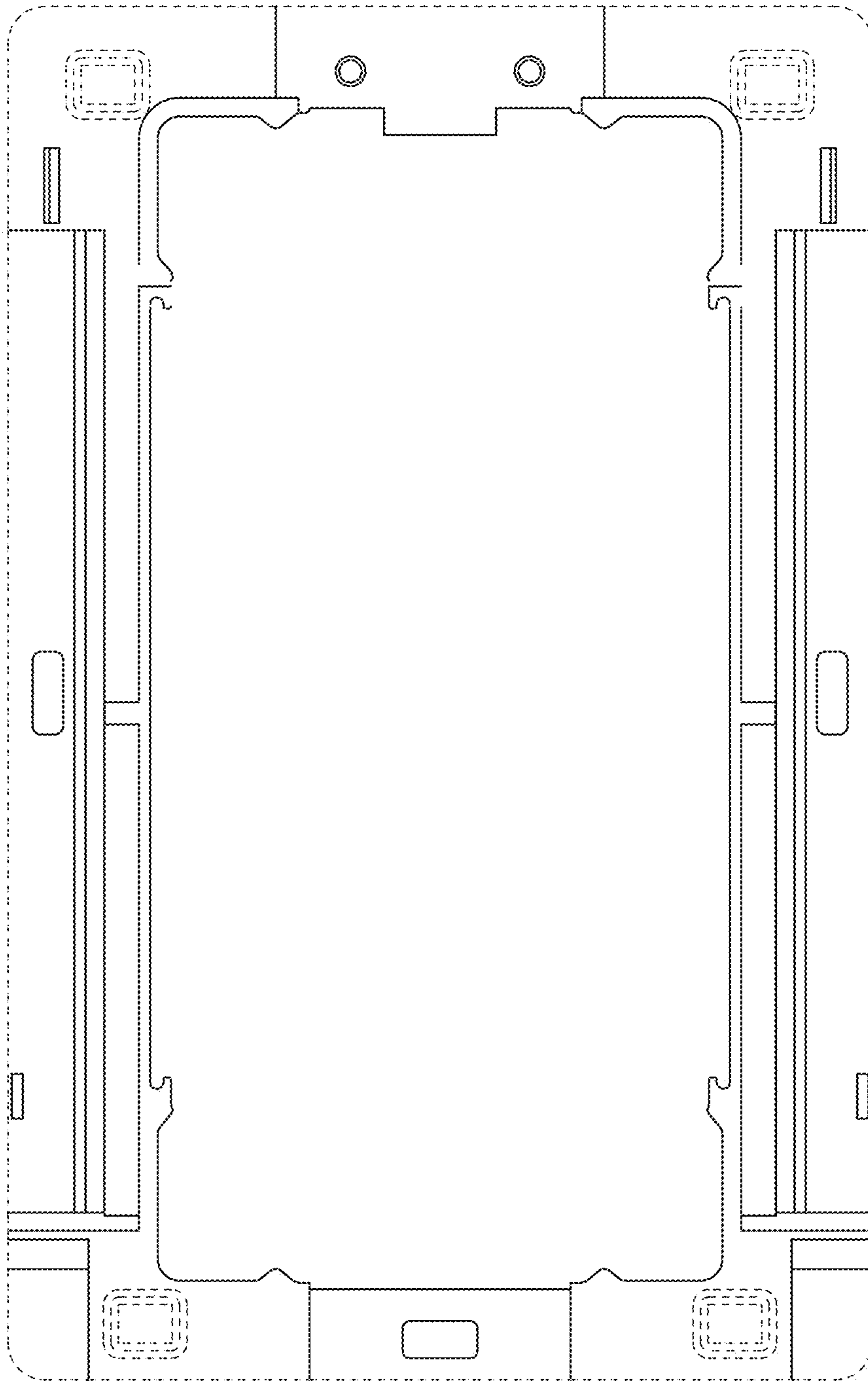


FIG. 6



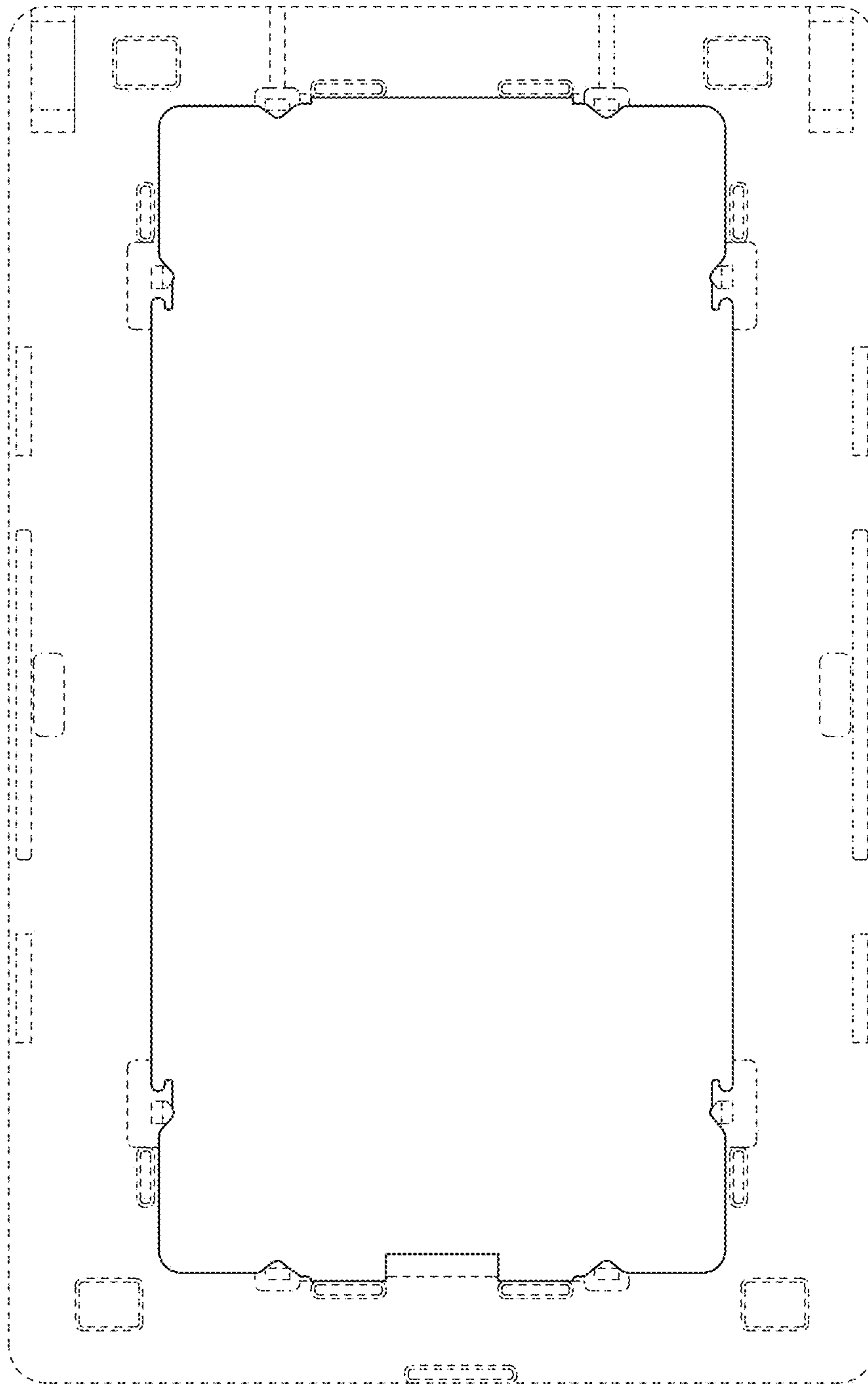


FIG. 7

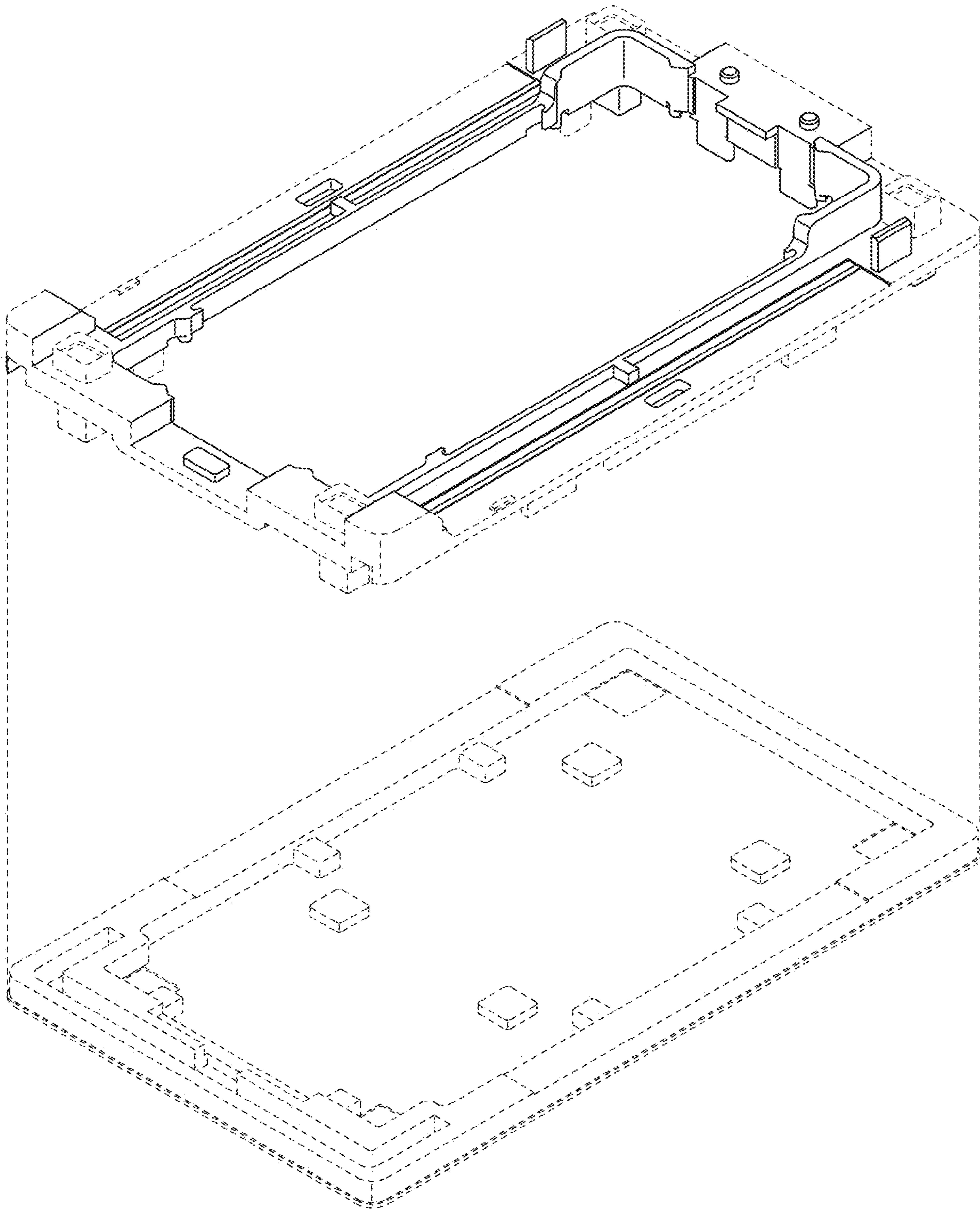


FIG. 8