



US00D939930S

(12) **United States Design Patent** (10) **Patent No.:** **US D939,930 S**
Ryu (45) **Date of Patent:** **** Jan. 4, 2022**

(54) **JIG FOR ATTACHING DISPLAY PROTECTION FILM**

FOREIGN PATENT DOCUMENTS

(71) Applicant: **Whitestone Co., Ltd.**, Cheonan-si (KR)

WO 2016008130 A1 1/2016

(72) Inventor: **Jong-Yun Ryu**, Seongnam-si (KR)

OTHER PUBLICATIONS

(73) Assignee: **Whitestone Co., Ltd.**, Cheonan-si (KR)

LOCA instructional YouTube Video, <https://www.youtube.com/watch?v=H18Sk61D4Is>, published on Nov. 8, 2015.

(**) Term: **15 Years**

(Continued)

(21) Appl. No.: **29/696,926**

Primary Examiner — Michael C Stout

(22) Filed: **Jul. 2, 2019**

Assistant Examiner — Benjamin M Weeks

(30) **Foreign Application Priority Data**

(74) *Attorney, Agent, or Firm* — Bishop, Diehl & Lee, Ltd.

Mar. 7, 2019 (KR) 30-2019-0010345

(51) **LOC (13) Cl.** **08-08**

(57) **CLAIM**

(52) **U.S. Cl.**

The ornamental design for a jig for attaching display protection film, as shown and described.

USPC **D8/349**

(58) **Field of Classification Search**

DESCRIPTION

USPC D8/354, 355, 330, 331, 333, 380;
D6/672, 684, 680, 683.1, 703.5

CPC F16B 5/00; F16B 5/02; F16B 12/50
See application file for complete search history.

FIG. 1 is a perspective view of a jig for attaching display protection film;

(56) **References Cited**

U.S. PATENT DOCUMENTS

D380,139 * 6/1997 Scott D8/349

D610,434 * 2/2010 Watts D8/349

D687,441 * 8/2013 Janzen D14/447

D729,611 * 5/2015 Schmidt D8/349

9,169,422 10/2015 O'Hare

9,248,628 2/2016 Honeycutt

9,868,274 1/2018 Kim

D817,149 * 5/2018 Ralph D8/349

D831,462 * 10/2018 McSweyn D8/349

10,091,341 * 10/2018 Cha G06F 1/1626

10,100,238 10/2018 Lu

2003/0121601 * 7/2003 Tajima G09F 7/18

156/254

FIG. 2 is a front view of the jig for attaching display protection film as shown in FIG. 1;

FIG. 3 is a rear view of the jig for attaching display protection film as shown in FIG. 1;

FIG. 4 is a left side view of the jig for attaching display protection film as shown in FIG. 1;

FIG. 5 is a right side view of the jig for attaching display protection film as shown in FIG. 1; and,

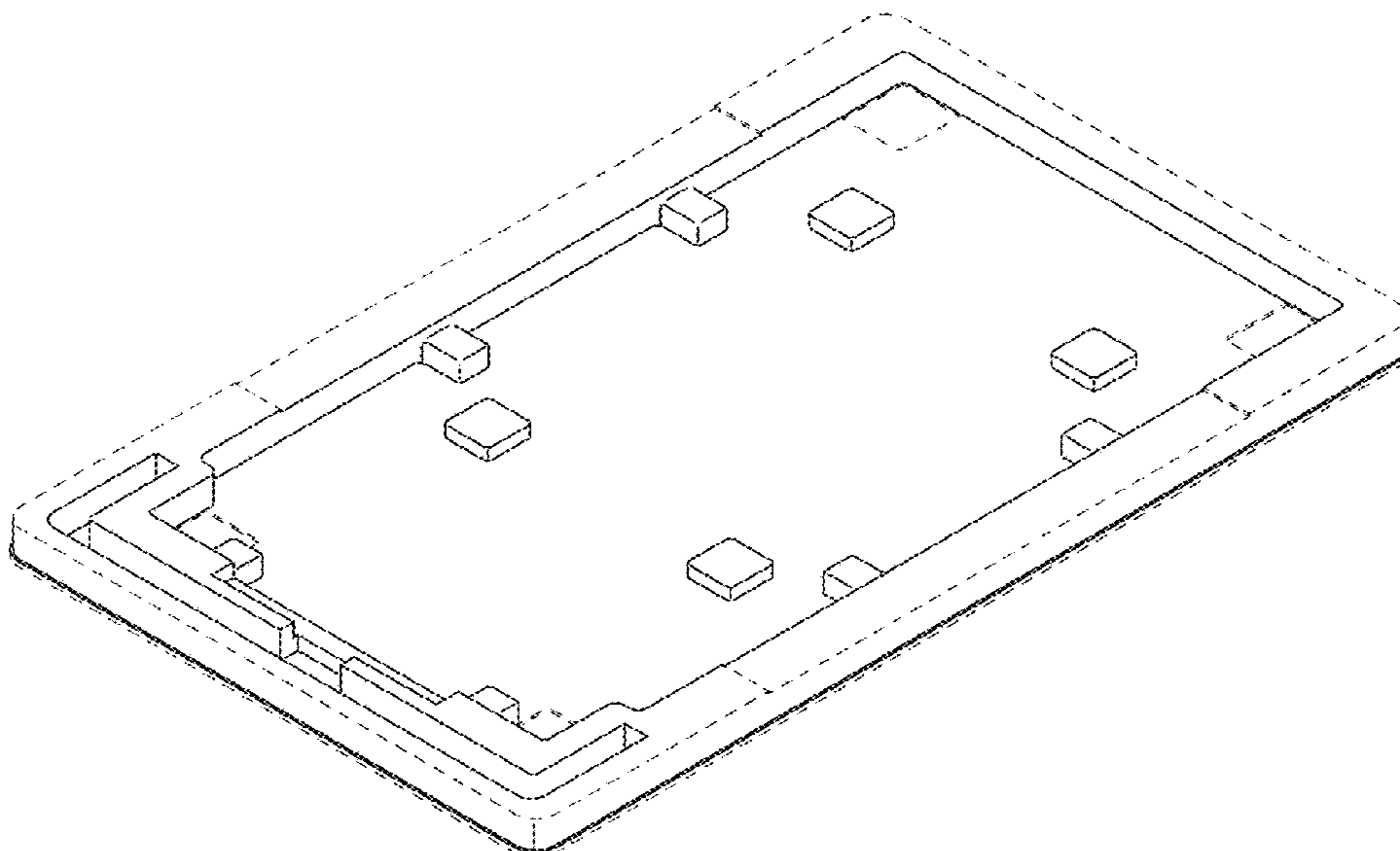
FIG. 6 is a top plan view of the jig for attaching display protection film as shown in FIG. 1; and,

FIG. 7 is a bottom view of the jig for attaching display protection film as shown in FIG. 1.

Any components in the drawings shown in broken lines are for illustrative purposes only and form no part of the claimed design.

(Continued)

1 Claim, 7 Drawing Sheets



(56)

References Cited

U.S. PATENT DOCUMENTS

2012/0229300	*	9/2012	Fu	F16M 11/10 340/901
2014/0047708	*	2/2014	Chae	B29C 63/0004 29/700
2015/0181345	*	6/2015	Cai	H04R 9/06 381/412
2015/0201256	*	7/2015	Xu	H04R 1/06 381/417
2015/0319535	*	11/2015	Xu	H04R 7/18 381/412
2016/0009024	*	1/2016	Mason	B29C 63/02 156/249
2017/0274635	*	9/2017	Lin	G06F 1/1637

OTHER PUBLICATIONS

LOCA instructional YouTube Video, https://www.youtube.com/watch?v=bv_Bj6RY-Nc, published on Nov. 22, 2013.

LOCA instructional YouTube Video, <https://www.youtube.com/watch?v=8e7pUESE2KE>, published on Apr. 24, 2014.

AmFilm's Full Screen (Edge to Edge) 3D Curved Tempered Glass Screen Protector for use with the Galaxy S6, Jul. 2015, available at <https://www.amazon.com/dp/B00ZEEXWHK#customerReviews>.

The Editorial Staff, Products on Display at Display Week 2012, May 1, 2012, SID 2012 International Symposium, Seminar, and Exhibition, available publicly at www.sid.org.

* cited by examiner

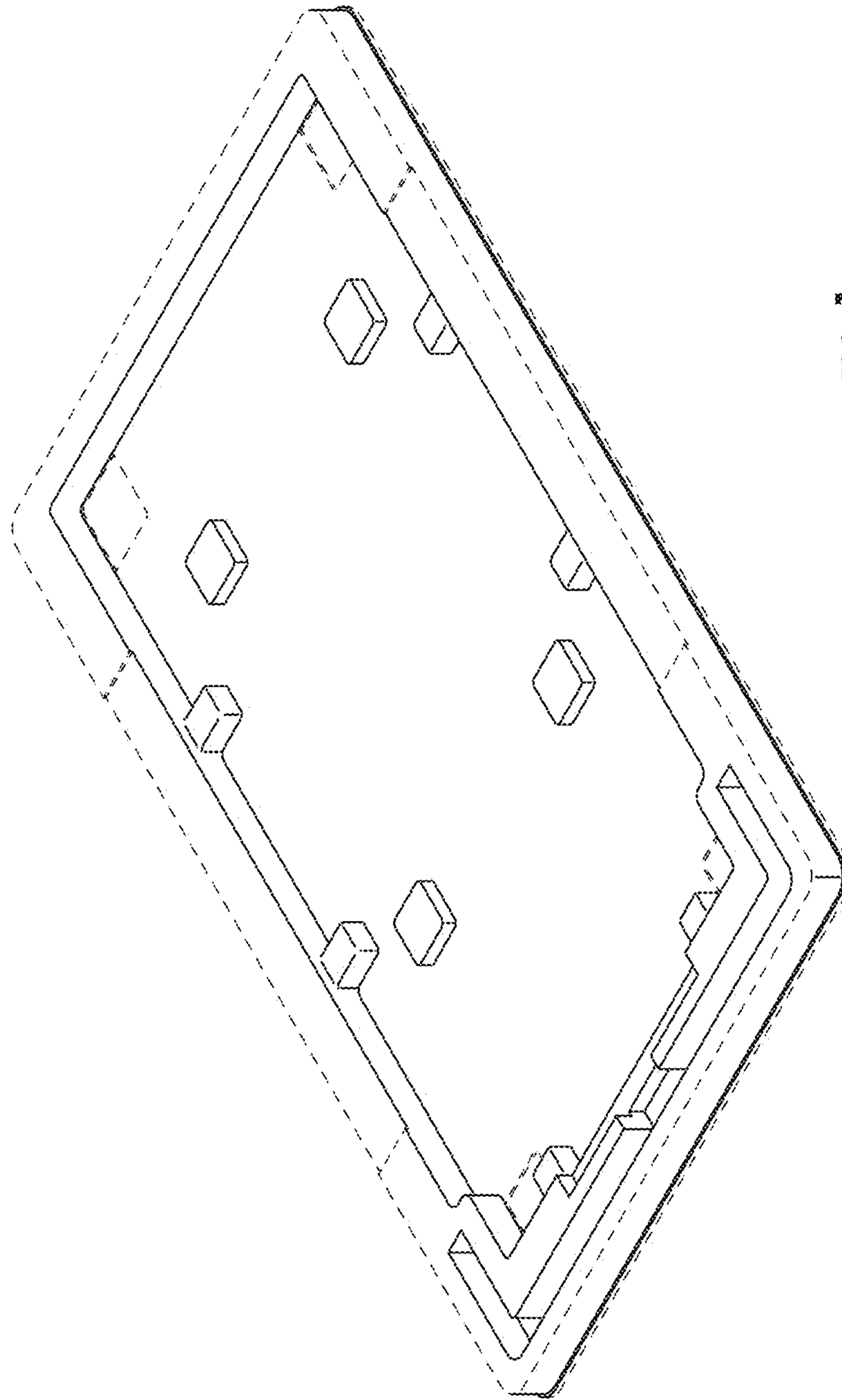


FIG. 1



FIG. 2

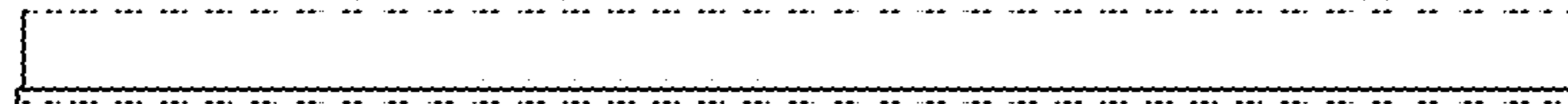


FIG. 3

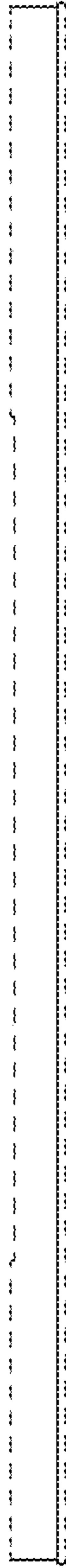


FIG. 4

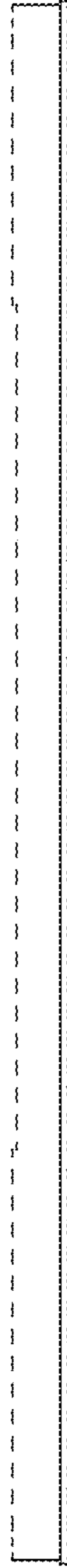


FIG. 5

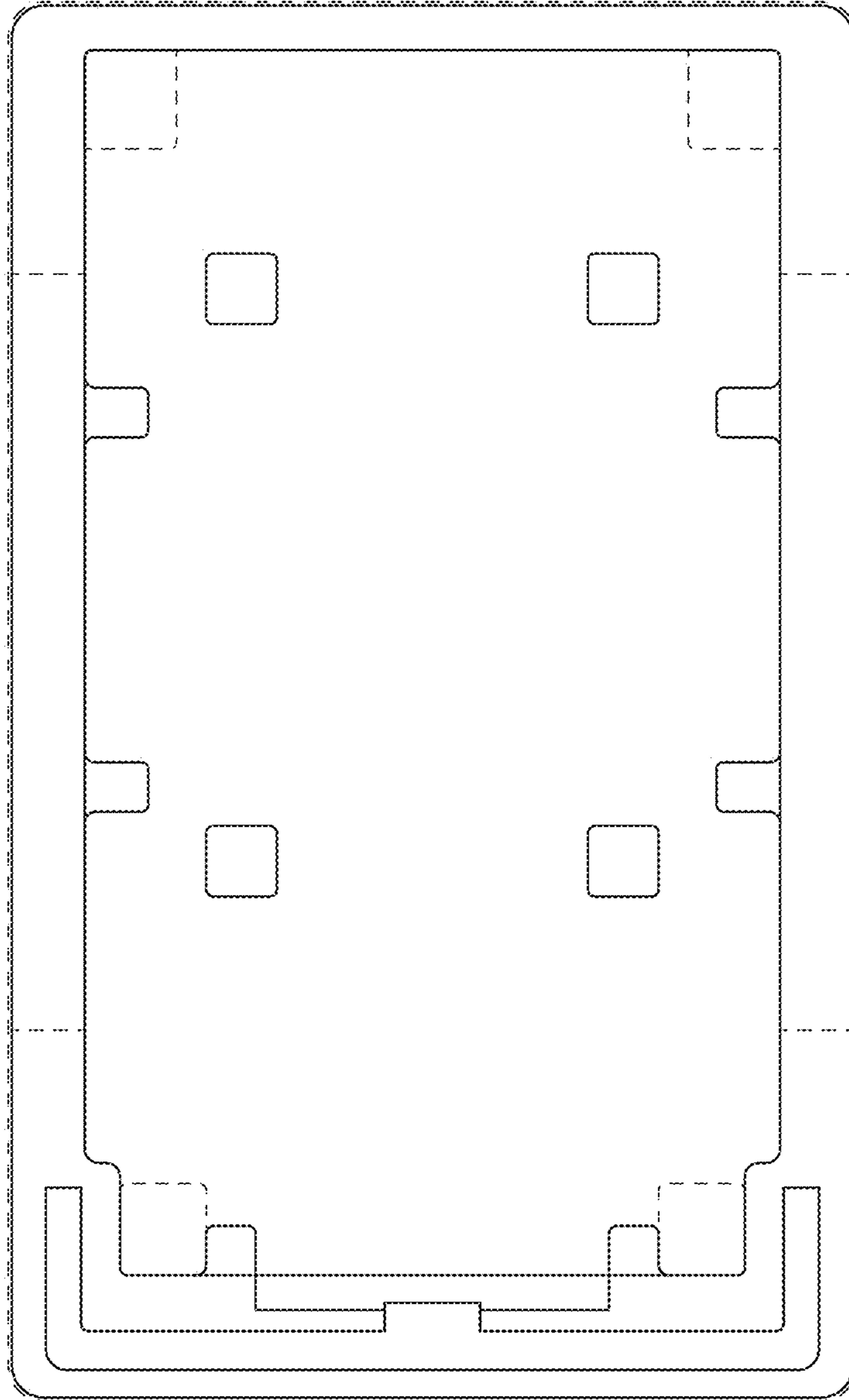


FIG. 6

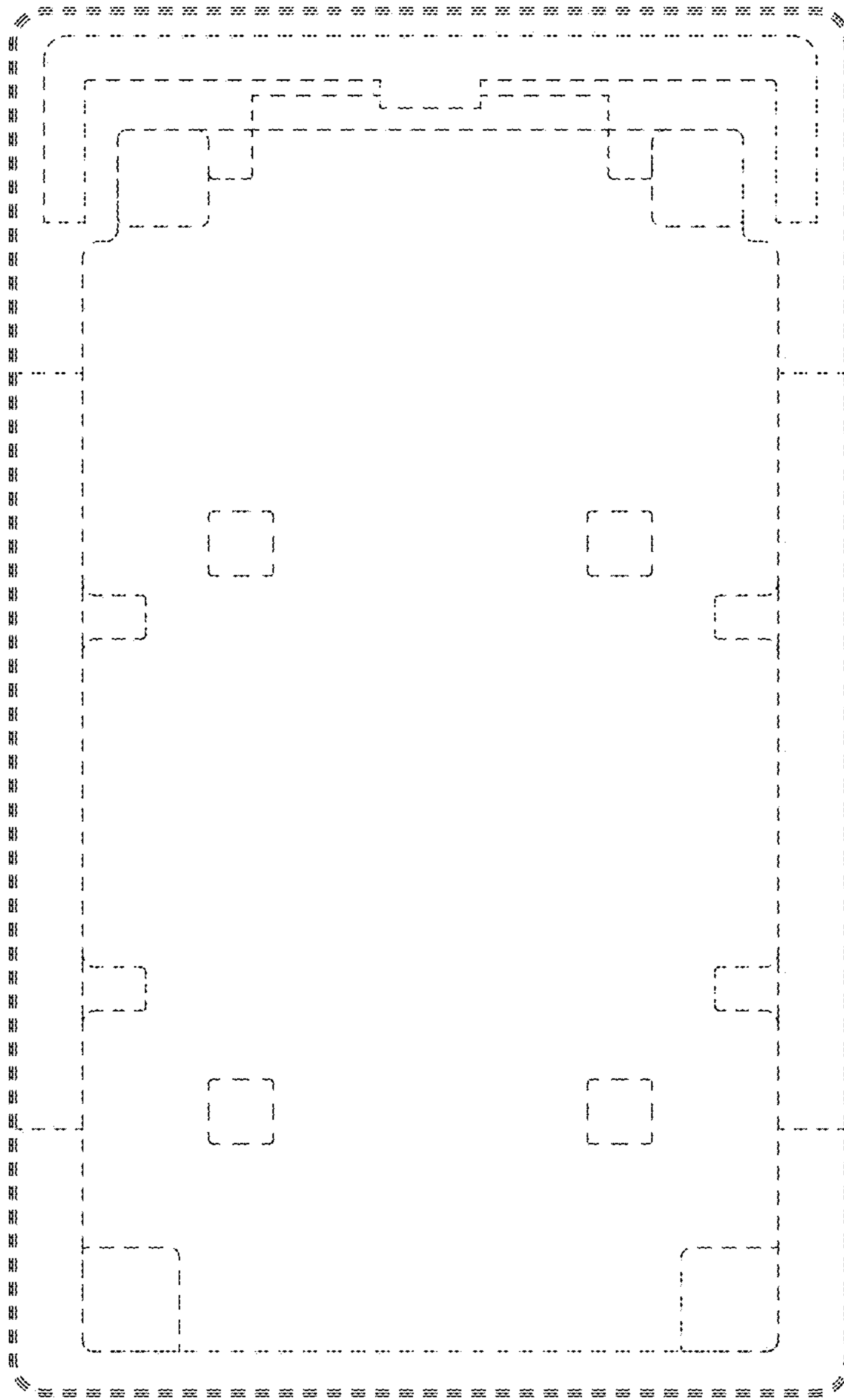


FIG. 7