



US00D939928S

(12) **United States Design Patent**
Campbell et al.

(10) **Patent No.:** **US D939,928 S**
(45) **Date of Patent:** **** Jan. 4, 2022**

(54) **KEY FOB**

(71) Applicants: **Corneal Campbell**, Detroit, MI (US);
Pete A. Lawlis, Beverly Hills, MI (US)

(72) Inventors: **Corneal Campbell**, Detroit, MI (US);
Pete A. Lawlis, Beverly Hills, MI (US)

(73) Assignee: **FCA US LLC**, Auburn Hills, MI (US)

(**) Term: **15 Years**

(21) Appl. No.: **29/729,260**

(22) Filed: **Mar. 25, 2020**

(51) **LOC (13) Cl.** **08-07**

(52) **U.S. Cl.**
USPC **D8/347**

(58) **Field of Classification Search**
USPC D8/347; D11/79
CPC G07C 2009/00984; G07C 9/00944; E05B
19/0082; A44B 15/005
See application file for complete search history.

(56) **References Cited**

U.S. PATENT DOCUMENTS

7,499,283 B2 * 3/2009 De Los Santos B60R 25/24
361/730
D635,841 S * 4/2011 Lindley D8/347

D657,229 S * 4/2012 Chang D8/347
8,742,924 B2 * 6/2014 Eisenman B60R 25/1003
340/539.13
9,129,458 B2 * 9/2015 Geldmacher H01H 13/86
9,918,524 B2 * 3/2018 Byrd G07C 9/00944
9,959,688 B2 * 5/2018 Saito G07C 9/00944
9,997,002 B2 * 6/2018 Stirtz H01H 9/0235

* cited by examiner

Primary Examiner — Doris Clark

(74) *Attorney, Agent, or Firm* — Ralph E. Smith

(57) **CLAIM**

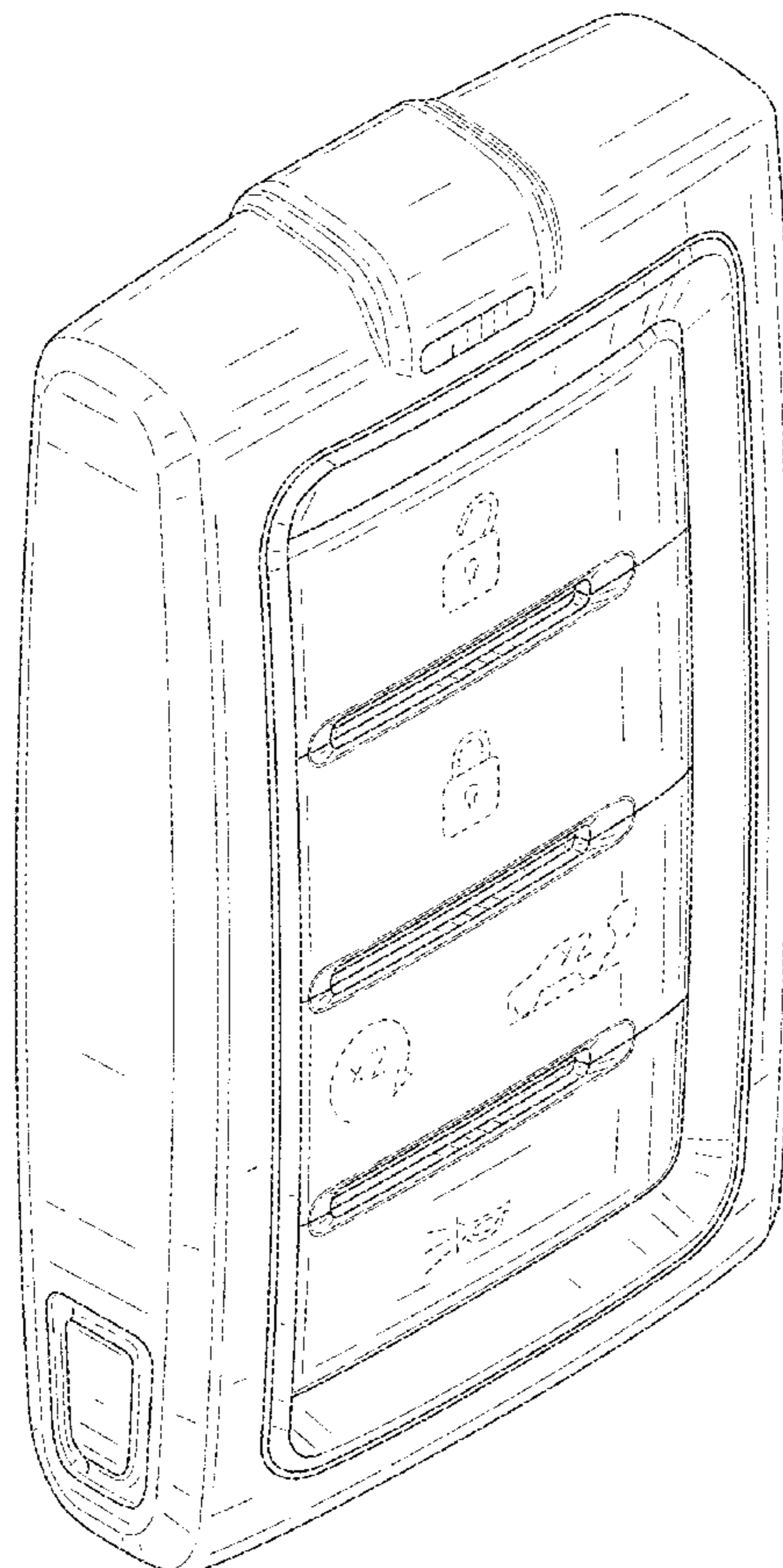
The ornamental design for a key fob, as shown and described.

DESCRIPTION

FIG. 1 is a front perspective view of a key fob showing our new design;
FIG. 2 is a front view thereof;
FIG. 3 is a back view thereof;
FIG. 4 is a side view thereof;
FIG. 5 is another side view thereof;
FIG. 6 is a top view thereof; and,
FIG. 7 is a bottom view thereof.

It will be understood that the broken lines shown in the drawings illustrate portions of the key fob that form no part of the claimed design.

1 Claim, 5 Drawing Sheets



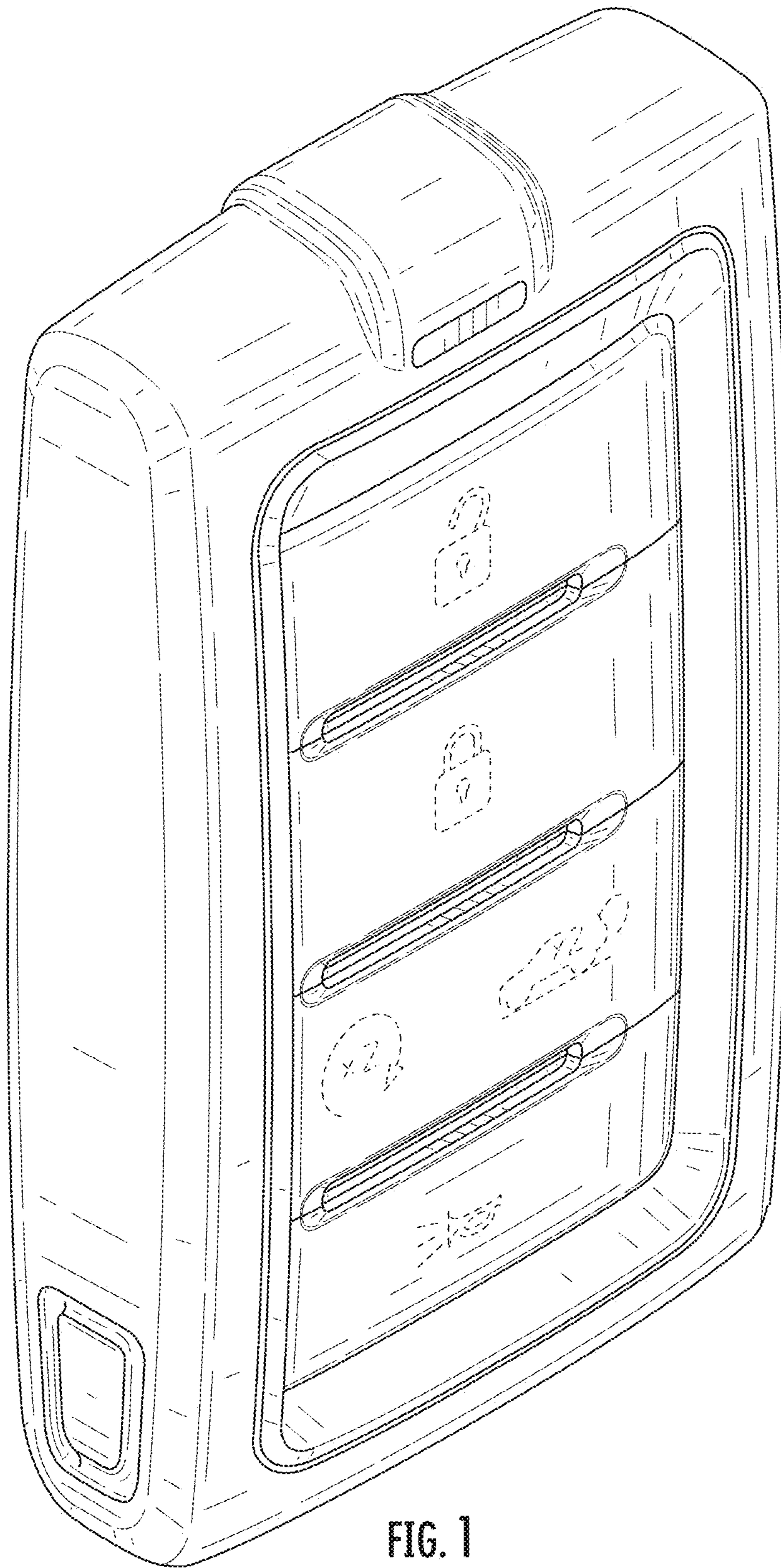


FIG. 1

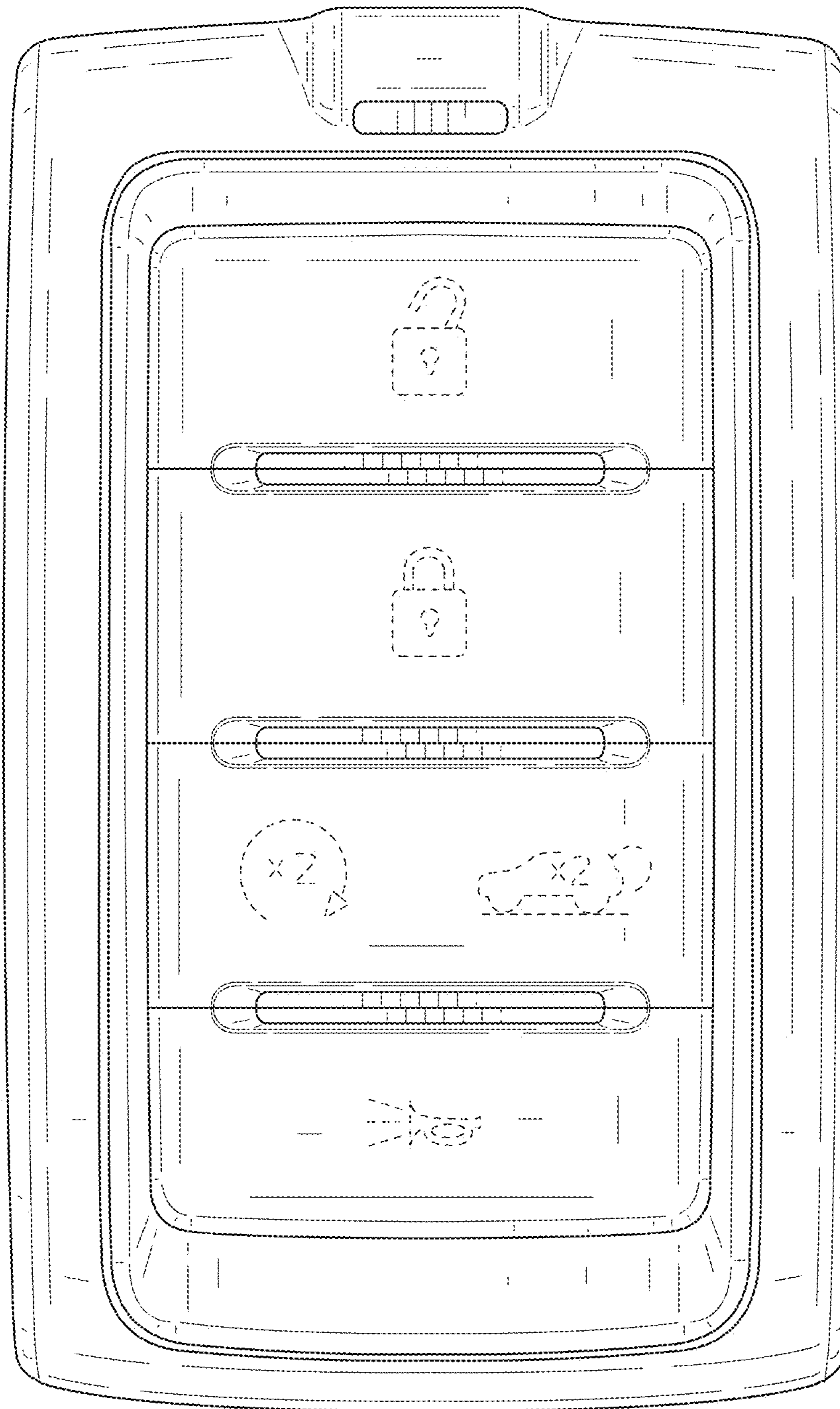


FIG. 2

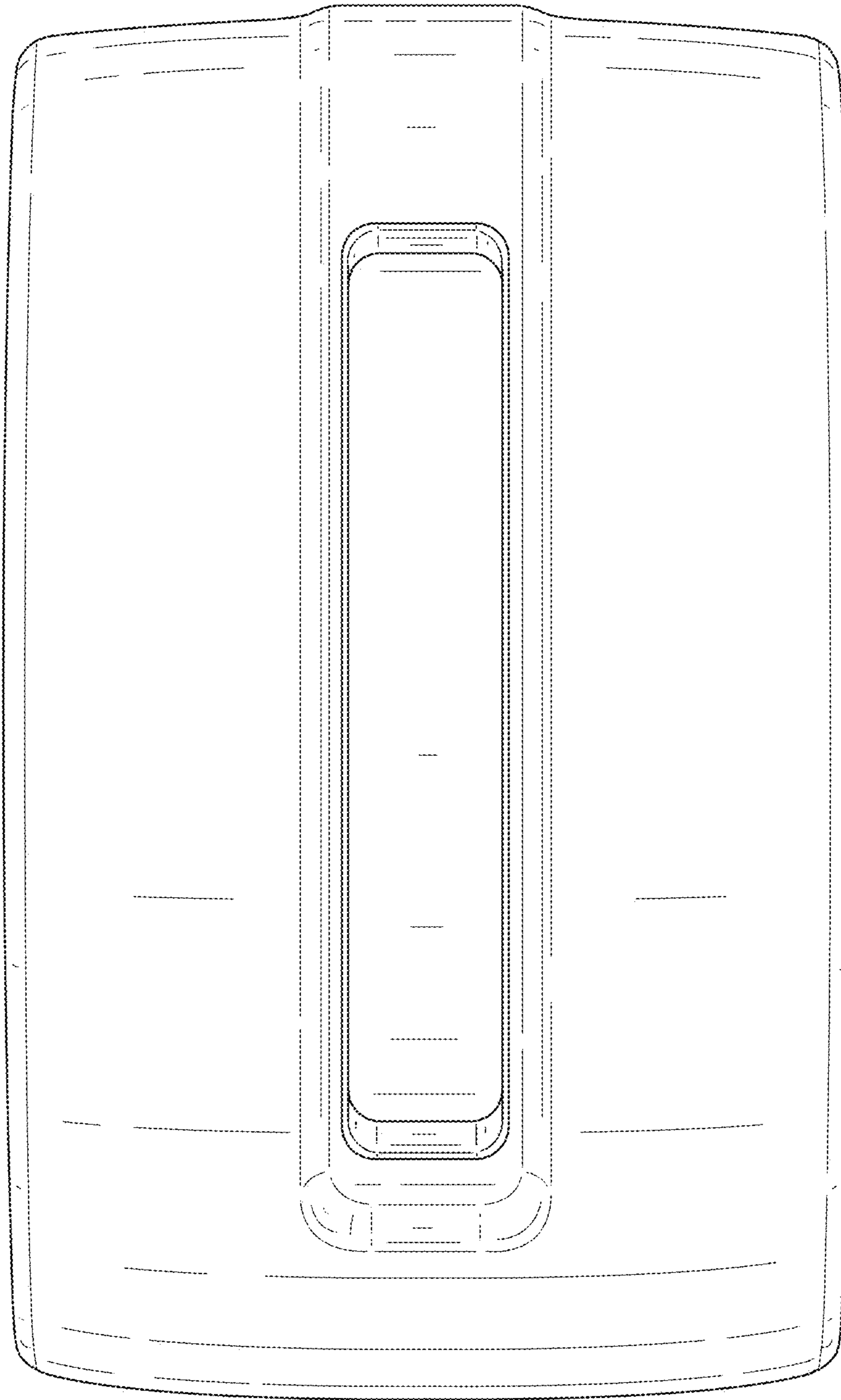


FIG. 3

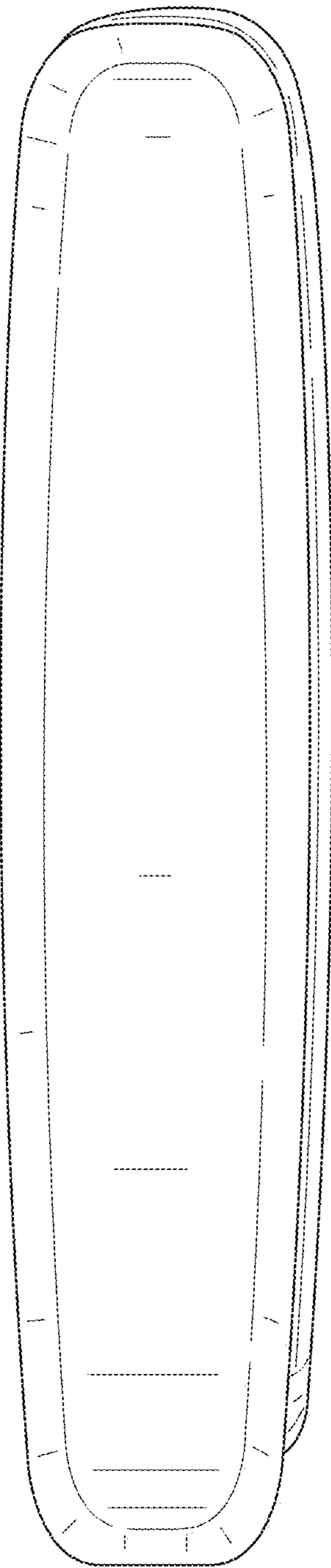


FIG. 4

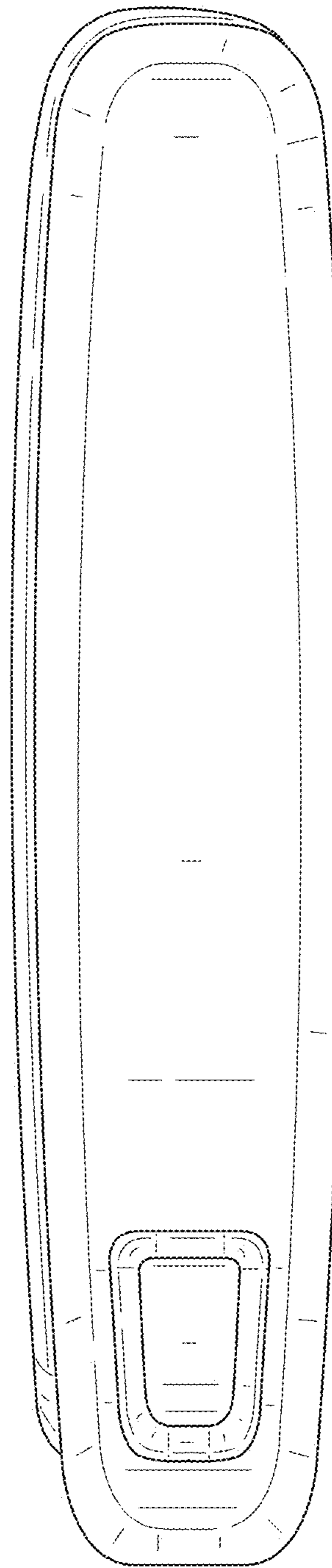


FIG. 5

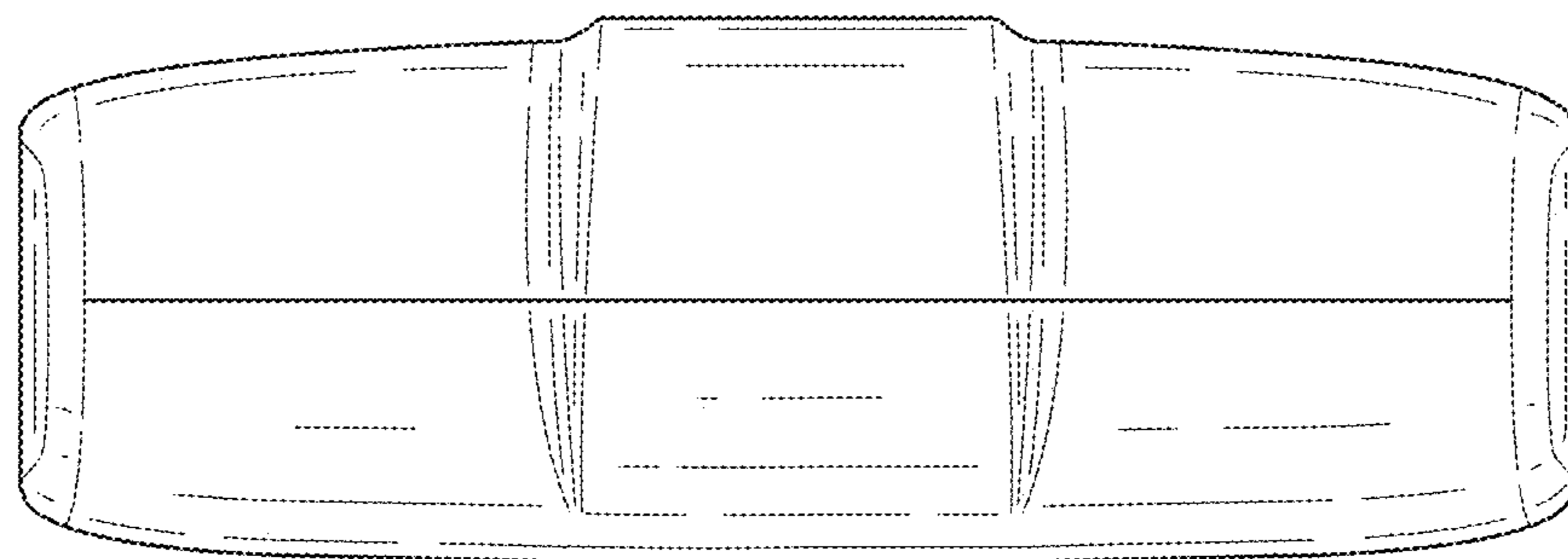


FIG. 6

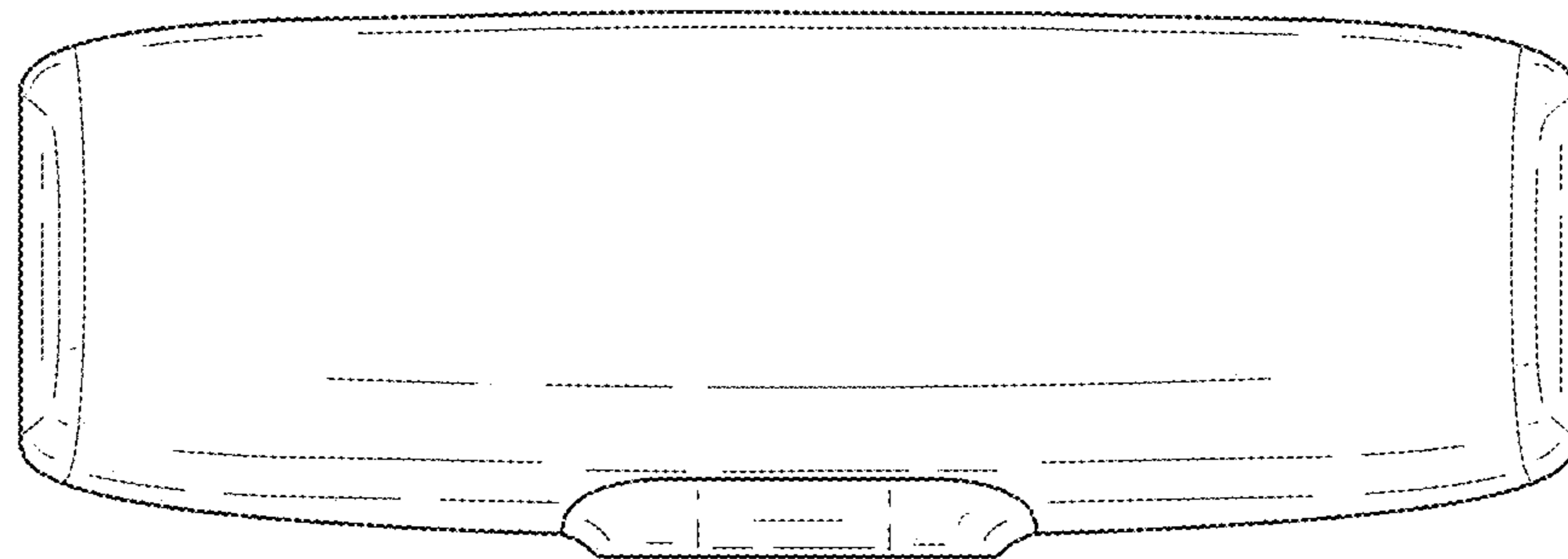


FIG. 7