



US00D939927S

(12) **United States Design Patent** (10) **Patent No.:** **US D939,927 S**  
**Minale et al.** (45) **Date of Patent:** **\*\* Jan. 4, 2022**

(54) **KEY BLANK**  
(71) Applicant: **Buster and Punch Limited**, Stamford (GB)  
(72) Inventors: **Massimo Buster Minale**, London (GB); **Iain Donald Dulley**, Winchester (GB)  
(73) Assignee: **Buster and Punch Limited**, Stamford (GB)

4,373,405 A 2/1983 Geil  
D284,259 S 6/1986 Oury  
D291,053 S 7/1987 Decursu  
D299,109 S 12/1988 Jans  
4,955,914 A 9/1990 Caniglia et al.  
D398,214 S 9/1998 Yui  
D405,342 S 2/1999 Thompson  
D405,743 S 2/1999 Hussaini  
D435,210 S 12/2000 Hussaini  
(Continued)

(\*\*) Term: **15 Years**

JP 702140 12/1986

(21) Appl. No.: **29/727,923**

OTHER PUBLICATIONS

(22) Filed: **Mar. 13, 2020**

“‘The Knot’ T Bar (Annex A)”, from Furnipart 2014/2015 International Catalog, (2014), 5 pgs.

(30) **Foreign Application Priority Data**

(Continued)

Sep. 13, 2019 (EM) ..... 006868196-0060

(51) **LOC (13) Cl.** ..... **08-07**

(52) **U.S. Cl.**  
USPC ..... **D8/347**

(58) **Field of Classification Search**  
USPC ..... D8/347  
CPC .... B23C 2235/28; B23C 2235/00; B23C 3/35  
See application file for complete search history.

*Primary Examiner* — Doris Clark  
(74) *Attorney, Agent, or Firm* — Schwegman Lundberg & Woessner, P.A.

(57) **CLAIM**

The ornamental design for a key blank, as shown and described.

(56) **References Cited**

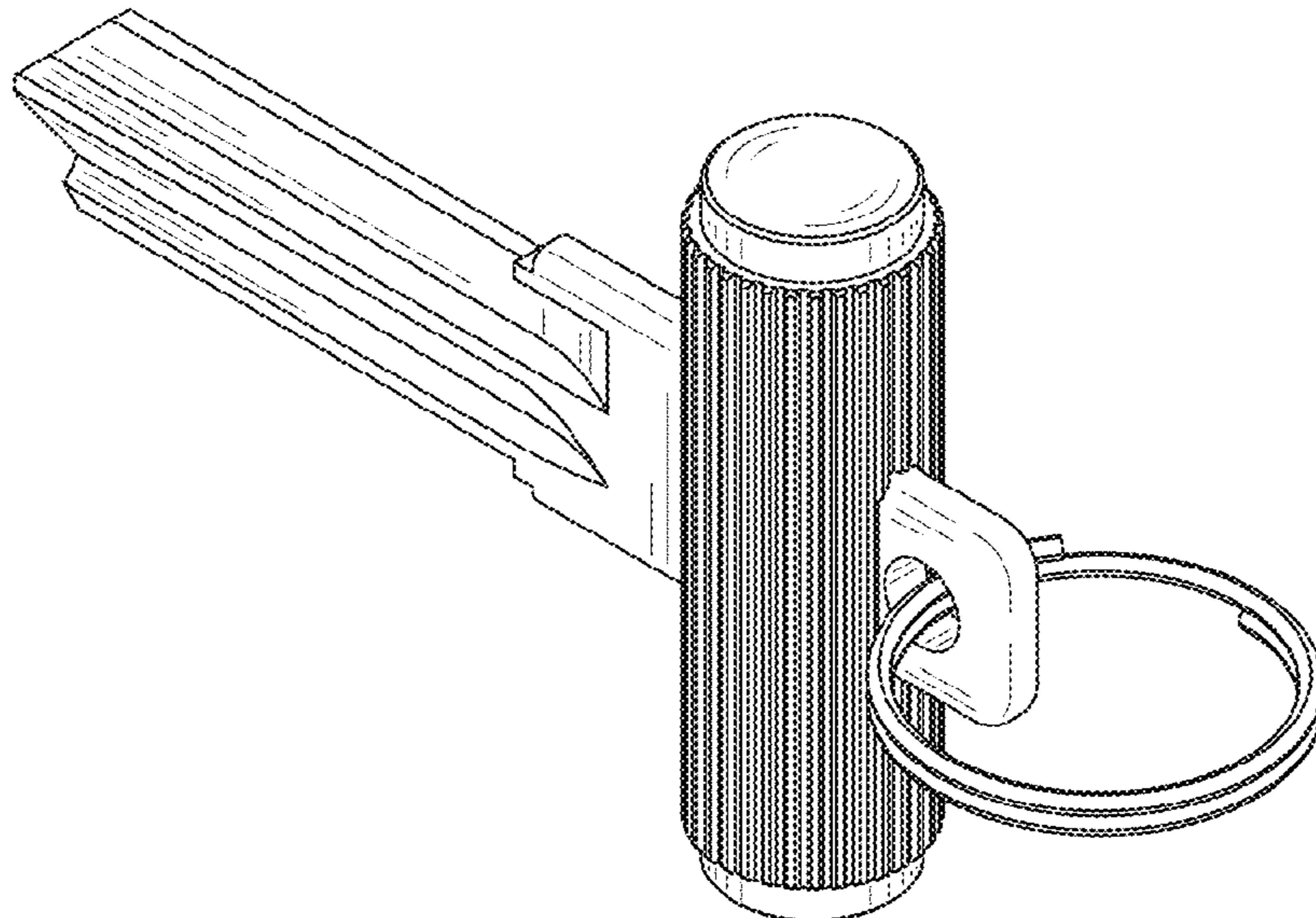
**DESCRIPTION**

U.S. PATENT DOCUMENTS

1,857,379 A 5/1932 Hubbell, Jr. et al.  
D103,024 S 2/1937 Loewy  
D110,213 S 6/1938 Hazenberg  
D131,090 S 1/1942 Schlage  
2,546,157 A 3/1951 Hume  
2,855,810 A \* 10/1958 Brunner ..... B21D 53/42  
76/110  
2,871,044 A 1/1959 Peterson et al.  
D238,549 S 1/1976 Fischer et al.  
4,087,187 A 5/1978 Asaro  
4,347,758 A 9/1982 Geil et al.

FIG. 1 is a top-front-left perspective view of a key blank, showing our new design;  
FIG. 2 is a front view thereof;  
FIG. 3 is a rear view thereof;  
FIG. 4 is a right side view thereof;  
FIG. 5 is a left side view thereof;  
FIG. 6 is a top view thereof; and,  
FIG. 7 is a bottom view thereof.  
The shade lines show surface contour and not surface ornamentation.

**1 Claim, 7 Drawing Sheets**



(56)

References Cited

U.S. PATENT DOCUMENTS

D438,775 S 3/2001 Magnusson  
 D445,735 S 7/2001 Sheu  
 6,392,170 B1 5/2002 Wechsler  
 D471,074 S 3/2003 Fields  
 D471,075 S 3/2003 Fields  
 D475,270 S 6/2003 Loyd et al.  
 6,710,273 B1 3/2004 Skarlupka et al.  
 6,713,693 B1 3/2004 Sadowski et al.  
 D489,602 S 5/2004 Menta  
 D500,241 S 12/2004 Choi  
 D504,309 S 4/2005 Fuchs  
 D504,804 S 5/2005 Chen  
 D505,139 S 5/2005 Jackovin  
 D511,290 S 11/2005 Coudurier  
 D513,237 S 12/2005 Langner et al.  
 D514,420 S 2/2006 Xu  
 D520,849 S 5/2006 Mentasti  
 7,044,020 B2 5/2006 Rosenthal  
 D549,383 S 8/2007 Duggan  
 D563,007 S 2/2008 Opolka  
 D564,336 S 3/2008 Mcconnell  
 D564,854 S 3/2008 Thompson  
 D569,219 S 5/2008 Sjoegren  
 D596,476 S 7/2009 Welch  
 D606,789 S 12/2009 Krumpe  
 D619,872 S 7/2010 Singtoroj  
 D627,441 S 11/2010 Sedwick  
 D633,875 S 3/2011 Bauer et al.  
 D637,884 S 5/2011 Trotta  
 7,977,594 B1 7/2011 Miserendino et al.  
 D648,204 S 11/2011 Parvey  
 D680,407 S 4/2013 Ramsland et al.  
 D680,417 S \* 4/2013 Crepinsek ..... D8/347  
 D680,848 S 4/2013 Jou  
 D695,587 S 12/2013 Palione  
 D697,661 S 1/2014 Sabernig  
 D698,219 S 1/2014 Lee  
 D702,527 S \* 4/2014 Yashar ..... D8/347  
 9,073,133 B1 \* 7/2015 Mueller ..... B23C 3/35  
 D737,652 S 9/2015 Harden et al.  
 D738,468 S 9/2015 Bahler  
 D740,099 S 10/2015 Chang  
 9,331,688 B2 5/2016 Moreau et al.  
 D758,825 S 6/2016 Nesbitt  
 D765,527 S 9/2016 Arai et al.  
 D768,626 S 10/2016 Mikelson et al.  
 D776,628 S 1/2017 Minale  
 D777,008 S 1/2017 Nesbitt  
 D781,126 S 3/2017 Pionek et al.  
 9,586,272 B1 \* 3/2017 Mueller ..... B23C 3/35  
 D787,296 S 5/2017 Ziimmer  
 D788,566 S 6/2017 Wang  
 9,677,705 B2 6/2017 Cen  
 9,683,771 B2 6/2017 Anselmino et al.  
 D794,884 S 8/2017 Ayers  
 9,726,422 B2 8/2017 Tunzi  
 D798,396 S 9/2017 Agate et al.  
 D801,289 S 10/2017 Minale et al.  
 9,823,683 B2 11/2017 Livolsi  
 D807,308 S 1/2018 Johnson et al.  
 D809,169 S 1/2018 Grandadam  
 D813,005 S 3/2018 Dovellos  
 9,919,368 B2 \* 3/2018 Widen ..... B23D 1/16  
 D824,076 S 7/2018 Sonneman  
 D829,076 S 9/2018 Dulley et al.  
 D829,527 S 10/2018 Kang et al.  
 D829,866 S 10/2018 Kirar  
 D830,521 S 10/2018 Kirar et al.  
 D831,879 S 10/2018 Minale  
 D833,056 S 11/2018 Sonneman  
 D834,394 S 11/2018 Kang et al.  
 D836,820 S 12/2018 Sonneman  
 D838,402 S 1/2019 Sonneman  
 D838,572 S 1/2019 Su  
 D842,073 S 3/2019 Minale

10,316,547 B2 \* 6/2019 Ulrich ..... E05B 35/001  
 D862,195 S 10/2019 Dulley  
 D867,101 S 11/2019 Minale et al.  
 D869,931 S 12/2019 Dulley et al.  
 10,967,417 B2 \* 4/2021 Page ..... B21D 43/22  
 2004/0245080 A1 12/2004 Turner  
 2005/0045464 A1 3/2005 Eisenhower  
 2005/0211696 A1 9/2005 Adamski  
 2006/0086127 A1 4/2006 Anselmino et al.  
 2006/0237294 A1 10/2006 Greer  
 2010/0019516 A1 1/2010 Williamson  
 2011/0314860 A1 12/2011 Tafoya et al.  
 2013/0092646 A1 4/2013 Wang  
 2014/0096761 A1 4/2014 Brantley et al.  
 2014/0210331 A1 7/2014 Tunzi  
 2015/0331441 A1 11/2015 Ho et al.  
 2016/0145896 A1 5/2016 Ulrich et al.  
 2017/0365114 A1 12/2017 Bettencourt et al.

OTHER PUBLICATIONS

“Athena Door Handle (Annex A)”, from the Summer 2012 Zoo Architectural Hardware Catalog, (2012), 3 pgs.  
 “Cabinet Knobs, Ottostumm/Piet Boon”, [online]. [retrieved on Dec. 28, 2018]. Retrieved from the Internet: <URL: [http:// static1.squarespace.com](http://static1.squarespace.com)>.  
 “Chrome Dome on Fender Bass Guitar (Annex A)”, Fender Price List, (2011), 5 pgs.  
 “Control Knob—Replica Fender Guitar (Annex C)”, (2016), 3 pgs.  
 “Eros Door Handle (Annex B)”, from the Summer 2012 Zoo Architectural Hardware Catalog, 3 pgs.  
 “Knurled Cupboard Knob 28mm (Annex A)”, (First image is from the SDS London Architectural Ironmongery Facebook post dated Sep. 13, 2011; second image is from the SDS London Architectural Ironmongery website accessed on Jun. 8, 2016), (2011 / 2016), 2 pgs.  
 “Knurled/Textured Cabinet Handle”, Enmoo HW store. [online]. [retrieved on Jan. 6, 2019]. Retrieved from the Internet: <URL: <http://allexpress.com>>, (2019), 7 pgs.  
 “Philadelphia Door Handle (Annex C)”, from the Eurospec 2014/2015 Catalog, 5 pgs.  
 “Pull Bar, Buster & Punch”, [online]. [retrieved Apr. 16, 2018]. Retrieved from the Internet: <URL: <http://busterandpunch.com>>, (2018), 8 pgs.  
 “Sparbrook Pull (Annex A)”, (First image is from the Armac Martin Instagram post dated Mar. 4, 2016; second image is from the Armac Martin website accessed Jun. 8, 2016), (2016), 3 pgs.  
 “Sparkbrook T-Bar (Annex B)”, (The first image is from The Arnac Martin Instagram post dated Mar. 4, 2016; the second image is from The Arnac Martin website accessed on Jun. 8, 2020), (2016/2020), 3 pgs.  
 “T-Bar Handle with specifications”, Buster and Punch [online]. [retrieved on Dec. 28, 2018]. Retrieved from the Internet: <URL: <https://busterandpunch.com>, (2018), 4 pgs.  
 “The Nanz 8180WN (Annex C)”, from the Nanz Studio Line 2012 Catalog, (2012), 3 pgs.  
 Dulley, Iain, et al., “European Union Registered Community Design No. 003386952-0001”, Registrant: Buster and Punch Limited, (Sep. 20, 2016), 8 pgs.  
 Dulley, Iain, et al., “European Union Registered Community Design No. 003386952-0002”, Registrant: Buster and Punch Limited, (Sep. 20, 2016), 7 pgs.  
 Dulley, Iain, et al., “European Union Registered Community Design No. 003386952-0003”, Registrant: Buster and Punch Limited, (Sep. 20, 2016), 8 pgs.  
 Dulley, Iain, et al., “European Union Registered Community Design No. 003386952-0004”, Registrant: Buster and Punch Limited, (Sep. 20, 2016), 8 pgs.  
 Dulley, Iain, et al., “European Union Registered Community Design No. 003386952-0005”, Registrant: Buster and Punch Limited, (Sep. 20, 2016), 8 pgs.  
 Dulley, Iain, et al., “European Union Registered Community Design No. 003386952-0006”, Registrant: Buster and Punch Limited, (Sep. 20, 2016), 8 pgs.

(56)

**References Cited**

OTHER PUBLICATIONS

Dulley, Iain, et al., "European Union Registered Community Design No. 003386952-007", Registrant: Buster and Punch Limited, (Sep. 20, 2016), 8 pgs.

Dulley, Iain, et al., "European Union Registered Community Design No. 003386952-008", Registrant: Buster and Punch Limited, (Sep. 20, 2016), 8 pgs.

Dulley, Iain, et al., "European Union Registered Community Design No. 003386952-009", Registrant: Buster and Punch Limited, (Sep. 20, 2016), 8 pgs.

Minale, Massimo, et al., "European Union Registered Community Design No. 03124122-0001", Registrant: Buster and Punch Limited, (May 12, 2016), 9 pgs.

Minale, Massimo, et al., "European Union Registered Community Design No. 03124122-0002", Registrant: Buster and Punch Limited, (May 12, 2016), 7 pgs.

Minale, Massimo, et al., "European Union Registered Community Design No. 03124122-0003", Registrant: Buster and Punch Limited, (May 12, 2016), 9 pgs.

Minale, Massimo, et al., "European Union Registered Community Design No. 03124122-0004", Registrant: Buster and Punch Limited, (May 12, 2016), 7 pgs.

\* cited by examiner

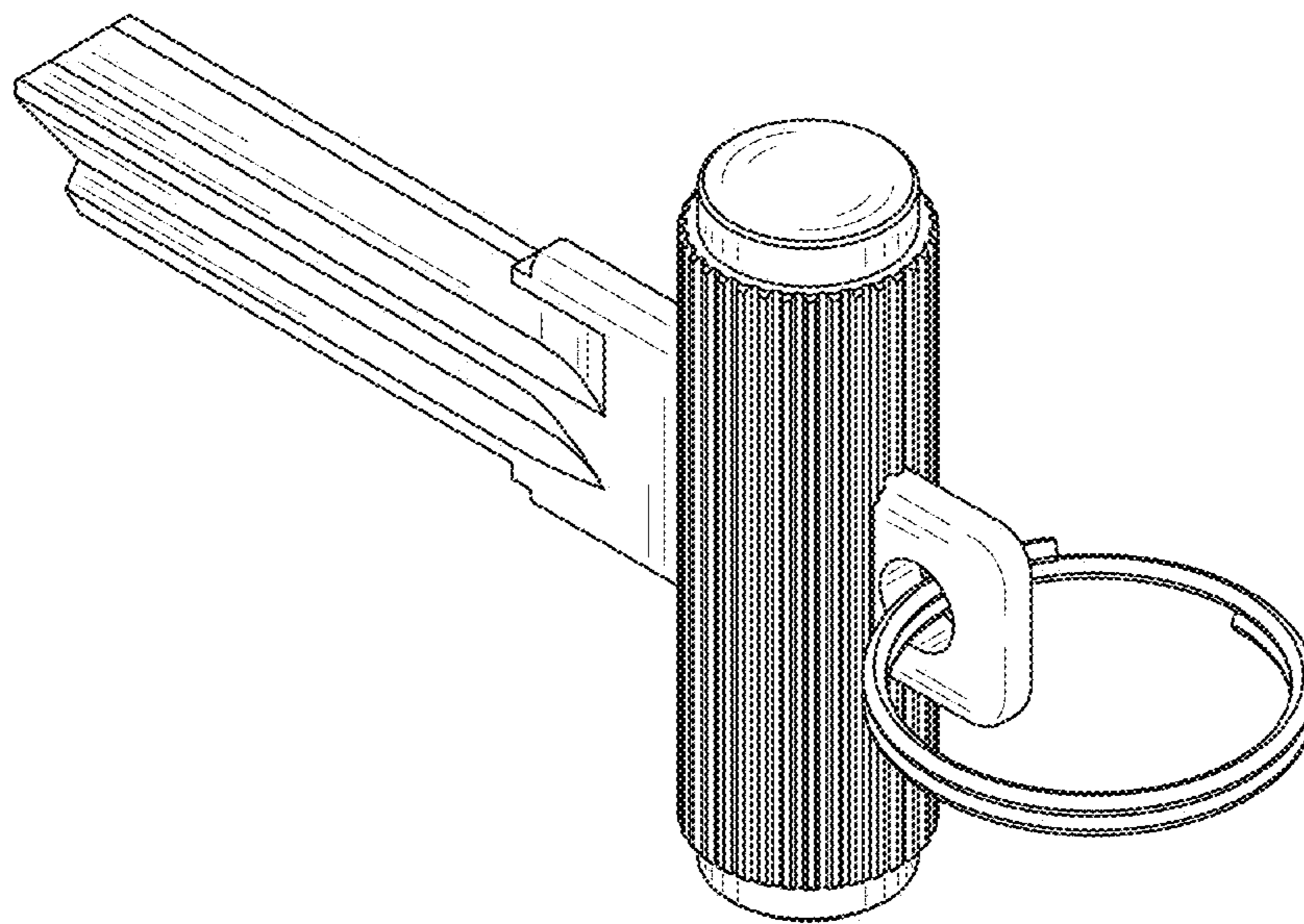


FIG. 1

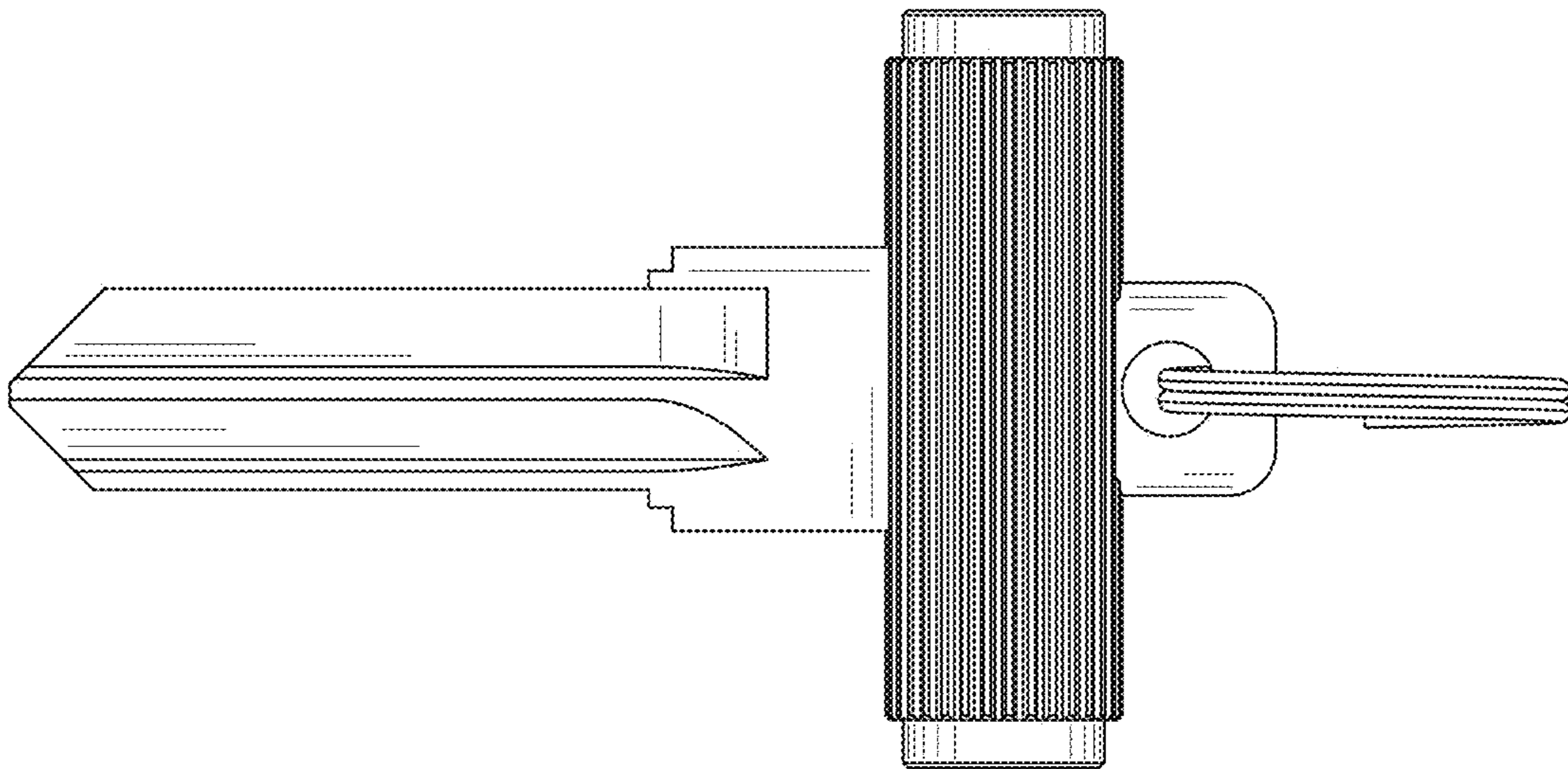


FIG. 2

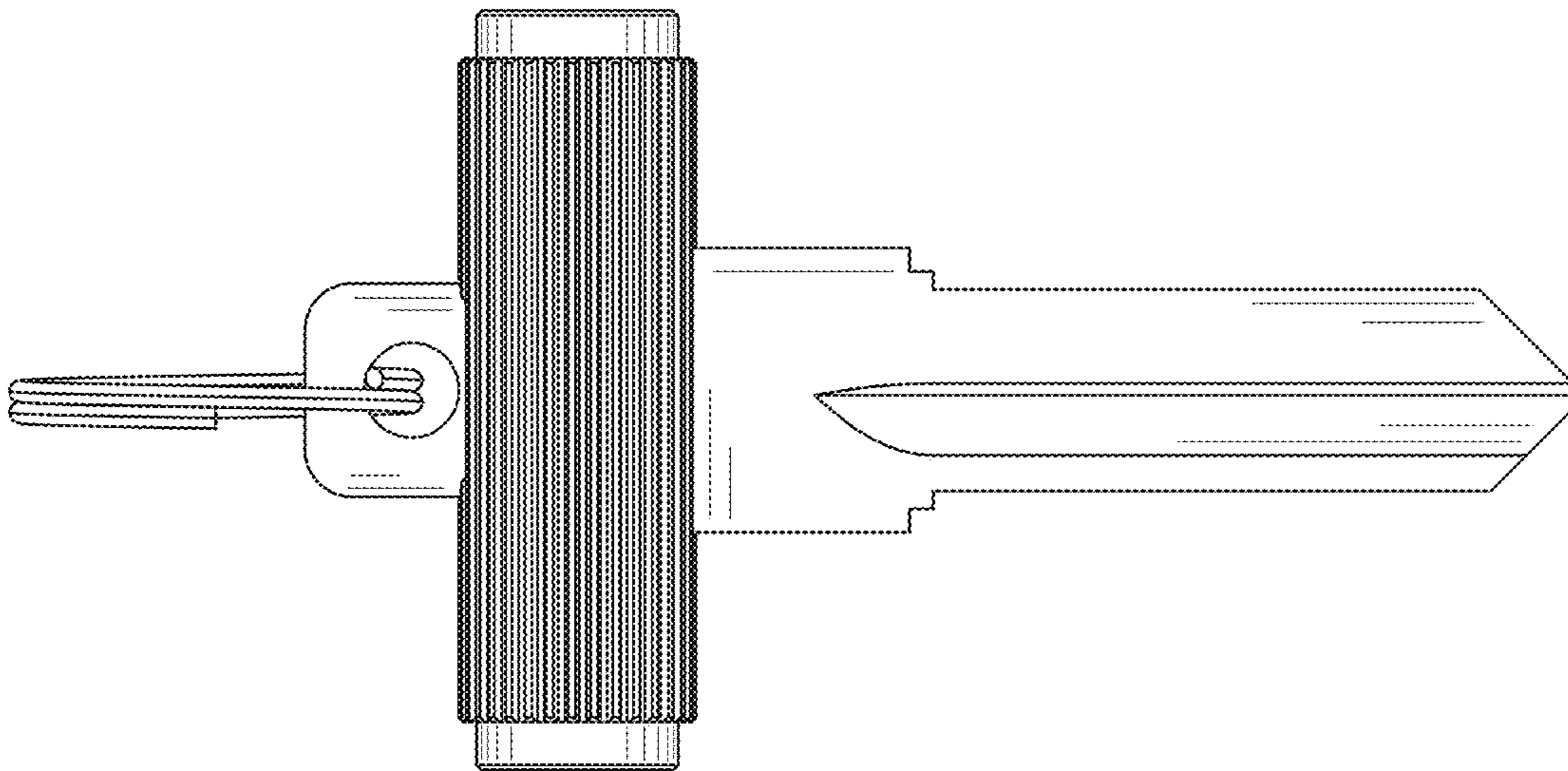


FIG. 3

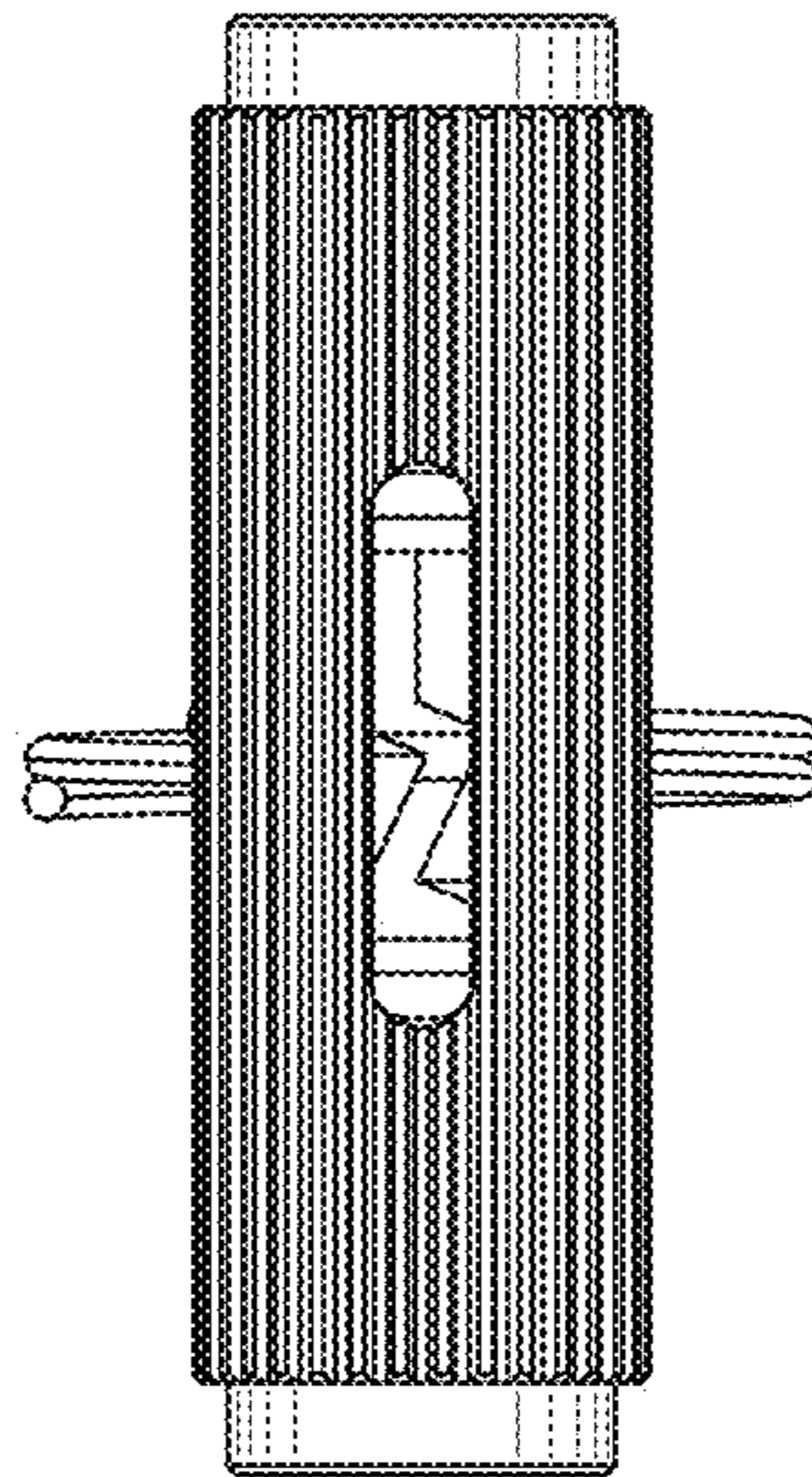


FIG. 4

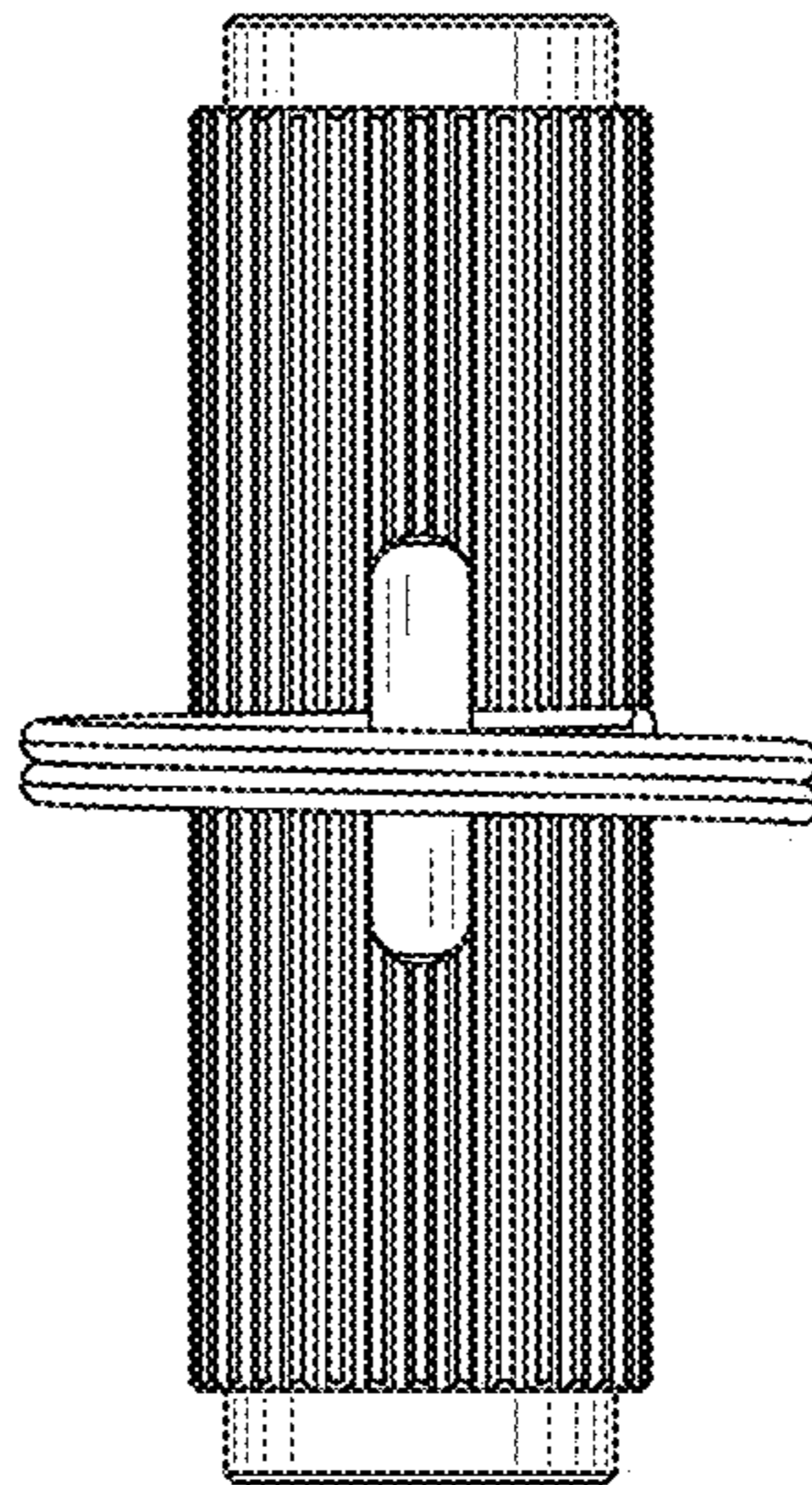


FIG. 5



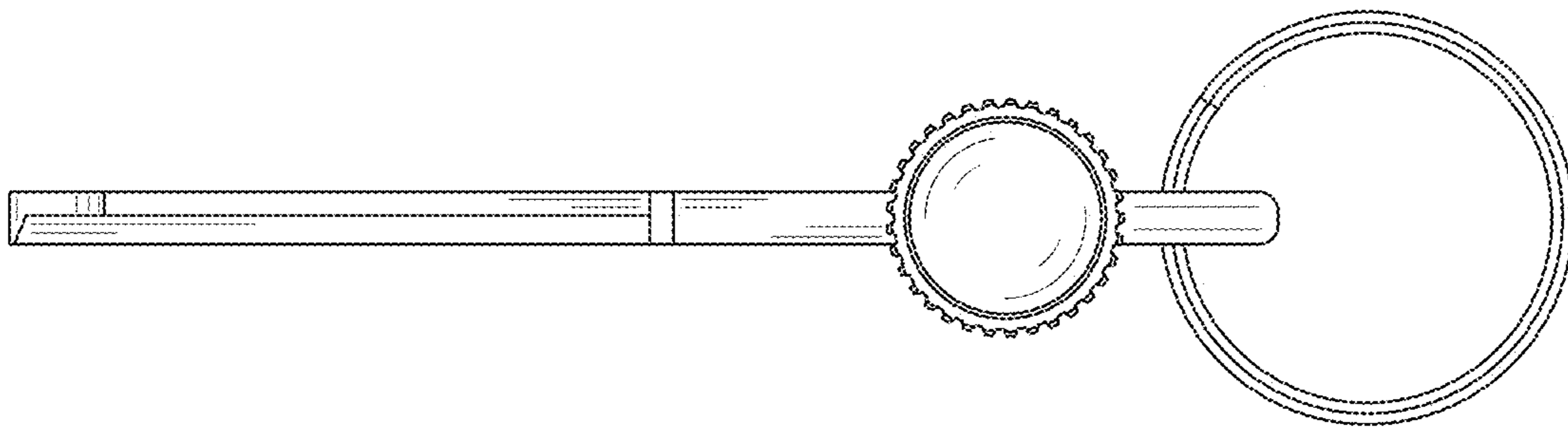


FIG. 6

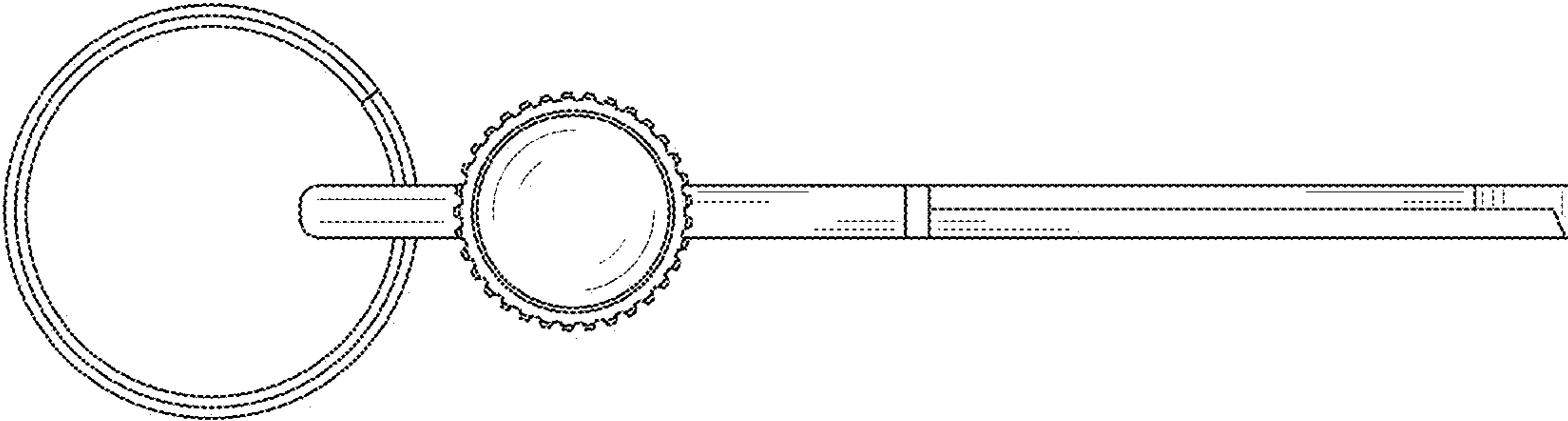


FIG. 7