

US00D939926S

(12) **United States Design Patent**
Löfberg et al.

(10) **Patent No.:** **US D939,926 S**
(45) **Date of Patent:** **** Jan. 4, 2022**

(54) **ELECTRONIC KEY**
(71) Applicant: **KONE Corporation**, Helsinki (FI)
(72) Inventors: **Niklas Löfberg**, Helsinki (FI); **Visa Rauta**, Helsinki (FI); **Jouni Junes**, Helsinki (FI); **Toni Sokura**, Helsinki (FI)
(73) Assignee: **KONE CORPORATION**, Helsinki (FI)
(**) Term: **15 Years**

4,803,467 A * 2/1989 Peters E05B 45/10
200/61.64
D322,370 S * 12/1991 Cross D6/682
D334,528 S * 4/1993 Franklin D8/347
D343,783 S * 2/1994 Zaugg D8/347
D373,318 S * 9/1996 Berch D10/106.1
D378,465 S * 3/1997 Fekete D11/79
D380,896 S * 7/1997 Grant D3/208
D397,866 S * 9/1998 Hartmann D3/212
6,016,676 A * 1/2000 McConnell A44B 15/005
70/395
D434,344 S * 11/2000 Nezu D11/200
D442,061 S * 5/2001 Harris D8/346
6,248,451 B1 * 6/2001 Smith A44B 15/005
40/634

(Continued)

(21) Appl. No.: **29/712,214**
(22) Filed: **Nov. 6, 2019**

Primary Examiner — Steven J Czyz
(74) *Attorney, Agent, or Firm* — Leason Ellis LLP

Related U.S. Application Data

(62) Division of application No. 29/649,010, filed on May 25, 2018, now Pat. No. Des. 885,163.

Foreign Application Priority Data

Dec. 19, 2017 (EM) 004555712

(51) **LOC (13) Cl.** **08-07**

(52) **U.S. Cl.**
USPC **D8/347**

(58) **Field of Classification Search**
USPC D3/207, 208; D8/330, 331, 347, 348;
D13/168

CPC A44B 15/00; A44B 15/005; A44B 17/00;
A44B 17/0041; E05B 19/00; E05B 19/04;
E05B 19/0017; E05B 2047/0084; B60R
25/248; B60R 25/24

See application file for complete search history.

(56) **References Cited**

U.S. PATENT DOCUMENTS

4,432,219 A * 2/1984 Bassett E05B 19/00
70/456 R
D290,311 S * 6/1987 Metzger D11/220

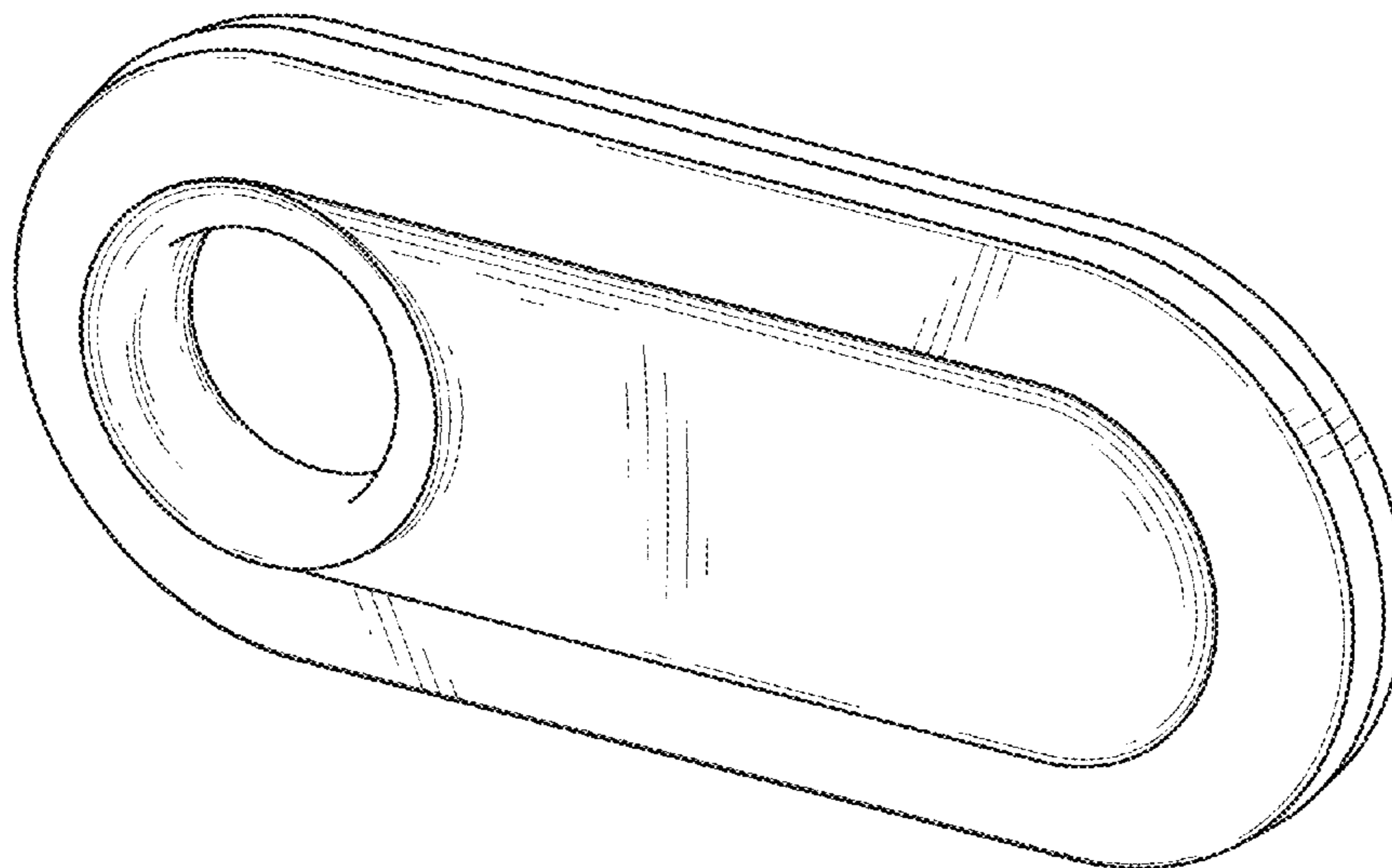
(57) **CLAIM**

The ornamental design for an electronic key, as shown and described.

DESCRIPTION

FIG. 1 is a front perspective view of an electronic key according to our new design;
FIG. 2 is a front side view thereof;
FIG. 3 is a rear side view thereof;
FIG. 4 is a right side view thereof;
FIG. 5 is a left side view thereof;
FIG. 6 is a top plan view thereof;
FIG. 7 is a bottom plan view thereof;
FIG. 8 is a sectional view taken along line 8'-8' of FIG. 6; and,
FIG. 9 is a sectional view taken along line 9'-9' of FIG. 6. The broken lines depict portions of the article that form no part of the claimed design.

1 Claim, 9 Drawing Sheets



(56)

References Cited

U.S. PATENT DOCUMENTS

D454,079	S *	3/2002	Fong	D10/40
D478,720	S *	8/2003	Lo	D3/209
D495,585	S *	9/2004	Osada	D8/347
6,812,817	B2 *	11/2004	Thibideau	A44B 15/005 335/285
D502,182	S *	2/2005	Mitchell	D14/436
D527,712	S *	9/2006	Indio da Costa	D13/168
D538,033	S *	3/2007	Schaeken	D3/207
D538,628	S *	3/2007	O. Johansson	D8/347
D543,018	S *	5/2007	Bates	D3/207
D557,588	S *	12/2007	Stifle	D8/347
D562,778	S *	2/2008	Bonnaud	D13/168
D575,629	S *	8/2008	Kim	D8/347
7,423,867	B2 *	9/2008	Yamamoto	G07C 9/00944 340/502
D583,648	S *	12/2008	Cushman	D8/343
7,463,134	B1 *	12/2008	Stilley	A45C 11/18 340/5.61
D595,113	S *	6/2009	Agresta	D8/347
D598,423	S *	8/2009	Lamarche	D14/191
D599,323	S *	9/2009	Petersen	D14/191
D622,955	S *	9/2010	Mudrick	D3/208
D627,153	S *	11/2010	Schmidt	D3/207
7,897,888	B2 *	3/2011	Dimig	H01H 9/0235 200/302.2
D635,841	S *	4/2011	Lindley	D8/347
D647,810	S *	11/2011	Bohrer	D10/106.9
D657,229	S *	4/2012	Chang	D8/347
D660,682	S *	5/2012	Mahaffey	D8/339
D665,992	S *	8/2012	Wilbur	D3/207
D667,382	S *	9/2012	Cosentino	D13/168
D692,400	S *	10/2013	Ni	D13/168
D693,332	S *	11/2013	Lee	D14/218
D704,931	S *	5/2014	Abellera	D3/207
D708,132	S *	7/2014	Wen	D13/108
D714,538	S *	10/2014	Bestard-Ribas	D3/207
D726,129	S *	4/2015	Chin	D13/168
D729,512	S *	5/2015	Latthe	D3/207
D731,356	S *	6/2015	Luke	D11/207
D737,225	S *	8/2015	Seidl	D13/168
9,112,303	B2 *	8/2015	Zeliff	H01R 11/30
D739,360	S *	9/2015	Shippen	D13/168
D778,206	S *	2/2017	Sullivan	D11/206
D780,436	S *	3/2017	Fraser	D3/207
D790,484	S *	6/2017	Bristol	D13/168
D792,359	S *	7/2017	Nakagawa	D13/168
D794,556	S *	8/2017	Liao	D13/107
9,799,154	B2 *	10/2017	Engel-Dahan	G07C 9/28
D806,715	S *	1/2018	Chen	D14/480.6
D815,562	S *	4/2018	Schommer	D11/200
D815,967	S *	4/2018	Ramasarma	D10/104.1
D815,968	S *	4/2018	Ramasarma	D10/104.1
D817,961	S *	5/2018	Han	D14/426
D818,347	S *	5/2018	Kim	D8/346
9,963,909	B2 *	5/2018	Watanabe	G07C 9/00944
D822,376	S *	7/2018	Konotopskyi	D3/208
D822,780	S *	7/2018	Fallon	D21/793
10,033,050	B2 *	7/2018	Yu	G07C 9/00944
10,140,824	B2 *	11/2018	Schultz	G08B 13/06
D836,568	S *	12/2018	Miller	D13/168
10,176,655	B2 *	1/2019	Gullicksen	G07C 9/00309
D844,971	S *	4/2019	Laurans	D3/207
10,271,443	B2 *	4/2019	Kajiura	H05K 5/03
D849,745	S *	5/2019	Lim	D14/426
D855,575	S *	8/2019	Paesen	D13/168
D856,660	S *	8/2019	Lu	D3/207
D875,691	S *	2/2020	Zu	G07C 9/00944 D13/168
D877,090	S *	3/2020	Lu	D13/168
D881,162	S *	4/2020	Zhu	D14/218
D885,163	S *	5/2020	Lofberg	D8/347
D886,195	S *	6/2020	Lin	D20/22
D890,107	S *	7/2020	Miller	D13/168
D897,820	S *	10/2020	Nicoara	D8/347
D898,549	S *	10/2020	Nicoara	D8/347
D904,855	S *	12/2020	Min	D8/330
D907,461	S *	1/2021	Marsden	D8/347
D912,635	S *	3/2021	Birchler	D13/168
2002/0173692	A1 *	11/2002	Kaufman	A61N 2/06 600/9
2003/0051520	A1 *	3/2003	Janssen	G07C 9/00944 70/278.3
2004/0079125	A1 *	4/2004	Morehart	E05B 19/04 70/408
2004/0099430	A1 *	5/2004	Scudder	G07C 9/00944 174/564
2010/0238640	A1 *	9/2010	Yang	H04M 1/236 361/811

* cited by examiner

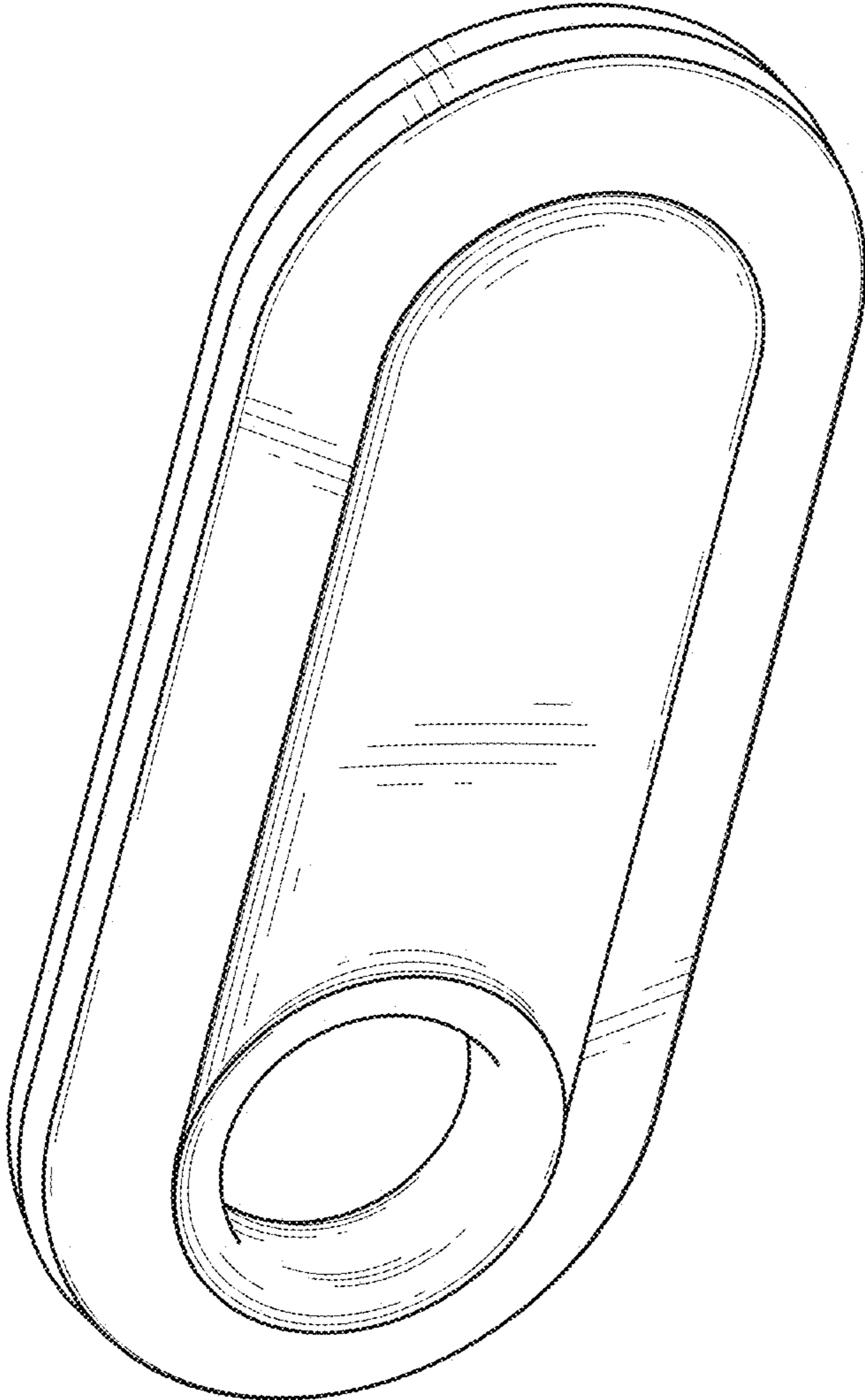


Fig. 1

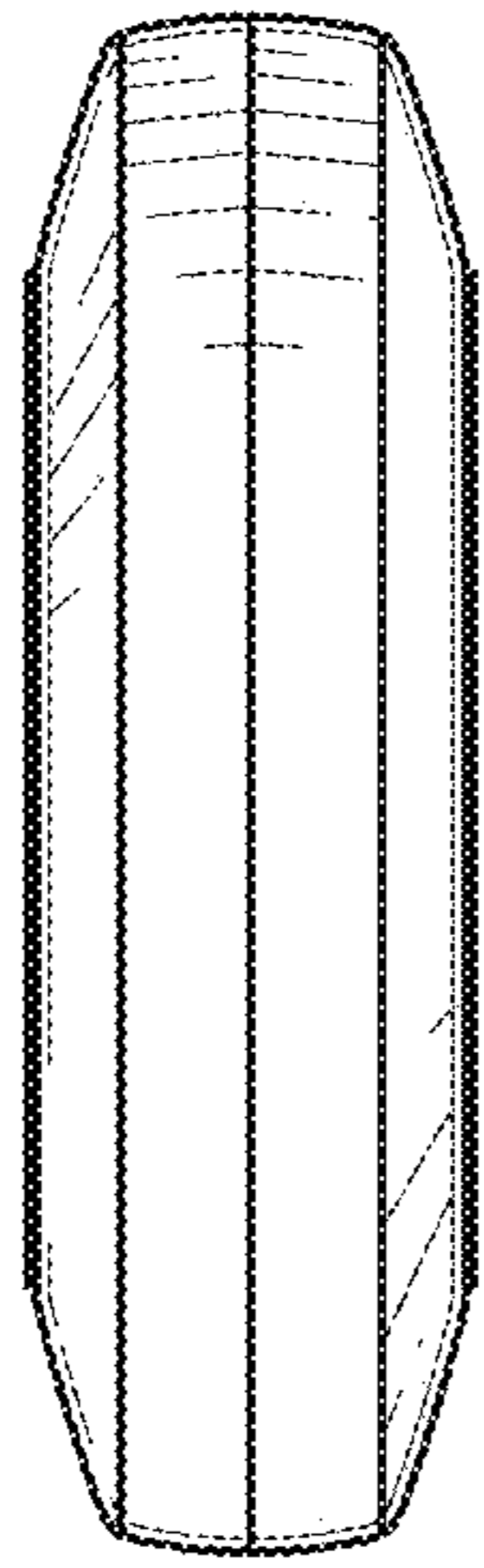


Fig. 2

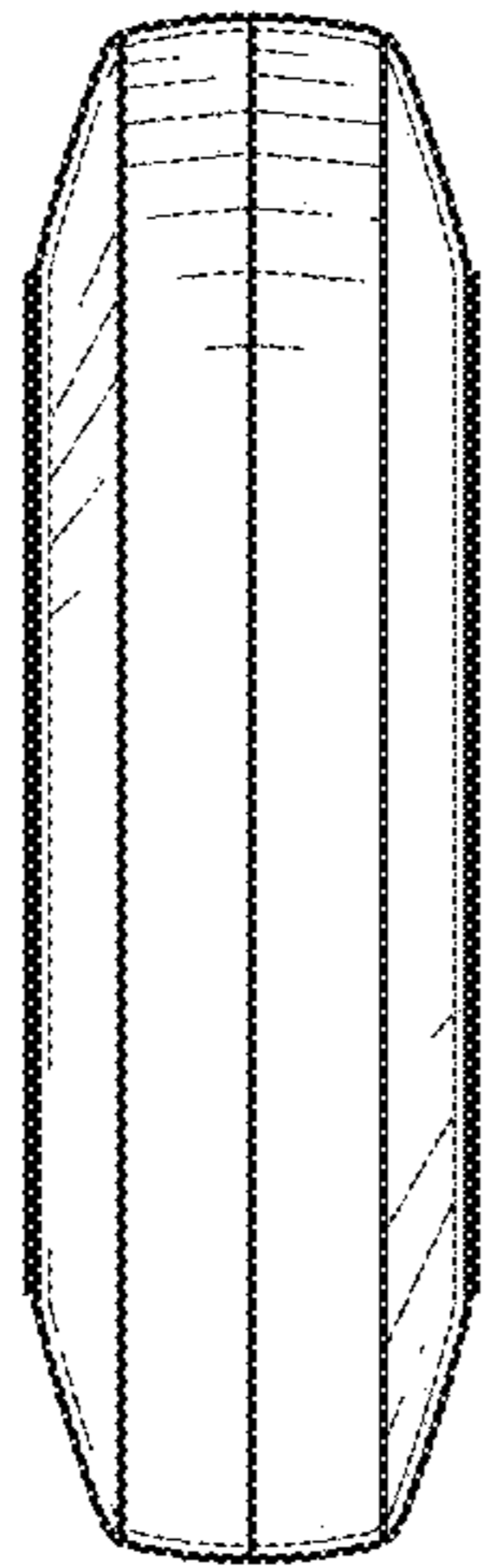


Fig. 3

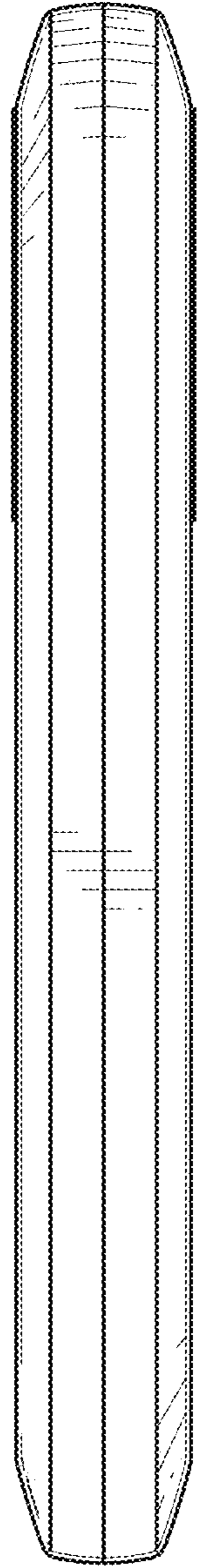


Fig. 4

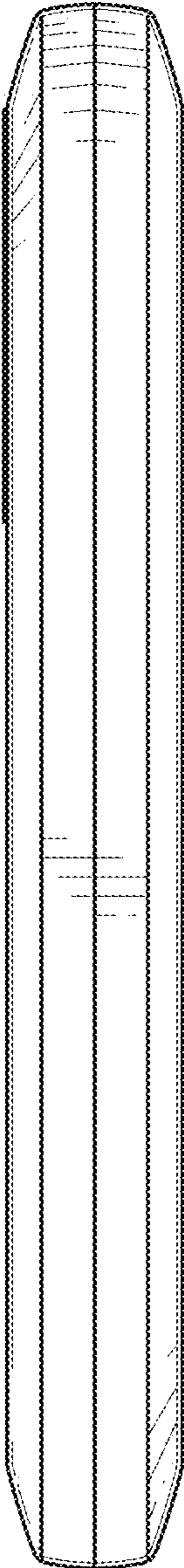


Fig. 5

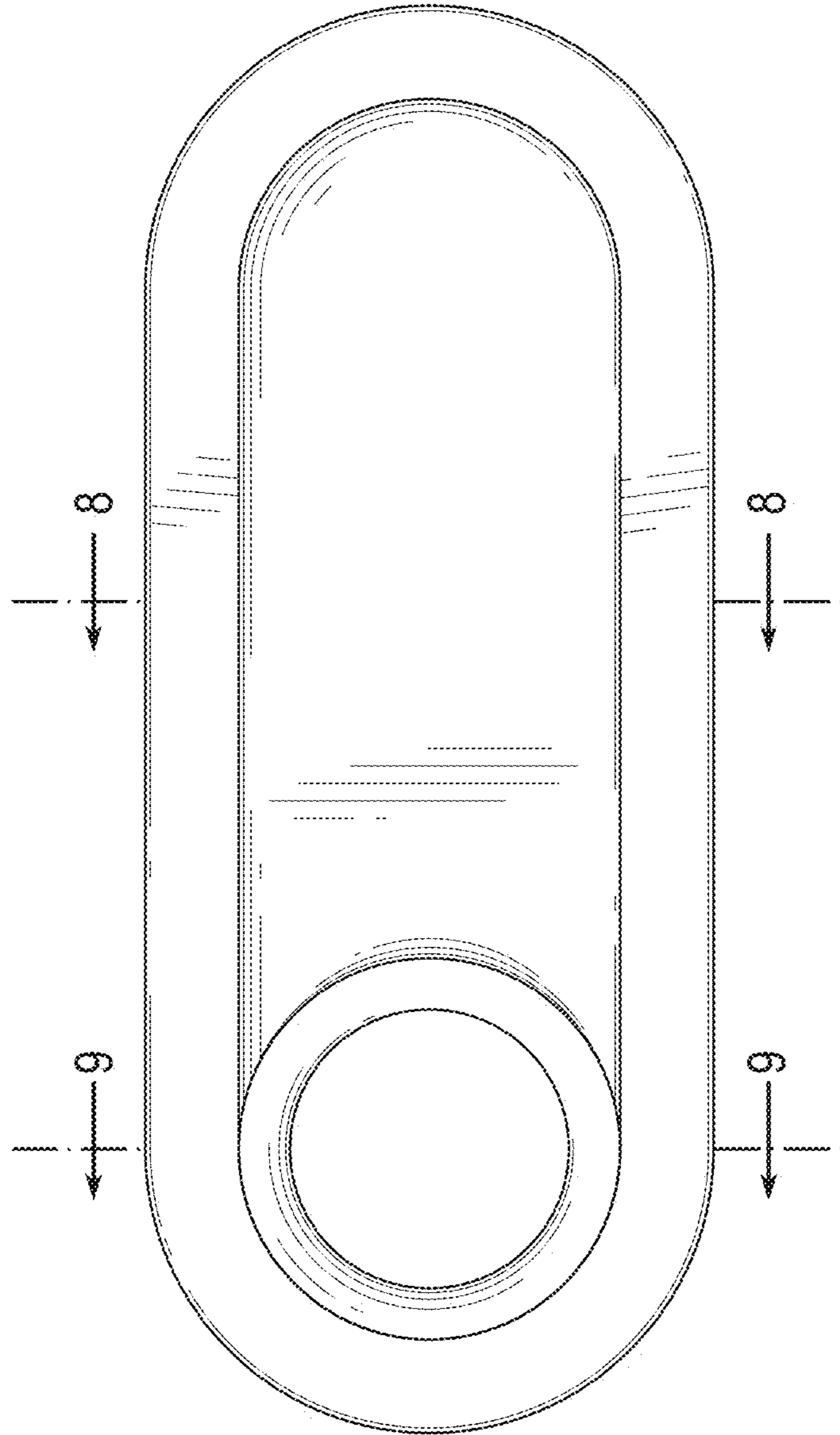


Fig. 6

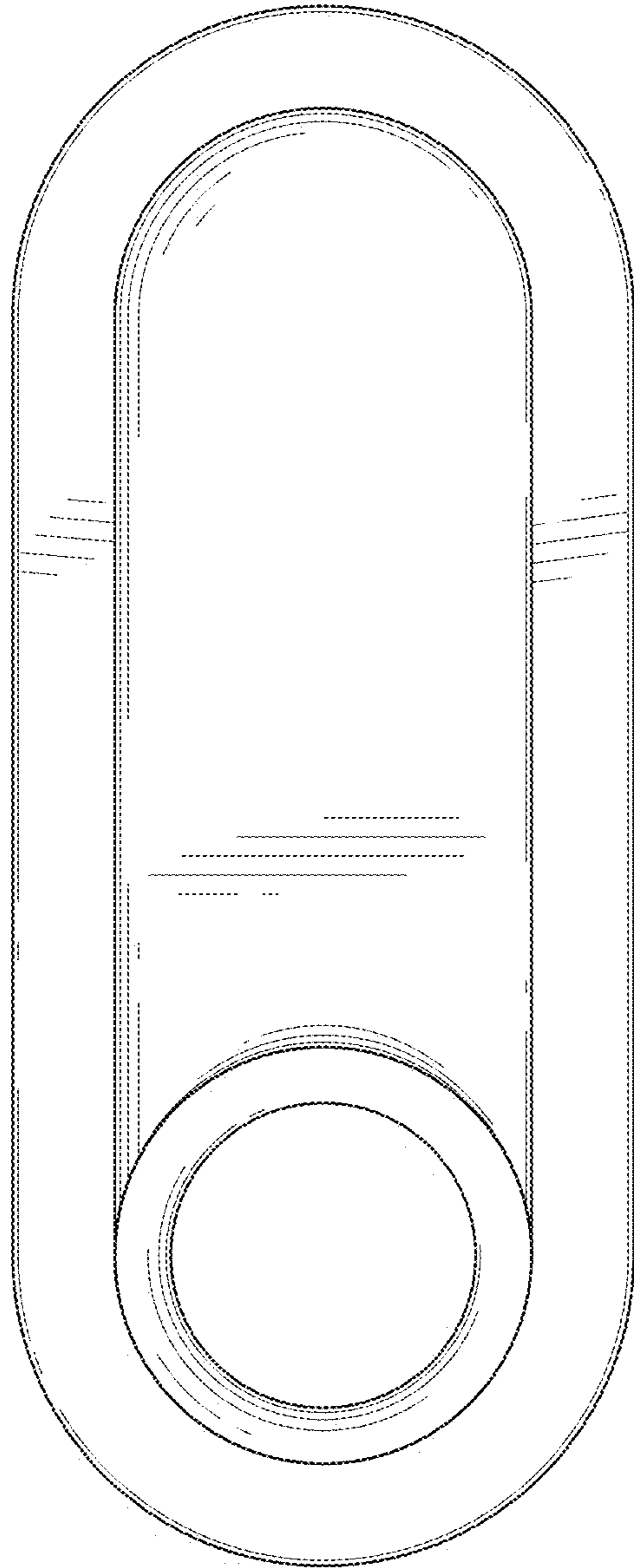


Fig. 7

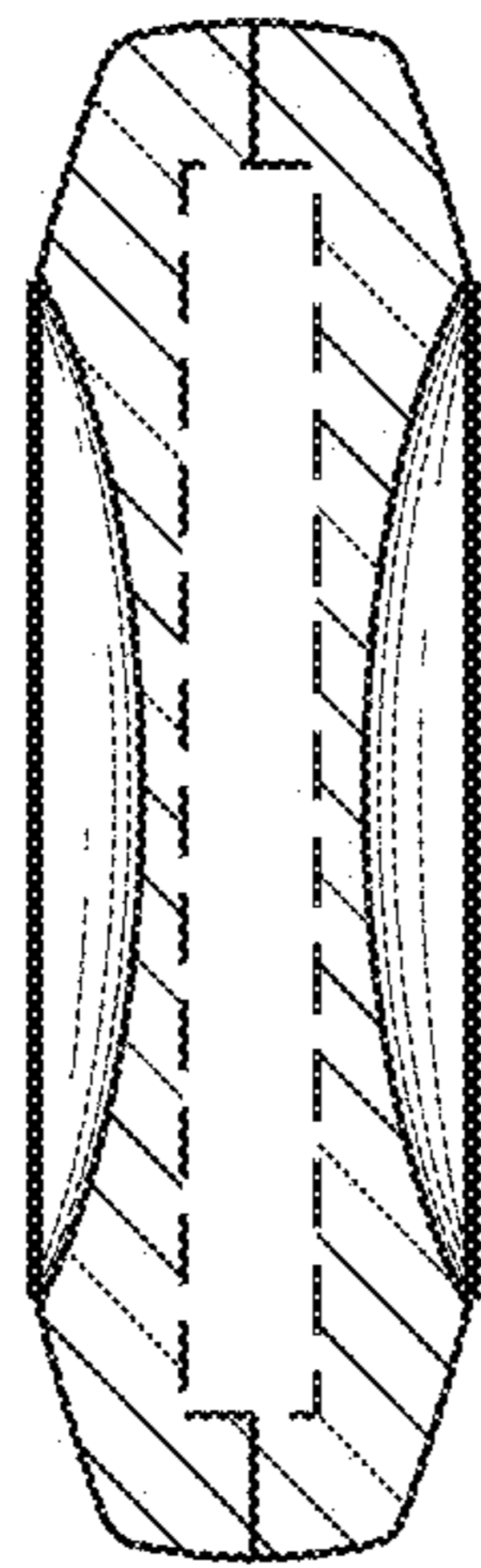


Fig. 8

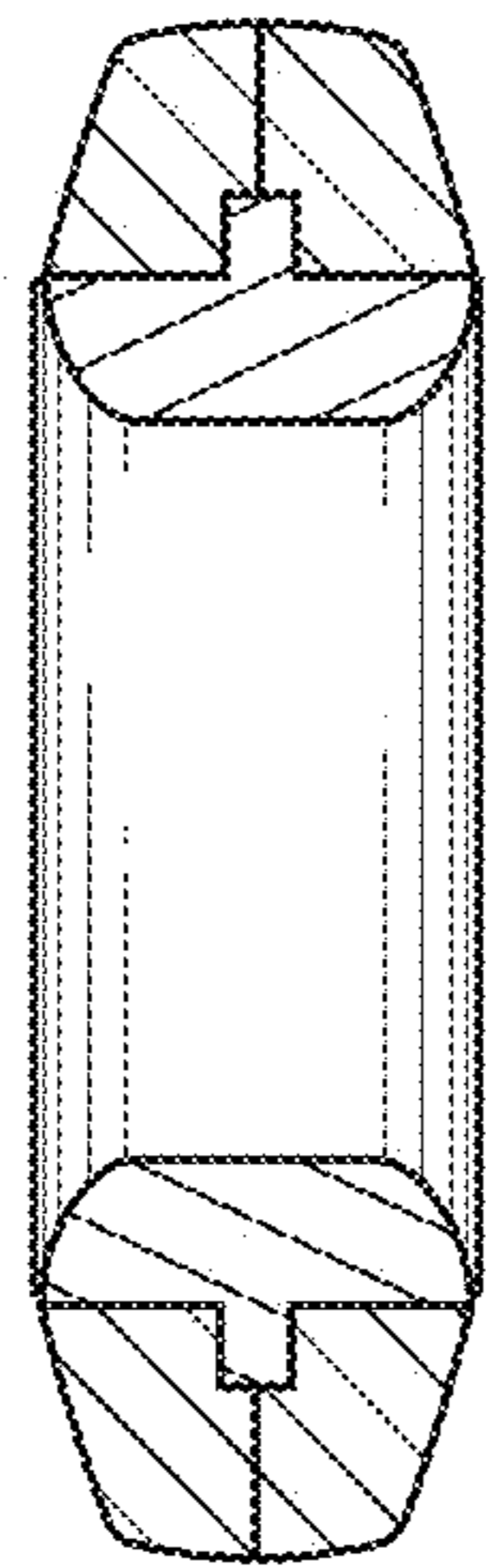


Fig. 9