



US00D939924S

(12) **United States Design Patent**  
**Gottemaker**

(10) **Patent No.:** **US D939,924 S**  
(45) **Date of Patent:** **\*\* Jan. 4, 2022**

- (54) **LOCK FOR A VEHICLE CANOPY**
- (71) Applicant: **McNaughtans Pty. Ltd.**, Dandenong South (AU)
- (72) Inventor: **Hendrik Gottemaker**, Marietta, GA (US)
- (73) Assignee: **McNaughtans Pty. Ltd.**
- (\*\*) Term: **15 Years**
- (21) Appl. No.: **29/695,332**
- (22) Filed: **Jun. 18, 2019**
- (51) **LOC (13) Cl.** ..... **08-07**
- (52) **U.S. Cl.**  
USPC ..... **D8/330; D8/331**
- (58) **Field of Classification Search**  
USPC ..... D8/330-334, 336, 338, 343-346, D8/300-302, 306-329; 71/91, 277, 336, 71/280  
CPC ..... B64C 1/00; B64C 1/14; B64F 5/00; E05B 63/0056; E05B 47/06; E05B 77/44; E05B 2047/0084; E05B 69/003; E05B 71/00;  
(Continued)

(56) **References Cited**

**U.S. PATENT DOCUMENTS**

- 3,541,651 A \* 11/1970 Gaylord ..... B64D 17/32 24/645
  - D242,521 S \* 11/1976 Plympton ..... D8/339
- (Continued)

**FOREIGN PATENT DOCUMENTS**

- EM 002662692-0001 \* 3/2015
  - EM 002662999-0011 \* 3/2015
- (Continued)

**OTHER PUBLICATIONS**

Mcnaughtans, Fast Lock, Date first available Jan. 16, 2021, [online]retrieved May 18, 2021,use the way back machine URLhttps://

web.archive.org/web/20210116000906/https://www.mcnaughtans.com.au/fastlock.php (Year: 2021).\*

(Continued)

*Primary Examiner* — Keli L Hill

*Assistant Examiner* — Sara S Sahneh

(74) *Attorney, Agent, or Firm* — Tumey L.L.P.

(57) **CLAIM**

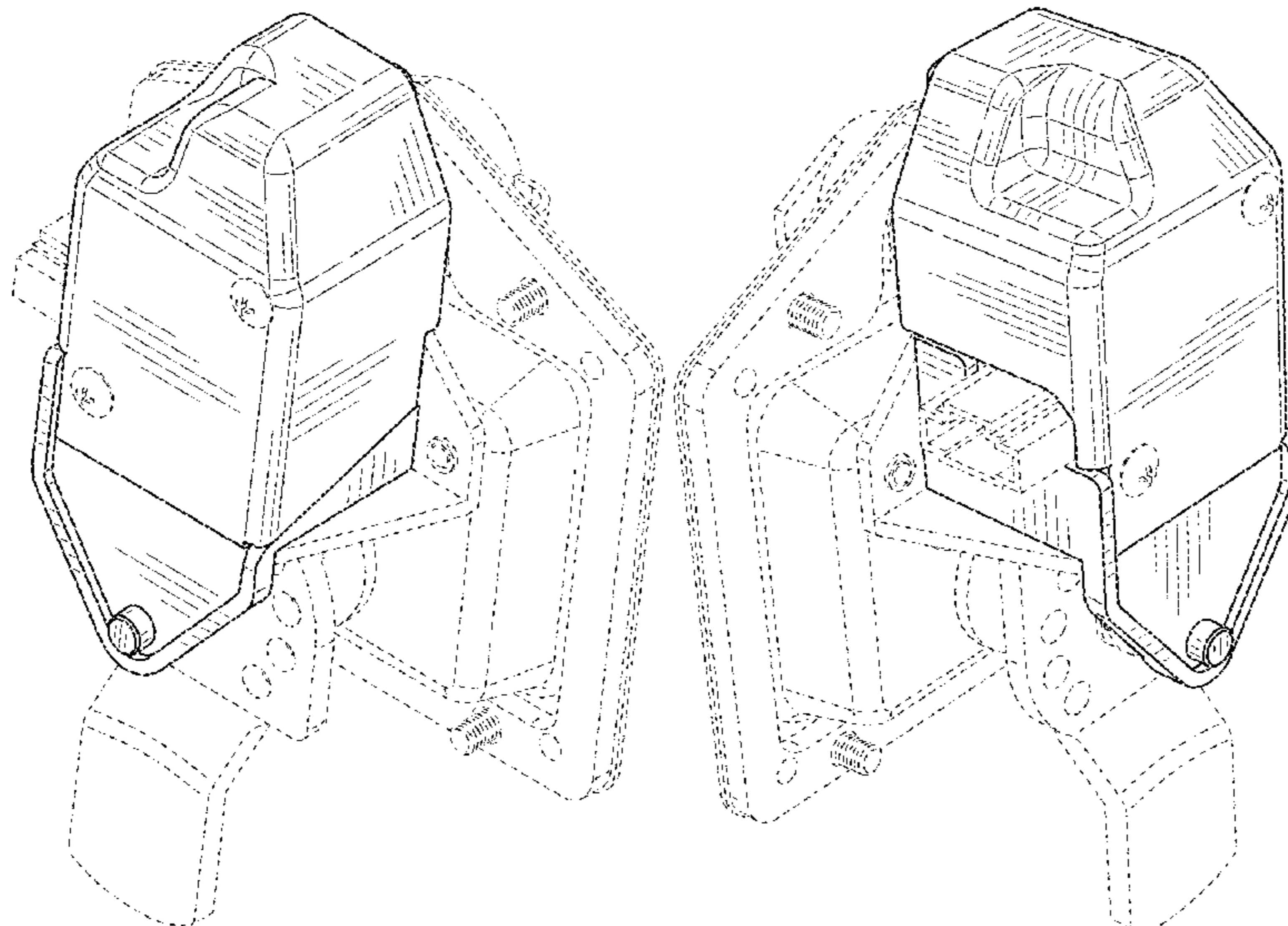
The ornamental design for a lock for a vehicle canopy, as shown and described.

**DESCRIPTION**

FIG. 1 is a front view of the lock for a vehicle canopy;  
 FIG. 2 is a back view of the lock for a vehicle canopy;  
 FIG. 3 is a left-side view of the lock for a vehicle canopy;  
 FIG. 4 is a right-side view of the lock for a vehicle canopy;  
 FIG. 5 is a top view of the lock for a vehicle canopy;  
 FIG. 6 is a bottom view of the lock for a vehicle canopy;  
 FIG. 7 is a front perspective view of the lock for a vehicle canopy;  
 FIG. 8 is a back right-side perspective view of the lock for a vehicle canopy;  
 FIG. 9 is a back left-side perspective view of the lock for a vehicle canopy;  
 FIG. 10 is a top right-side perspective view of the lock for a vehicle canopy;  
 FIG. 11 is a top left-side perspective view of the lock for a vehicle canopy;  
 FIG. 12 is a bottom left-side perspective view of the lock for a vehicle canopy; and,  
 FIG. 13 is a bottom right-side perspective view of the lock for a vehicle canopy.

The broken lines shown are included for the purpose of illustrating portions of the lock for vehicle canopy that form no part of the claim.

**1 Claim, 10 Drawing Sheets**



(58) **Field of Classification Search**

CPC .. E05B 73/005; E05B 17/142; E05B 47/0011;  
 E05B 47/00; E05B 41/00; E05B 47/0615;  
 E05B 47/0012; E05B 15/02; E05B  
 65/466; E05B 65/469; E05B 13/001;  
 E05B 13/007; E05B 13/00; E05B 13/10;  
 E05B 65/44; E05B 65/46; E05B 65/462;  
 E05B 65/463; E05B 65/461; E05B  
 65/464; E05B 51/00; E05B 35/00; E05B  
 39/00; E05B 47/0001; Y10T 70/7107;  
 Y10T 70/7062; Y10T 70/5155; Y10T  
 70/5199; B62H 5/001; A47F 3/00; A47F  
 3/005; A47F 3/007; A47F 7/024

See application file for complete search history.

(56) **References Cited**

U.S. PATENT DOCUMENTS

D273,932 S \* 5/1984 Gates ..... D8/330  
 D352,884 S \* 11/1994 Schlack ..... D8/331  
 D454,050 S \* 3/2002 Kelly ..... D8/331  
 D663,605 S \* 7/2012 Rohde ..... D8/331  
 D701,104 S \* 3/2014 Weldon ..... D8/331  
 D782,274 S \* 3/2017 Herrick ..... D8/330

D789,770 S \* 6/2017 Reeb ..... D8/330  
 2004/0159744 A1\* 8/2004 Wood ..... B64C 1/1476  
 244/121  
 2009/0315342 A1\* 12/2009 Dalton, Jr. .... E05B 63/006  
 292/197  
 2012/0291502 A1\* 11/2012 Frankham ..... E05B 63/0056  
 70/279.1  
 2021/0010291 A1\* 1/2021 Manly ..... E05B 5/006

FOREIGN PATENT DOCUMENTS

EM 007272711-0001 \* 11/2019  
 IN 231453-0001 \* 9/2010  
 JP D1077935 \* 2/1999

OTHER PUBLICATIONS

Thorn, Boat Cam Latch, Date first available Dec. 6, 2017,  
 [online]retrieved May 11, 2021,available from [https://www.amazon.com/Thorn-Latch-Stainless-Steel-Marine/dp/B077YH2YPW/ref=sr\\_1\\_1\\_sspa?dchild=1&keywords=boat+cam+latch&qid=1621449224&sr=8-1-spons&psc=1&spLa=ZW5jcnlwdGVkUXVhbGlmaWVyPUFEV1FVVIQwTD](https://www.amazon.com/Thorn-Latch-Stainless-Steel-Marine/dp/B077YH2YPW/ref=sr_1_1_sspa?dchild=1&keywords=boat+cam+latch&qid=1621449224&sr=8-1-spons&psc=1&spLa=ZW5jcnlwdGVkUXVhbGlmaWVyPUFEV1FVVIQwTD) (Year: 2017).\*

\* cited by examiner

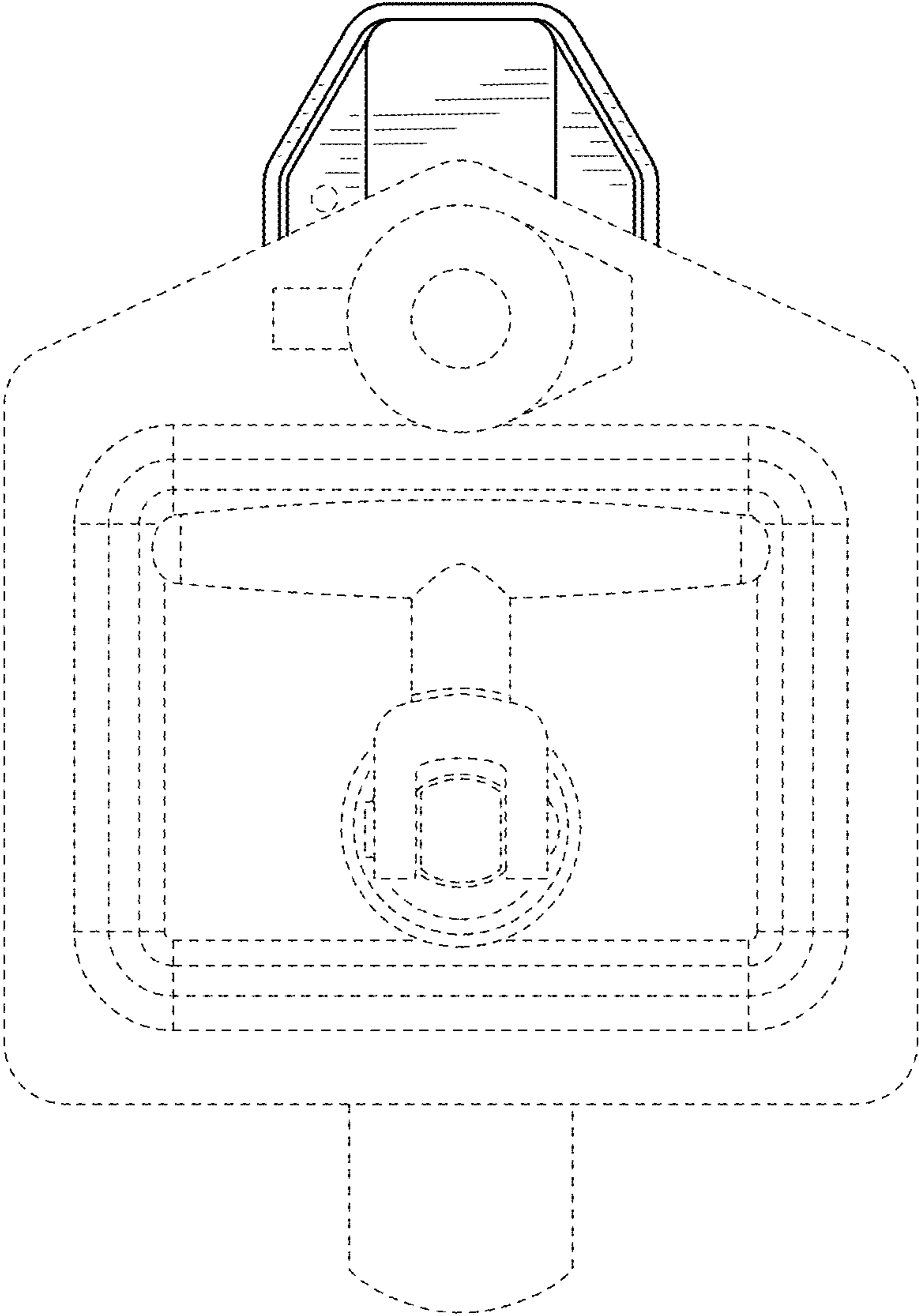


FIG. 1

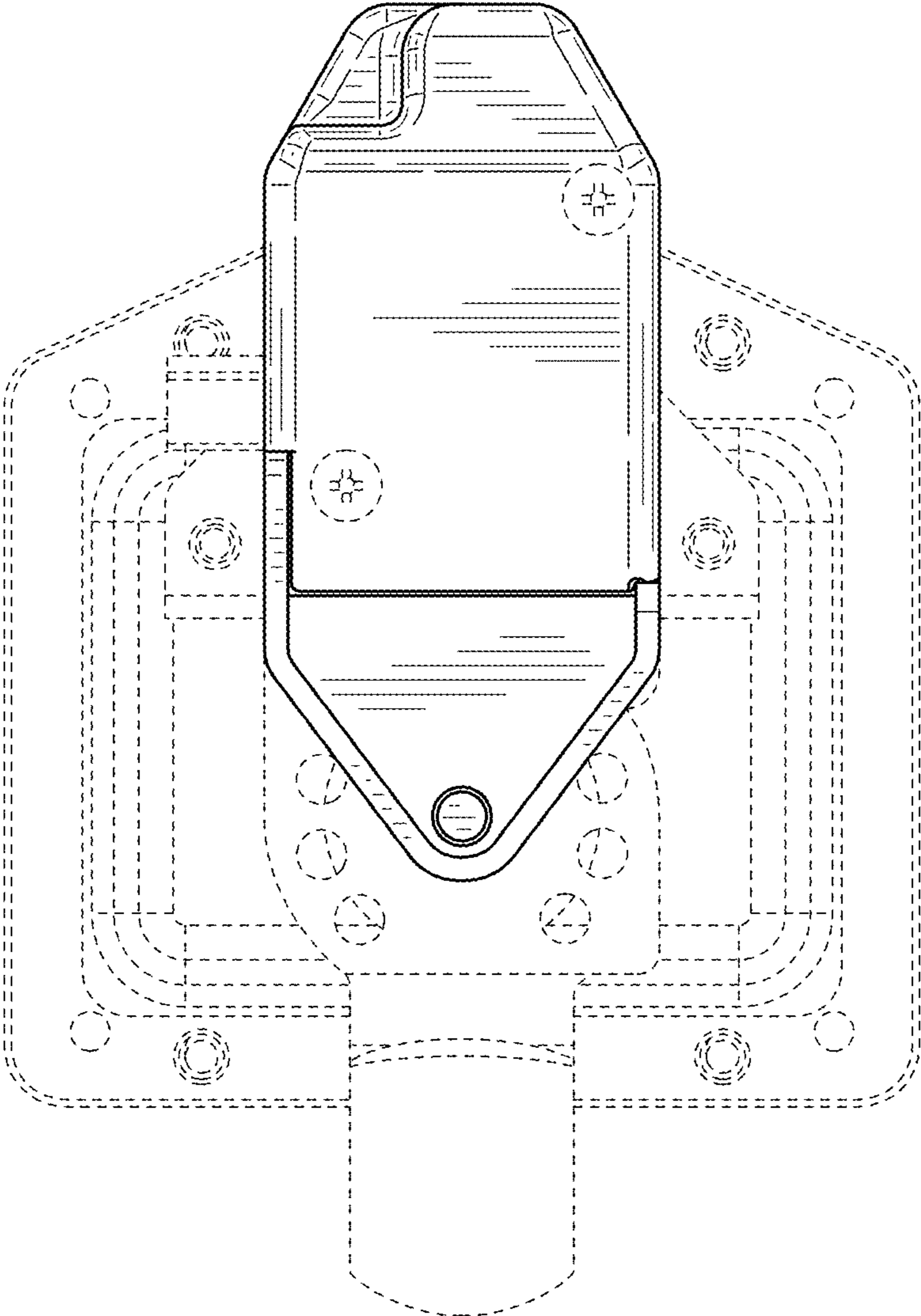


FIG. 2

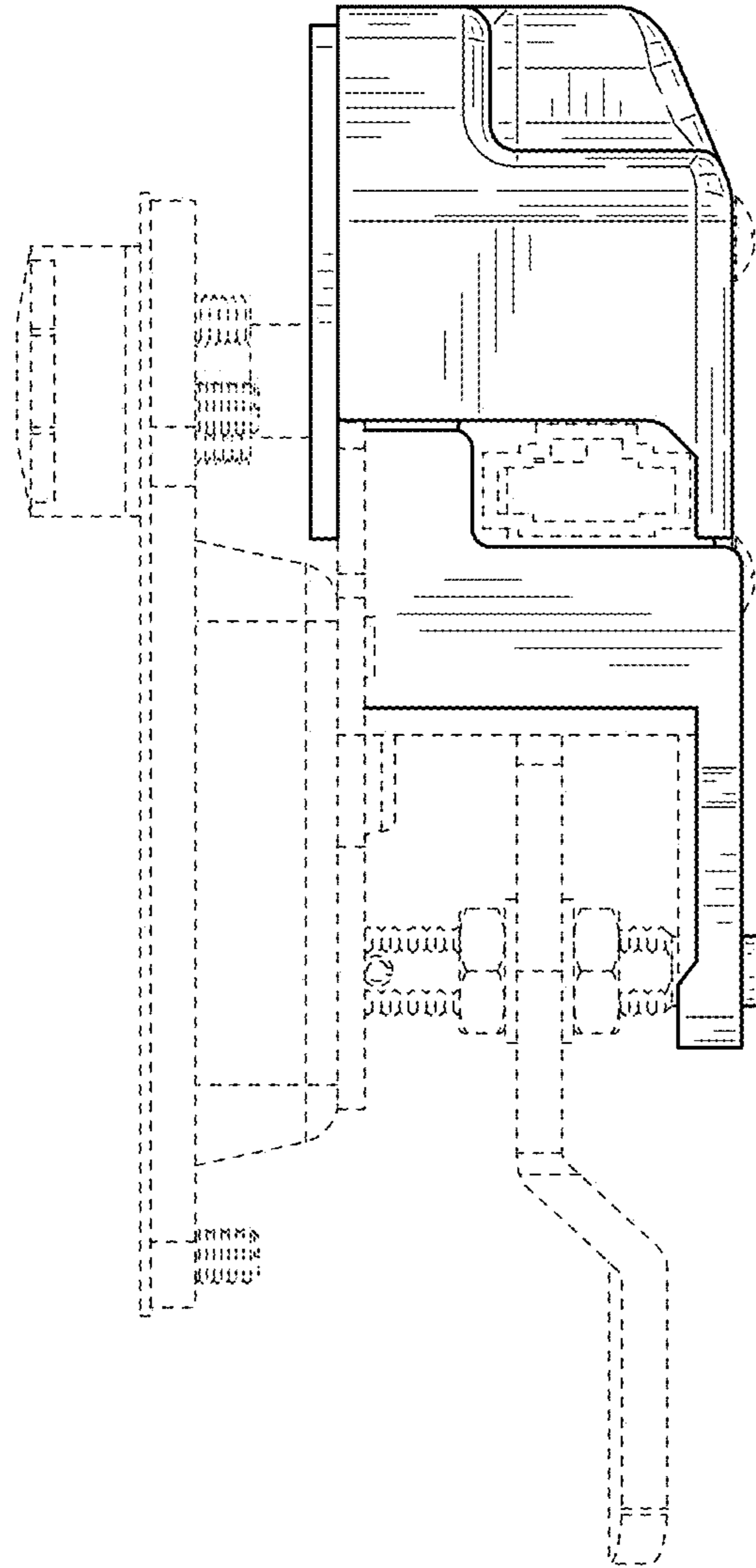


FIG. 3



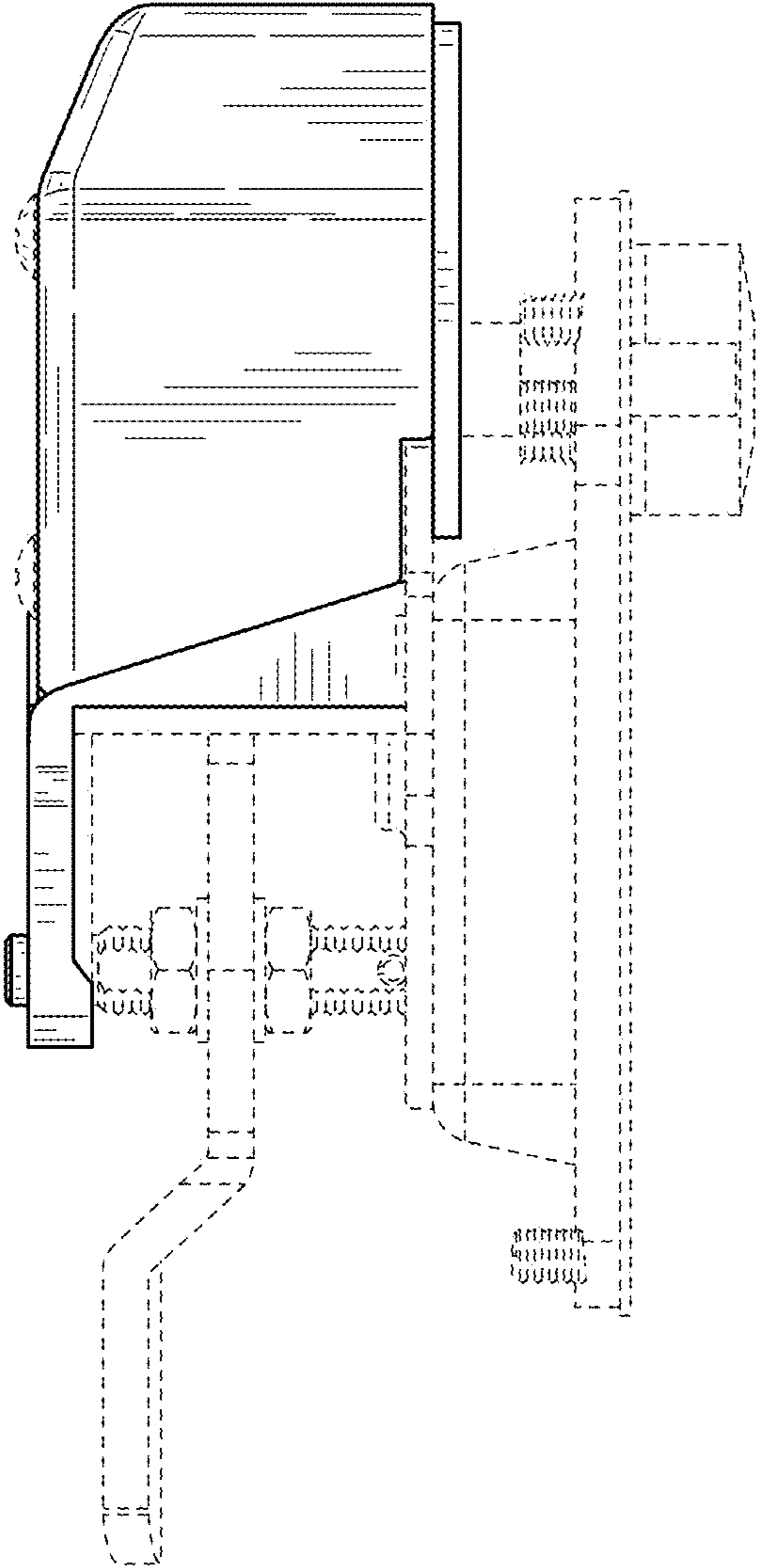
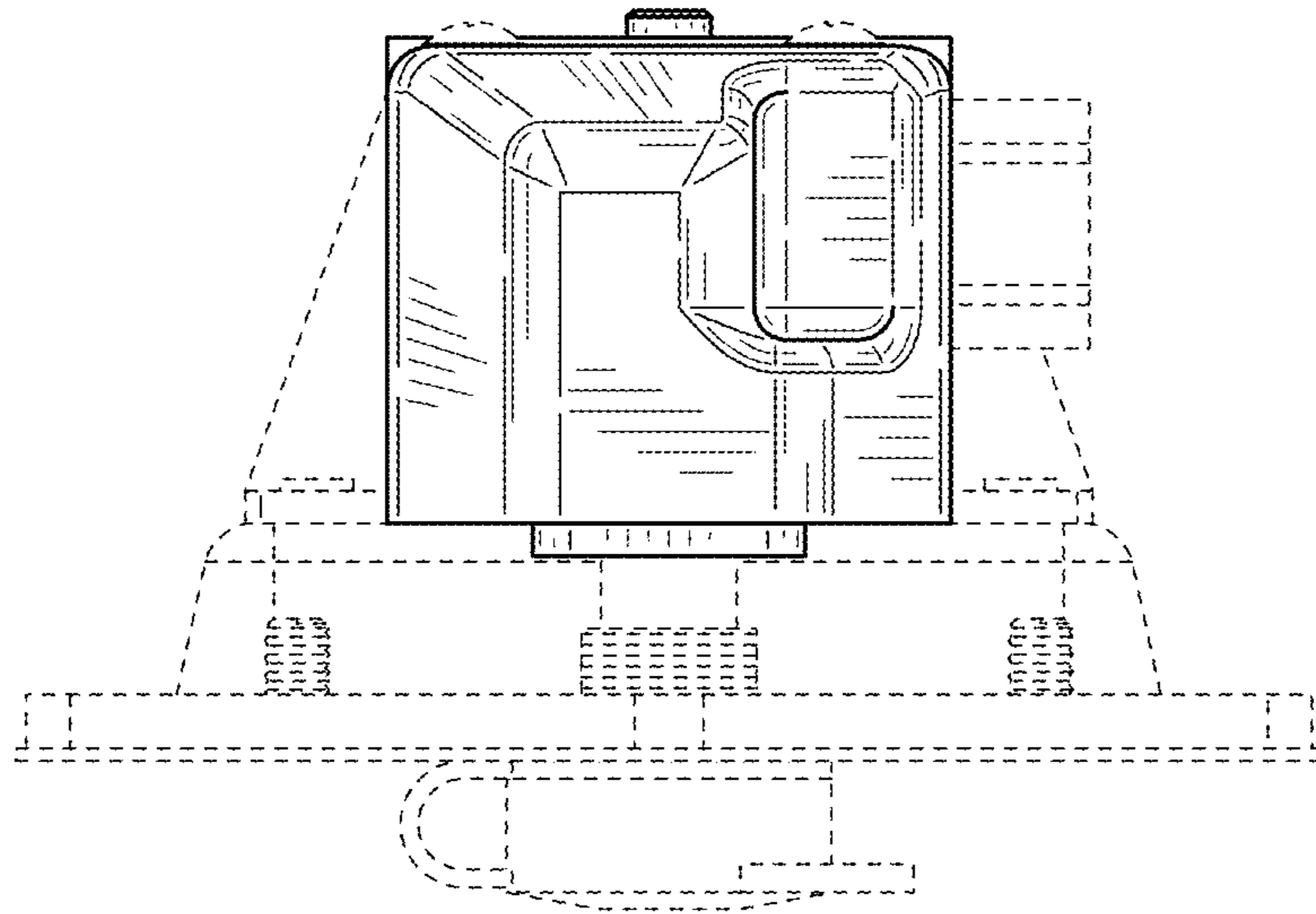
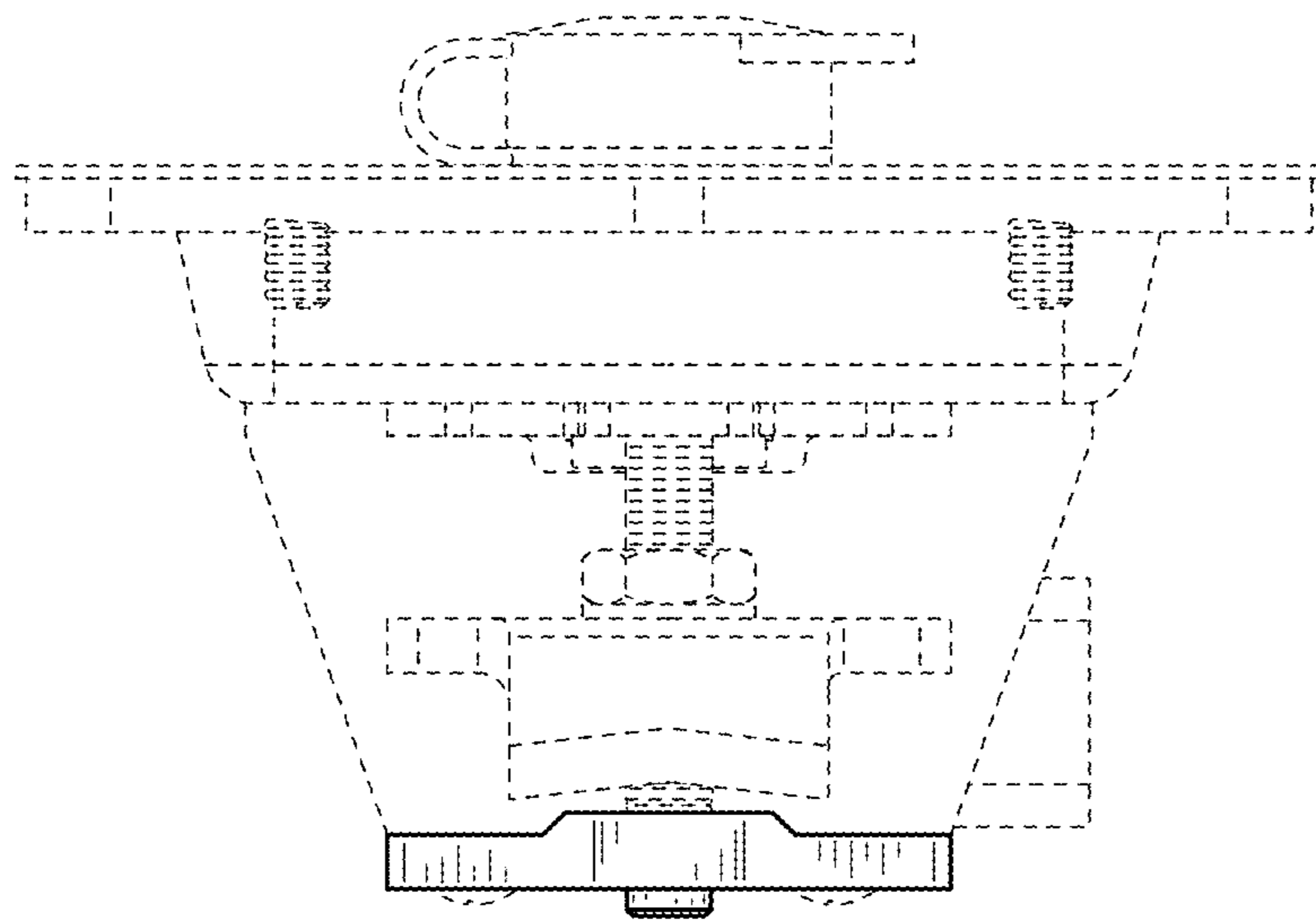


FIG. 4



**FIG. 5**



**FIG. 6**

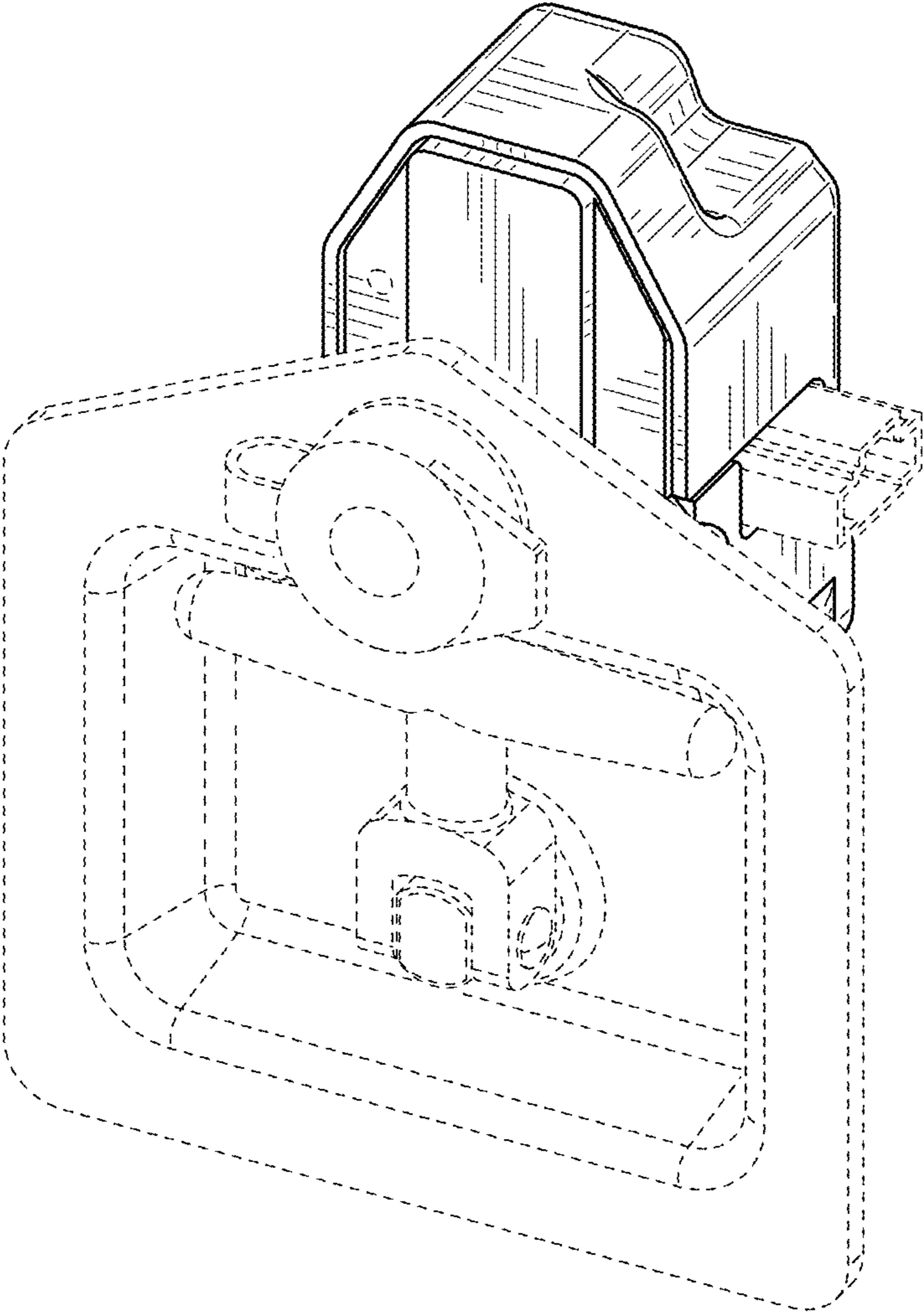


FIG. 7



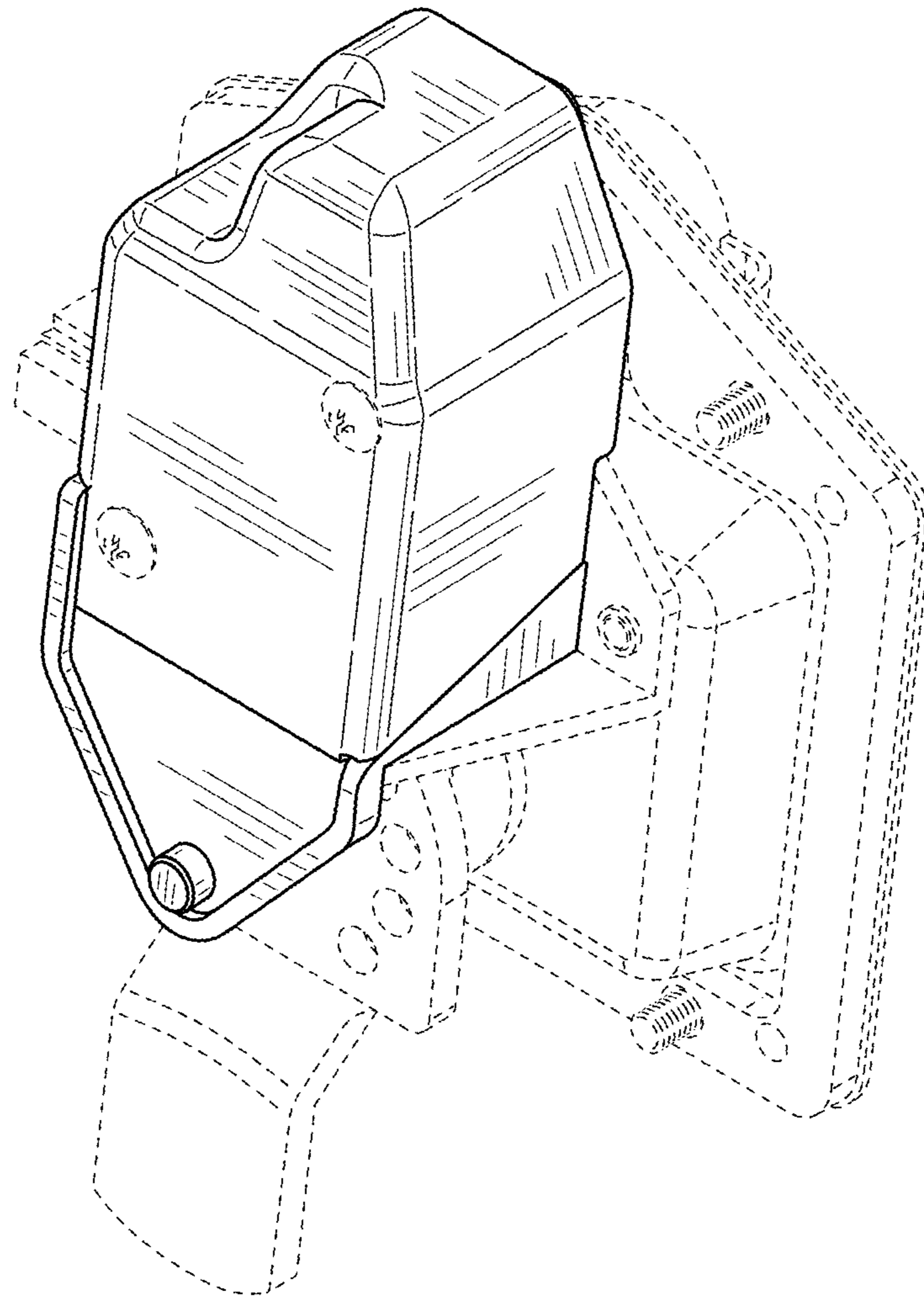


FIG. 8

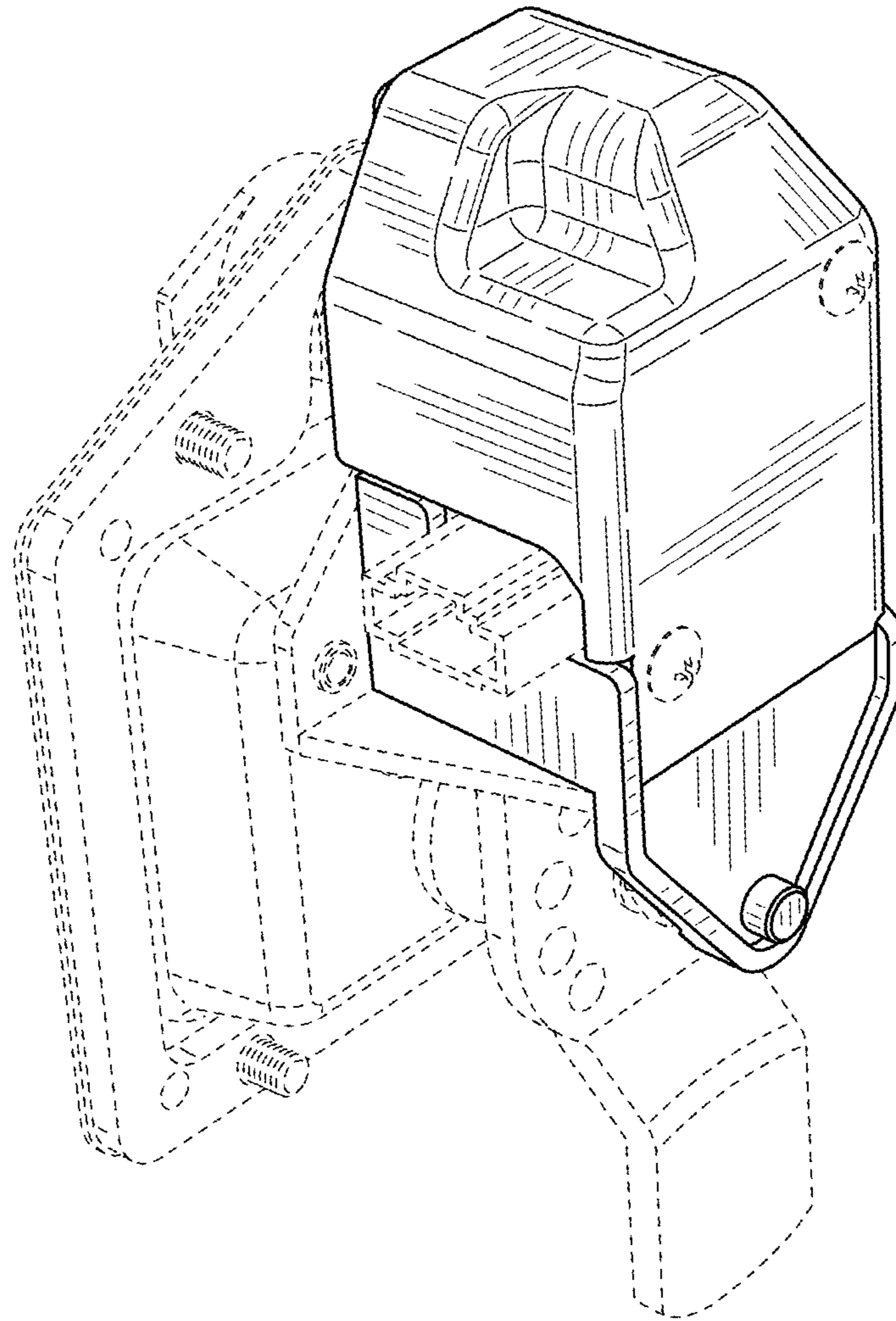


FIG. 9

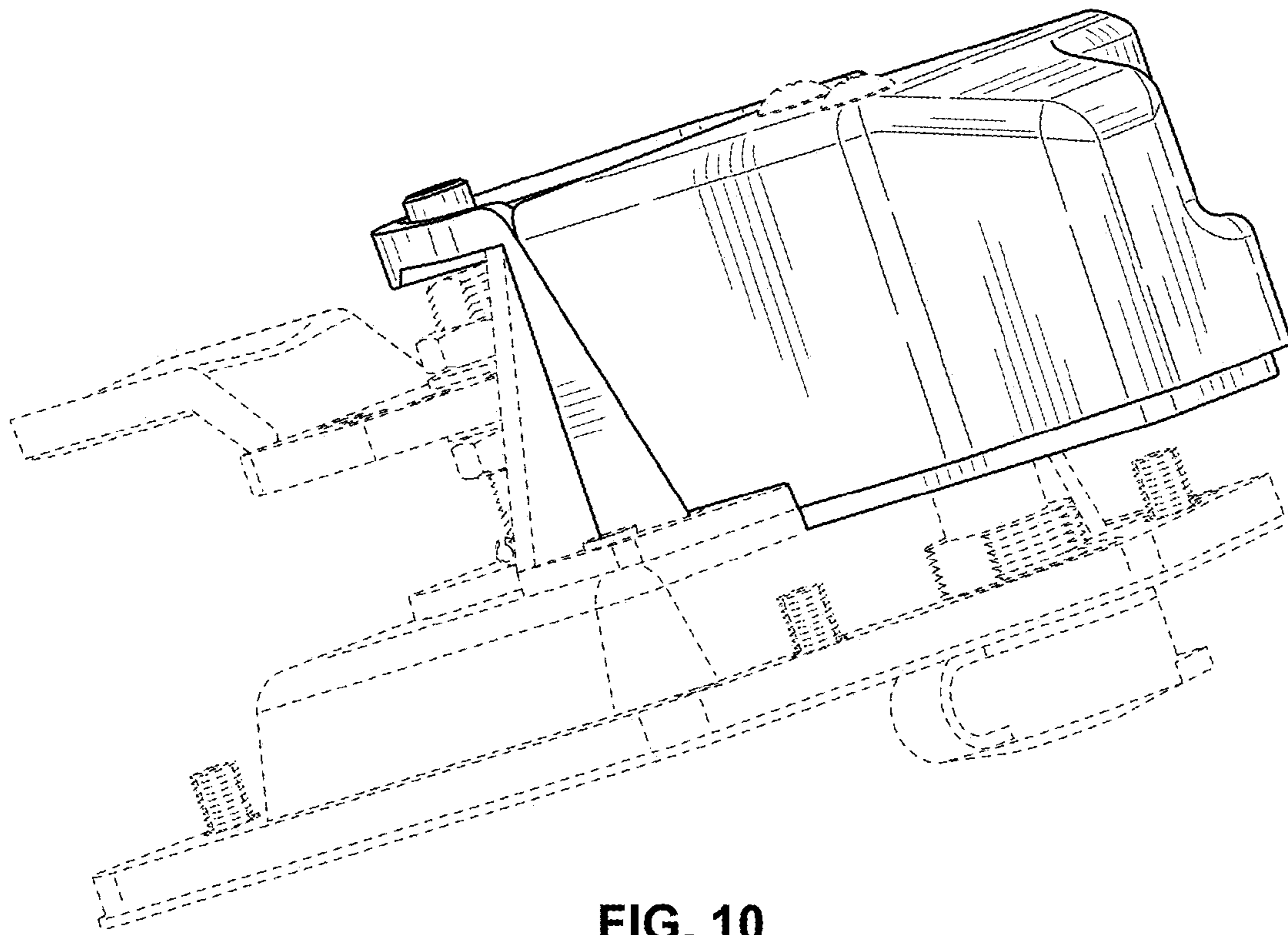


FIG. 10

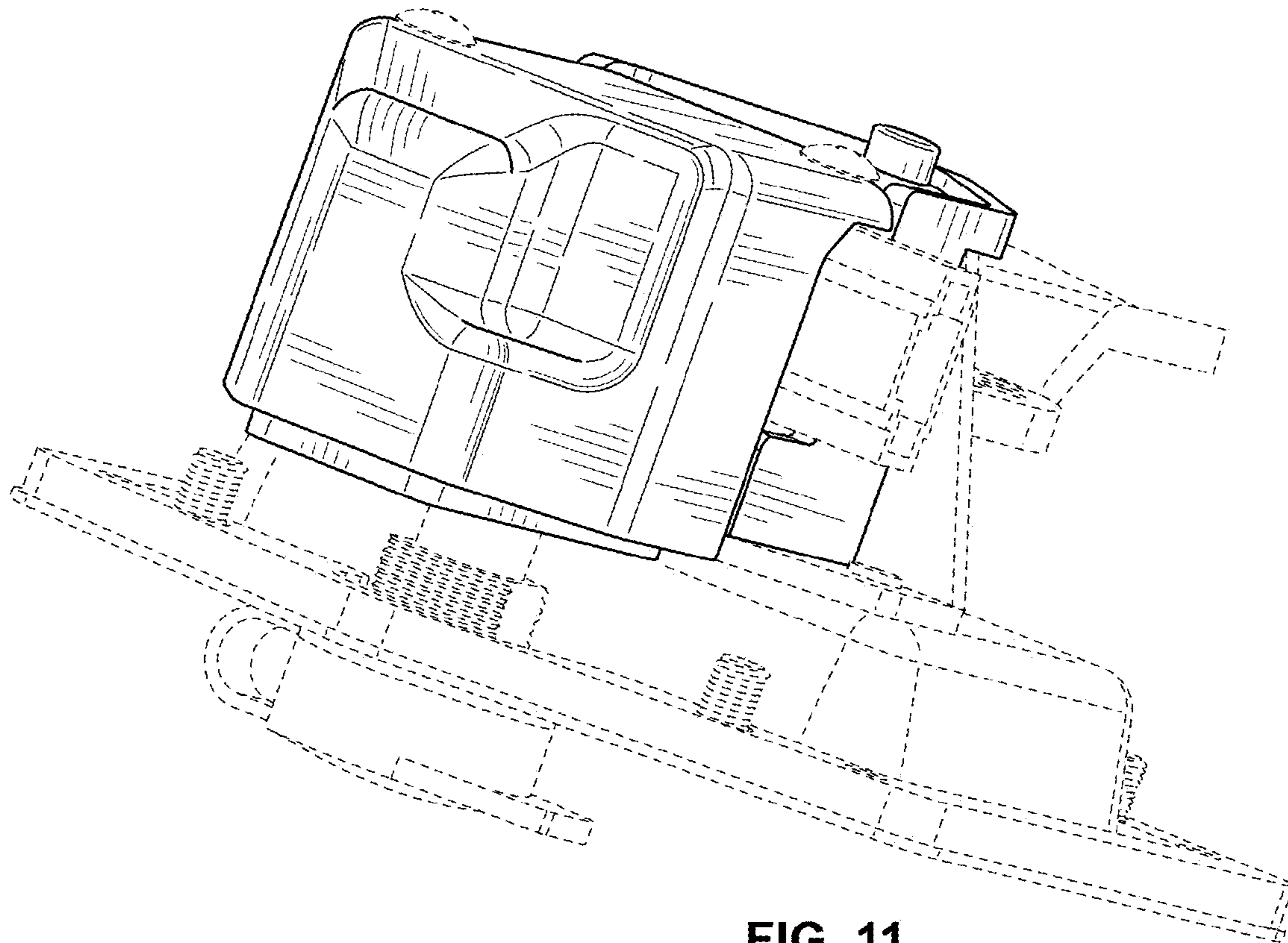


FIG. 11

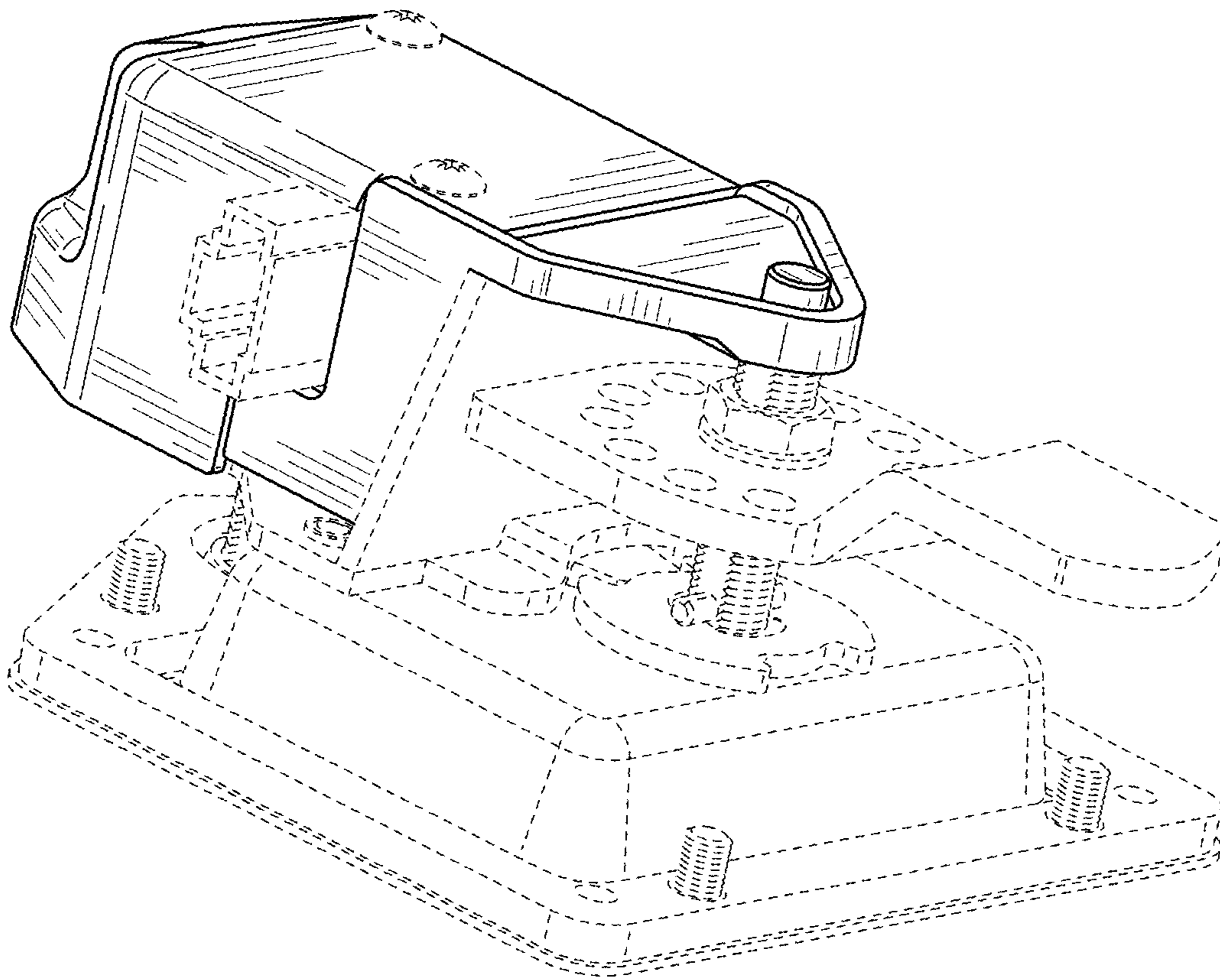


FIG. 12

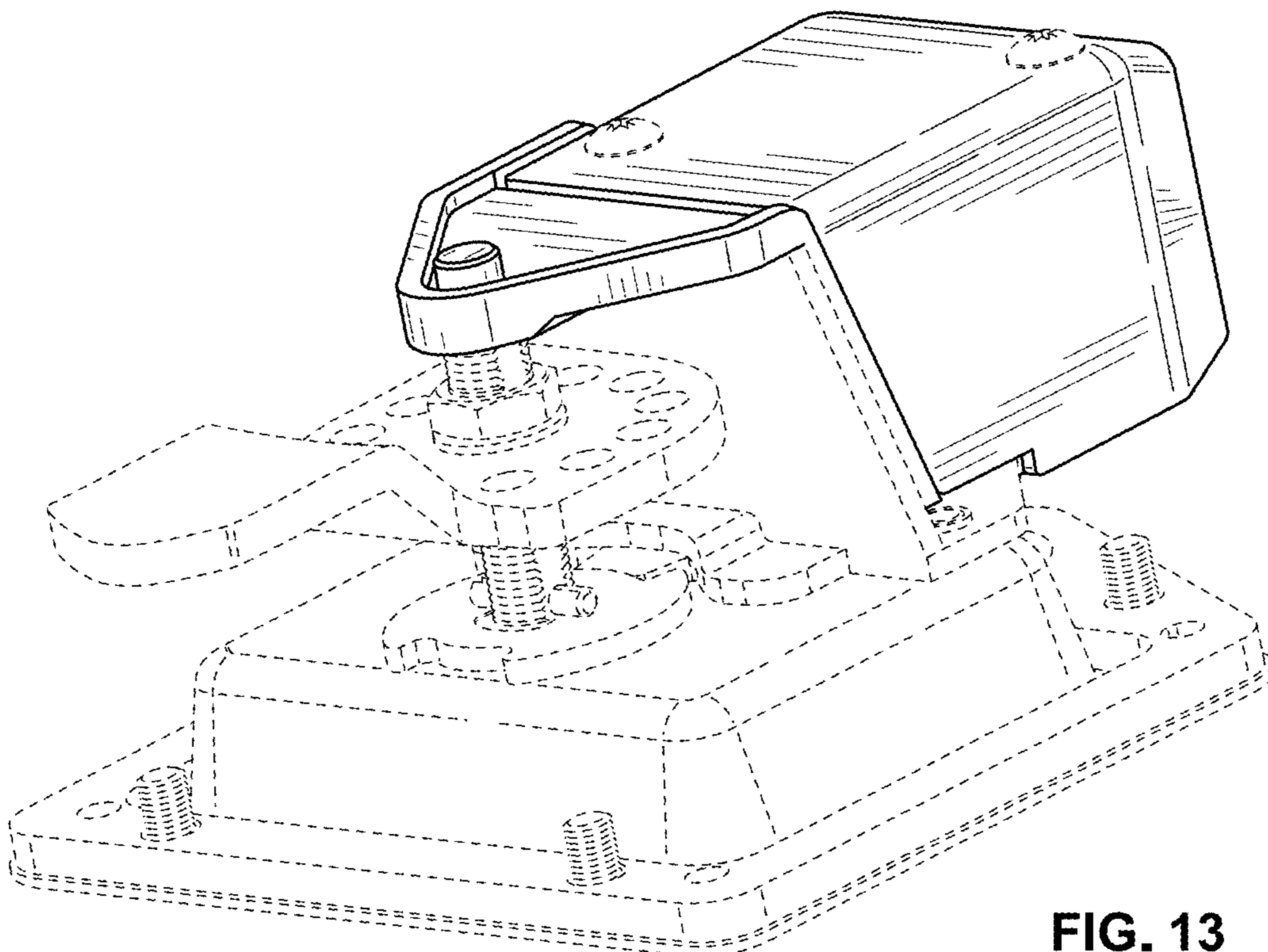


FIG. 13