



US00D939921S

(12) **United States Design Patent** (10) **Patent No.:** **US D939,921 S**
Kumar (45) **Date of Patent:** **** Jan. 4, 2022**

(54) **HINGE**
(71) Applicant: **Southco, Inc.**, Concordville, PA (US)
(72) Inventor: **Vinit Kumar**, Maharashtra (IN)
(73) Assignee: **Southco, Inc.**, Concordville, PA (US)
(**) Term: **15 Years**
(21) Appl. No.: **29/731,182**
(22) Filed: **Apr. 13, 2020**
(51) **LOC (13) Cl.** **08-06**
(52) **U.S. Cl.**
USPC **D8/323**
(58) **Field of Classification Search**
USPC D8/323; 16/250, 251; 292/264;
248/213
CPC E05D 5/12; E05D 501/02; E05D 11/082;
B64G 1/222
See application file for complete search history.

(56) **References Cited**

U.S. PATENT DOCUMENTS

D348,823 S *	7/1994	Bisbing	D8/323
D533,433 S *	12/2006	Loggen	D8/329
D541,624 S *	5/2007	Franchini	D8/328
7,320,152 B2 *	1/2008	Lowry	E05C 17/64
				16/297
D644,499 S *	9/2011	Herglotz	D8/327
D661,174 S *	6/2012	Ogawa	D8/323
D741,142 S *	10/2015	Todd, Jr.	D8/327
D745,363 S *	12/2015	Polo Friz	D8/323
D747,949 S *	1/2016	Lindo	D8/323
D748,450 S *	2/2016	Ganter	D8/323

(Continued)

OTHER PUBLICATIONS

Elesa Ganter CFA Hinges, downloaded at <https://www.elesa-ganter.com/en/www/products/hinges-1/Hinges-Hinges-CFA>, 2020, 9 pages.

Primary Examiner — Cynthia R Underwood
(74) *Attorney, Agent, or Firm* — RatnerPrestia

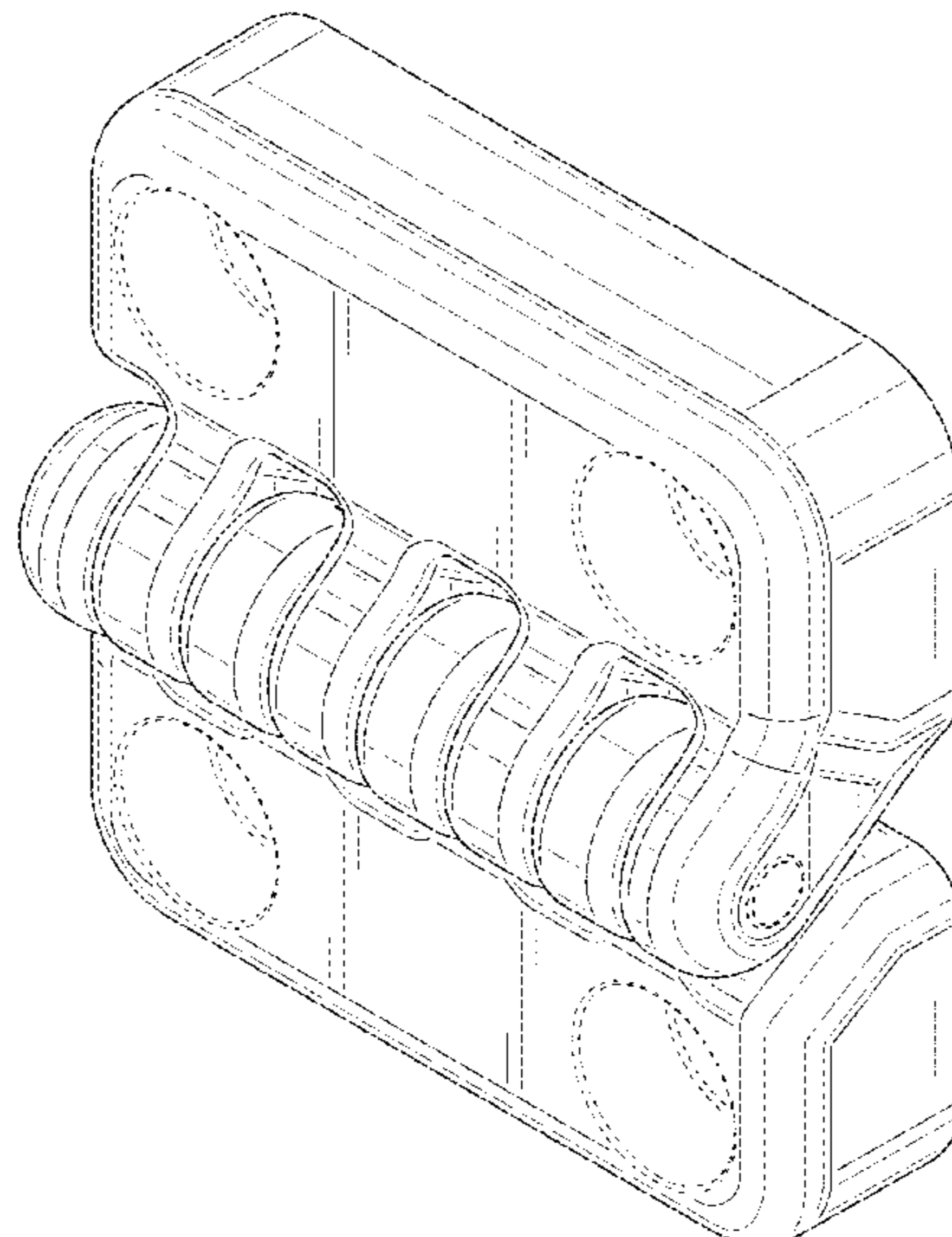
(57) **CLAIM**

The ornamental design for a hinge, as shown and described.

DESCRIPTION

FIG. 1 is an isometric view of a hinge, as viewed from the top, front and right sides, and according to a first embodiment;
FIG. 2 is a top plan view thereof;
FIG. 3 is a bottom plan view thereof;
FIG. 4 is a left side elevation view thereof;
FIG. 5 is a right side elevation view thereof;
FIG. 6 is a front elevation view thereof;
FIG. 7 is a rear elevation view thereof;
FIG. 8 is an isometric view thereof as viewed from the bottom, front and left sides; and
FIG. 9 is an isometric view thereof as viewed from the top, front and right sides, wherein the hinge is shown in a rotated state.
FIG. 10 is an isometric view of a hinge, as viewed from the top, front and right sides, and according to a second embodiment;
FIG. 11 is a top plan view thereof;
FIG. 12 is a bottom plan view thereof;
FIG. 13 is a left side elevation view thereof;
FIG. 14 is a right side elevation view thereof;
FIG. 15 is a front elevation view thereof;
FIG. 16 is a rear elevation view thereof;
FIG. 17 is an isometric view thereof as viewed from the bottom, front and left sides; and,
FIG. 18 is an isometric view thereof as viewed from the top, front and right sides, wherein the hinge is shown in a rotated state.
The broken line showing of the hinge is for the purpose of illustrating portions of the hinge and forms no part of the claimed design.

1 Claim, 15 Drawing Sheets



(56)

References Cited

U.S. PATENT DOCUMENTS

D789,766	S *	6/2017	Todd, Jr.	D8/323
D796,296	S *	9/2017	Kaplan	D8/323
10,151,128	B2 *	12/2018	Hatano	E05D 11/084
D839,713	S *	2/2019	Woolley	D8/323
10,202,791	B1 *	2/2019	Jean	E05D 11/082
D842,679	S *	3/2019	Todd, Jr.	D8/323
D859,127	S *	9/2019	Todd, Jr.	D8/323
10,626,651	B2 *	4/2020	Chang	E05F 3/20
10,851,570	B2 *	12/2020	Smith	E05D 11/06

* cited by examiner

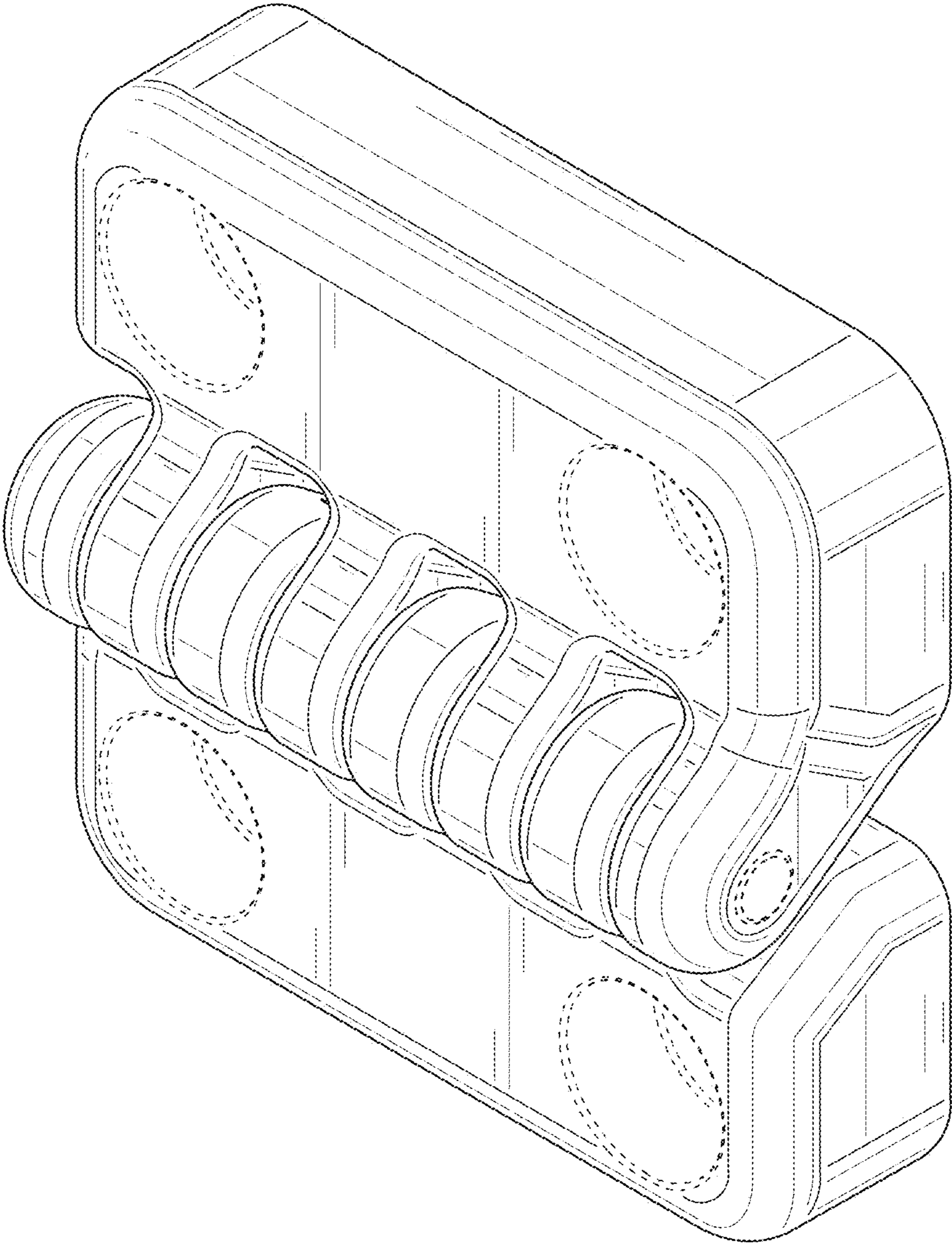


FIG. 1

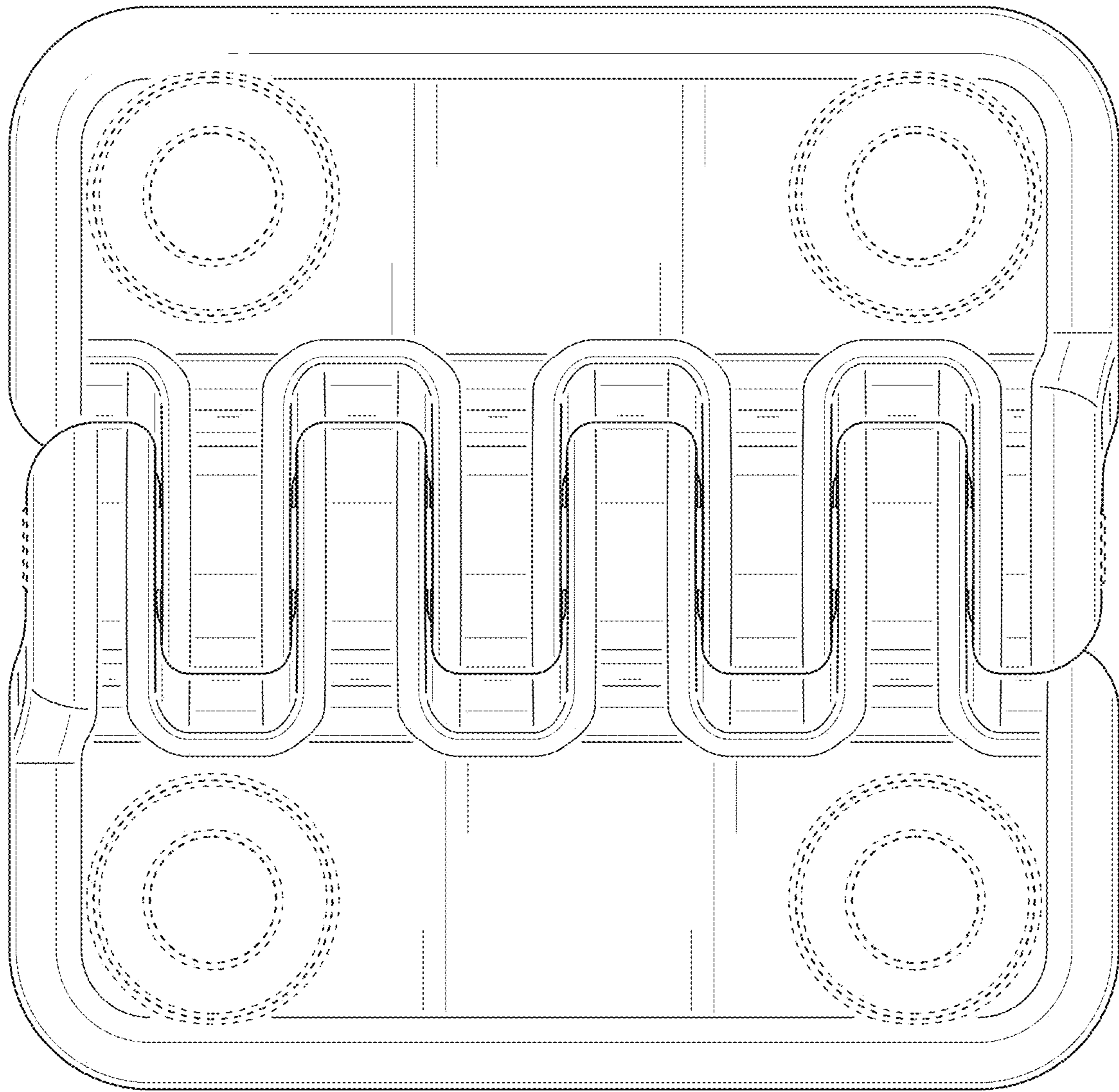


FIG. 2

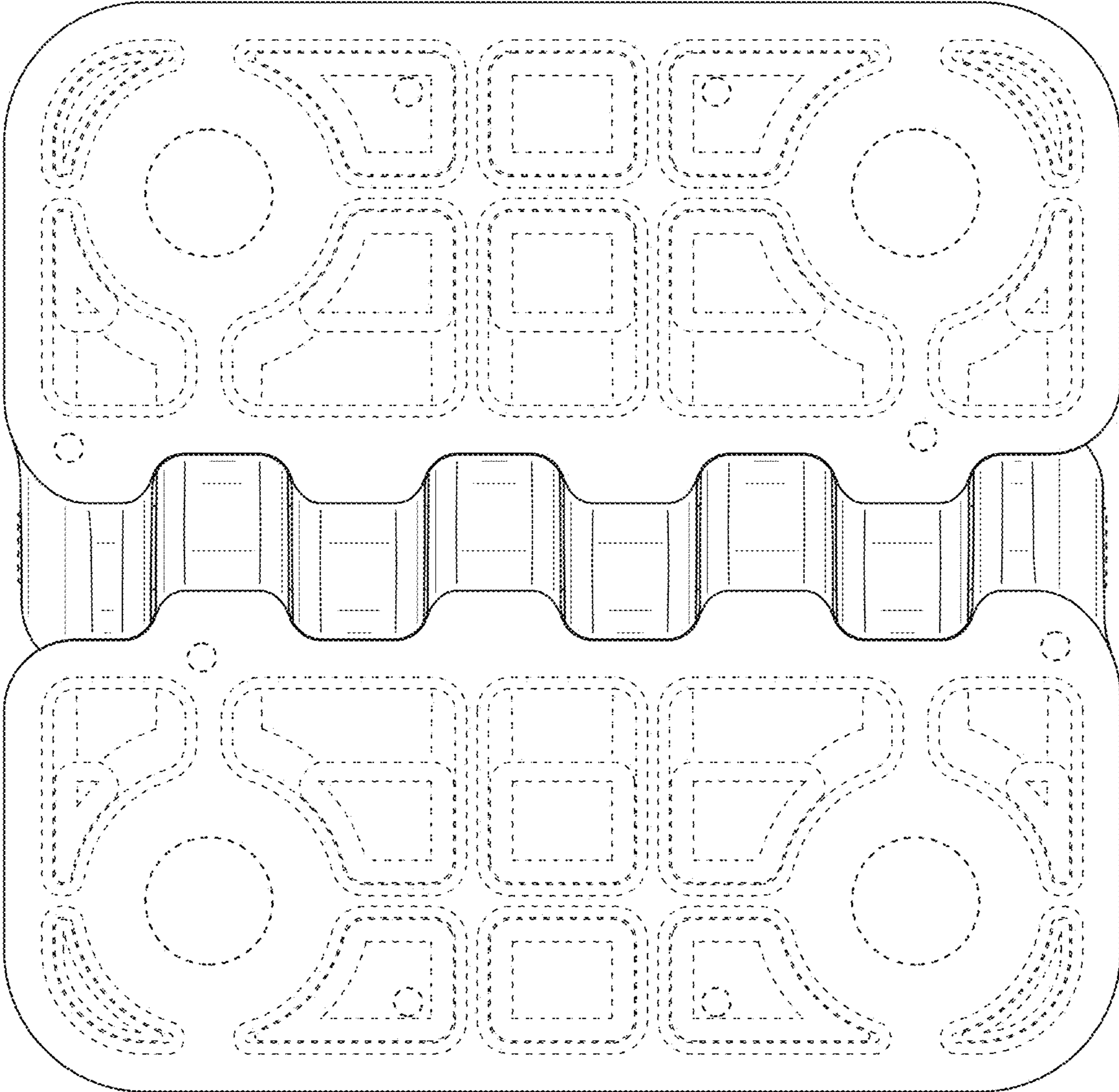


FIG. 3

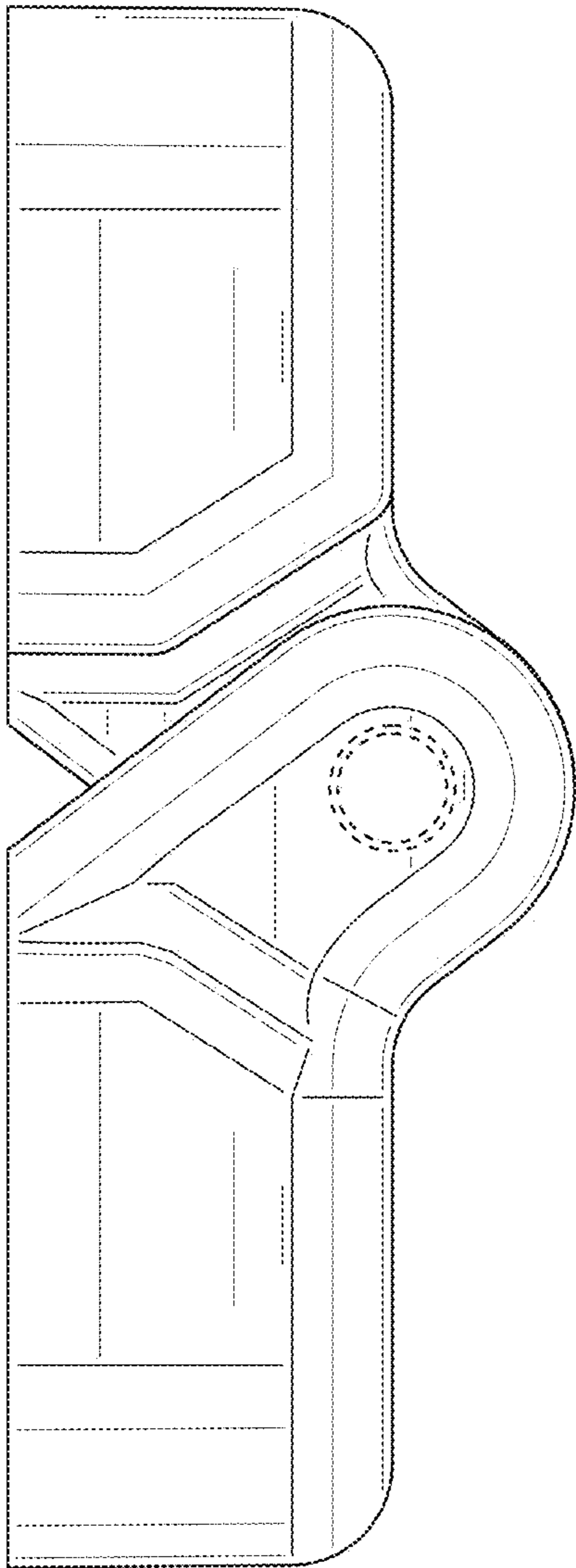


FIG. 4

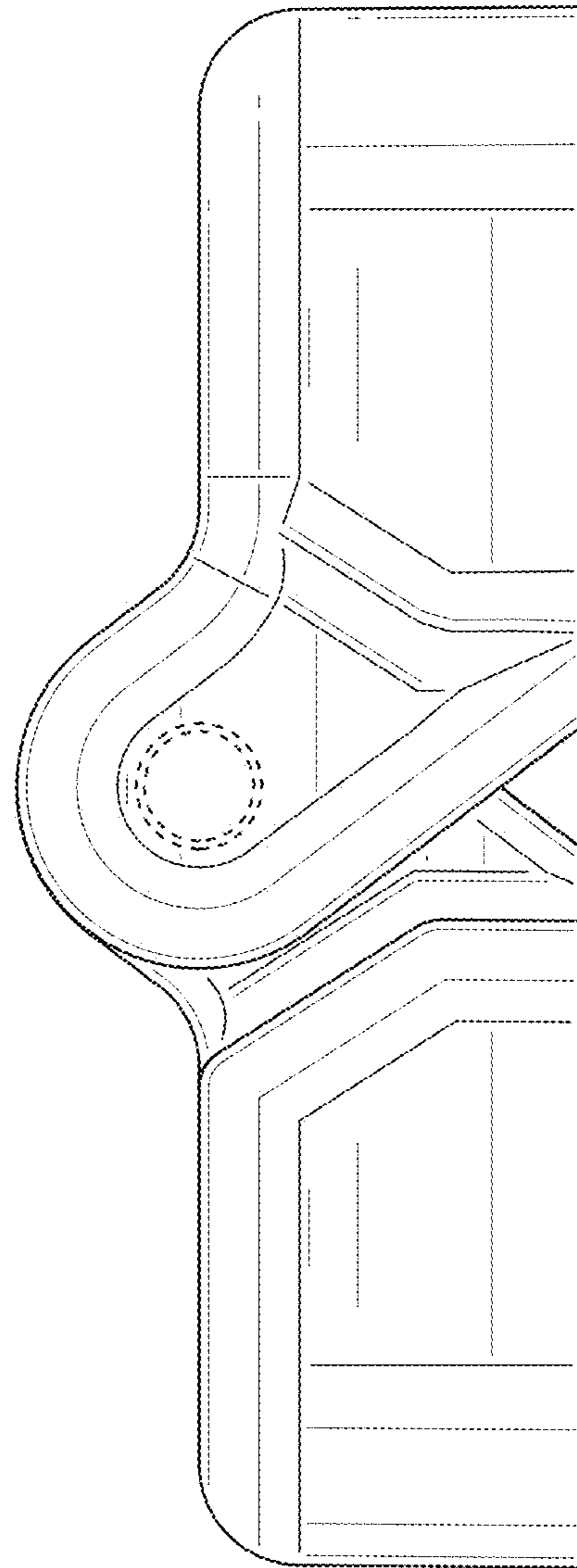


FIG. 5

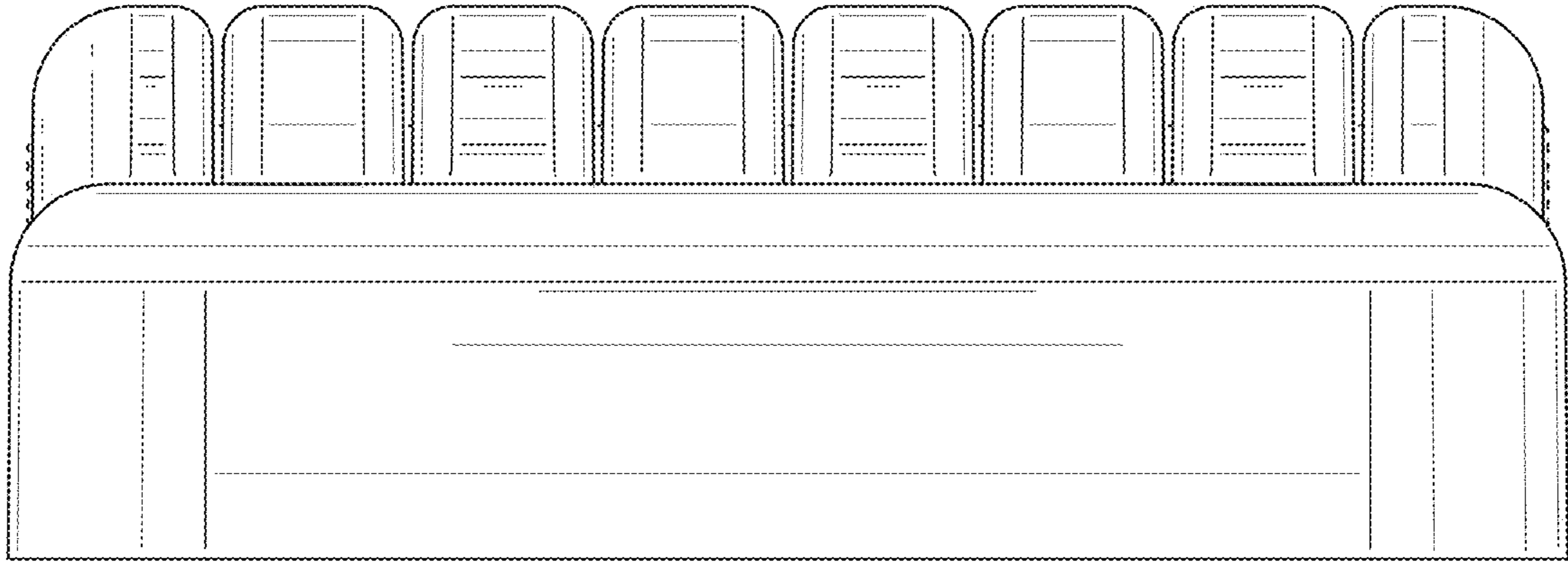


FIG. 6

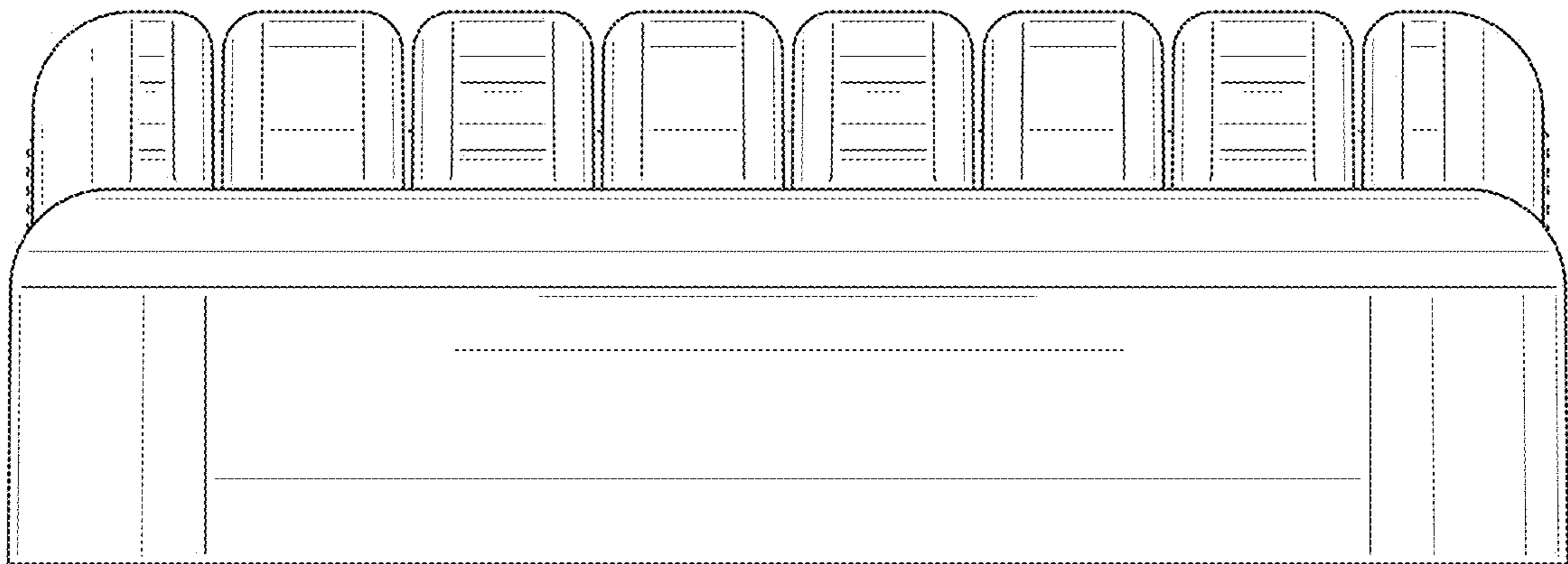


FIG. 7

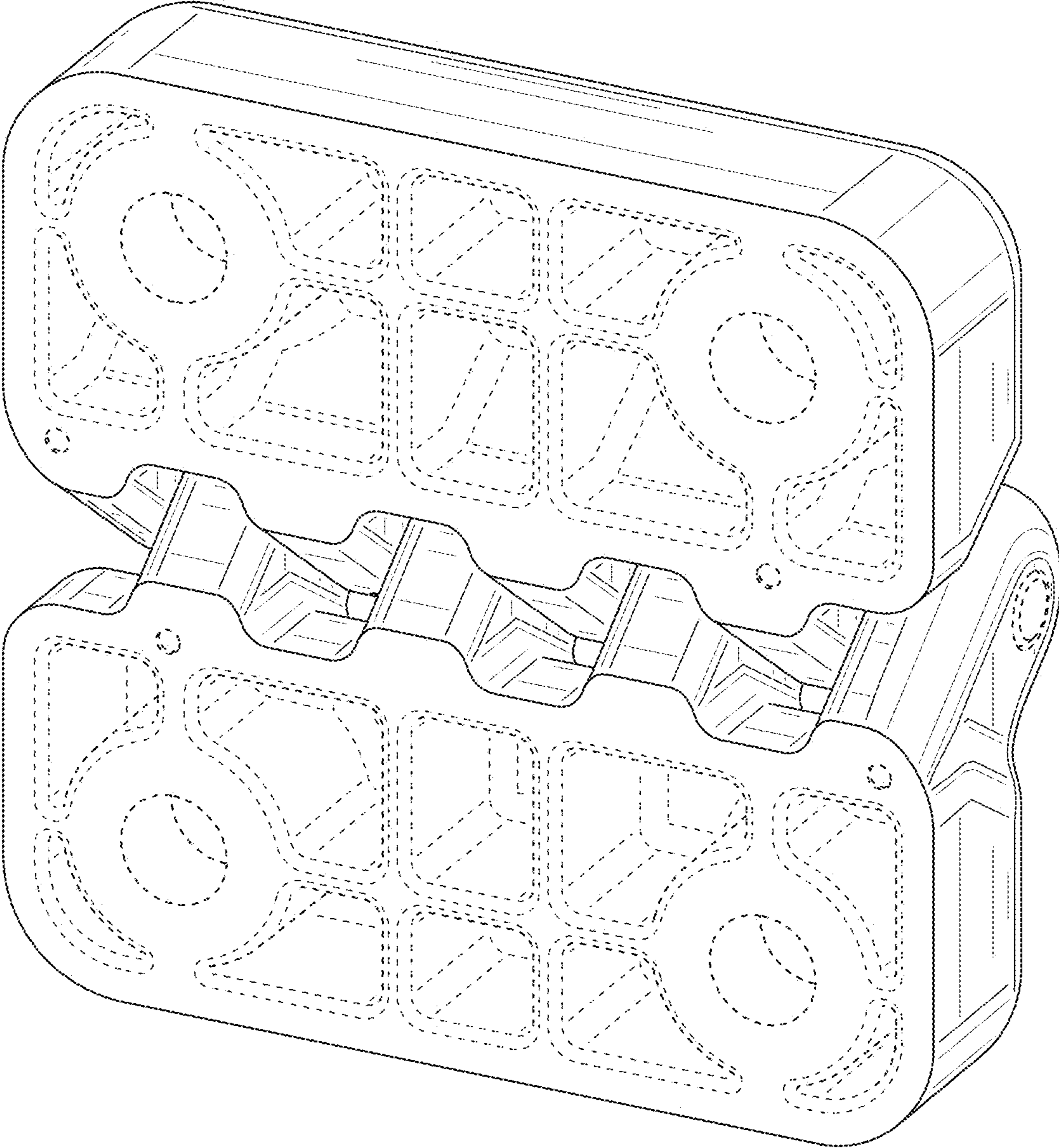


FIG. 8

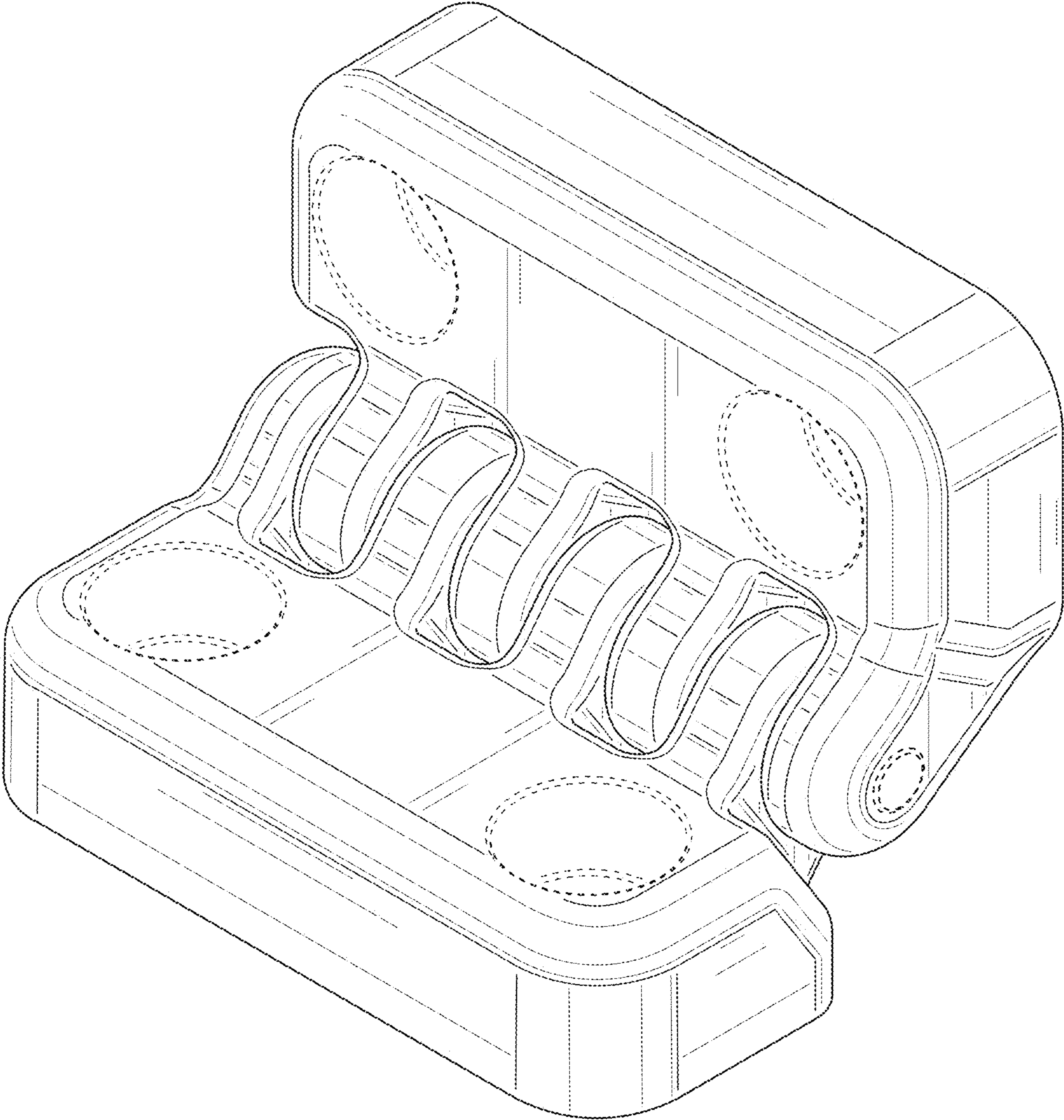


FIG. 9

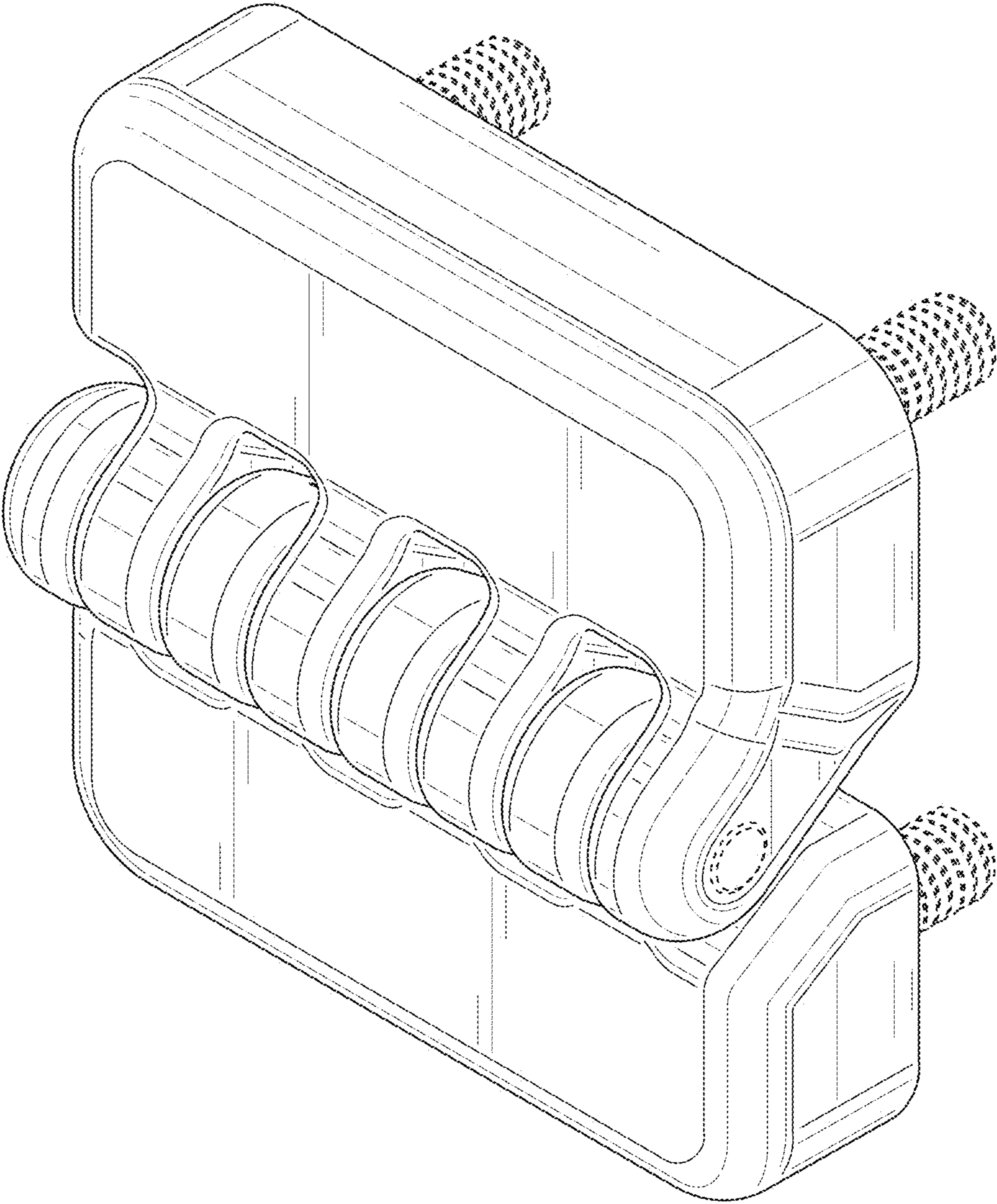


FIG. 10

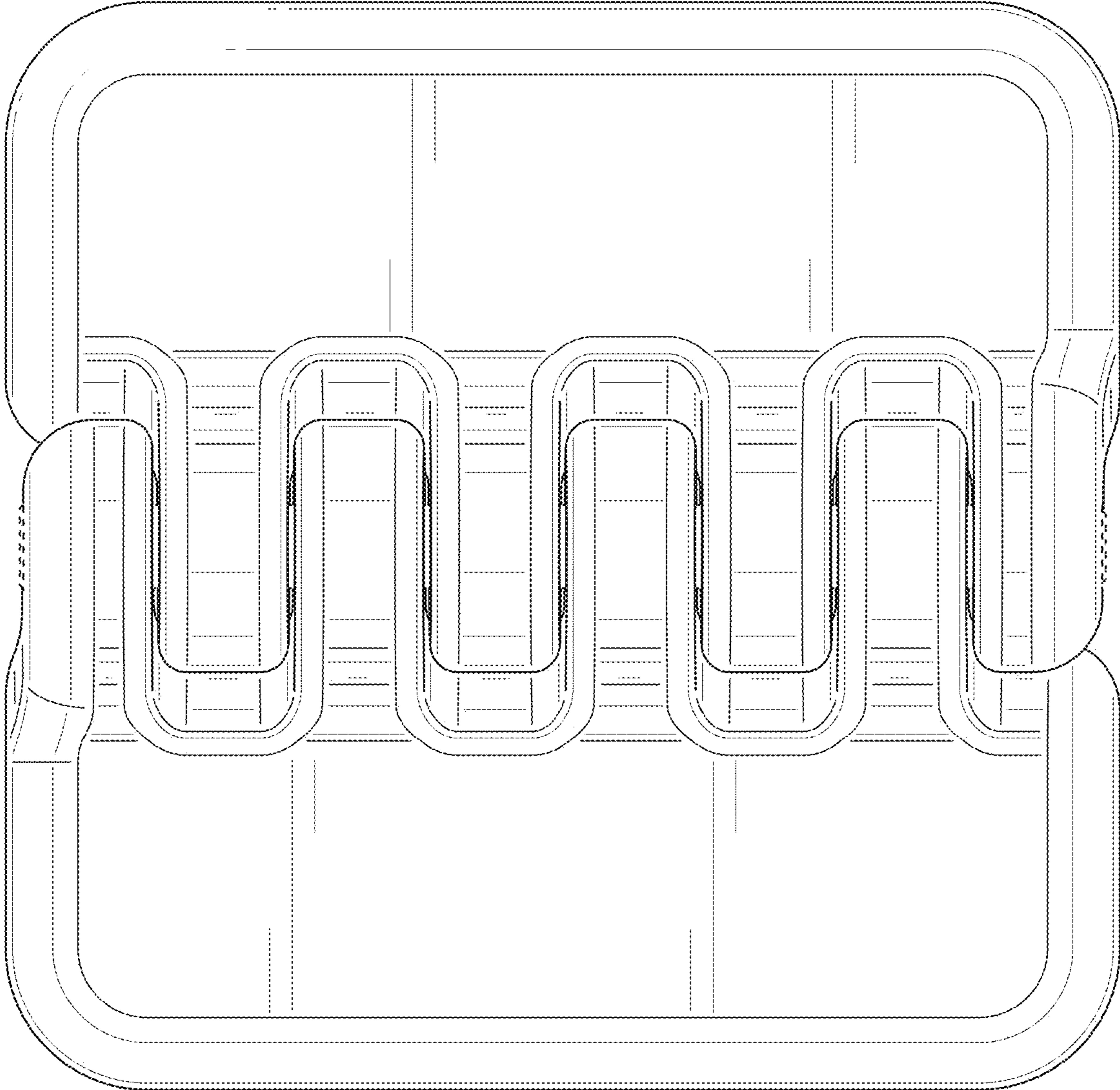


FIG. 11

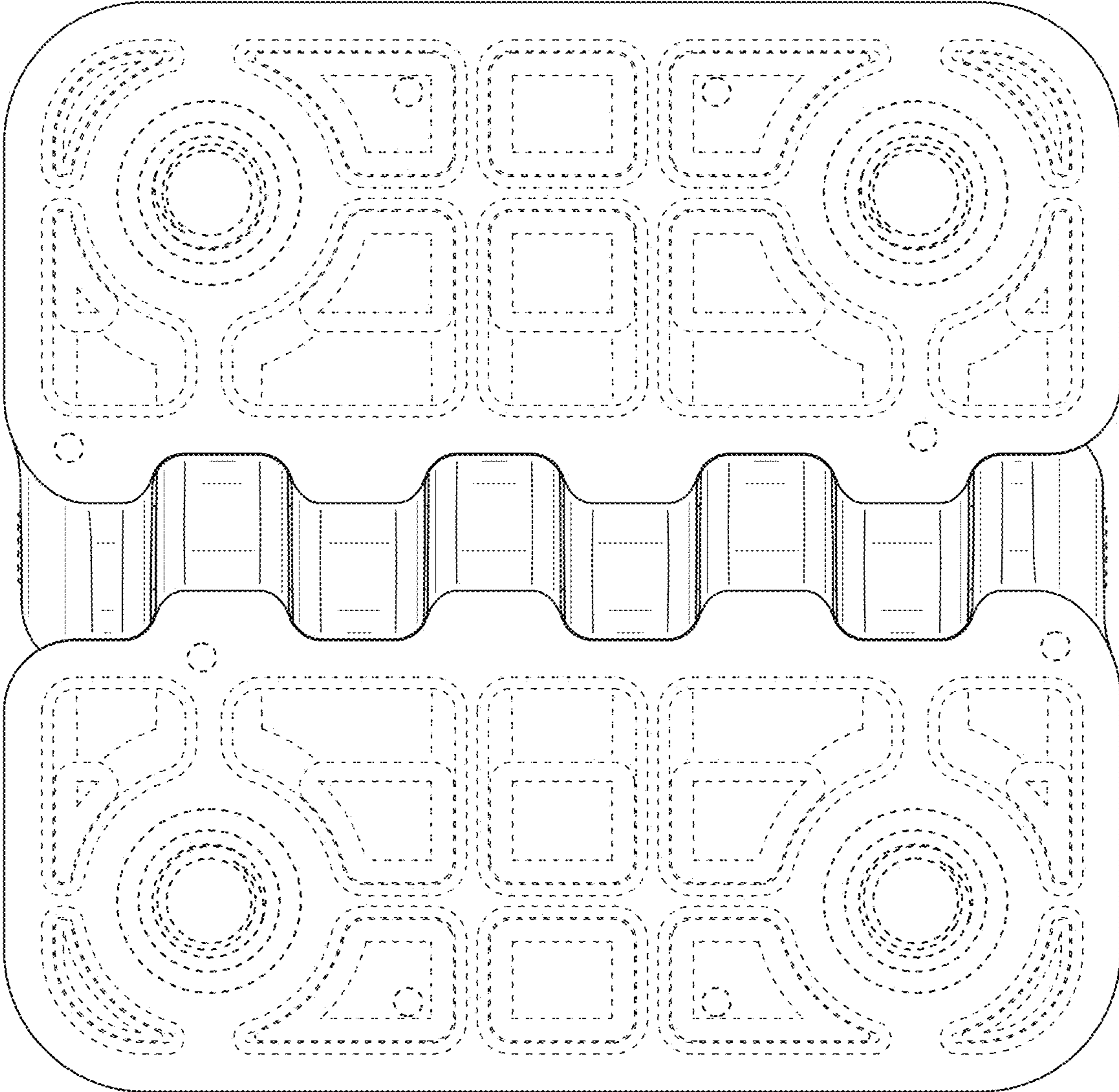


FIG. 12

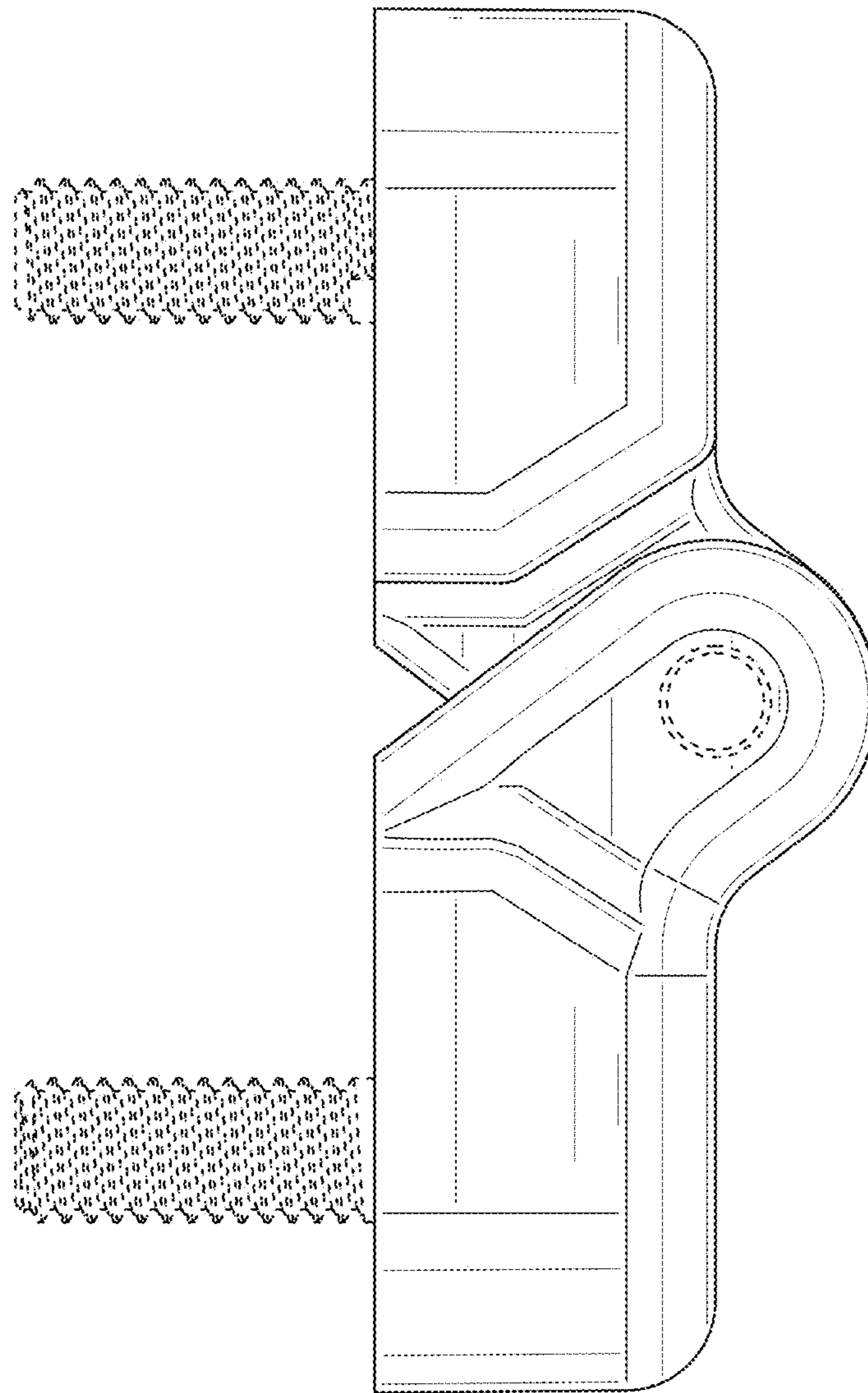


FIG. 13

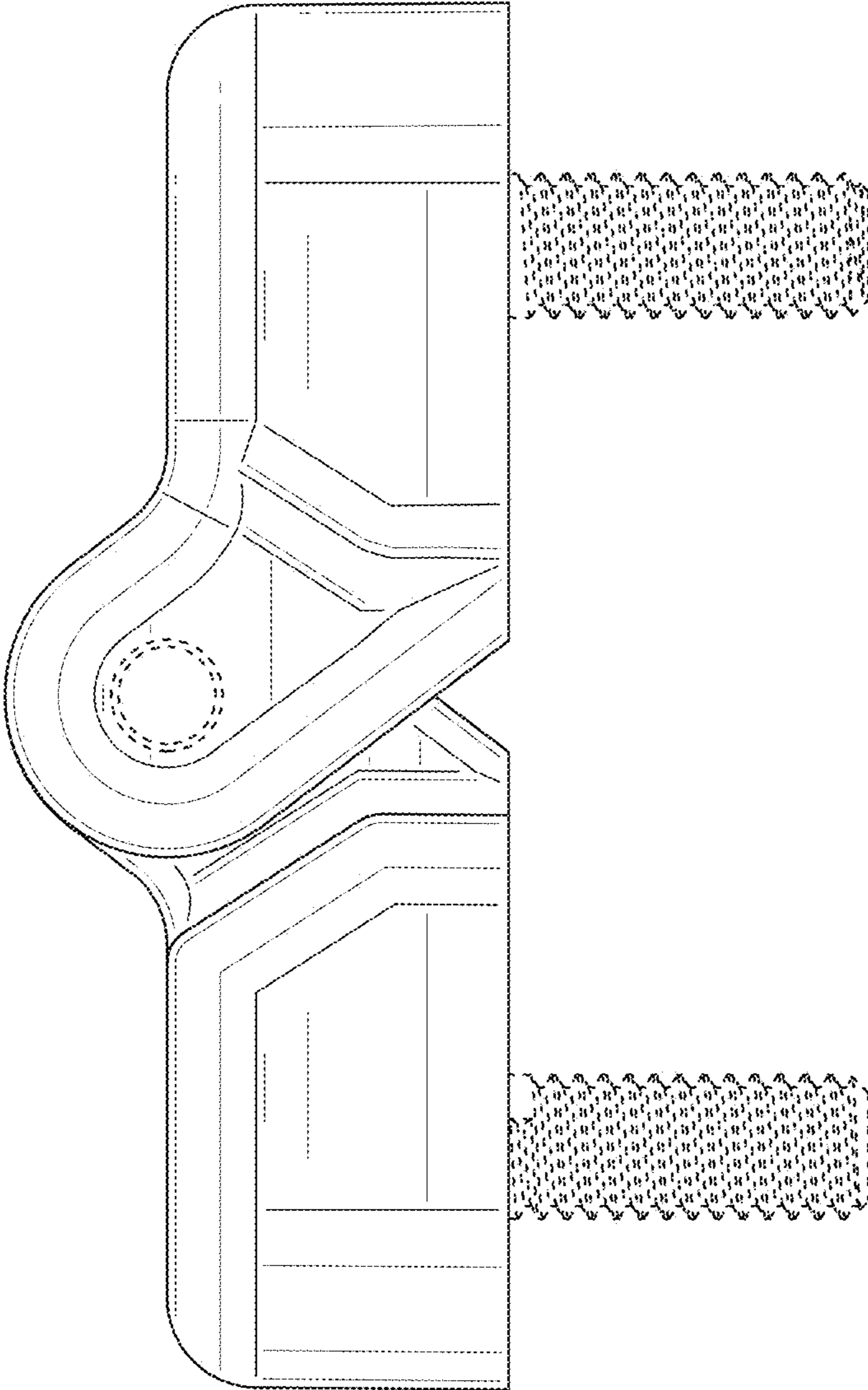


FIG. 14

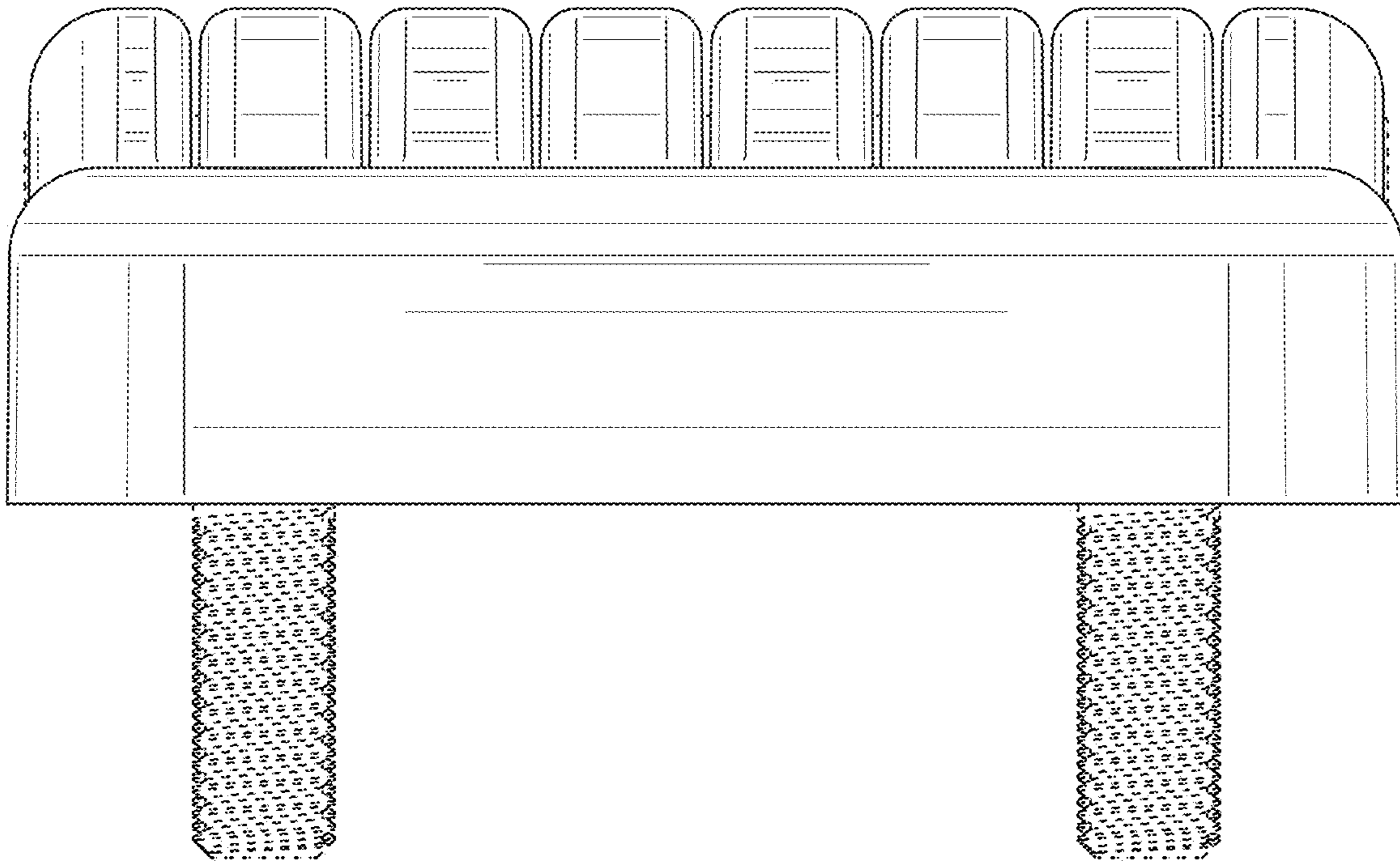


FIG. 15

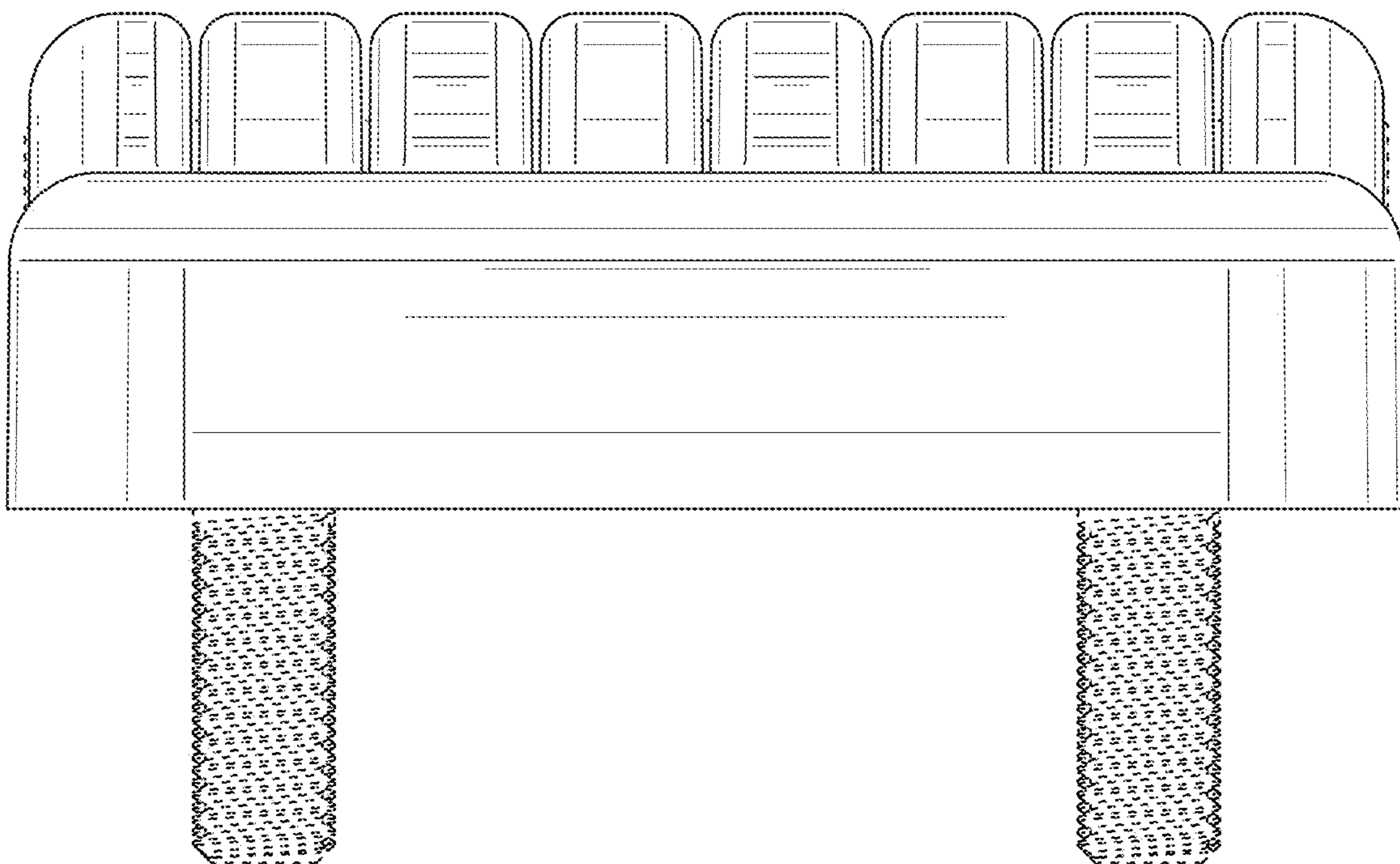


FIG. 16

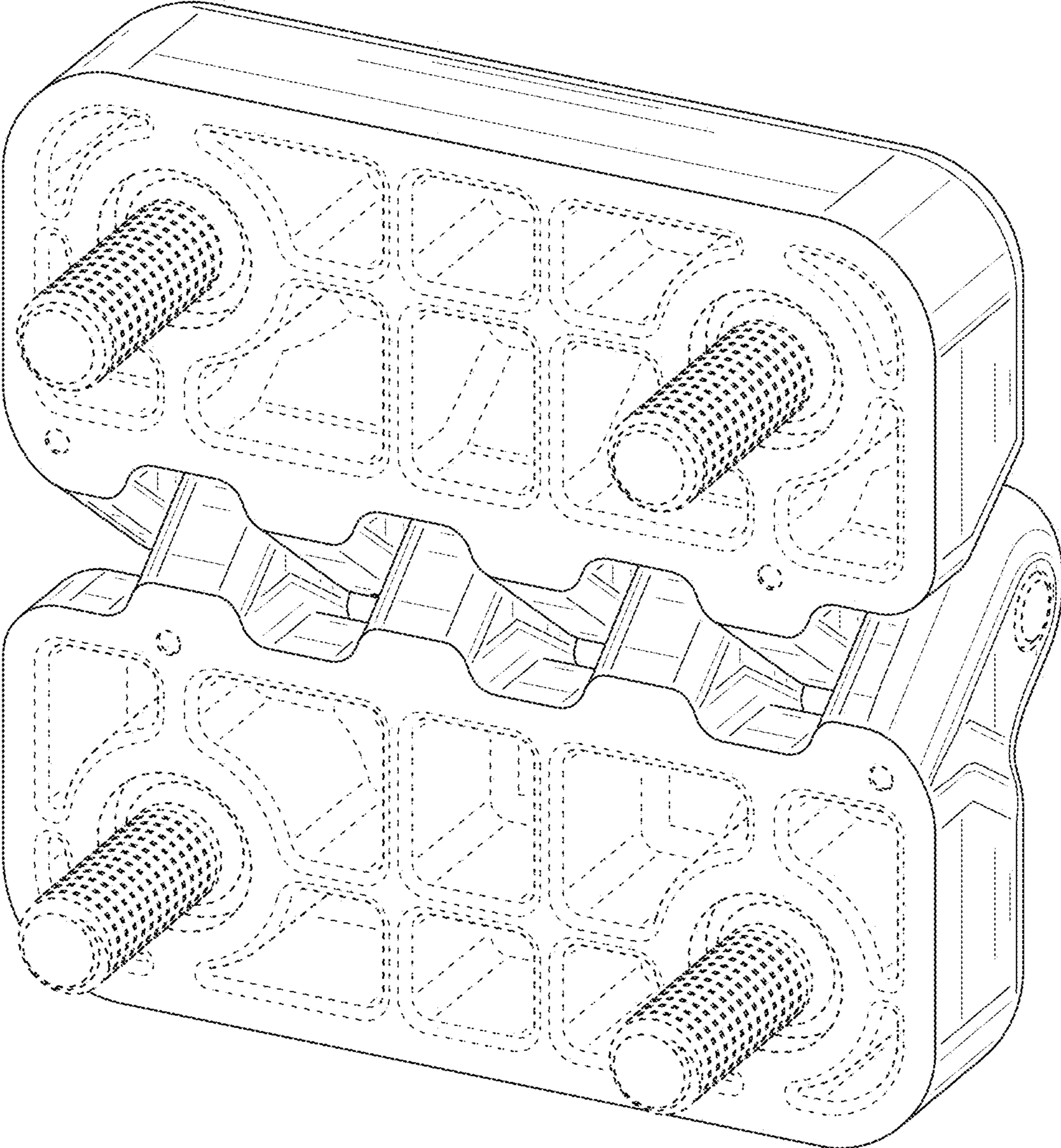


FIG. 17

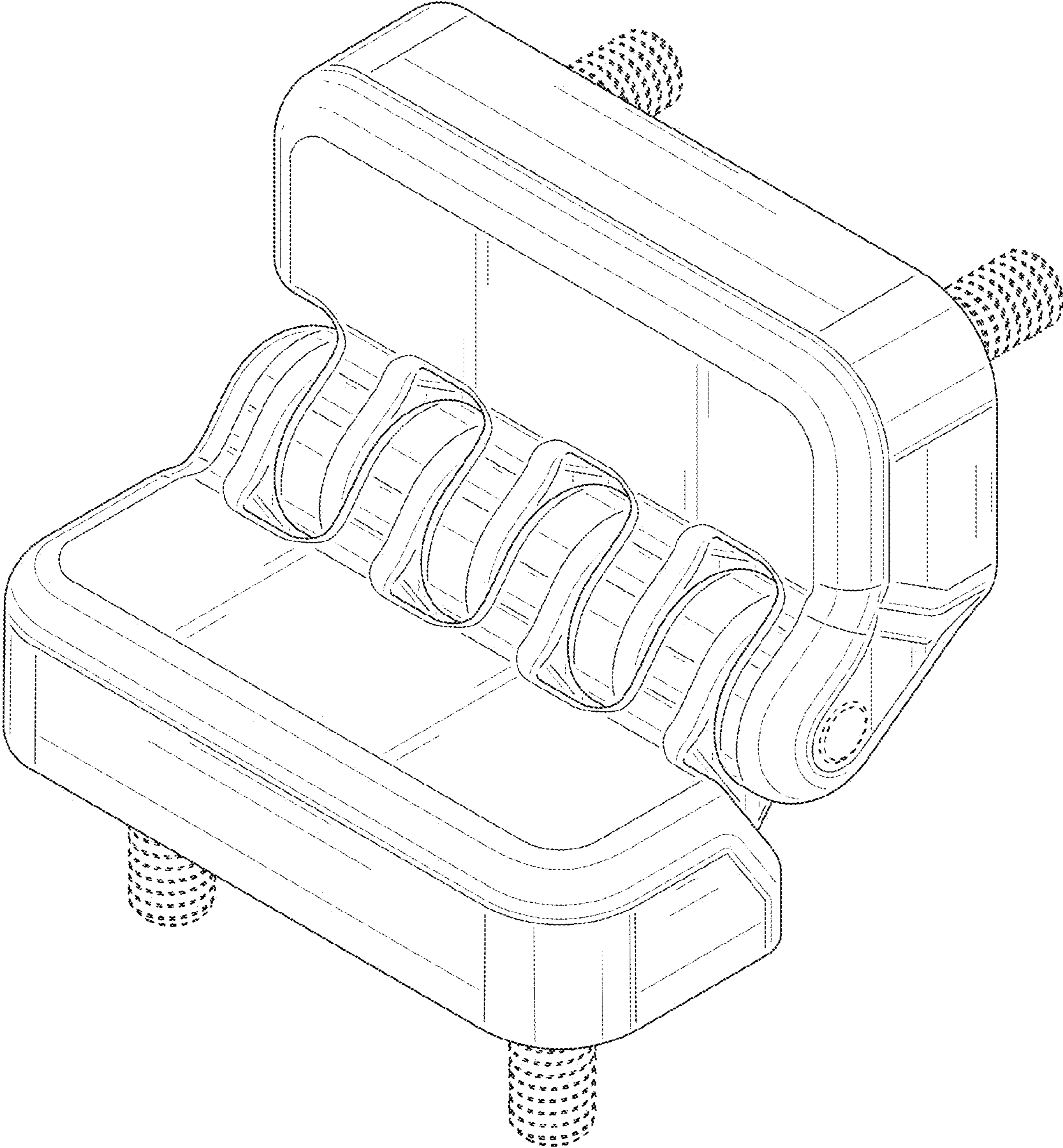


FIG. 18