

US00D939920S

(12) **United States Design Patent**
Gabbai et al.

(10) **Patent No.:** **US D939,920 S**
(45) **Date of Patent:** **** Jan. 4, 2022**

(54) **HANDLE**

- (71) Applicant: **M. Arthur Gensler, Jr. & Associates, Inc.**, New York, NY (US)
- (72) Inventors: **Ephraim Jonas Gabbai**, Brooklyn, NY (US); **Niti Dilip Dattani**, Hillsborough, NJ (US)
- (73) Assignee: **M. ARTHUR GENSLER, JR. & ASSOCIATES, INC.**, New York, NY (US)

- D368,843 S 4/1996 Chieda
- D377,596 S 1/1997 Simon et al.
- D381,252 S 7/1997 Chieda
- D403,230 S 12/1998 Ziemer et al.
- D448,272 S 9/2001 Miller
- D540,585 S * 4/2007 Igarashi D6/518
- D552,959 S 10/2007 Gilboe
- D563,197 S 3/2008 Lowe
- D570,646 S 6/2008 Jeon
- D572,109 S 7/2008 Busalt et al.
- D572,110 S 7/2008 Busalt et al.
- D572,111 S 7/2008 Busalt et al.

(Continued)

(**) Term: **15 Years**

(21) Appl. No.: **29/780,034**

(22) Filed: **Apr. 22, 2021**

Related U.S. Application Data

- (62) Division of application No. 29/656,693, filed on Jul. 16, 2018.
- (51) **LOC (13) Cl.** **08-06**
- (52) **U.S. Cl.**
USPC **D8/316**
- (58) **Field of Classification Search**
USPC D8/315, 316, 317, 318, 319, 320;
D6/549; 15/235.5
CPC B25G 3/00
See application file for complete search history.

(56) **References Cited**

U.S. PATENT DOCUMENTS

- D193,468 S * 8/1962 Thompson D8/319
- 4,399,583 A 8/1983 Jarvis
- D298,797 S * 12/1988 White D8/319
- D314,323 S * 2/1991 Tremonti D8/316
- D320,337 S 10/1991 Tye et al.
- 5,115,536 A 5/1992 Jarvis
- D343,107 S 1/1994 Fulton

OTHER PUBLICATIONS

www.amazon.com, KES 24-Inch Bathroom Single Towel Bar Wall Mount Matte Black SUS 304 Stainless Steel, A23000S60-BK, Jan. 1, 2018 (Year: 2018).

Primary Examiner — Keli L Hill

Assistant Examiner — Harold E Blackwell, II

(74) *Attorney, Agent, or Firm* — Volpe Koenig

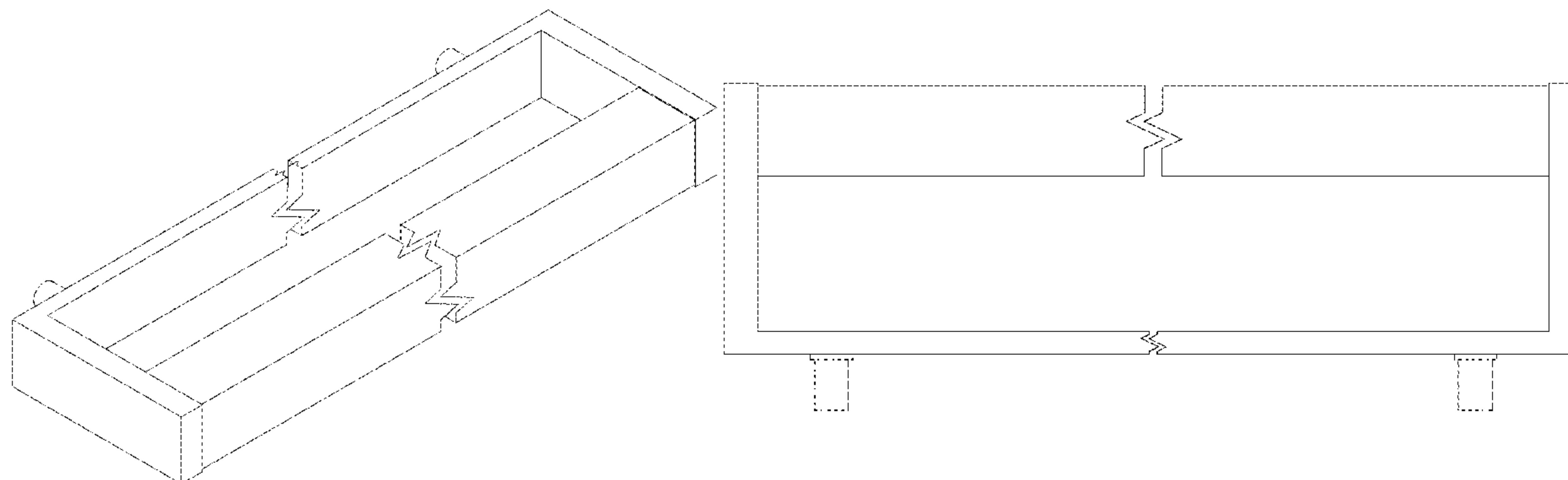
(57) **CLAIM**

The ornamental design for a handle, as shown and described.

DESCRIPTION

FIG. 1 is a top perspective view of the handle of our design; FIG. 2 is a rear view thereof; FIG. 3 is a top view of the handle of FIG. 1, the bottom view being identical thereto; FIG. 4 is a front view of the handle of FIG. 1; and, FIG. 5 is a left side view of the handle of FIG. 1, the right side being a mirror image thereof. The handle is shown with a symbolic break in its length in FIGS. 1-4. The appearance of any portion of the article between the break lines forms no part of the claimed design. The broken lines in the figures form no part of the claimed design.

1 Claim, 5 Drawing Sheets



(56)

References Cited

U.S. PATENT DOCUMENTS

D574,217 S	8/2008	Jou	
D577,567 S	9/2008	Crookshanks	
D605,924 S	12/2009	Hanes	
D606,839 S	12/2009	Urquiola	
D612,677 S	3/2010	Jeon	
D614,013 S	4/2010	Saubert et al.	
D643,277 S	8/2011	Roe	
D644,485 S	9/2011	Rae	
D666,867 S	9/2012	Rae	
D668,124 S	10/2012	Lewis	
D683,181 S	5/2013	Rae	
D704,031 S	5/2014	Jou	
D708,927 S	7/2014	Han	
D724,411 S	3/2015	Han	
D725,457 S	3/2015	Sprague	
D730,148 S *	5/2015	Magnusson	D8/313
D736,055 S	8/2015	Funnell et al.	
D741,139 S *	10/2015	Sheppard	D8/319
D747,948 S	1/2016	Funnell et al.	
D749,393 S	2/2016	Lee et al.	
D764,833 S *	8/2016	Citterio	D6/549
D785,367 S *	5/2017	Eads	D6/549
D812,929 S *	3/2018	Garland	D6/549
D826,686 S *	8/2018	Kim	D8/315
D849,503 S *	5/2019	Lee	D8/315
D891,146 S *	7/2020	Seum	D6/546
D896,058 S *	9/2020	Prezner	D8/319
D897,724 S	10/2020	Garland	
D903,830 S *	12/2020	York	D23/254
2005/0060844 A1	3/2005	Chiang	

* cited by examiner

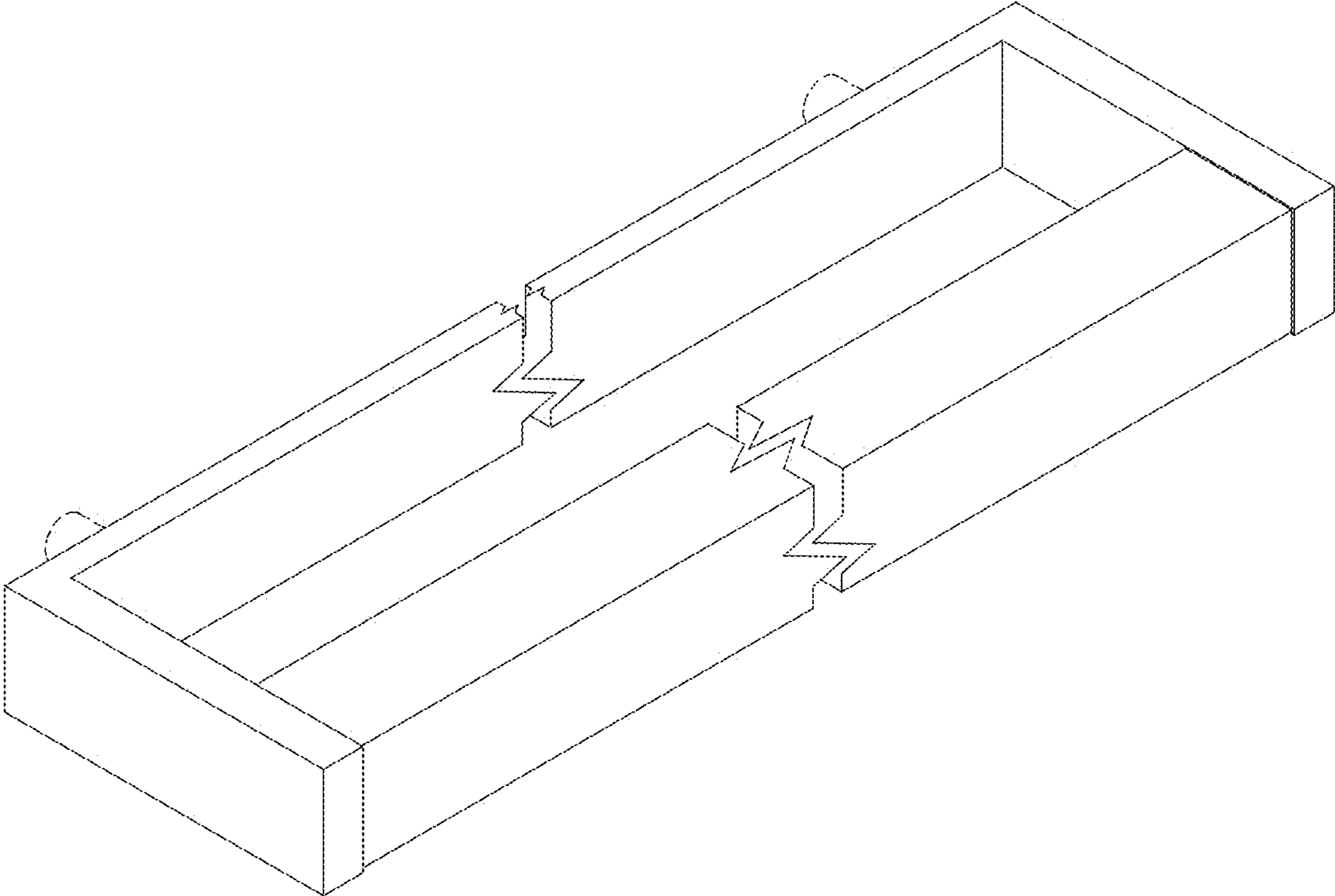


FIG. 1

FIG. 2

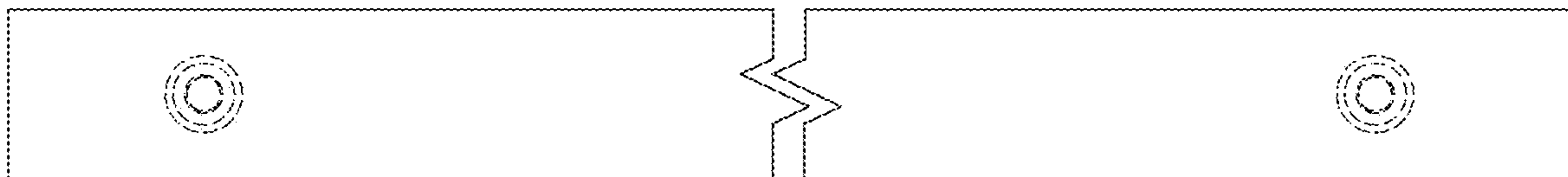


FIG. 3

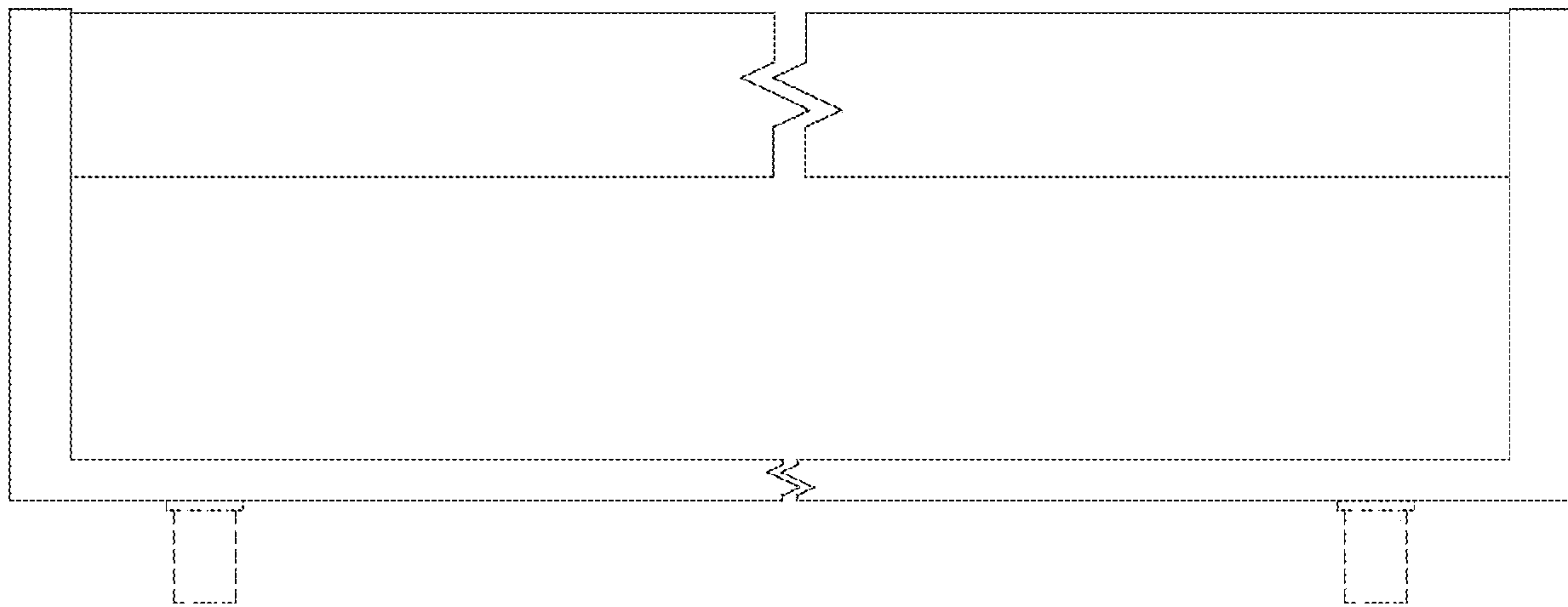
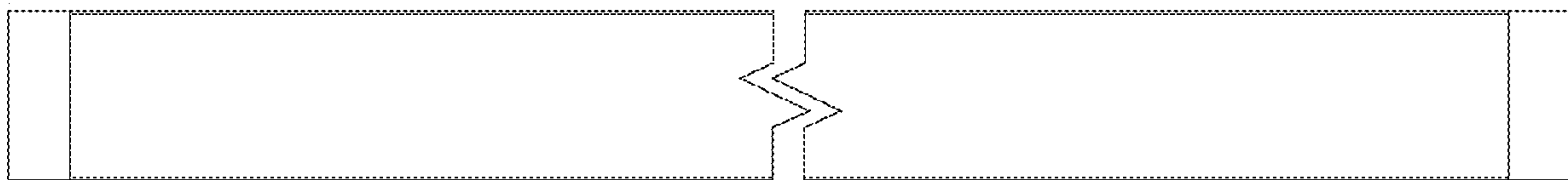


FIG. 4



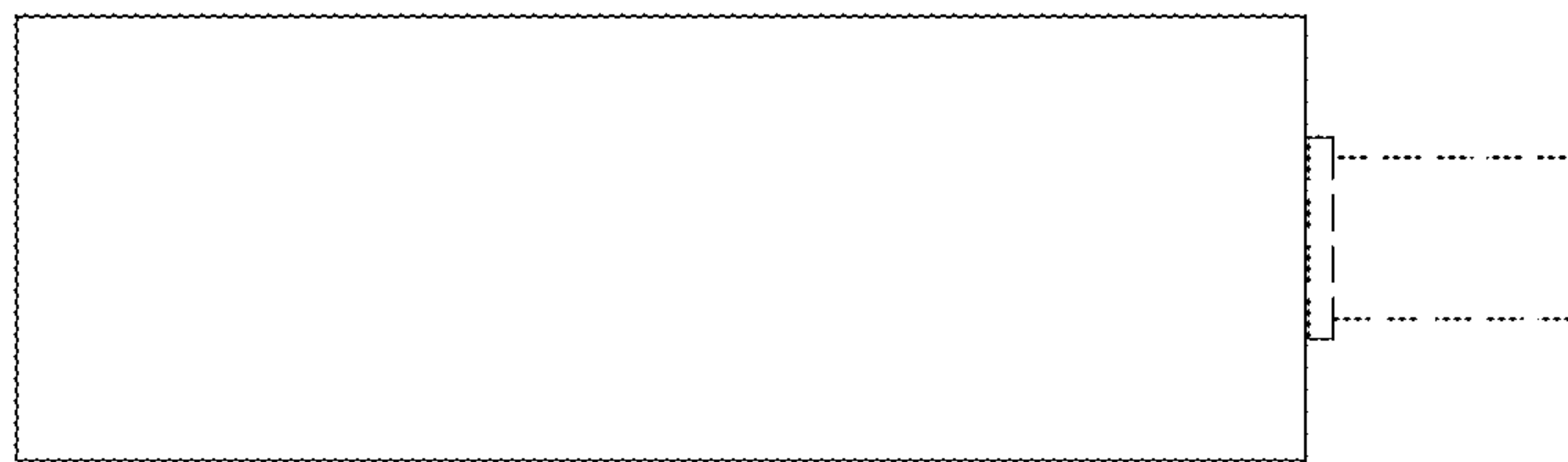


FIG. 5