



US00D939919S

(12) **United States Design Patent**  
**Watson**

(10) **Patent No.:** **US D939,919 S**  
(45) **Date of Patent:** **\*\* Jan. 4, 2022**

- (54) **KNOB**
- (71) Applicant: **Schlage Lock Company LLC**, Carmel, IN (US)
- (72) Inventor: **Aida K. N. Watson**, Noblesville, IN (US)
- (73) Assignee: **Schlage Lock Company LLC**, Carmel, IN (US)
- (\*\*) Term: **15 Years**
- (21) Appl. No.: **29/747,010**
- (22) Filed: **Aug. 19, 2020**
- (51) **LOC (13) Cl.** ..... **08-06**
- (52) **U.S. Cl.**  
USPC ..... **D8/307**
- (58) **Field of Classification Search**  
USPC ..... D8/300, 307, 310; D7/393; D23/250, D23/252, 254  
CPC ... Y10T 292/57; Y10T 16/469; Y10T 292/82; Y10T 74/2084; Y10T 292/85; Y10T 16/458; Y10T 16/506; Y10T 70/5155; Y10T 16/46; Y10T 16/4559; Y10T 74/20828; Y10T 70/8541; Y10T 74/20612; Y10T 16/459; Y10T 16/487; Y10T 70/5389; Y10T 16/462; Y10T 16/4636; E05B 1/0007; E05B 3/00; Y10S 16/30; Y10S 292/53; Y10S 292/27  
See application file for complete search history.

(56) **References Cited**

**U.S. PATENT DOCUMENTS**

- 2,190,192 A \* 2/1940 Raymond ..... E05B 1/0015 16/417
- 2,688,181 A \* 9/1954 Livermont ..... B21D 26/033 428/583
- D203,148 S \* 12/1965 Kaiser ..... D23/250
- D218,379 S \* 8/1970 Bremshey ..... D3/12

- 4,790,208 A \* 12/1988 Johnson ..... G05G 1/12 16/441
  - D511,931 S \* 11/2005 Sano ..... D7/393
  - D540,141 S \* 4/2007 Berberet ..... D8/307
  - D542,622 S \* 5/2007 Ricereto ..... D8/307
  - D612,703 S \* 3/2010 Hanes ..... D8/307
  - D617,605 S \* 6/2010 Munari ..... D7/393
  - D703,022 S \* 4/2014 Nordwall ..... B25G 1/04 D8/307
  - D713,673 S \* 9/2014 Rae ..... D7/393
- (Continued)

*Primary Examiner* — Lauren R Calve

(74) *Attorney, Agent, or Firm* — Taft Stettinius & Hollister LLP

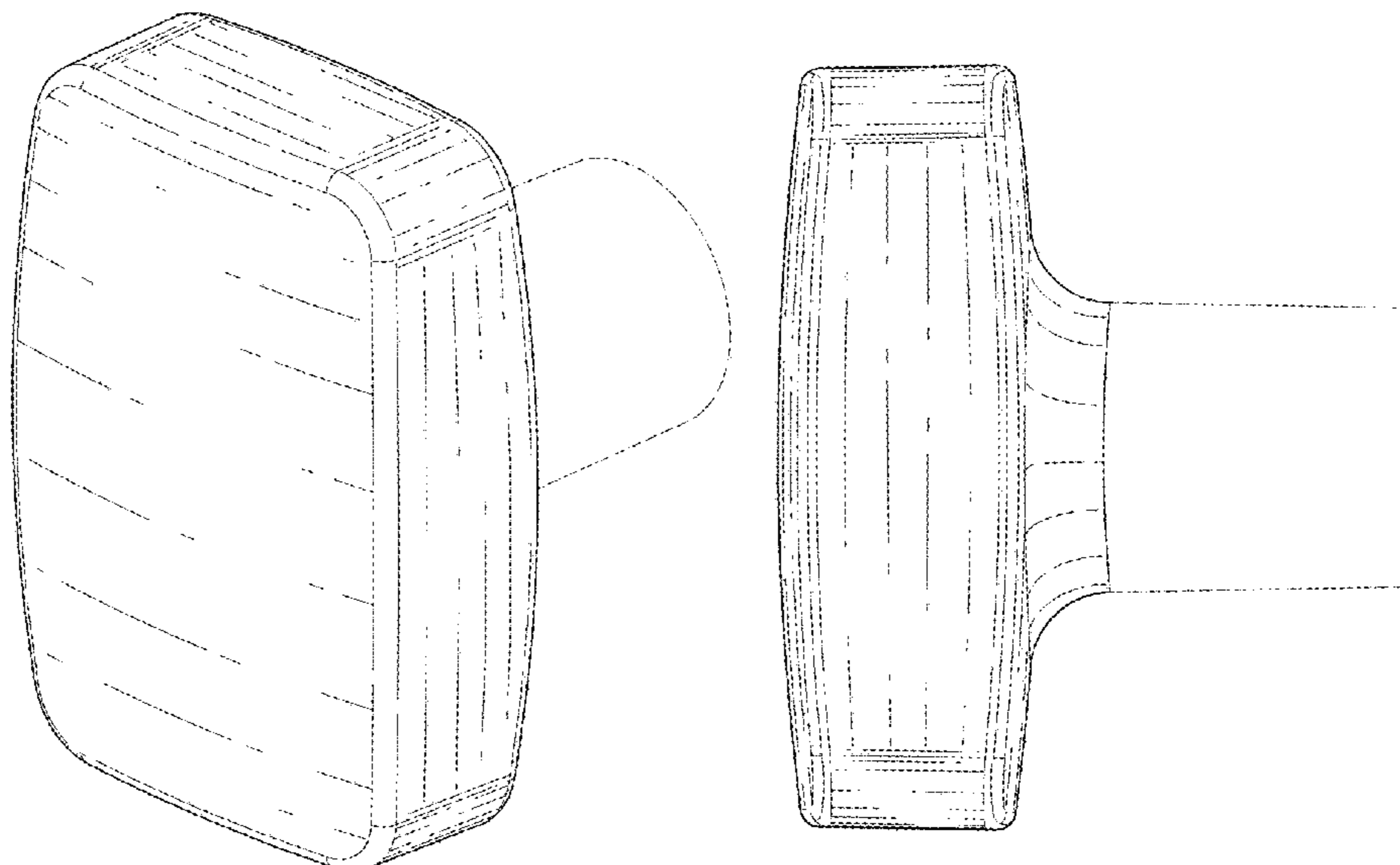
(57) **CLAIM**

The ornamental design for a knob, as shown and described.

**DESCRIPTION**

FIG. 1 is a front, top, right side perspective view of one embodiment of a knob showing my new design;  
 FIG. 2 is a rear, bottom, left side perspective view of FIG. 1;  
 FIG. 3 is a front elevational view of FIG. 1;  
 FIG. 4 is a top plan view of FIG. 1;  
 FIG. 5 is a bottom plan view of FIG. 1;  
 FIG. 6 is a right side elevational view of FIG. 1;  
 FIG. 7 is a left side elevational view of FIG. 1;  
 FIG. 8 is a front, top, right side perspective view of another embodiment of a knob;  
 FIG. 9 is a rear, bottom, left side perspective view of FIG. 8;  
 FIG. 10 is a front elevational view of FIG. 8;  
 FIG. 11 is a top plan view of FIG. 8;  
 FIG. 12 is a bottom plan view of FIG. 8;  
 FIG. 13 is a right side elevational view of FIG. 8; and,  
 FIG. 14 is a left side elevational view of FIG. 8.  
 The broken lines in the drawing figures form no part of the claimed design.

**1 Claim, 8 Drawing Sheets**



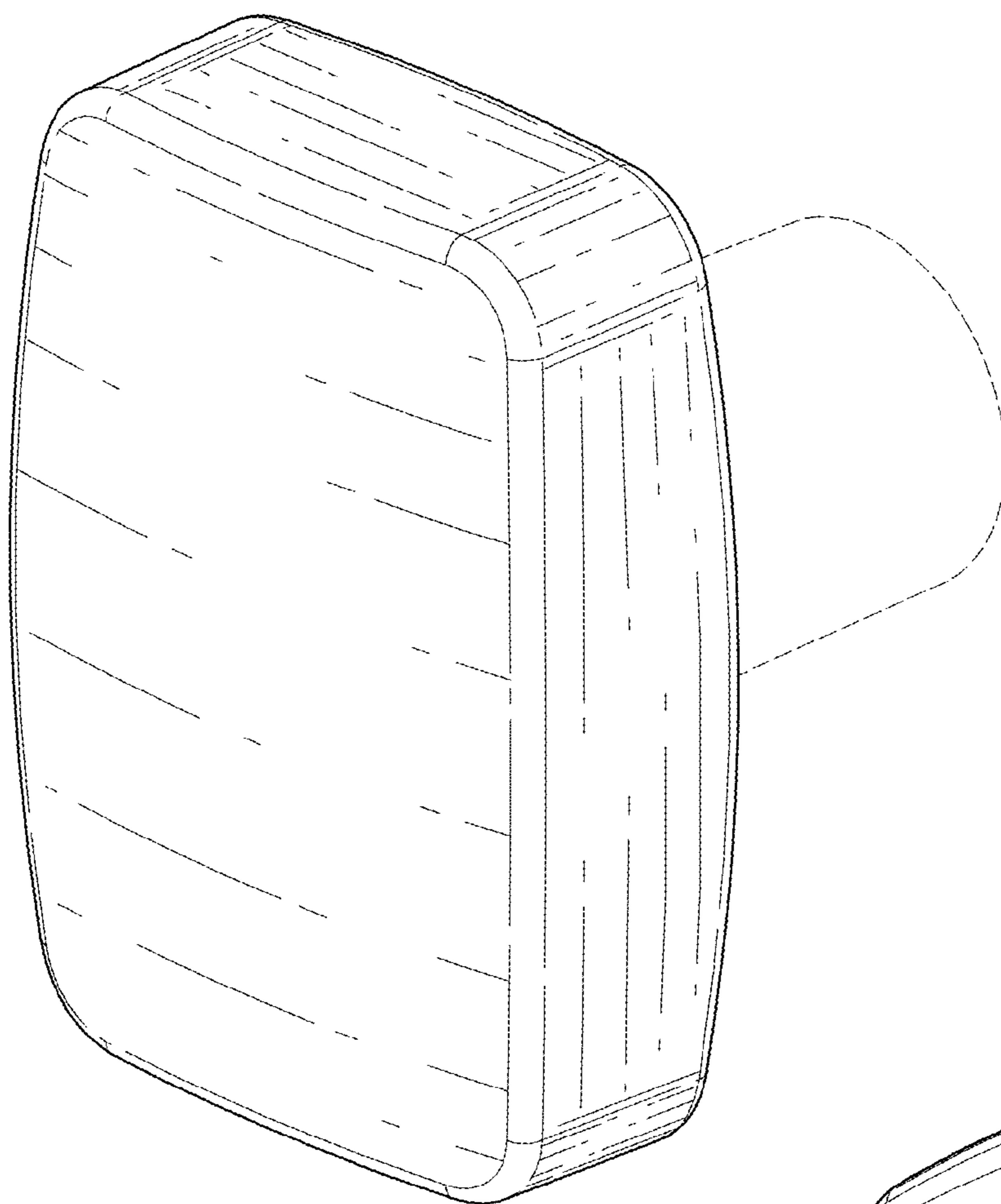
(56)

**References Cited**

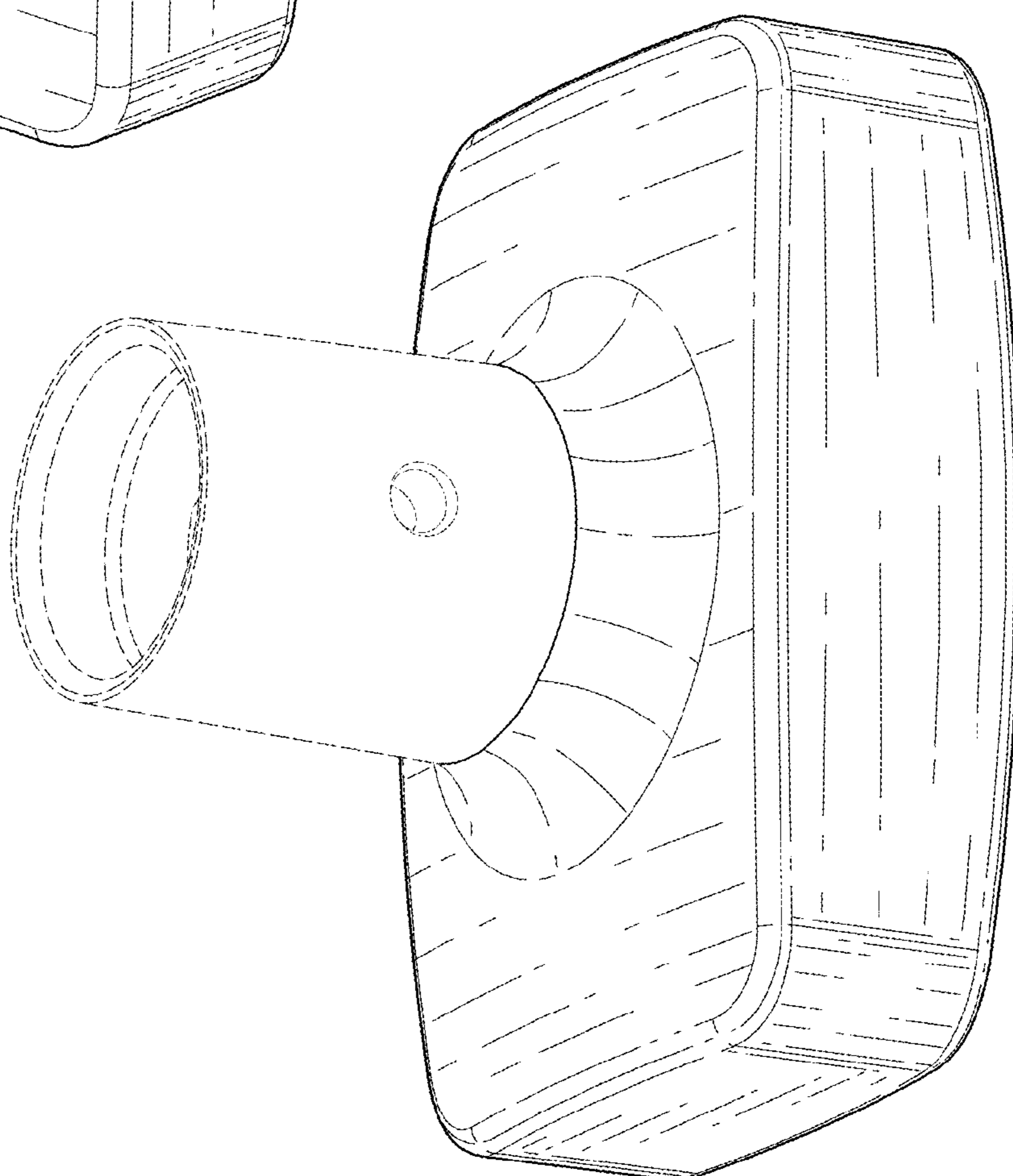
U.S. PATENT DOCUMENTS

D760,059 S *	6/2016	Nishida Watson .....	D8/330
D902,002 S *	11/2020	Gokcebay .....	D8/330
D903,461 S *	12/2020	Watson .....	D8/307
D904,164 S *	12/2020	Jin .....	D8/331
D905,532 S *	12/2020	Su .....	D8/331
D916,245 S *	4/2021	Eads .....	D23/254

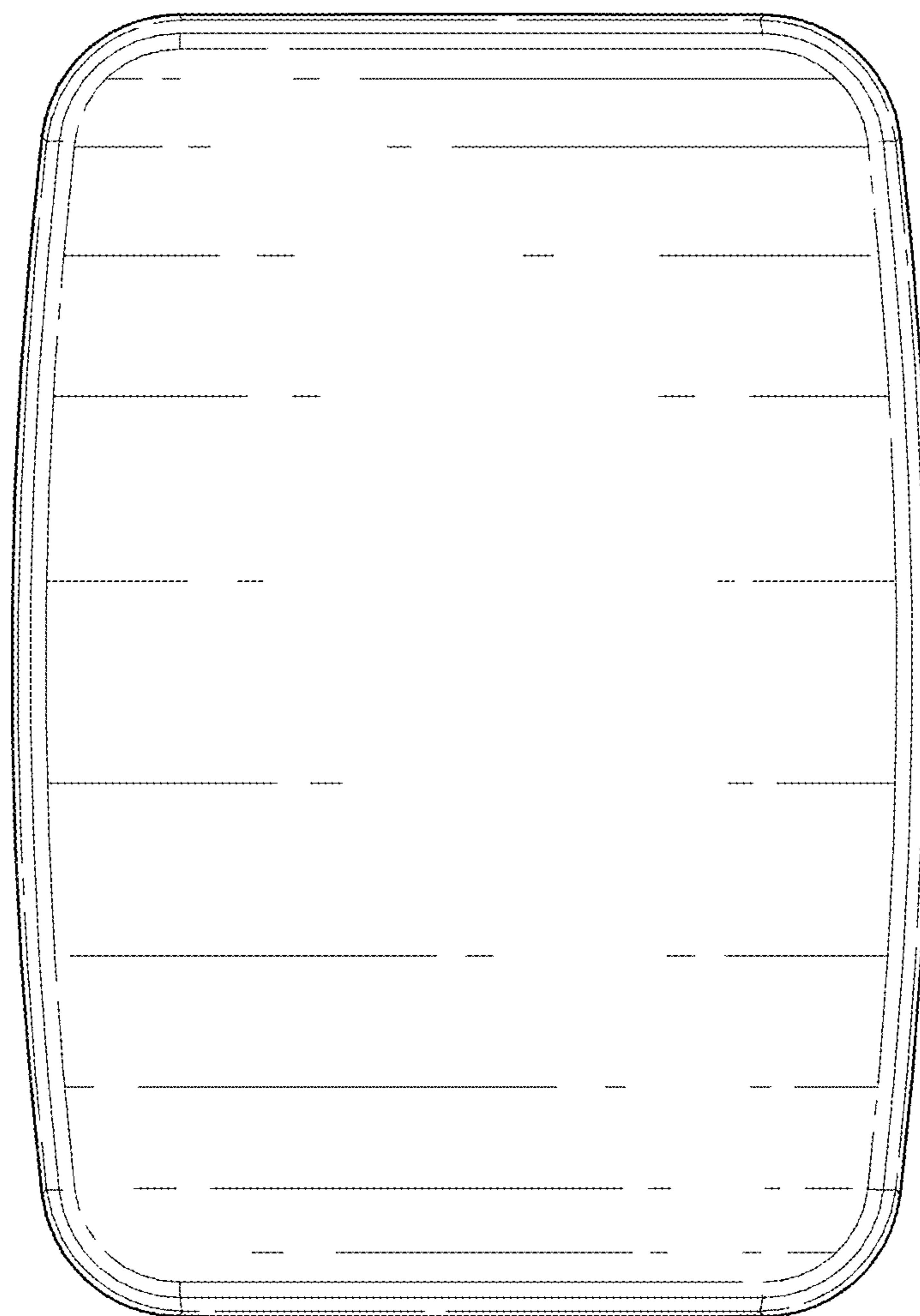
\* cited by examiner



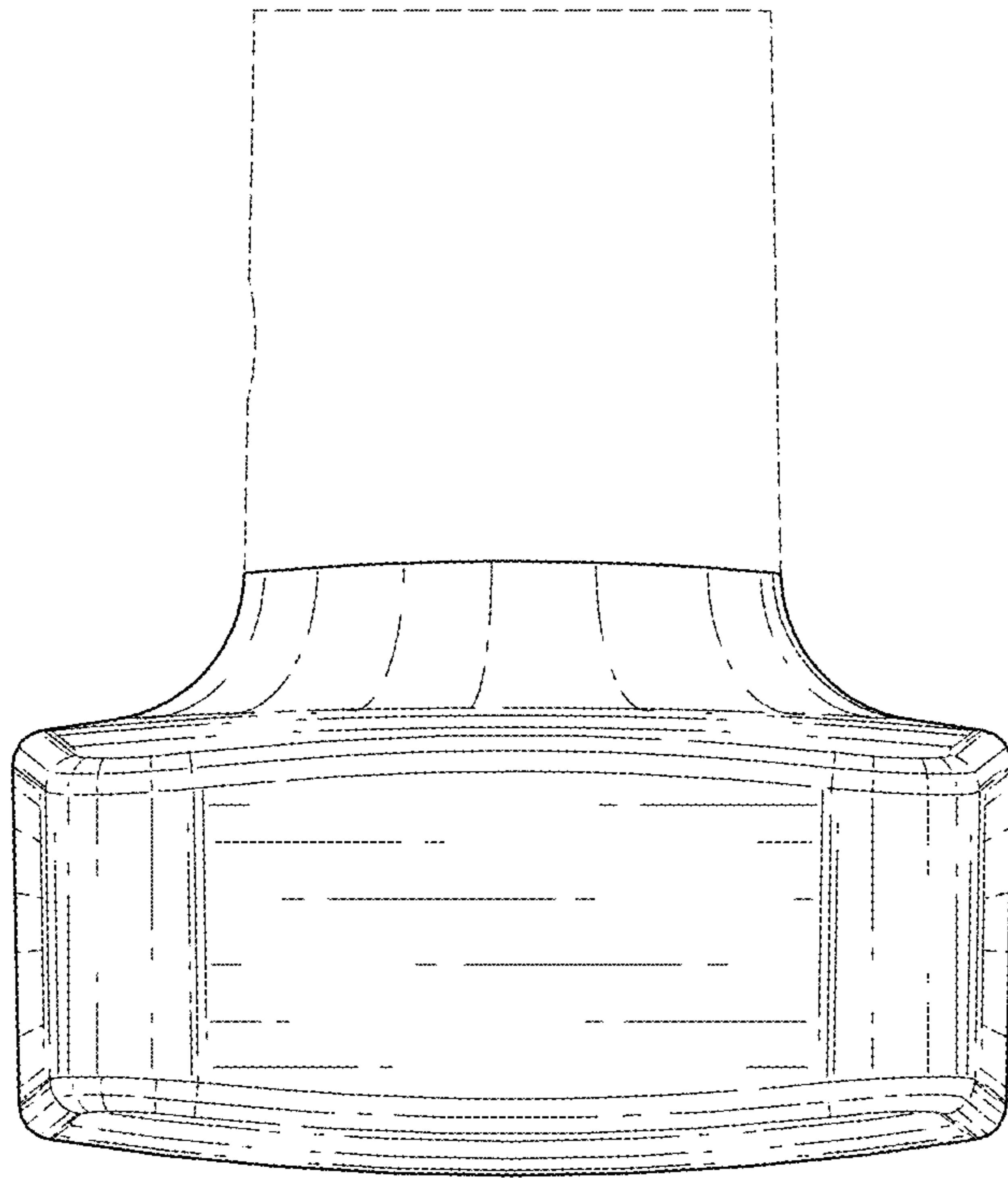
**Fig. 1**



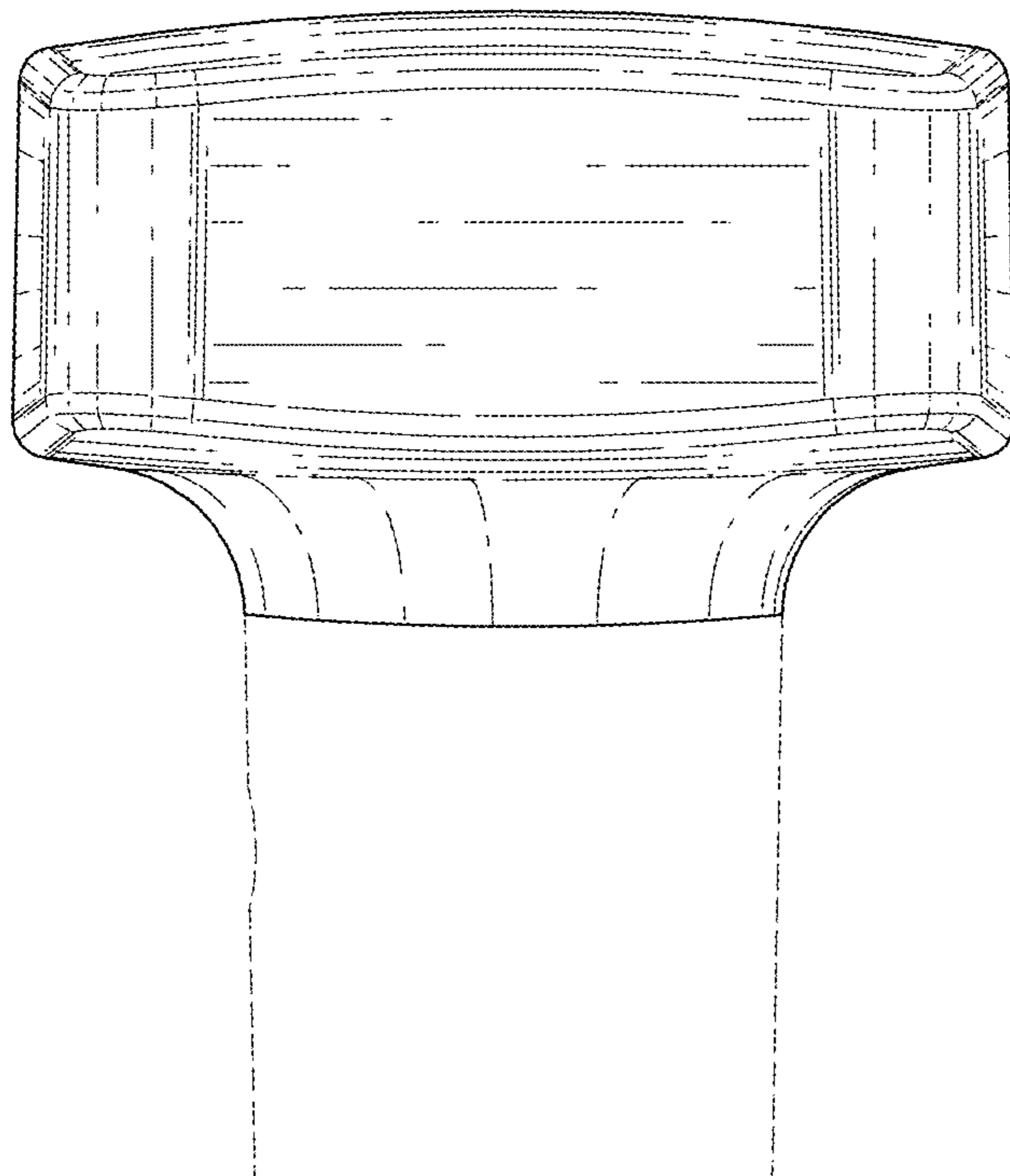
**Fig. 2**



**Fig. 3**

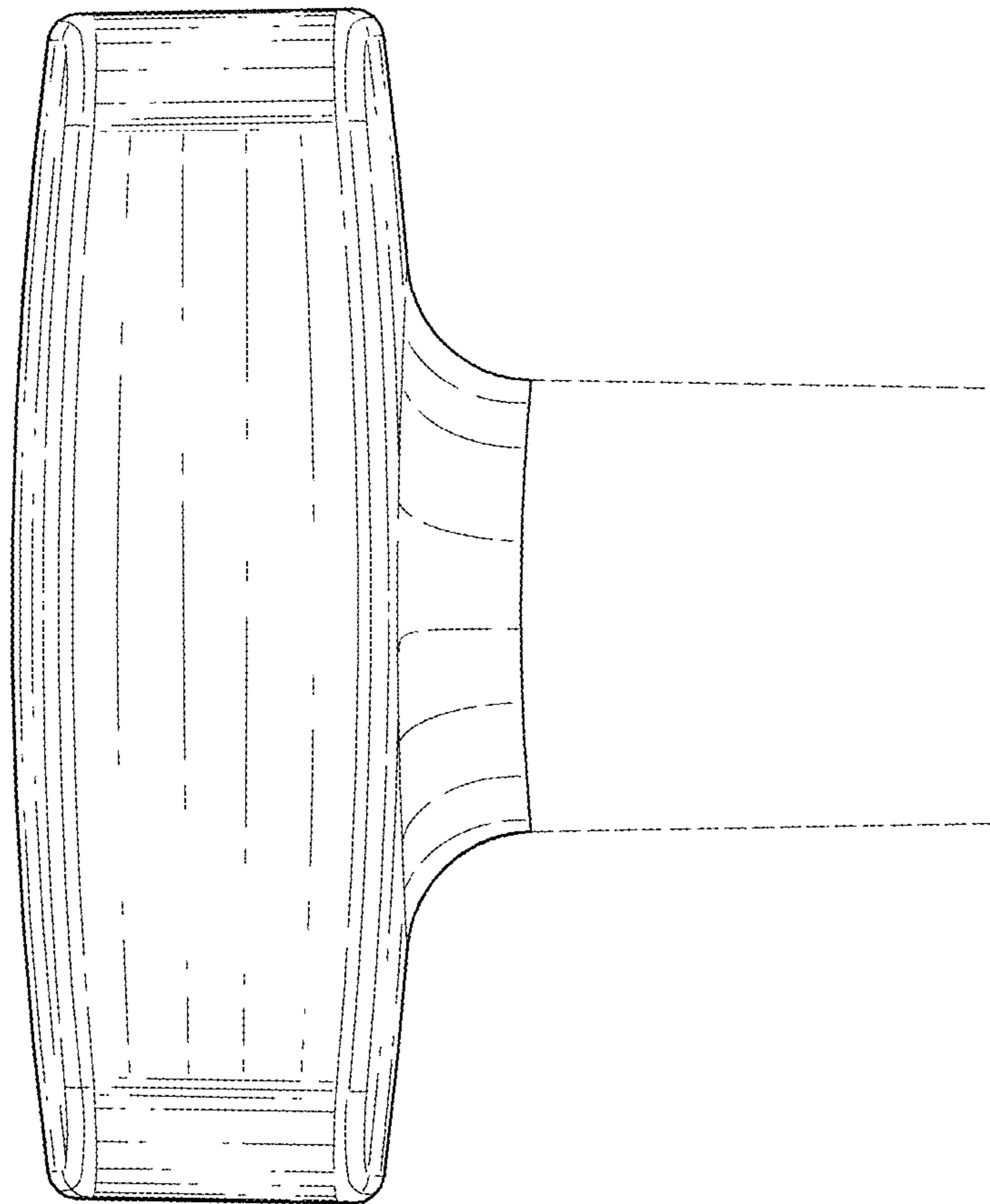


**Fig. 4**

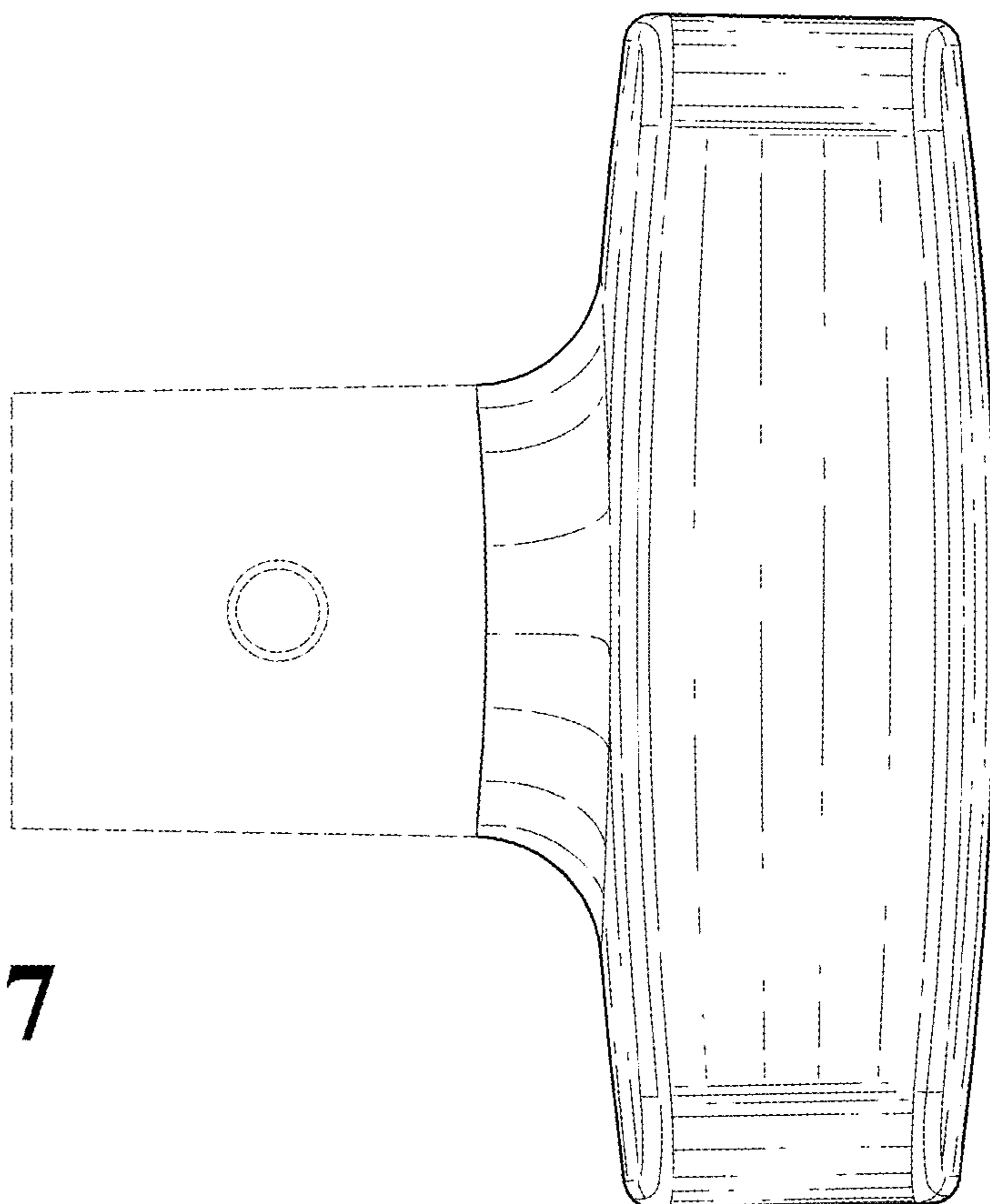


**Fig. 5**

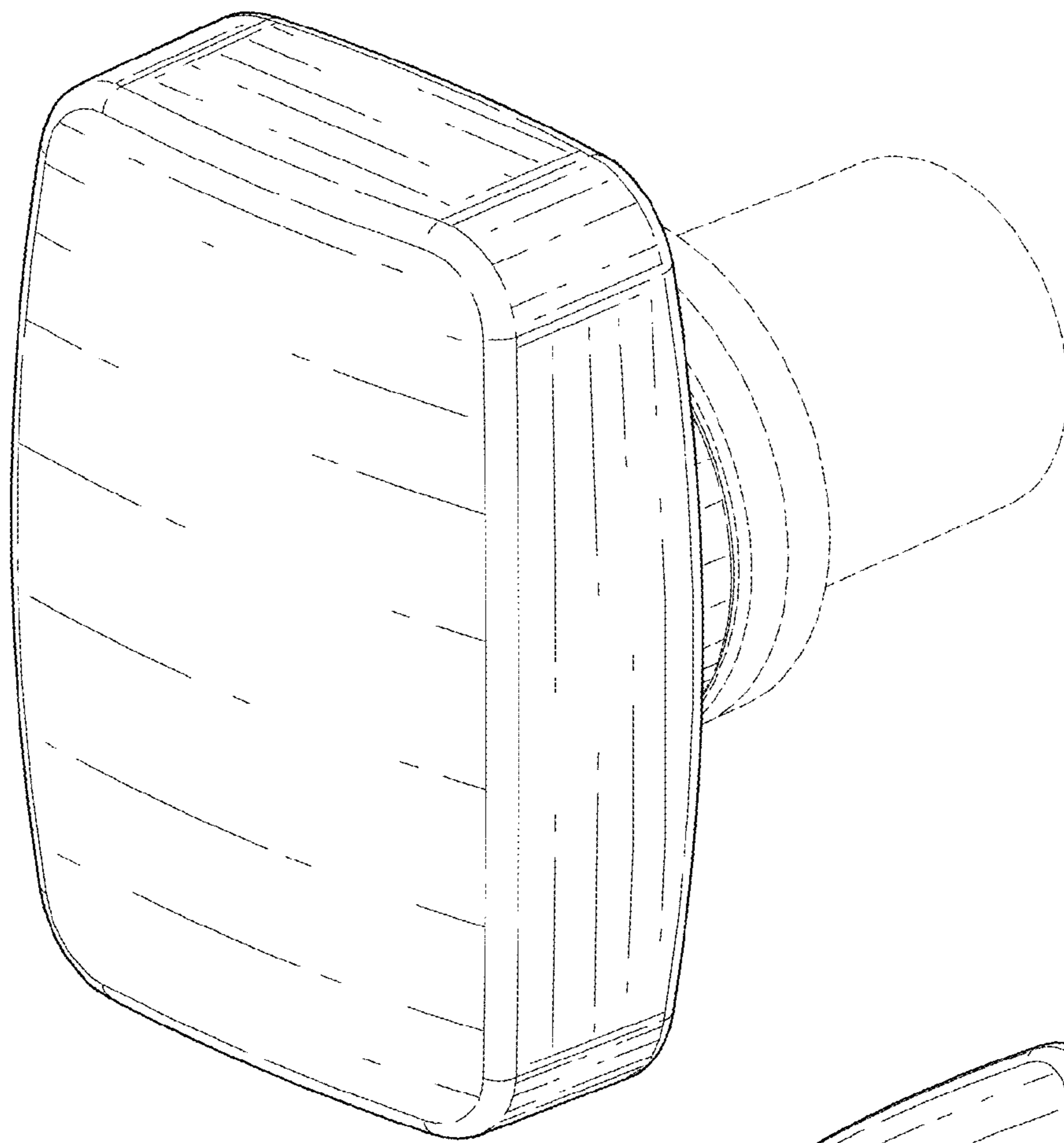




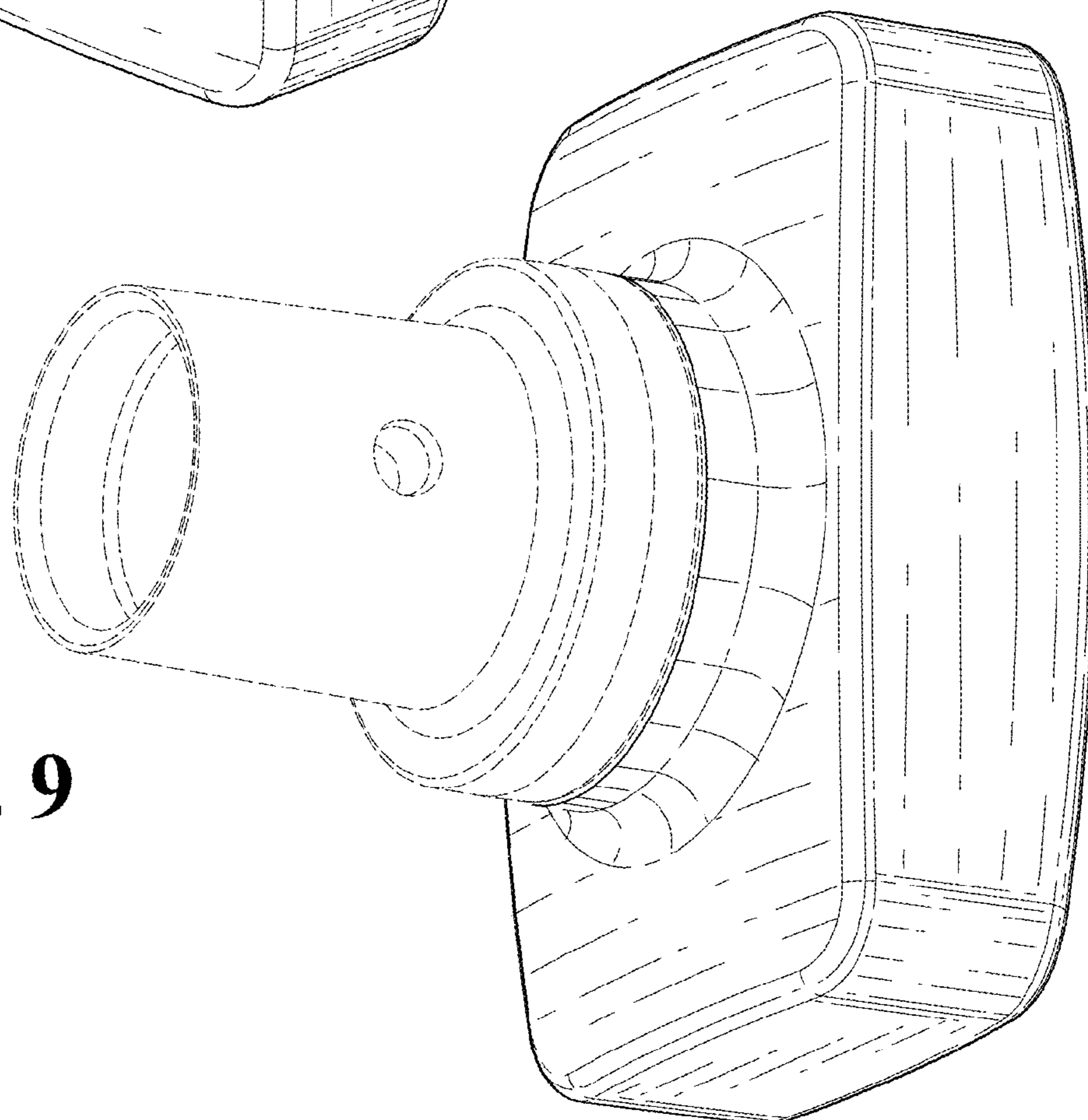
**Fig. 6**



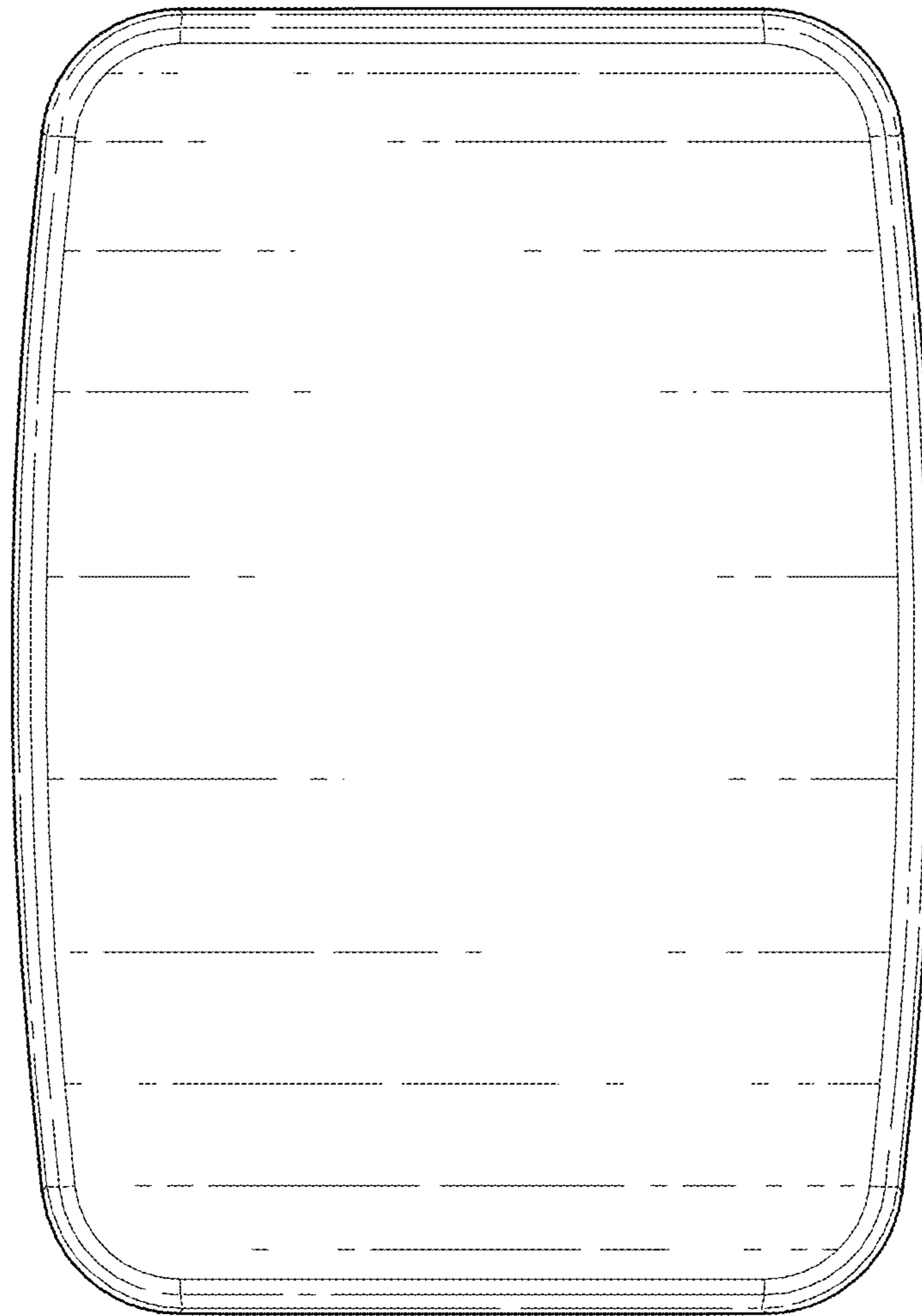
**Fig. 7**



**Fig. 8**

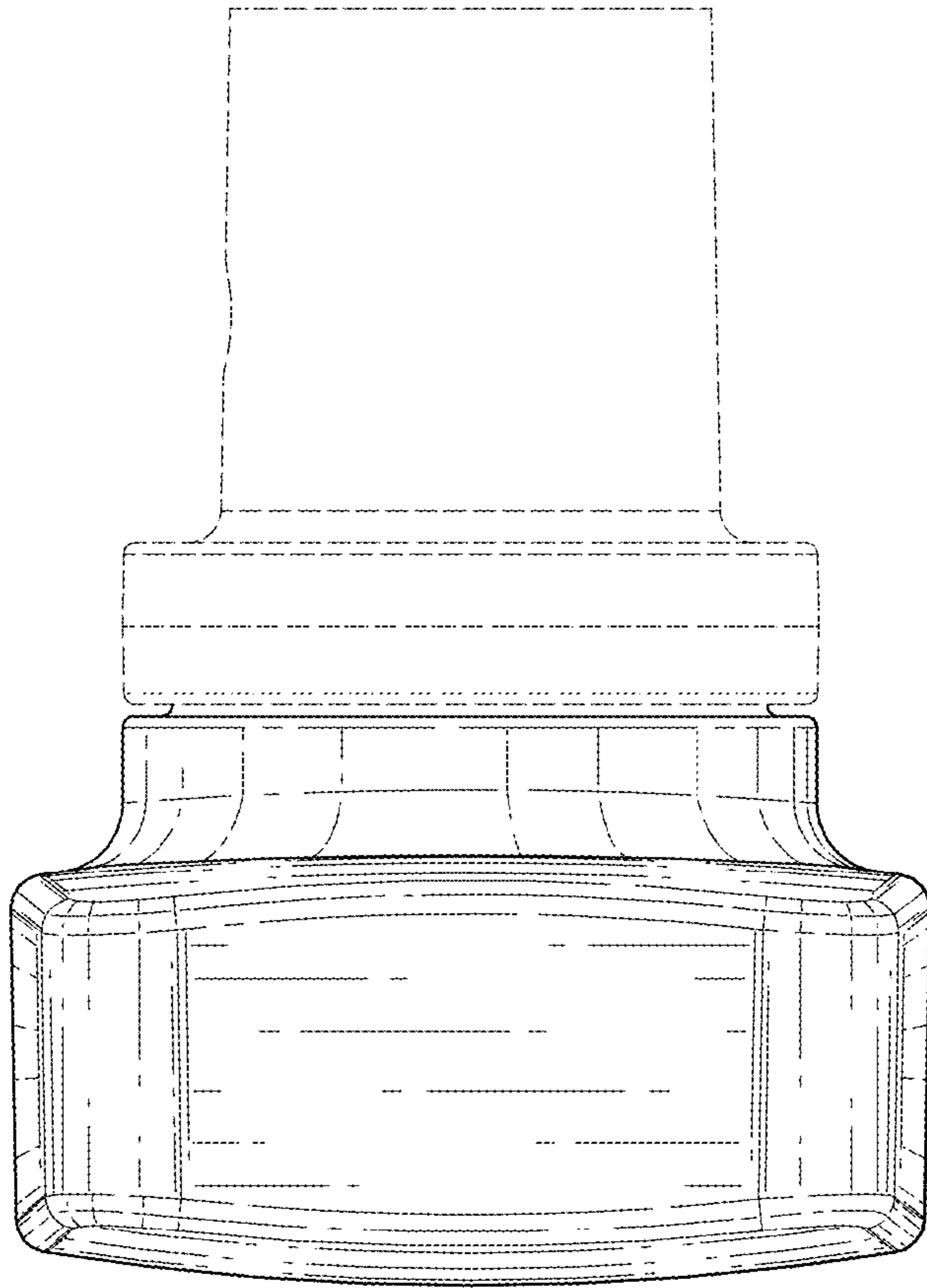


**Fig. 9**

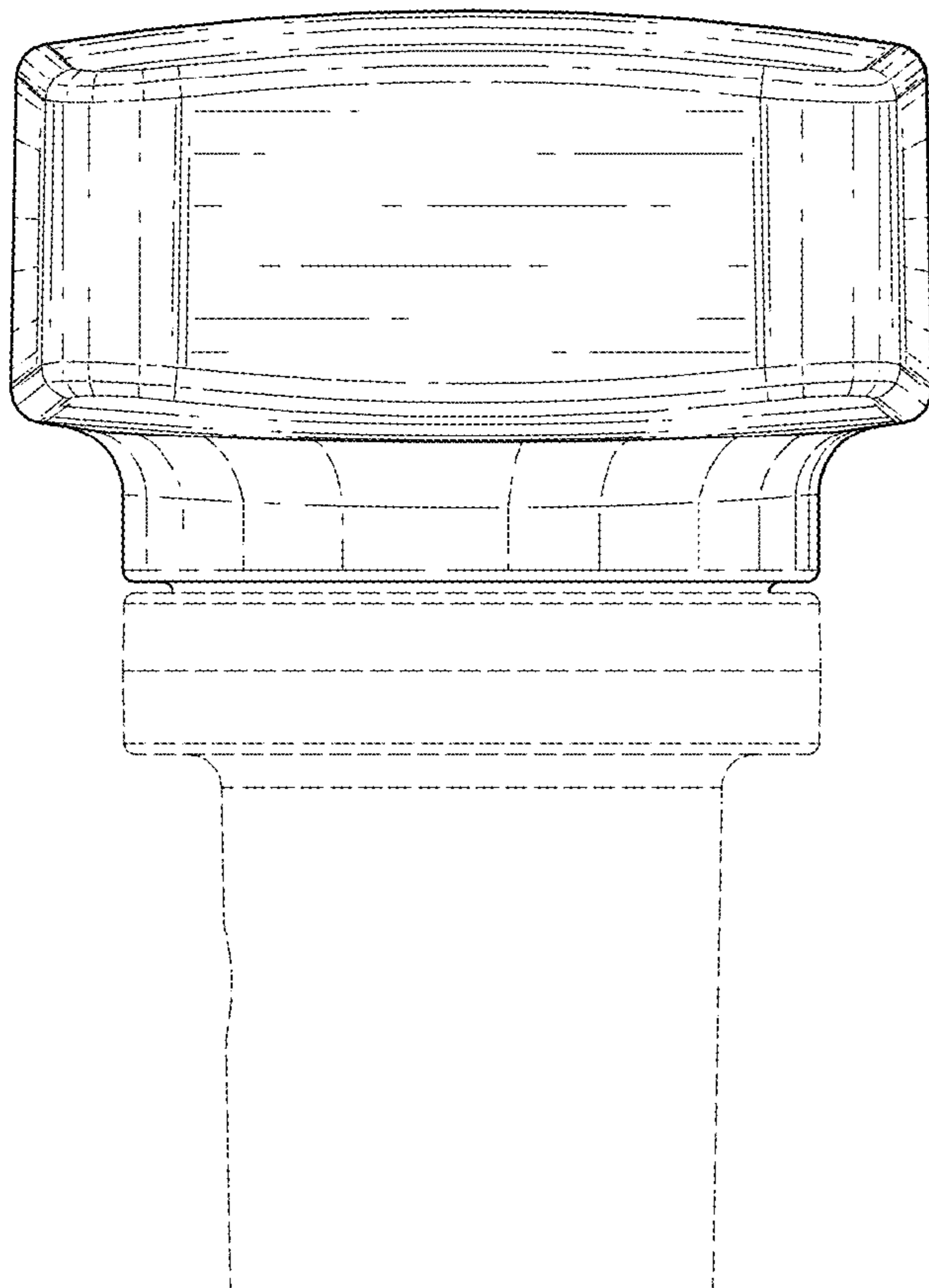


**Fig. 10**

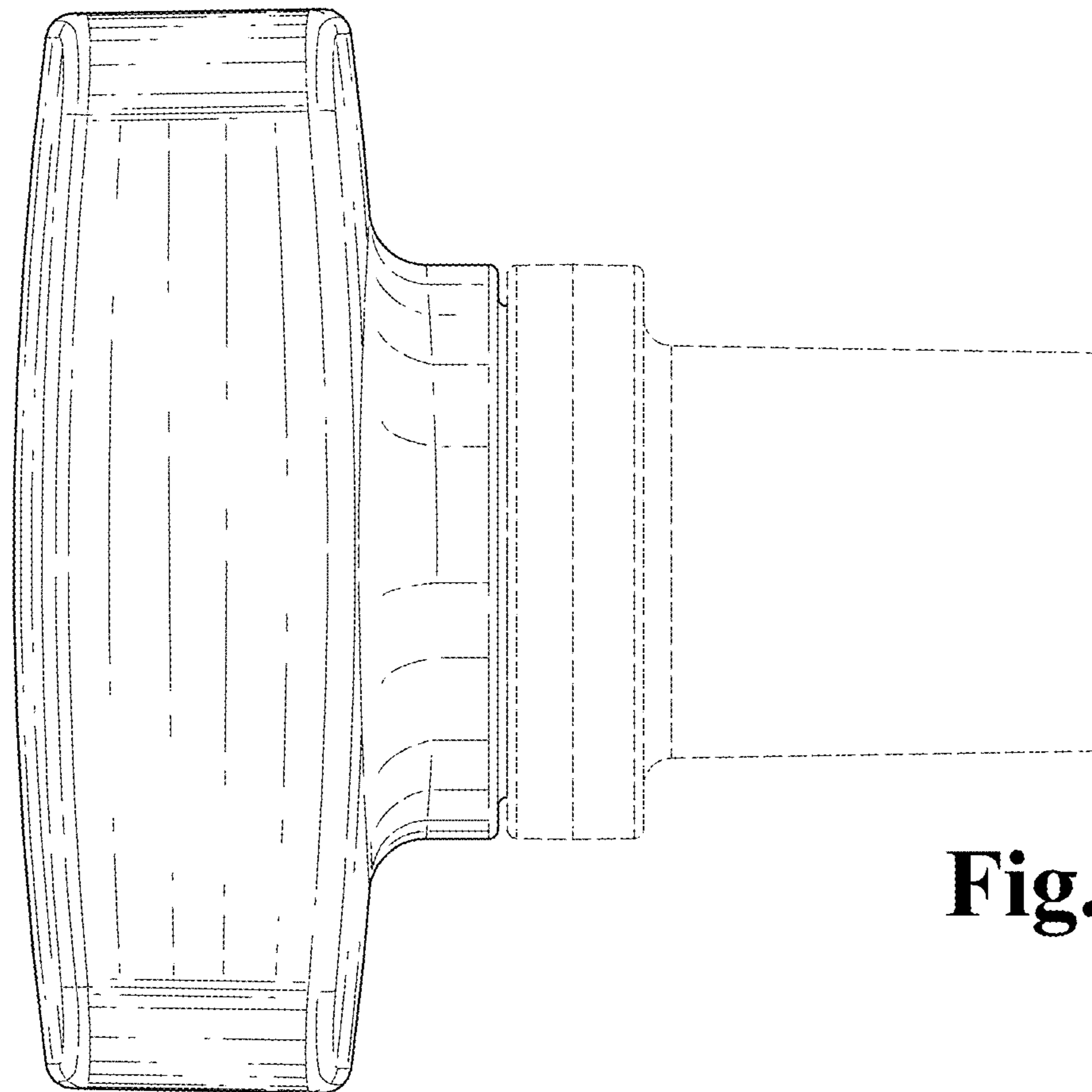




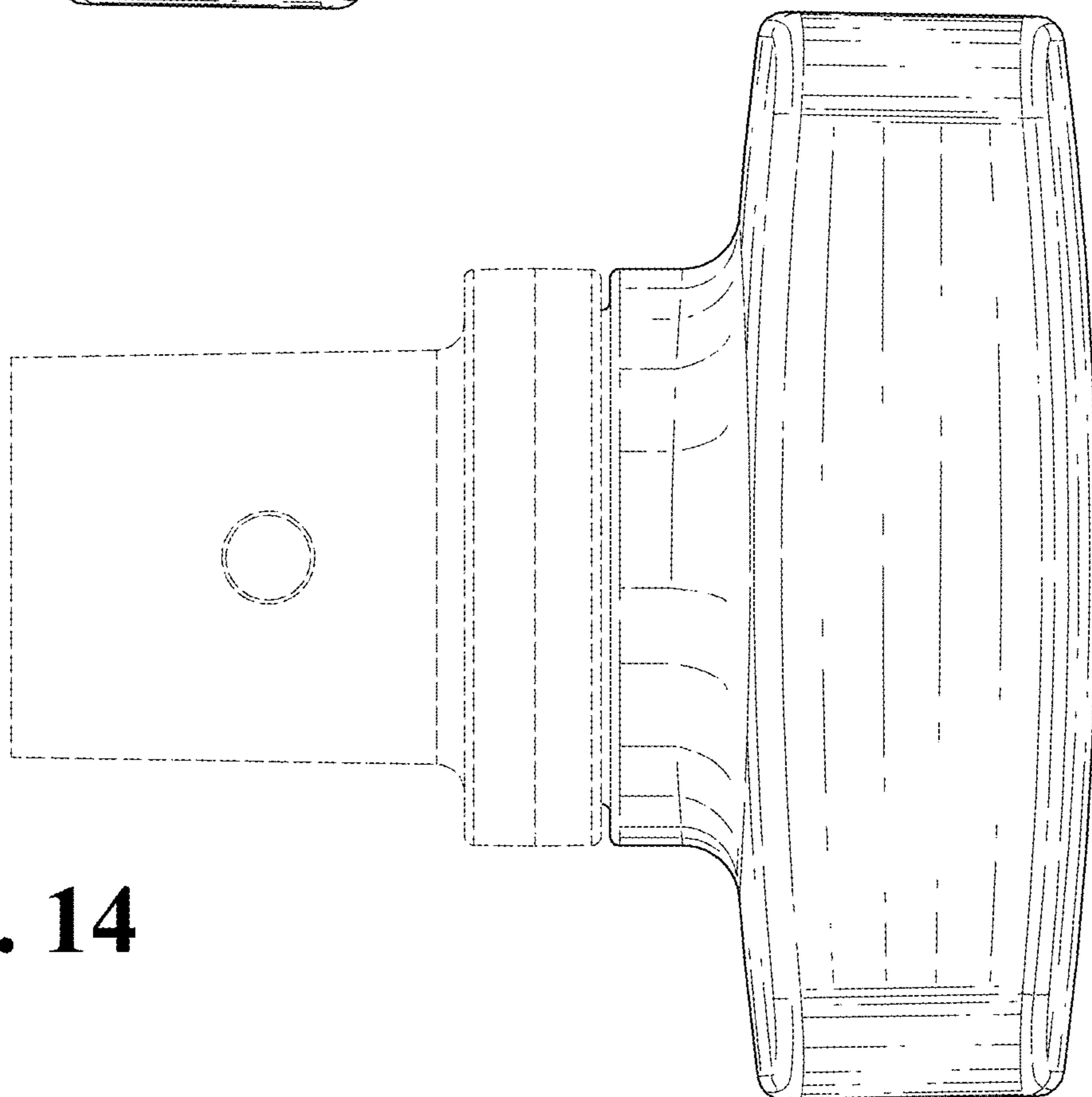
**Fig. 11**



**Fig. 12**



**Fig. 13**



**Fig. 14**