



US00D939918S

(12) **United States Design Patent** (10) **Patent No.:** **US D939,918 S**  
**Hancock et al.** (45) **Date of Patent:** **\*\* Jan. 4, 2022**

(54) **HANDLE ASSEMBLY**

77/06; E05B 79/06; E05B 85/18; E05B 85/12; E05B 85/10; E05B 7/00; E05B 1/0053; E05B 77/265

(71) Applicant: **Autoslide Pty Ltd**, Wetherill Park (AU)

See application file for complete search history.

(72) Inventors: **Mark Hancock**, Wetherill Park (AU);  
**Tim Gulliver**, Wetherill Park (AU);  
**Andrew Larkin**, Wetherill Park (AU);  
**Oleksandr Fatiuk**, Wetherill Park (AU)

(56) **References Cited**

U.S. PATENT DOCUMENTS

(73) Assignee: **AUTOSLIDE PTY LTD**, Wetherill Park NSW (AU)

D84,387 S \* 6/1931 Wolters ..... D8/308  
5,862,690 A \* 1/1999 Jancsek ..... E05B 3/06  
70/224  
6,059,231 A \* 5/2000 Dessenberger, Jr. .... B64C 1/1407  
244/129.5  
D527,608 S \* 9/2006 Antkowiak ..... D8/302  
D539,634 S \* 4/2007 Tanaka ..... D8/301

(\*\*) Term: **15 Years**

(21) Appl. No.: **29/761,969**

(22) Filed: **Dec. 14, 2020**

(Continued)

(30) **Foreign Application Priority Data**

*Primary Examiner* — Lauren R Calve

Jun. 12, 2020 (AU) ..... 202013288

(74) *Attorney, Agent, or Firm* — Taft Stettinius & Hollister LLP; Ryan O. White; Derek B. Lavender

(51) **LOC (13) Cl.** ..... **08-06**

(52) **U.S. Cl.**  
USPC ..... **D8/302**

(57) **CLAIM**

The ornamental design for a handle assembly, as shown and described.

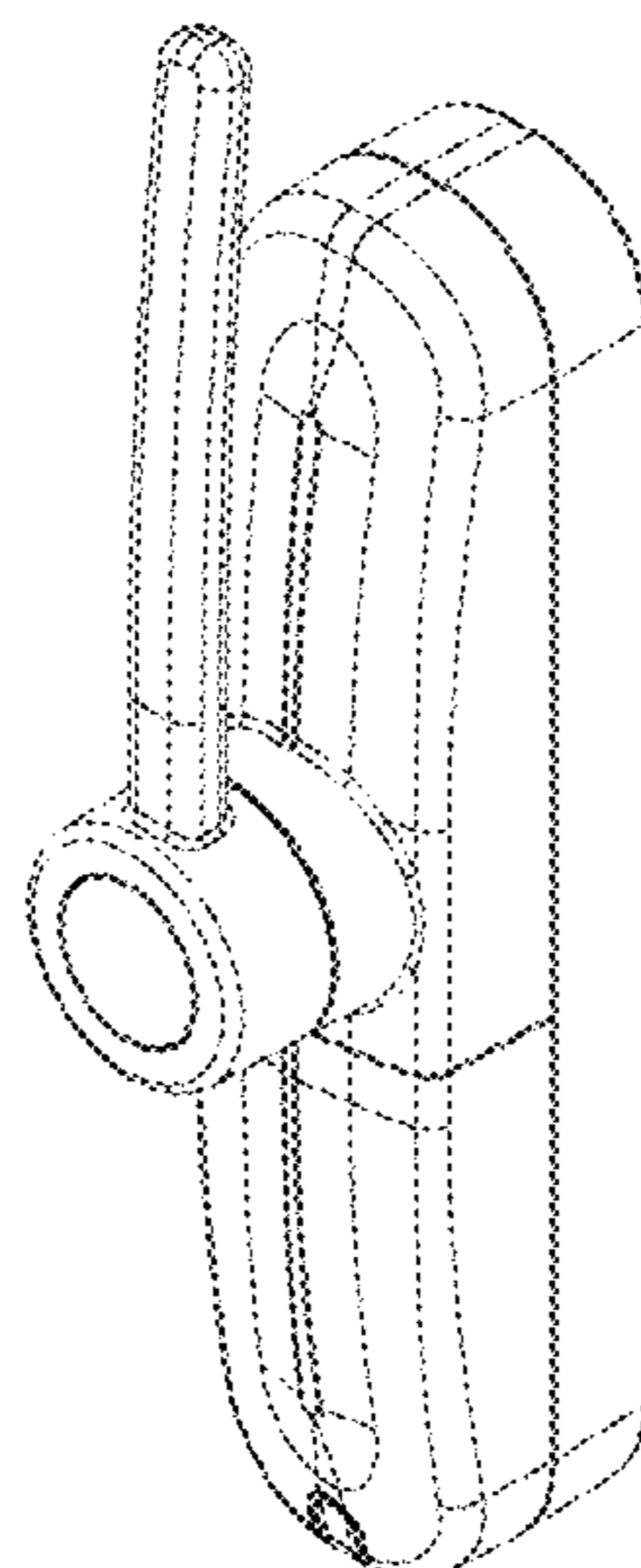
(58) **Field of Classification Search**

**DESCRIPTION**

USPC ..... D8/300–302, 307–309, 331, 338;  
D23/250, 252  
CPC ..... Y10T 16/44; Y10T 74/20612; Y10T 74/20732; Y10T 16/458; Y10T 16/498; Y10T 16/469; Y10T 16/476; Y10T 74/20744; Y10T 74/20864; Y10T 16/4628; Y10T 74/20642; Y10T 16/473; Y10T 74/20762; Y10T 74/2042; Y10T 74/20828; Y10T 16/459; Y10T 16/4713; Y10T 74/2014; Y10T 16/50; Y10T 74/20438; Y10T 74/20582; Y10T 74/20738; Y10T 16/48; Y10T 74/20618; Y10T 74/20684; Y10T 74/20624; Y10T 74/20468; Y10T 16/61; Y10T 16/4719; Y10T 16/86; Y10S 16/30; Y10S 292/31; Y10S 292/53; Y10S 16/12; Y10S 292/23; Y10S 292/27; Y10S 292/30; Y10S 292/63; E05B 85/16; E05B 1/0015; E05B

FIG. 1 is a top perspective front view of a handle assembly of the present invention.  
FIG. 2 is a front view of a handle assembly of the present invention.  
FIG. 3 is a rear view of a handle assembly of the present invention.  
FIG. 4 is a first side view of a handle assembly of the present invention.  
FIG. 5 is a second side view of a handle assembly of the present invention.  
FIG. 6 is a top view of a handle assembly of the present invention; and,  
FIG. 7 is a bottom end view of a handle assembly of the present invention.

**1 Claim, 7 Drawing Sheets**



(56)

**References Cited**

U.S. PATENT DOCUMENTS

D686,483 S *	7/2013	Sullivan .....	D8/302
D755,604 S *	5/2016	Harden .....	D8/302
2006/0152020 A1 *	7/2006	Gephart .....	E05B 3/00 292/336.3

\* cited by examiner

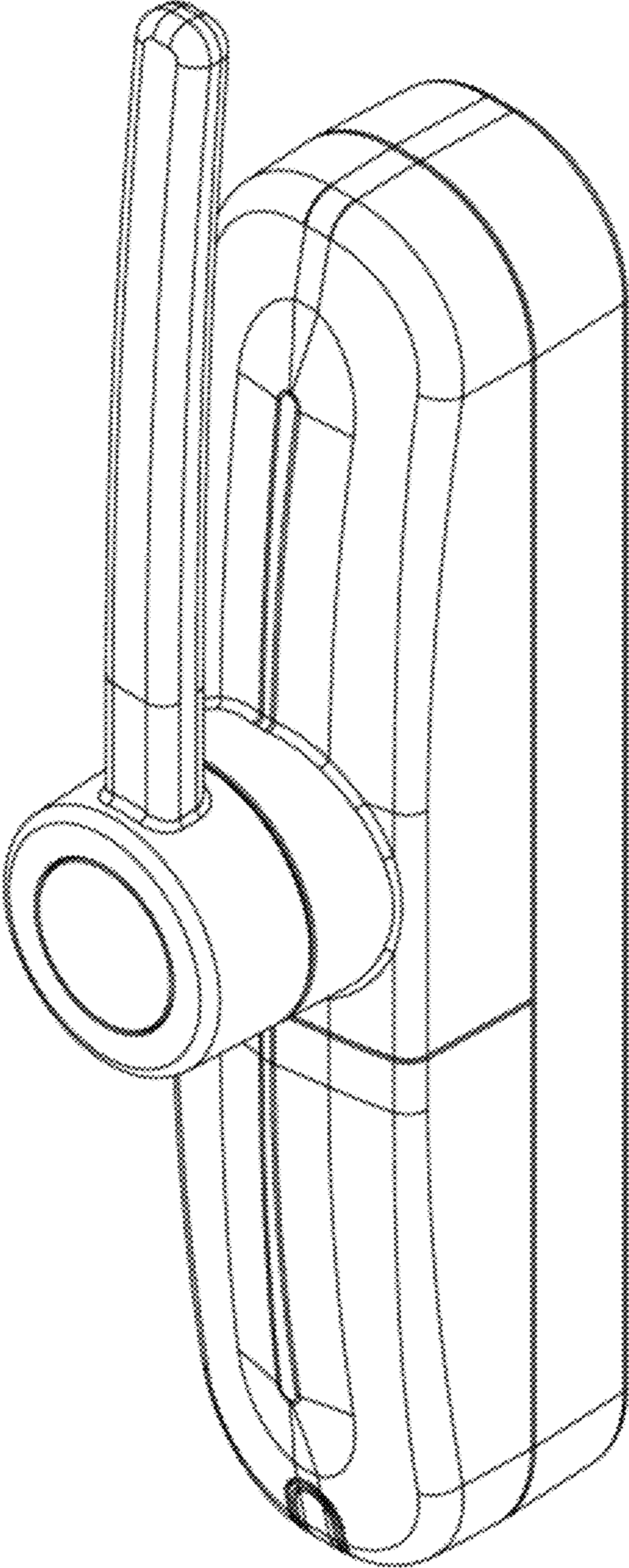


FIG. 1

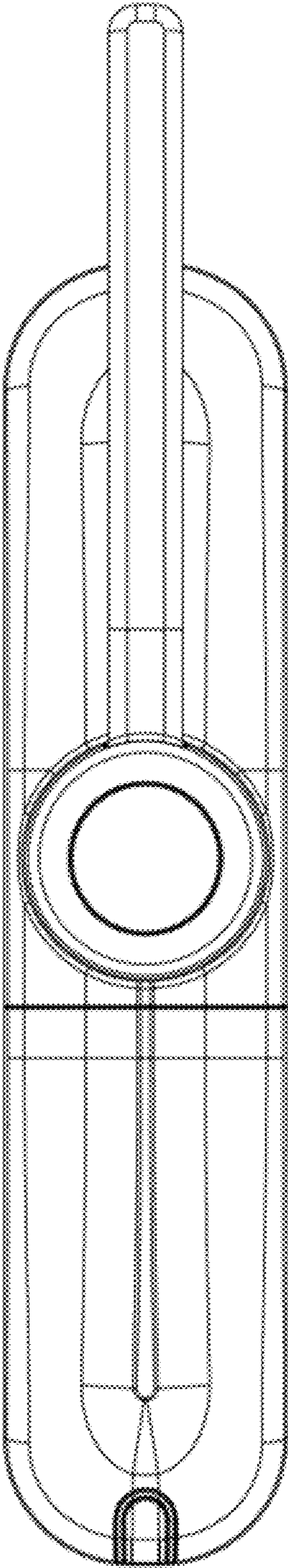


FIG. 2

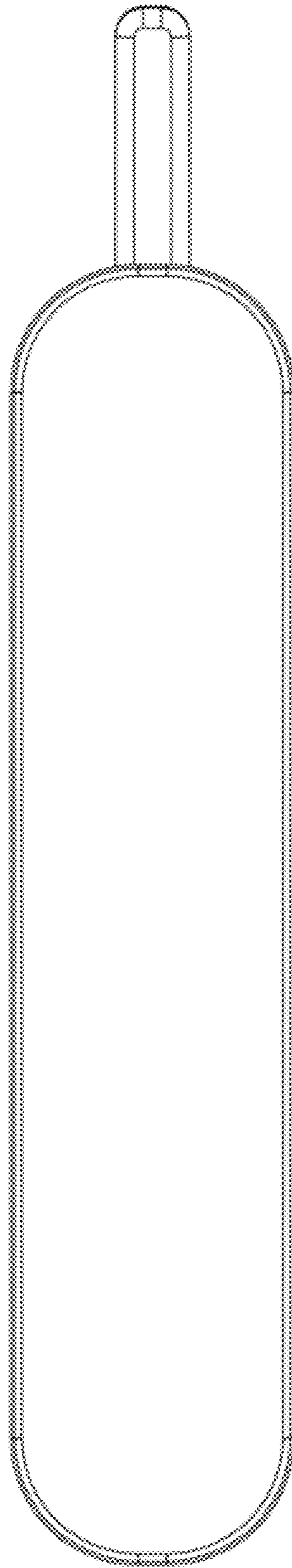


FIG. 3

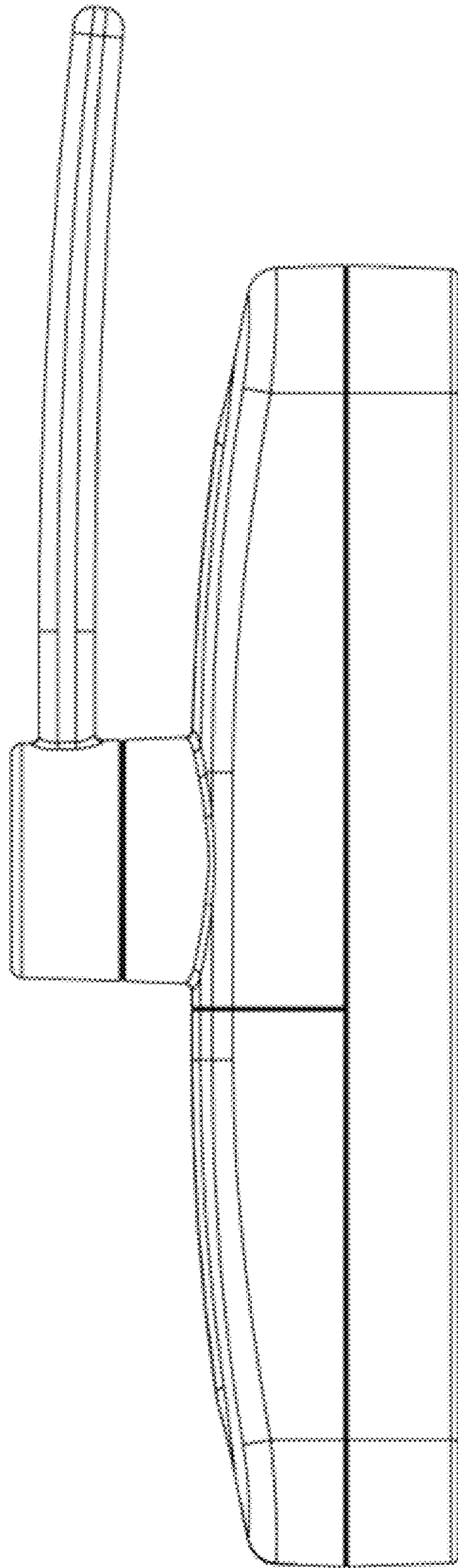


FIG. 4

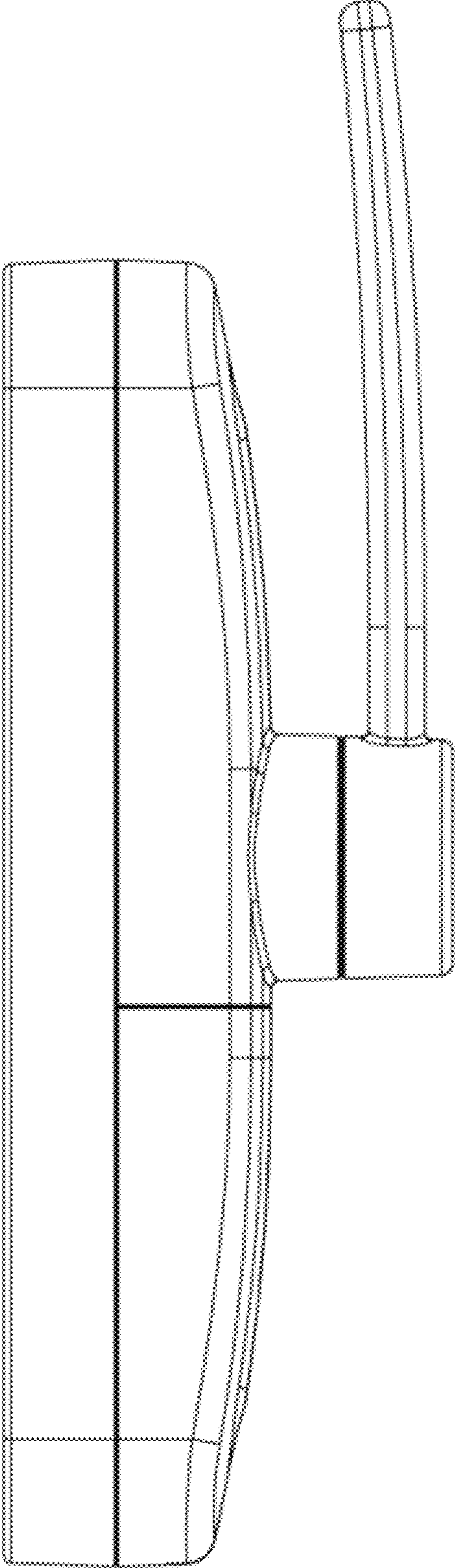


FIG. 5

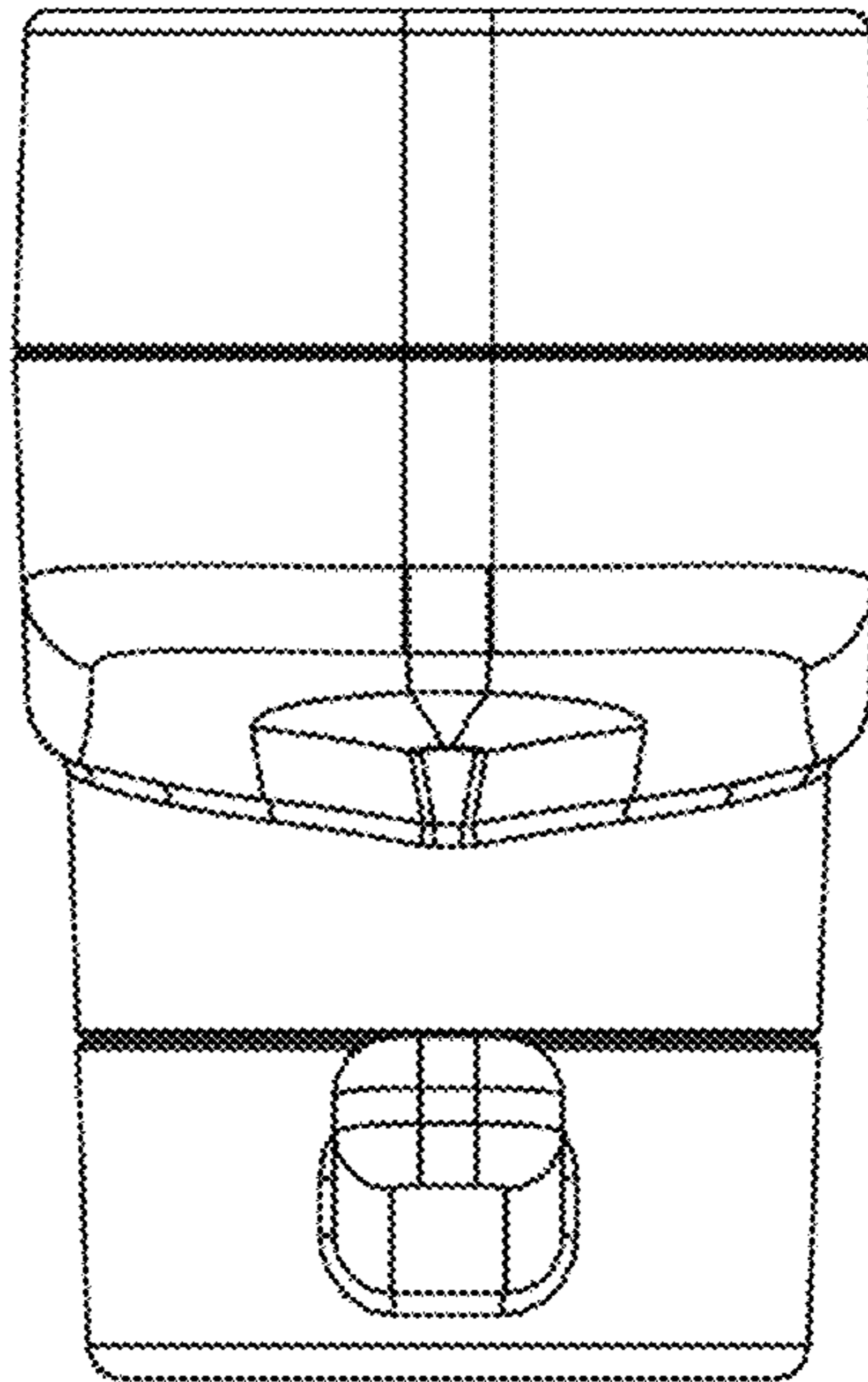


FIG. 6



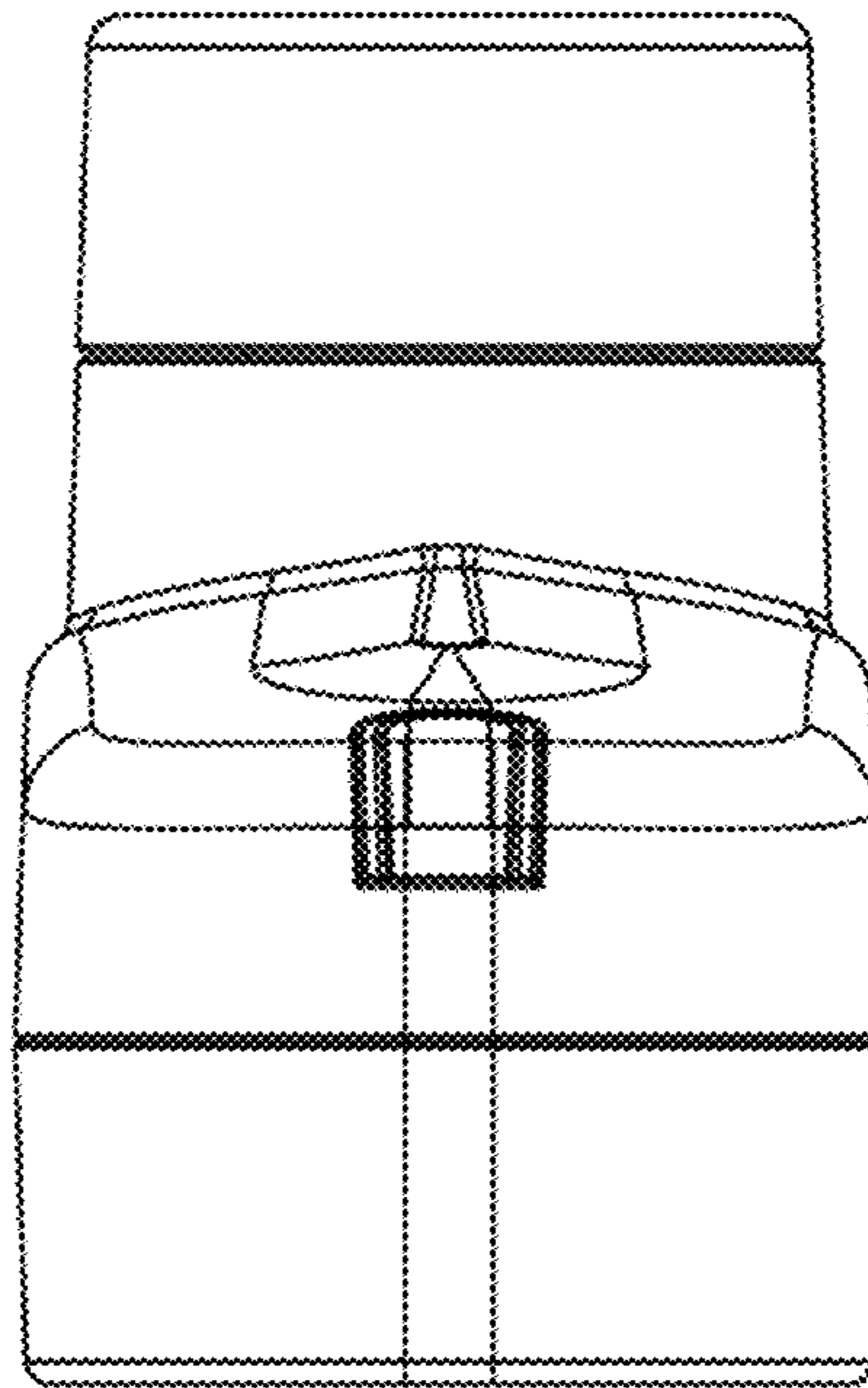


FIG. 7