



US00D939915S

(12) **United States Design Patent**
Luo et al.

(10) **Patent No.:** **US D939,915 S**
(45) **Date of Patent:** **** Jan. 4, 2022**

(54) **SCREWDRIVER**

(71) Applicant: **Robert Bosch GmbH**, Stuttgart (DE)

(72) Inventors: **An Luo**, Shanghai (CN); **Bin Abd Manaf Hairul**, Kedah (MY)

(73) Assignee: **Robert Bosch GmbH**, Stuttgart (DE)

(**) Term: **15 Years**

(21) Appl. No.: **29/724,409**

(22) Filed: **Feb. 14, 2020**

(30) **Foreign Application Priority Data**

Aug. 15, 2019 (EM) 006726139

(51) **LOC (13) Cl.** **08-04**

(52) **U.S. Cl.**
USPC **D8/82; D8/61**

(58) **Field of Classification Search**
USPC D4/102, 100; D8/61-62, 64, 66, 69,
D8/82-83

CPC B25B 21/00; B25B 21/02; B25B 21/008;
B25B 23/16; B25B 23/1405; B25F 5/02;
B25F 5/001; A61B 17/1615; F16D
41/206

See application file for complete search history.

(56) **References Cited**

U.S. PATENT DOCUMENTS

D446,431 S *	8/2001	Lui	D8/61
D446,432 S *	8/2001	Heun	D8/61
D510,848 S *	10/2005	Singh	D8/61
D556,000 S *	11/2007	Singh	D8/61
D577,974 S *	10/2008	Miller	D8/70
D618,079 S *	6/2010	Blythe	D8/61
D634,998 S *	3/2011	Garfield	D8/61
D663,180 S *	7/2012	Jerome	D8/61
D694,608 S *	12/2013	Nelson	D8/83
D715,615 S *	10/2014	Nagy	D8/61

D768,452 S *	10/2016	Padget	D8/61
D794,407 S *	8/2017	Markwald	D8/61
D810,538 S *	2/2018	Ou	D8/83
D811,190 S *	2/2018	Ou	D8/83
D829,524 S *	10/2018	Su	D8/83
D860,750 S *	9/2019	Beh	D8/83

(Continued)

OTHER PUBLICATIONS

Hses 01 Cordless Electric Screwdriver, Date Visited: May 19, 2021, Dremel, Date Available: May 19, 2021, <https://us.dremel.com/en-US/products/-/show-product/tools/hses-01-cordless-electric-screwdriver> (Year: 2021).*

(Continued)

Primary Examiner — Karen S Acker

Assistant Examiner — Elizabeth S Ko

(74) *Attorney, Agent, or Firm* — Maginot, Moore & Beck LLP

(57) **CLAIM**

The ornamental design for a screwdriver, as shown and described.

DESCRIPTION

FIG. 1 is a perspective view of a screwdriver showing our new design;

FIG. 2 is a top plan view of the screwdriver of FIG. 1;

FIG. 3 is a bottom plan view of the screwdriver of FIG. 1; FIG. 4 is a front side elevational view of the screwdriver of FIG. 1;

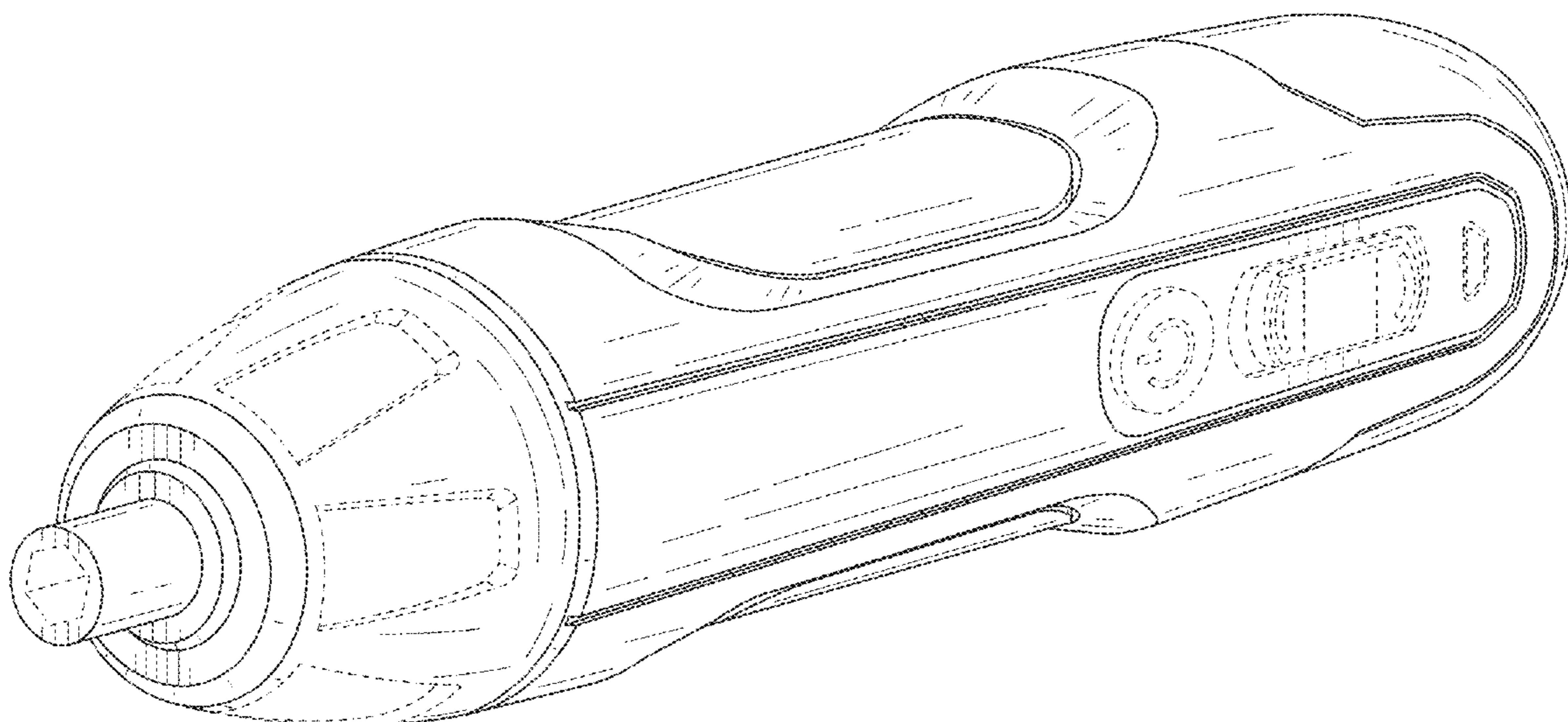
FIG. 5 is a rear side elevational view of the screwdriver of FIG. 1;

FIG. 6 is a left side elevational view of the screwdriver of FIG. 1; and,

FIG. 7 is a right side elevational view of the screwdriver of FIG. 1.

The broken lines shown in the drawings illustrate portions of the screwdriver that form no part of the claimed design.

1 Claim, 7 Drawing Sheets



(56)

References Cited

U.S. PATENT DOCUMENTS

D861,450	S	*	10/2019	Mancini	D8/61
D865,470	S	*	11/2019	Houghton	D8/61
D873,103	S	*	1/2020	Chen	D8/61
D873,104	S	*	1/2020	Chen	D8/61
D879,574	S	*	3/2020	Liu	D8/61
D879,575	S	*	3/2020	Liu	D8/61
D880,265	S	*	4/2020	Ruivivar	D8/61
D889,223	S	*	7/2020	Liu	D8/25
D889,227	S	*	7/2020	Chen	D8/61
D889,228	S	*	7/2020	Chen	D8/61
D889,234	S	*	7/2020	Johnson	D8/83
D897,181	S	*	9/2020	Johnson	D8/83
D911,140	S	*	2/2021	Hyma	D8/82
D913,066	S	*	3/2021	Wang	D8/61
D915,851	S	*	4/2021	Lee	D8/61
D916,573	S	*	4/2021	Zhong	D8/61
D919,394	S	*	5/2021	Zhong	D8/61
2016/0089771	A1	*	3/2016	Wei	H02G 1/1209 362/120

OTHER PUBLICATIONS

Power Screwdriver 2nd Generation 3.6V , Date Visited: May 19, 2021, Amazon, Date Available: Sep. 9, 2020, <https://www.amazon.com/Screwdriver-Generation-Wireless-Cordless-Electric/dp/B08HQ44K68> (Year: 2020).*

* cited by examiner

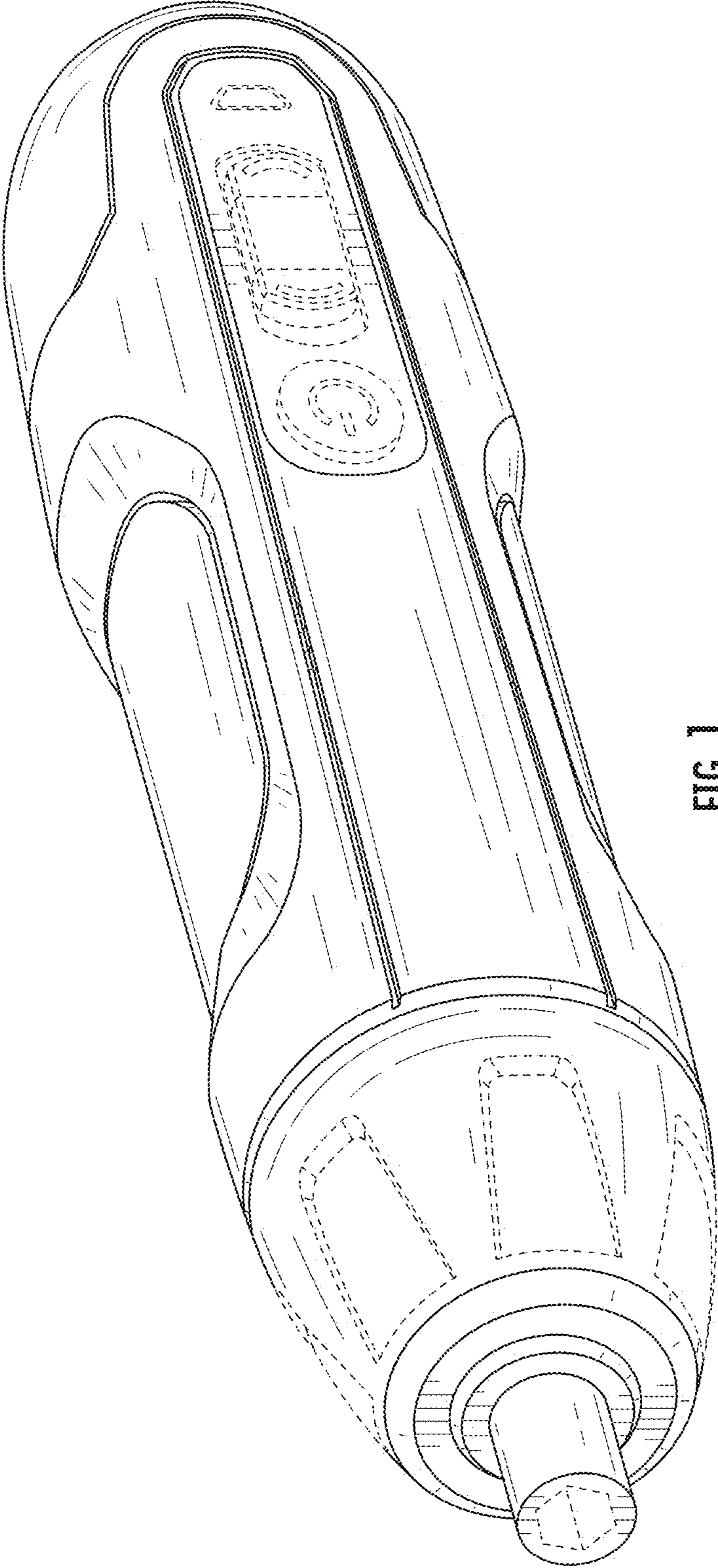


FIG. 1

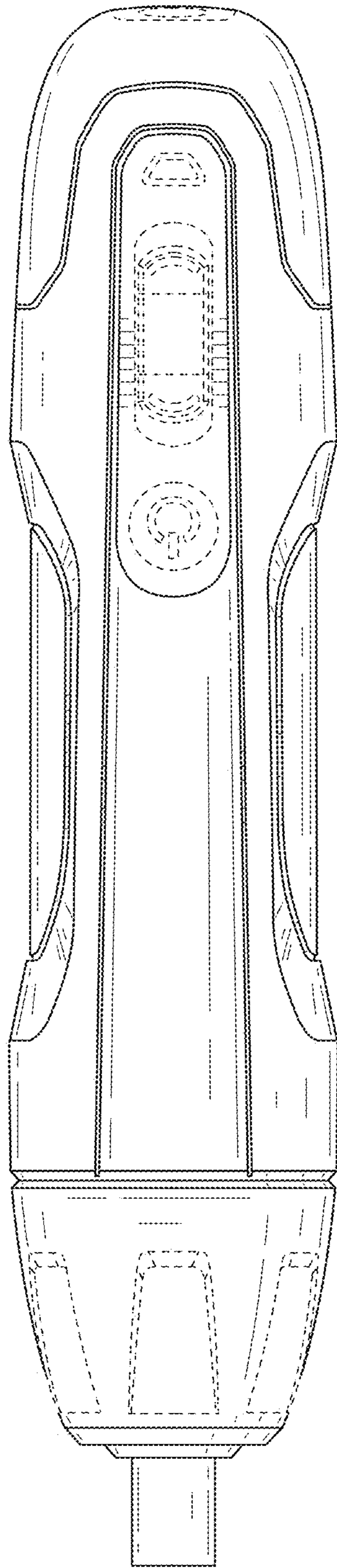


FIG. 2

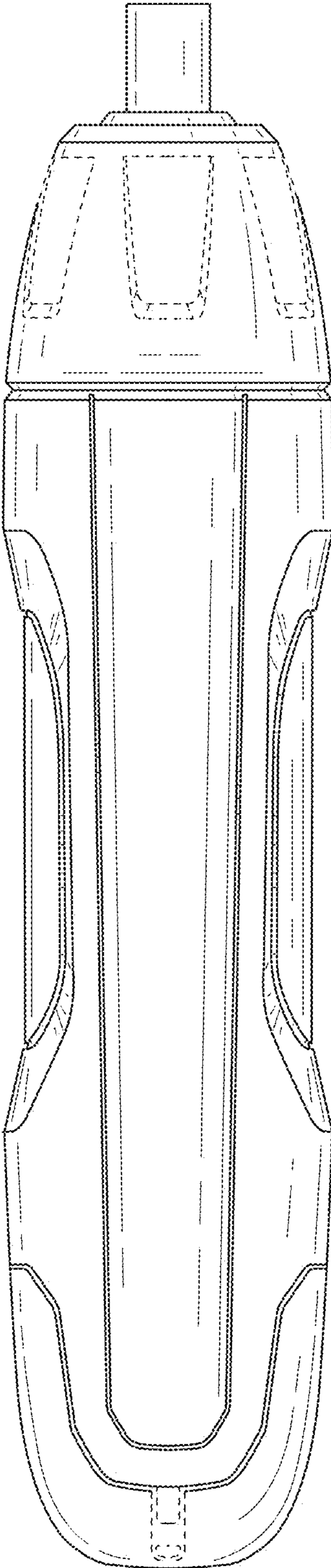


FIG. 3

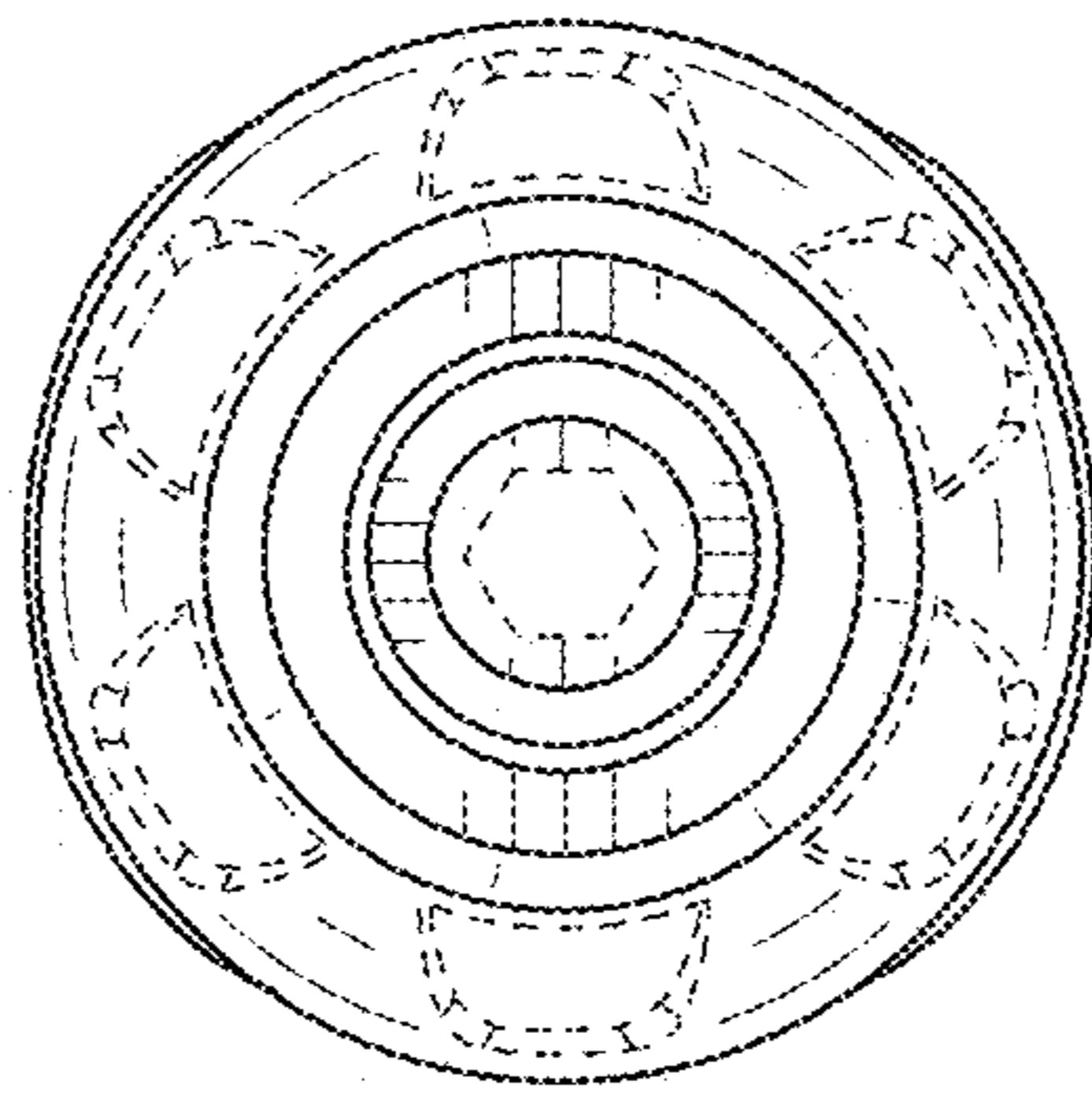


FIG. 4

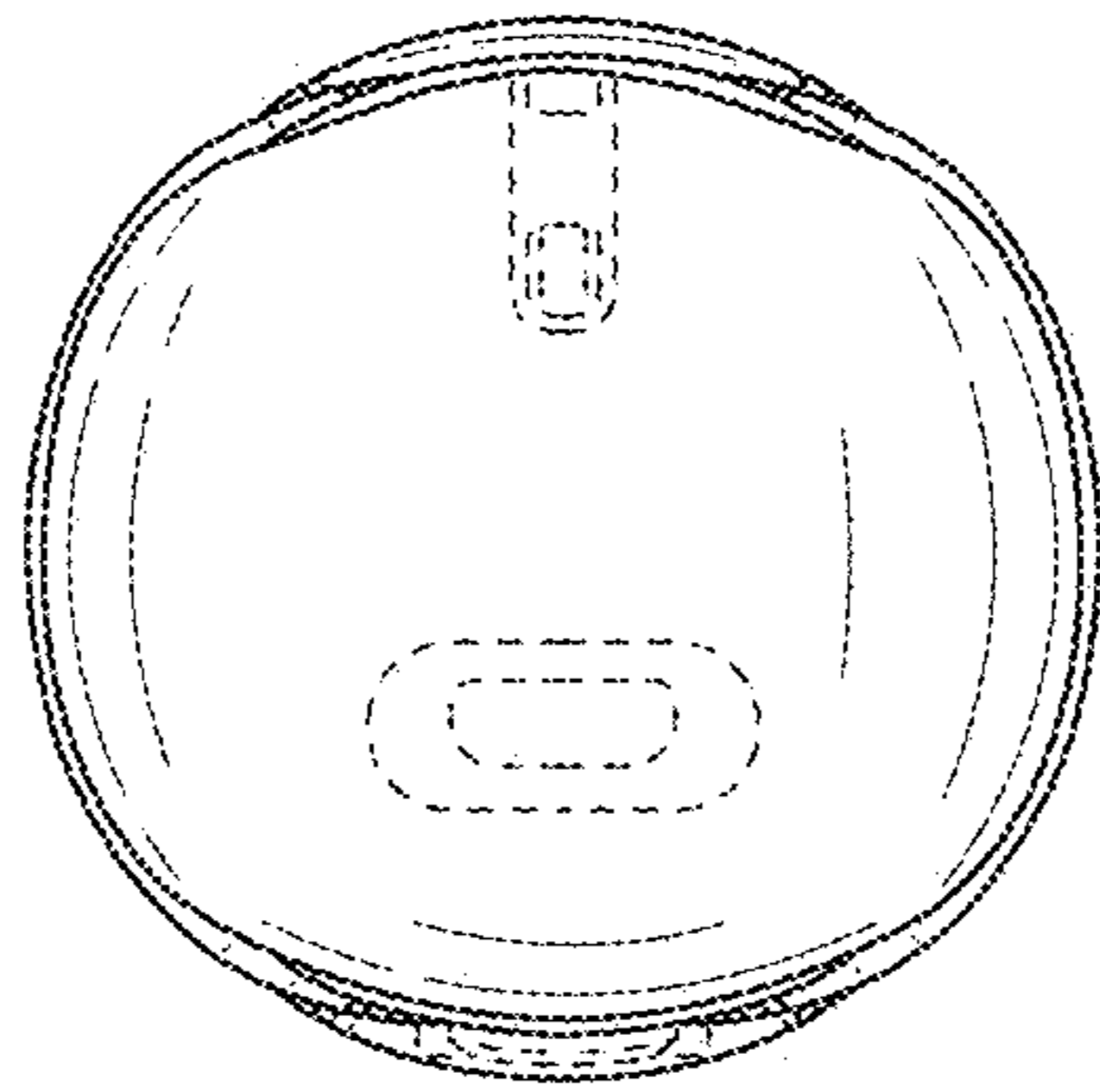


FIG. 5

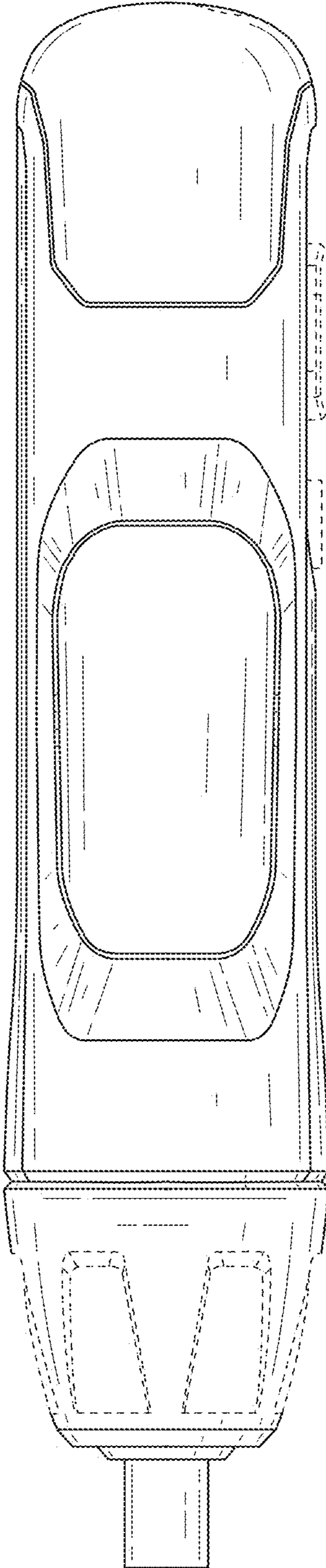


FIG. 6

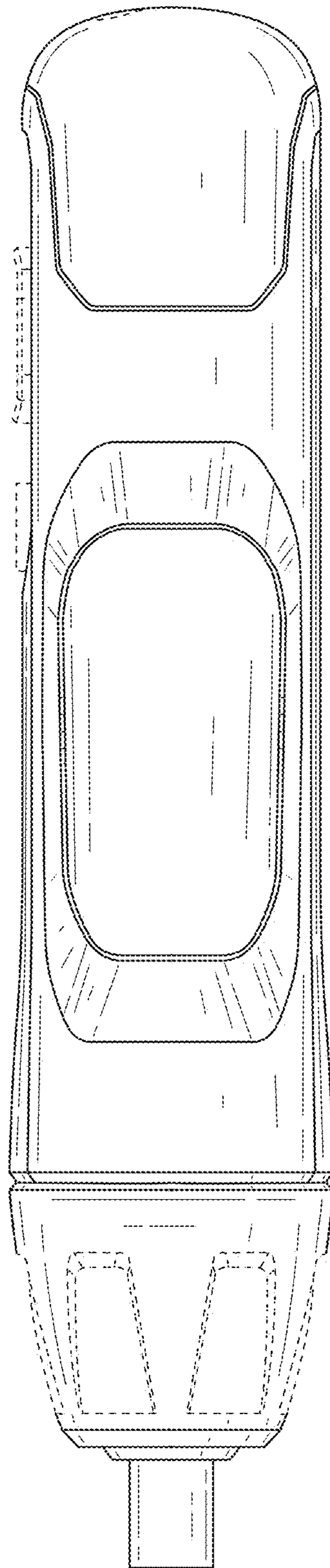


FIG. 7