



US00D939914S

(12) **United States Design Patent**  
**Povey et al.**

(10) **Patent No.:** **US D939,914 S**  
(45) **Date of Patent:** **\*\* Jan. 4, 2022**

- (54) **HANDLE MOUNT**
- (71) Applicant: **Povey LLC**, Verdi, NV (US)
- (72) Inventors: **Philip F. Povey**, Verdi, NV (US);  
**Jonathan Povey**, Verdi, NV (US)
- (73) Assignee: **Povey LLC**, Verdi, NV (US)
- (\*\*) Term: **15 Years**
- (21) Appl. No.: **29/737,347**
- (22) Filed: **Jun. 8, 2020**
- (51) **LOC (13) Cl.** ..... **08-02**
- (52) **U.S. Cl.**  
USPC ..... **D8/76; D8/80; D8/382**
- (58) **Field of Classification Search**  
USPC ..... D8/6, 7, 9, 10, 11, 12, 13, 76, 80, 81,  
D8/363, 382, 396, 349, 345; D7/393  
CPC ..... A01B 1/22; A01B 1/222; A01B 1/225;  
A01B 1/227; A01B 1/02; A01B 1/06;  
F16B 9/052; F16B 9/056; F16B 9/058;  
F16B 2200/50; F16B 2200/10; B25G  
3/02; B25G 3/04; B25G 3/24; B26B  
23/00

See application file for complete search history.

(56) **References Cited**

**U.S. PATENT DOCUMENTS**

- 110,126 A \* 12/1870 Fairley ..... F16B 12/12  
403/241
- 190,878 A \* 5/1877 Lester ..... A01B 1/227  
403/241
- 222,185 A \* 12/1879 Gragg ..... F16B 9/052  
403/247
- 255,708 A \* 3/1882 Wassmer ..... F16B 9/052  
403/241
- 456,142 A \* 7/1891 Garner ..... A01B 1/08  
403/199
- 623,708 A \* 4/1899 Ensley ..... F16B 9/052  
56/400.11

- 2,638,429 A \* 5/1953 Patterson ..... C09J 5/06  
285/198
- 3,063,174 A \* 11/1962 Ludin ..... B62B 1/147  
37/434
- 3,131,899 A \* 5/1964 Luhrs ..... F16B 12/52  
248/188
- D203,575 S \* 1/1966 Dobbs ..... D8/76
- 3,429,600 A \* 2/1969 Fred ..... F16B 9/058  
403/244
- 3,430,704 A \* 3/1969 Michael ..... A01B 1/20  
172/372
- 3,474,535 A \* 10/1969 Hyman ..... A01B 1/02  
30/315
- D294,233 S \* 2/1988 Myers ..... D8/10
- 4,886,125 A \* 12/1989 Reilly ..... A01B 1/16  
172/371
- D357,175 S \* 4/1995 Godfrey ..... D8/382

(Continued)

*Primary Examiner* — Holly E Thurman

*Assistant Examiner* — Ieisha N Price

(74) *Attorney, Agent, or Firm* — Stetina Brunda Garred and Brucker

(57) **CLAIM**

The ornamental design for a handle mount, as shown and described.

**DESCRIPTION**

FIG. 1 is an environmental top front perspective view of the handle mount of the present invention showing our new design;

FIG. 2 is a top front perspective view thereof;

FIG. 3 is a bottom front perspective view thereof;

FIG. 4 is a top plan view thereof;

FIG. 5 is a front elevational view thereof;

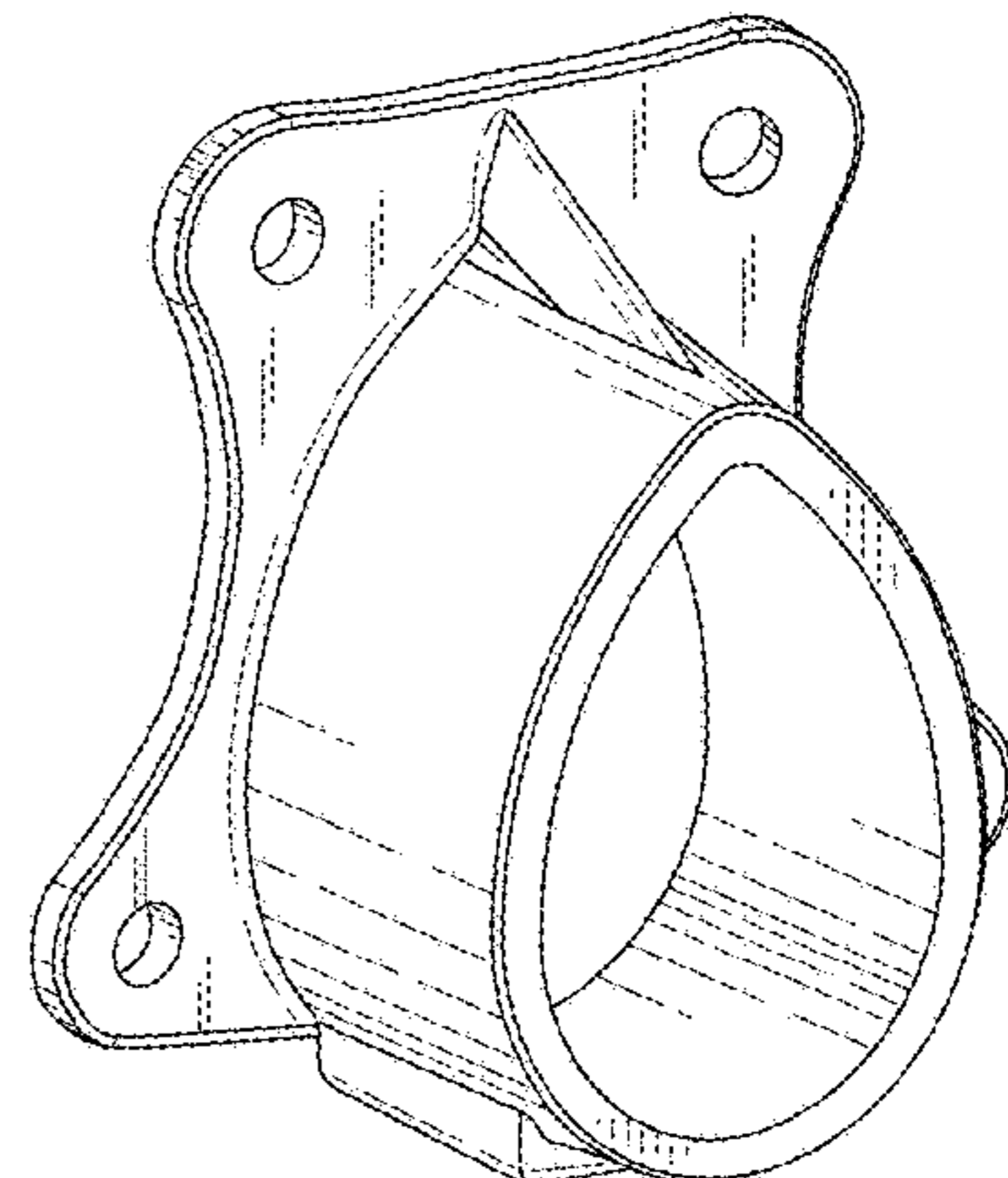
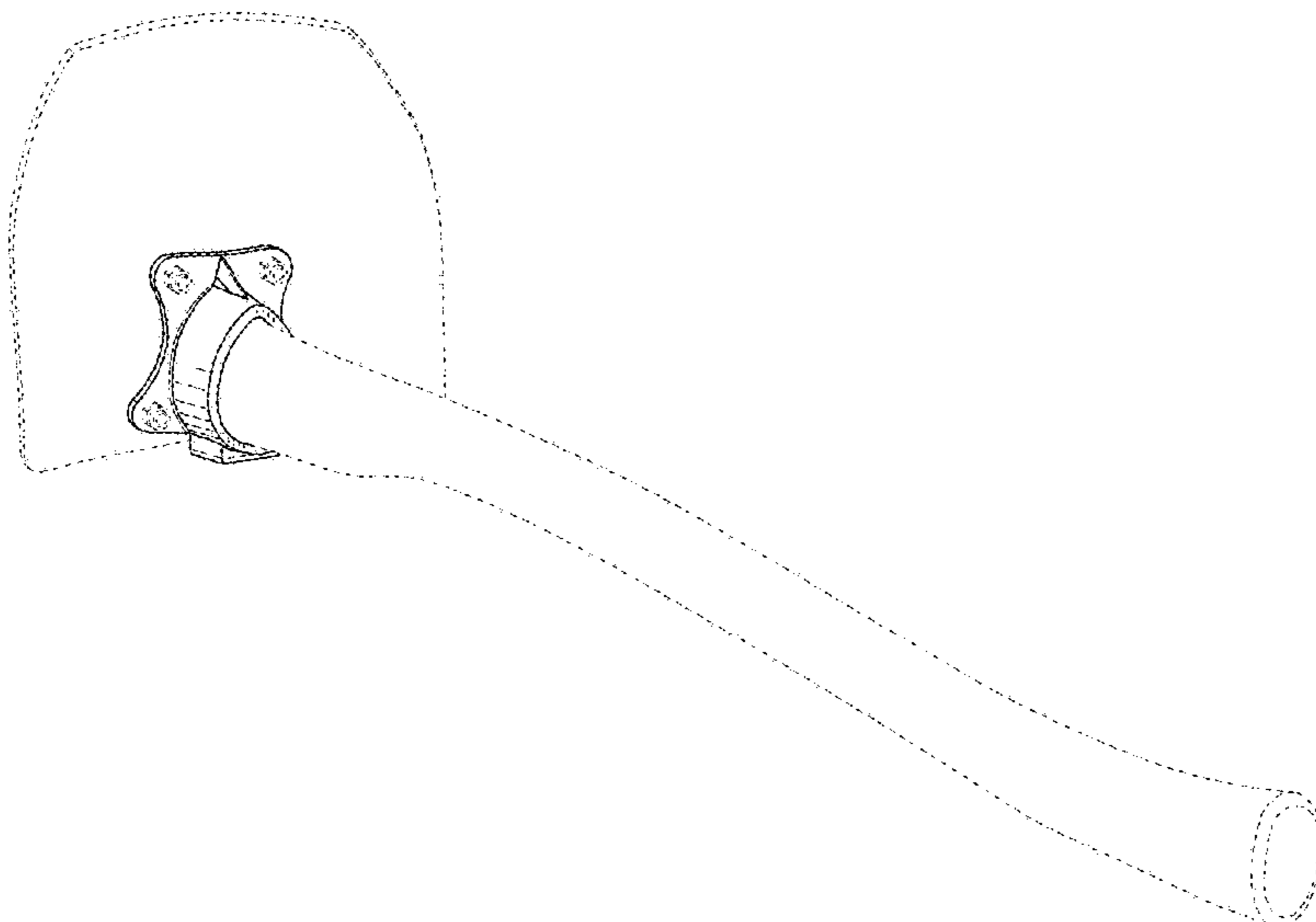
FIG. 6 is a bottom plan view thereof;

FIG. 7 is a rear elevational view thereof; and,

FIG. 8 is a left side elevational view thereof.

The dotted lines in the figures depict environmental structure and form no part of the claimed design.

**1 Claim, 3 Drawing Sheets**



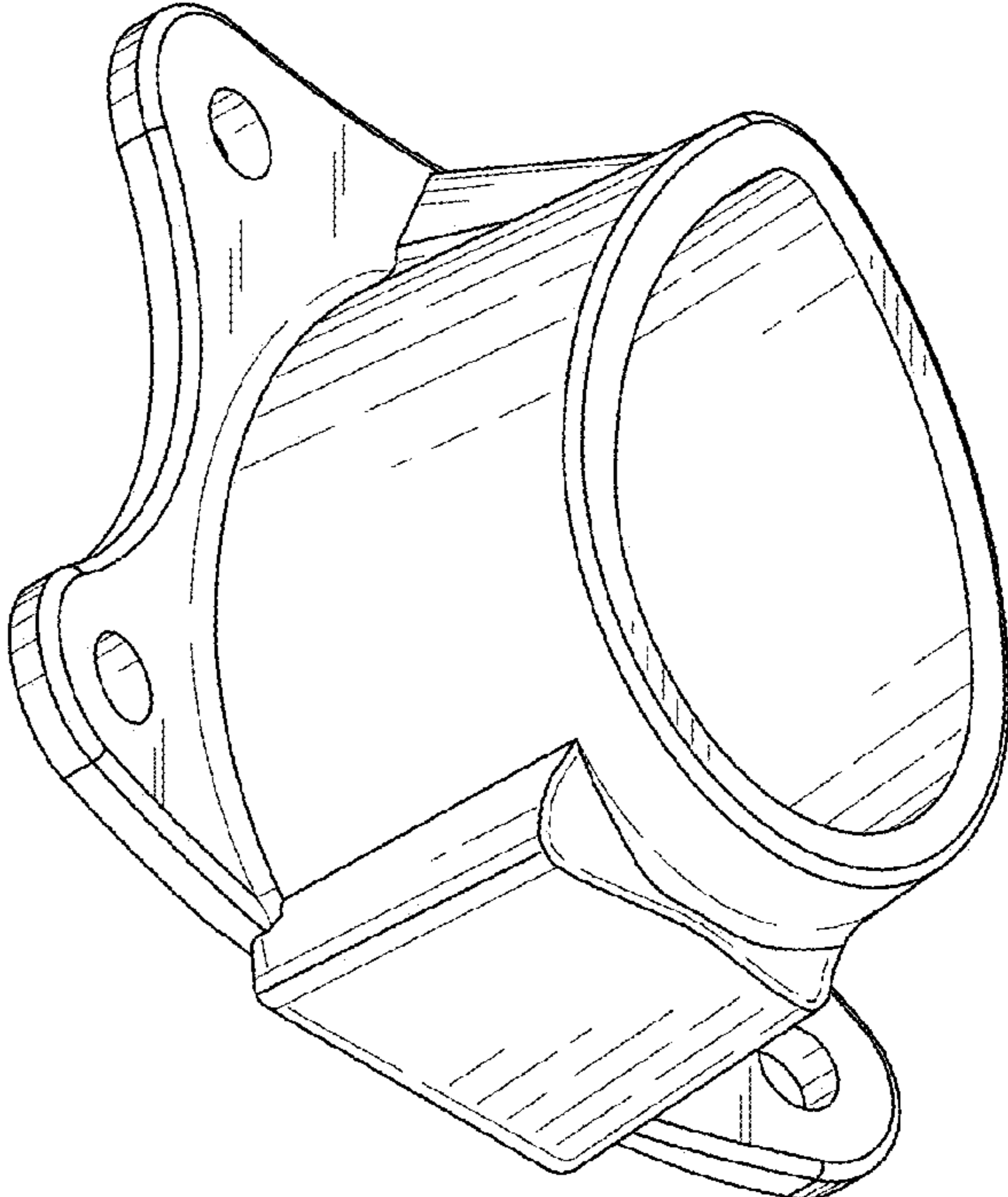
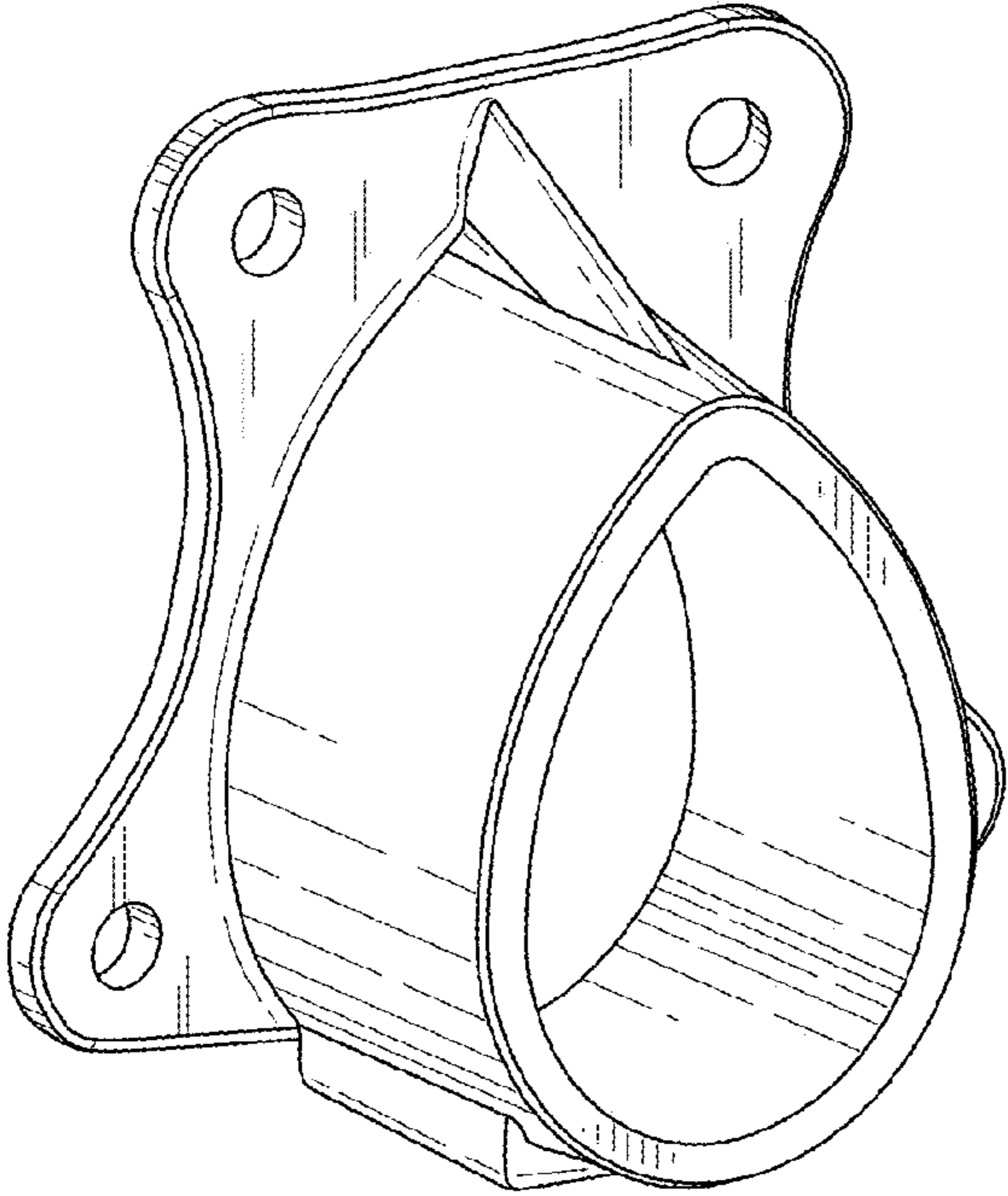
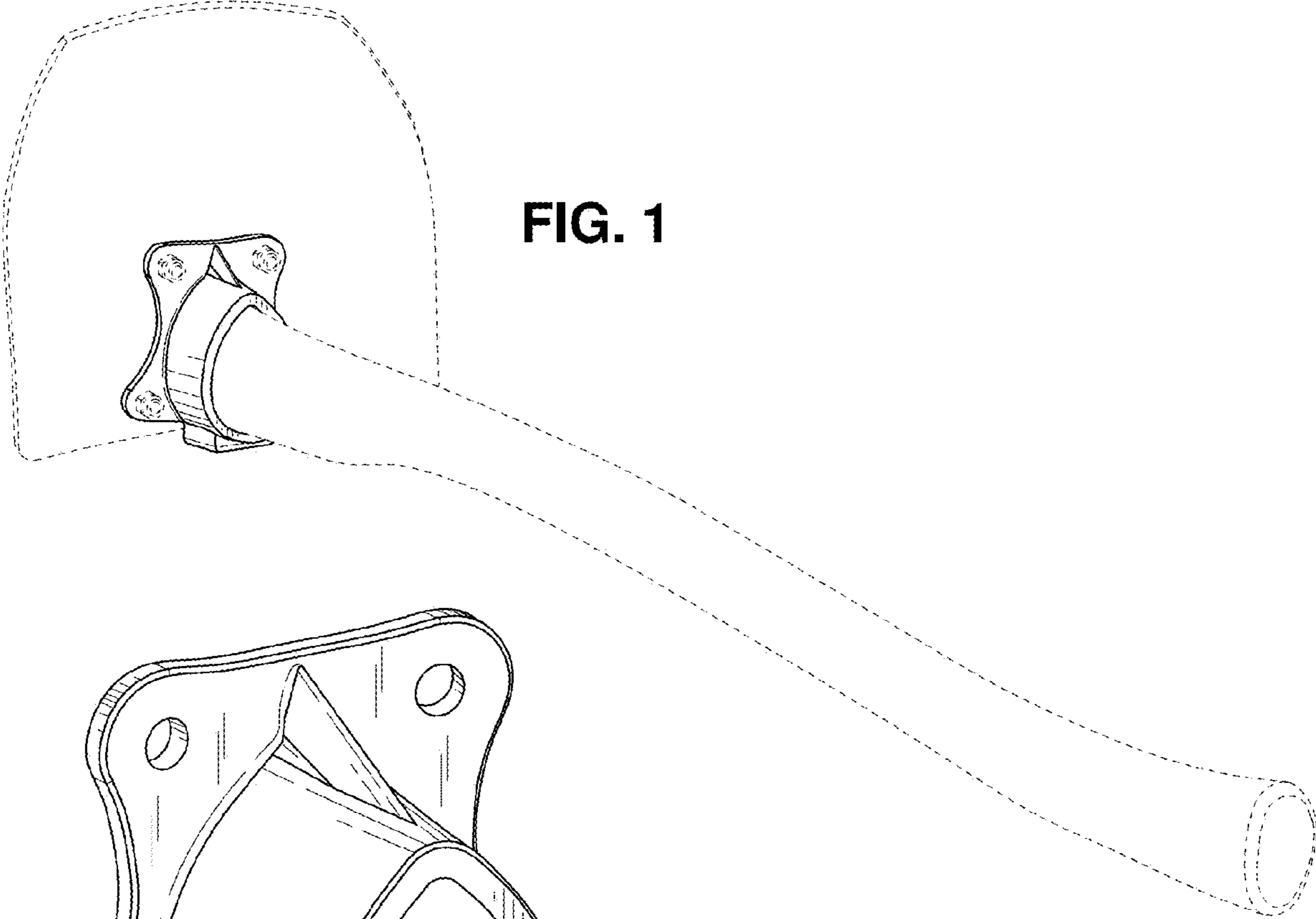
(56)

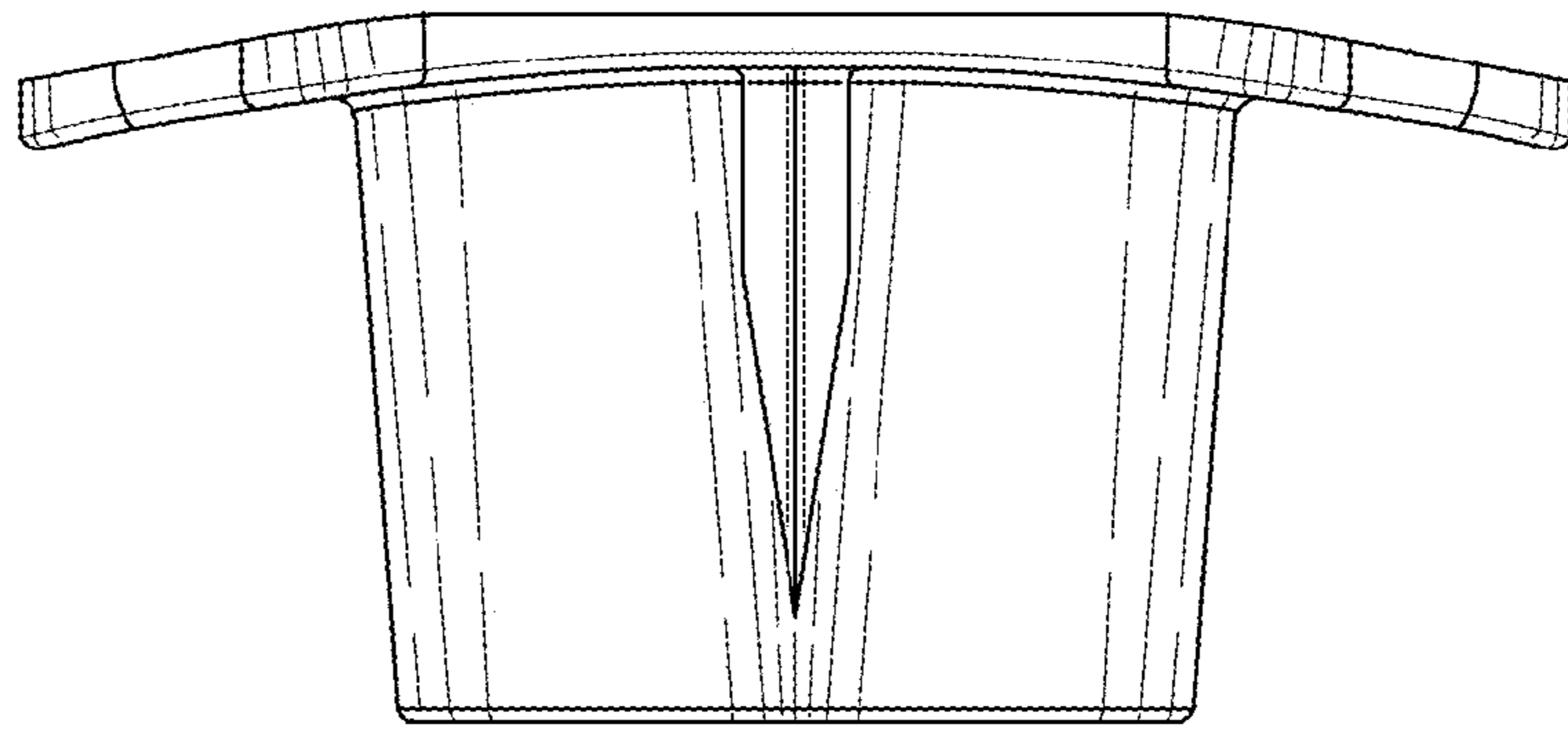
## References Cited

## U.S. PATENT DOCUMENTS

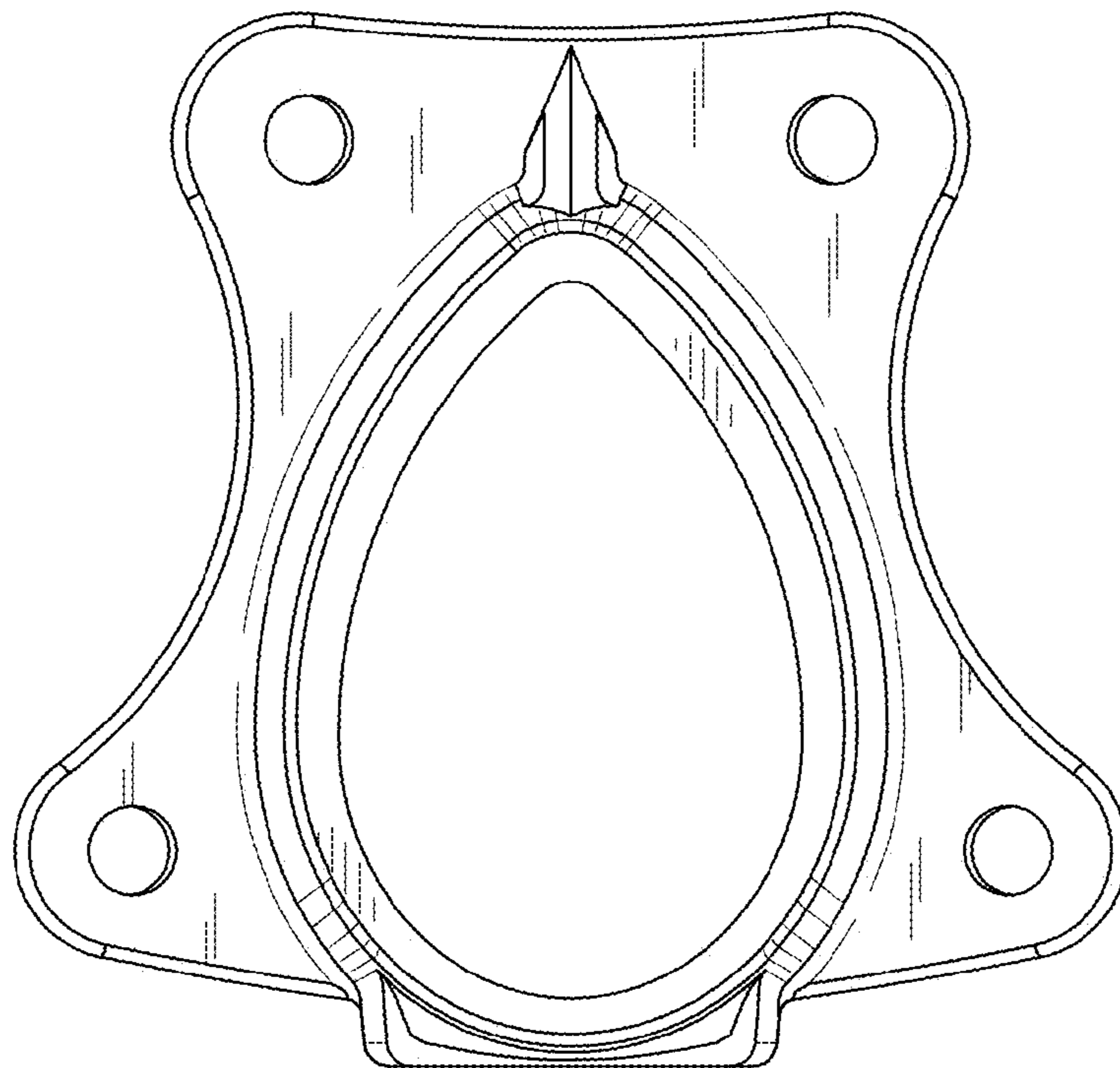
D379,141 S \* 5/1997 Cleghorn ..... D8/9  
D384,710 S \* 10/1997 Pahel ..... D21/694  
D406,219 S \* 3/1999 Basek ..... D8/13  
D406,927 S \* 3/1999 Feldmeier ..... D30/162  
D429,126 S \* 8/2000 Murdukhayev ..... D8/1  
D436,843 S \* 1/2001 Mudryk ..... D8/382  
D448,717 S \* 10/2001 Hanson ..... D12/162  
D452,424 S \* 12/2001 Simpson, Sr. .... D8/107  
6,527,469 B1 \* 3/2003 Erwin ..... E04F 11/181  
403/192  
D479,117 S \* 9/2003 Mercier ..... D8/354  
D488,704 S \* 4/2004 Mercier ..... D8/354  
D494,822 S \* 8/2004 Wyles ..... D8/11  
D504,061 S \* 4/2005 Fisher ..... D8/382  
D564,868 S \* 3/2008 Terada ..... D8/382  
D571,148 S \* 6/2008 Munari ..... D7/393  
D579,759 S \* 11/2008 Strait ..... D8/349  
D580,219 S \* 11/2008 Munari ..... D7/393  
D598,736 S \* 8/2009 Wakasugi ..... D8/382  
D661,958 S \* 6/2012 Pizzeta ..... D8/11  
D854,403 S \* 7/2019 Guo ..... D8/382  
D923,439 S \* 6/2021 Gutierrez ..... D8/11  
D923,440 S \* 6/2021 Gutierrez ..... D8/11  
2004/0244117 A1 \* 12/2004 Huang ..... A01B 1/227  
7/114  
2011/0013977 A1 \* 1/2011 Valsecchi ..... A47J 45/061  
403/190  
2018/0030734 A1 \* 2/2018 Guo ..... E04H 17/1417

\* cited by examiner

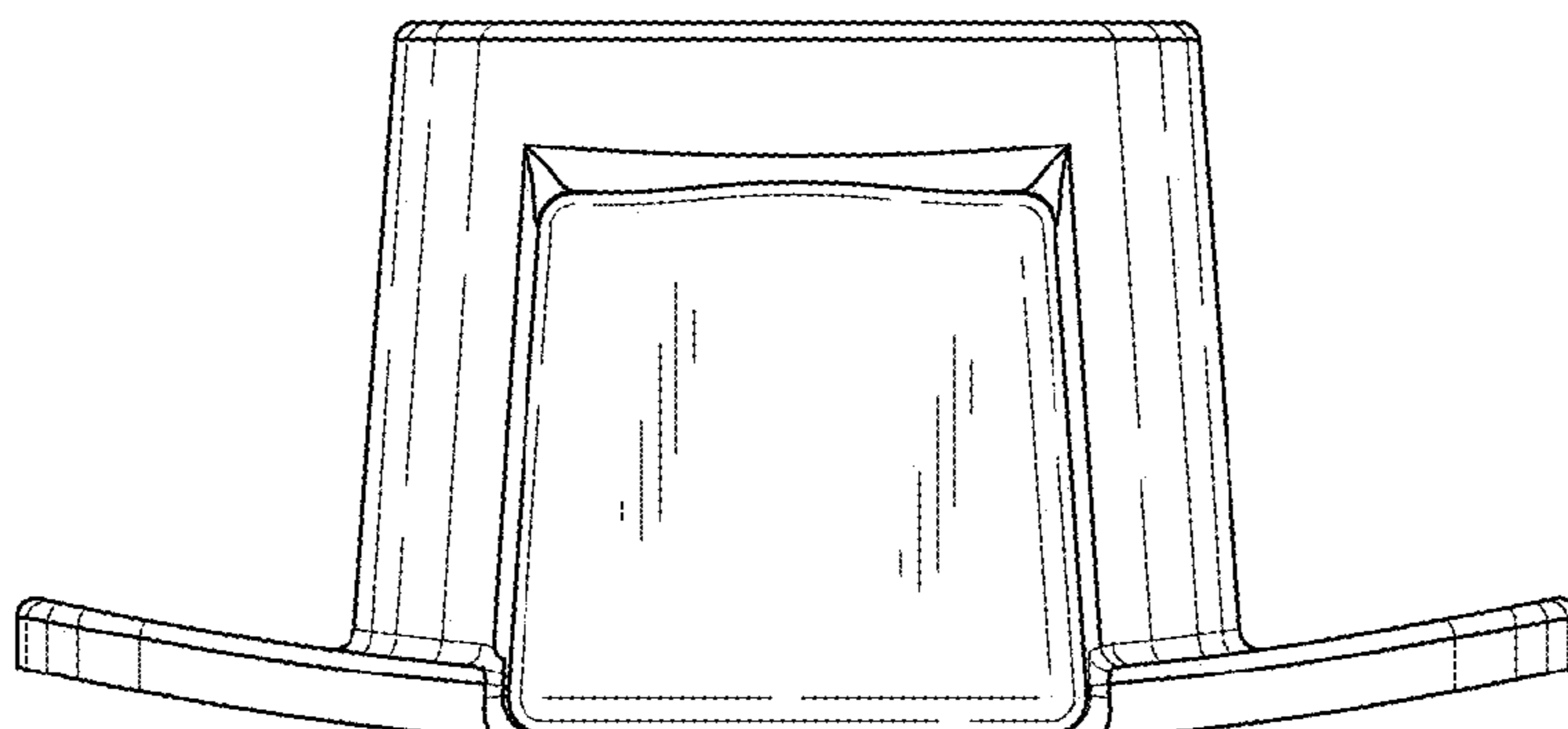




**FIG. 4**



**FIG. 5**



**FIG. 6**

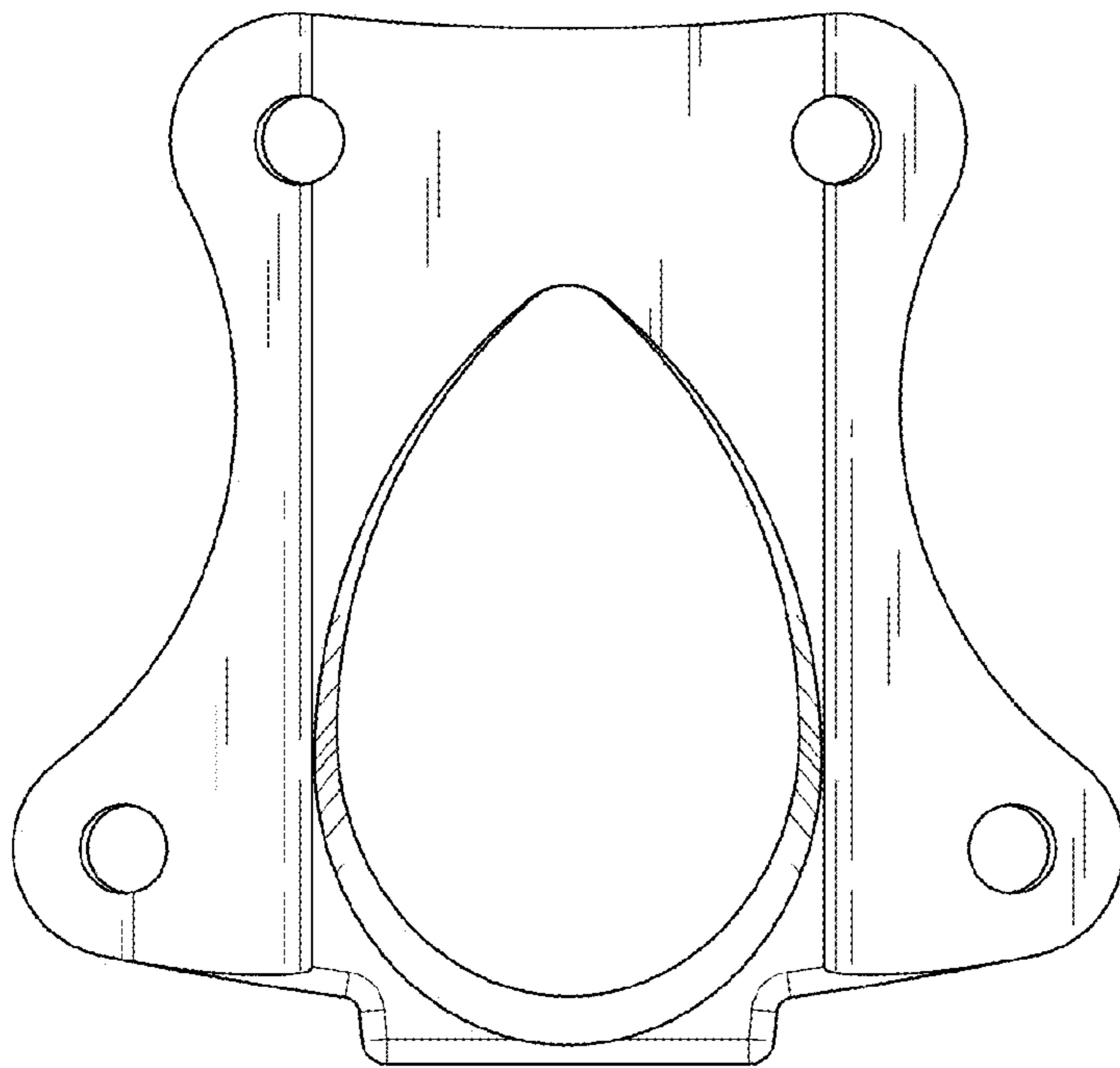


FIG. 7

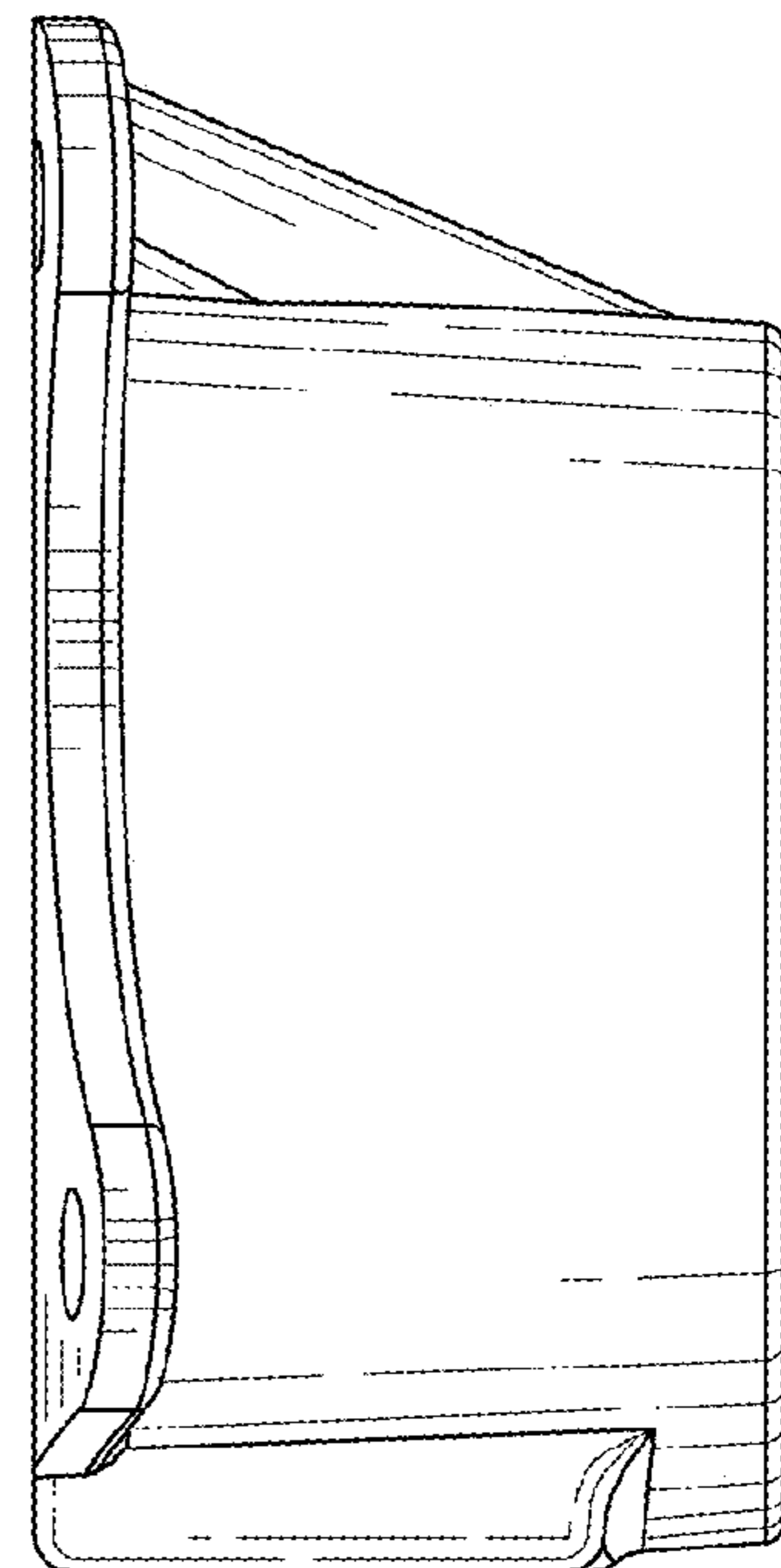


FIG. 8