



US00D939913S

(12) **United States Design Patent**
Dickerson et al.

(10) **Patent No.:** **US D939,913 S**
(45) **Date of Patent:** **** Jan. 4, 2022**

(54) **DOORSTOP**
(71) Applicant: **East Carolina University**, Greenville, NC (US)
(72) Inventors: **Daniel Lee Dickerson**, Gatesville, NC (US); **Ethan John Smith**, Garner, NC (US)
(73) Assignee: **East Carolina University**, Greenville, NC (US)
(**) Term: **15 Years**

D682,661 S * 5/2013 Fitzpatrick F16M 13/02 D8/354
8,869,451 B2 * 10/2014 Belyea E06B 7/362 49/383
D721,498 S * 1/2015 Holt D3/318
D753,472 S * 4/2016 Pan D8/371
D805,044 S * 12/2017 Sakai D13/182
D809,905 S * 2/2018 Gunderson D8/371
D857,610 S * 8/2019 Meldrum D12/415
D885,481 S * 5/2020 Tung D19/75
D890,085 S * 7/2020 Baird D13/102
D892,106 S * 8/2020 Ji D14/250
D904,790 S * 12/2020 Zhong D6/549
D907,024 S * 1/2021 Ji D14/250

(Continued)

(21) Appl. No.: **29/717,844**
(22) Filed: **Dec. 19, 2019**
(51) **LOC (13) Cl.** **08-05**
(52) **U.S. Cl.**
USPC **D8/71; D8/367**
(58) **Field of Classification Search**
USPC D8/355, 363, 366, 367, 371, 372, 373, D8/400-499; D6/323, 324, 327, 328, D6/524, 526, 531, 534, 538, 553, 529
CPC E05F 5/00; E05F 5/04; E05Y 2600/52
See application file for complete search history.

(56) **References Cited**

U.S. PATENT DOCUMENTS

3,181,827 A * 5/1965 Sassin F16L 3/24 248/74.2
3,420,399 A * 1/1969 Heisler B65D 45/18 220/324
D295,521 S * 5/1988 Mockett D13/155
4,831,688 A * 5/1989 Deininger E05F 5/00 16/319
D322,389 S * 12/1991 Harmon D8/380
D342,889 S * 1/1994 Adams D8/367
D442,076 S * 5/2001 Swanson D8/373
D469,341 S * 1/2003 Knapp D6/323
D607,311 S * 1/2010 Snider D8/367
D620,348 S * 7/2010 Leung D8/402

OTHER PUBLICATIONS

Website Screen Shot of Product, "Use of Red/Green/Blue Cards", downloaded Feb. 2020.

(Continued)

Primary Examiner — Keli L Hill
Assistant Examiner — Harold E Blackwell, II
(74) *Attorney, Agent, or Firm* — Jenkins, Wilson, Taylor & Hunt, P.A.

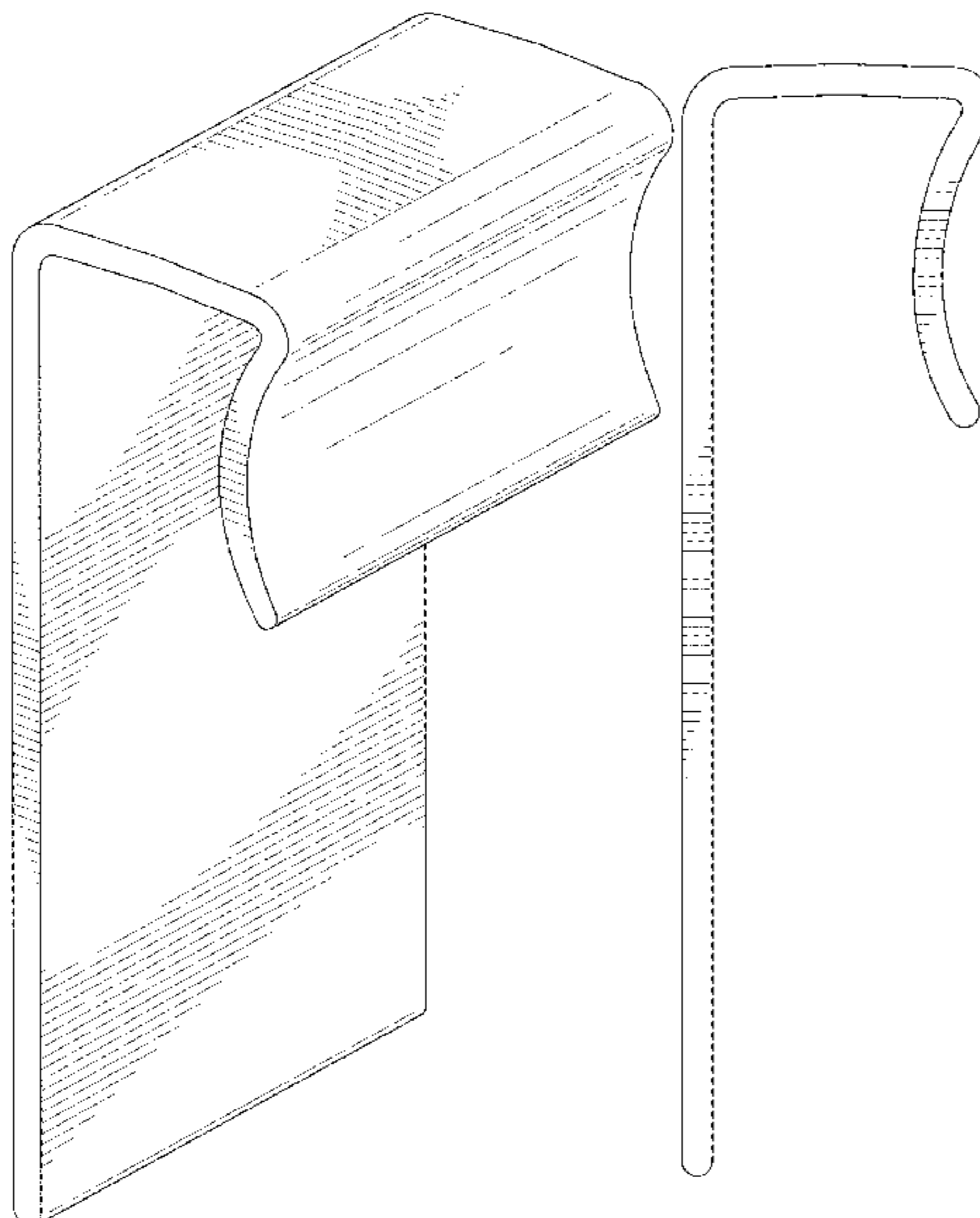
(57) **CLAIM**

The ornamental design for a doorstop, as shown and described.

DESCRIPTION

FIG. 1 is a perspective view of a doorstop showing our design;
FIG. 2 is a front view of a doorstop of FIG. 1;
FIG. 3 is a rear view of a doorstop of FIG. 1;
FIG. 4 is a left side view of a doorstop of FIG. 1;
FIG. 5 is a right side view of a doorstop of FIG. 1;
FIG. 6 is a top view of a doorstop of FIG. 1; and,
FIG. 7 is a bottom view of a doorstop of FIG. 1.

1 Claim, 6 Drawing Sheets



(56)

References Cited

U.S. PATENT DOCUMENTS

2008/0307604 A1* 12/2008 Leung E05F 5/06
16/82
2009/0320237 A1* 12/2009 Kersting E05F 5/06
16/82

OTHER PUBLICATIONS

Website Screen Shot of Product, “2pcs U Baby Safety Gate Card Infant Door Stop. . . .”, downloaded Feb. 2020.
Website Screen Shot of Product, “2X4 Bar Holder Bracket for Door Barricade. . . .”, downloaded Feb. 2020.
Website Screen Shot of Product, “Legacy Series Clip-On Door Bracket BRKT”, downloaded Feb. 2020.
Website Screen Shot of Product, “Wedge-It”, downloaded Feb. 2020.
Website Screen Shot of Product, “Door Pinch Guards”, downloaded Feb. 2020.

Website Screen Shot of Product, “Addalock”, downloaded Feb. 2020.

Website Screen Shot of Product, “Intruder Defense System, Inward Swinging Commercial Doors, DSI-1”, downloaded Feb. 2020.

Website Screen Shot of Product, “Geanli Portable Door Jammer—Home Security Door Stopper Lock and Personal Protection Lockdown”, downloaded Feb. 2020.

Website Screen Shot of Product, “American Door Jammer, Keyless Portable Door Lock for Home Defense. . . .”, downloaded Feb. 2020.

Website Screen Shot of Product, “High Density Lockdown Magnetic Strips for School Lockdowns or Office Emergency. . . .”, downloaded Feb. 2020.

Website Screen Shot of Product, “Full Size Lockdown Magnetic Strips for School Lockdowns. . . .”, downloaded Feb. 2020.

Website Screen Shot of Product, “Giant Foot® Industrial Door-stop”, downloaded Feb. 2020.

Website Screen Shot of Product, “Plastic Wedge for Feeder”, downloaded Feb. 2020.

* cited by examiner

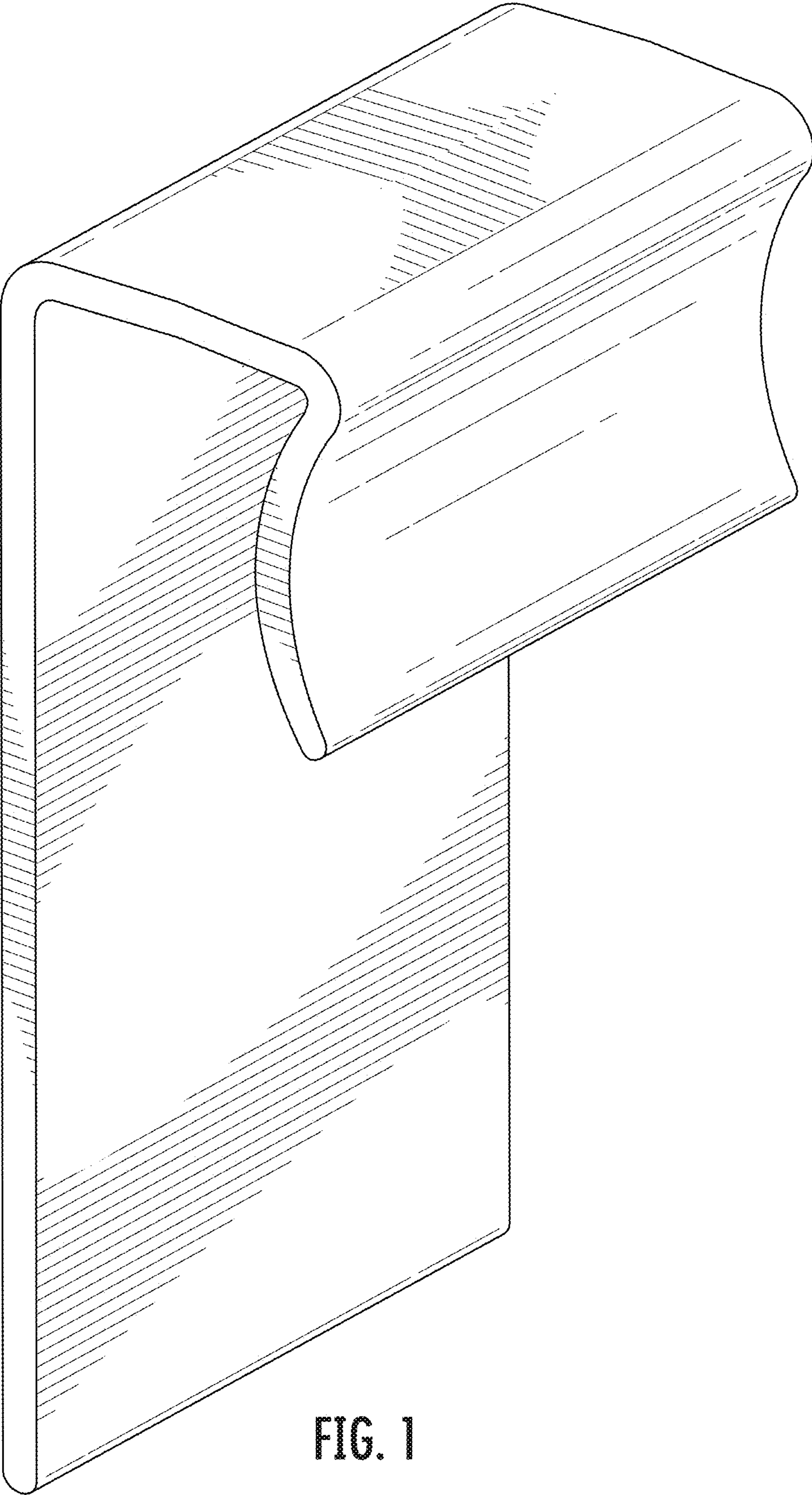


FIG. 1

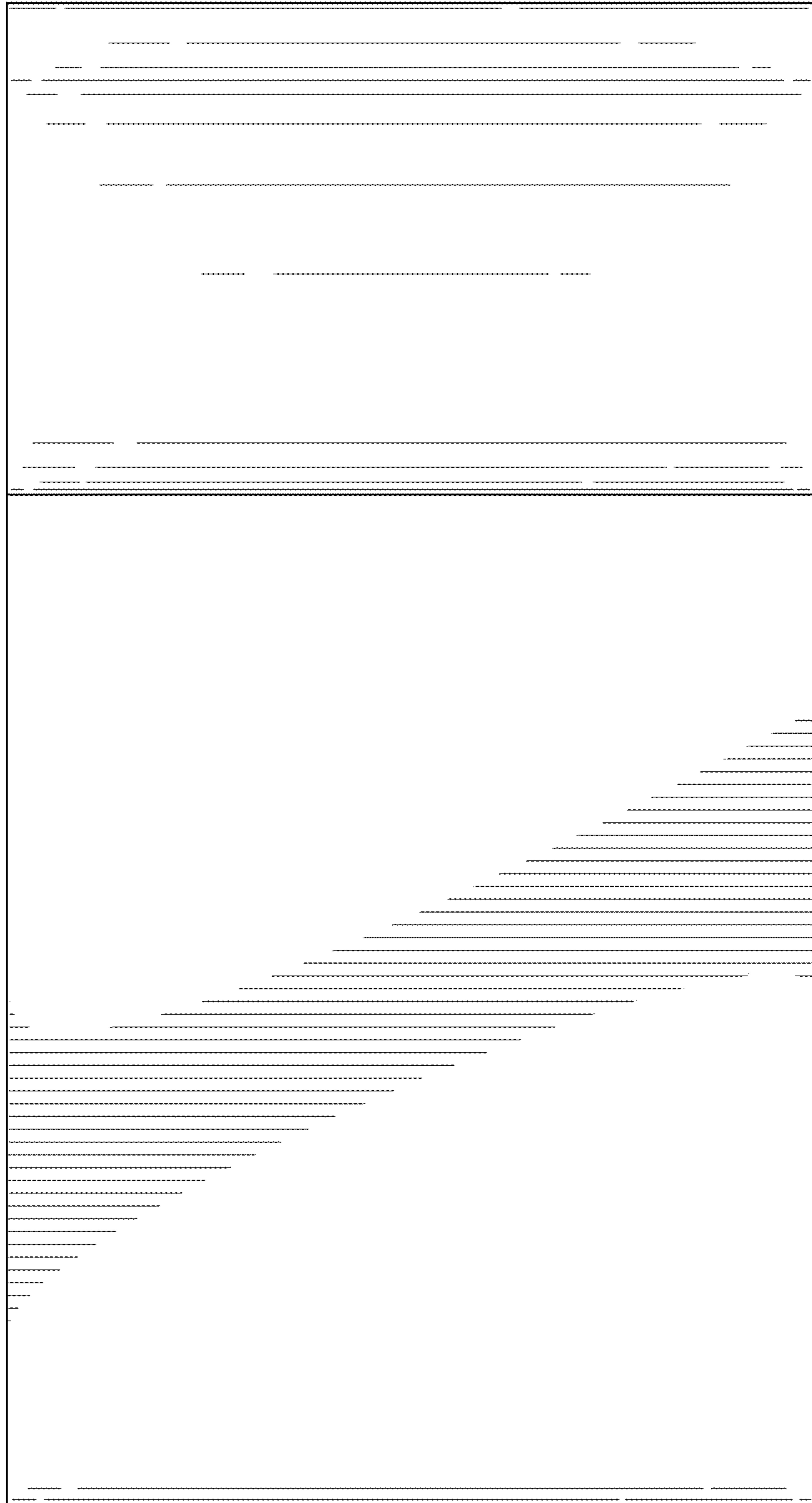


FIG. 2



FIG. 3

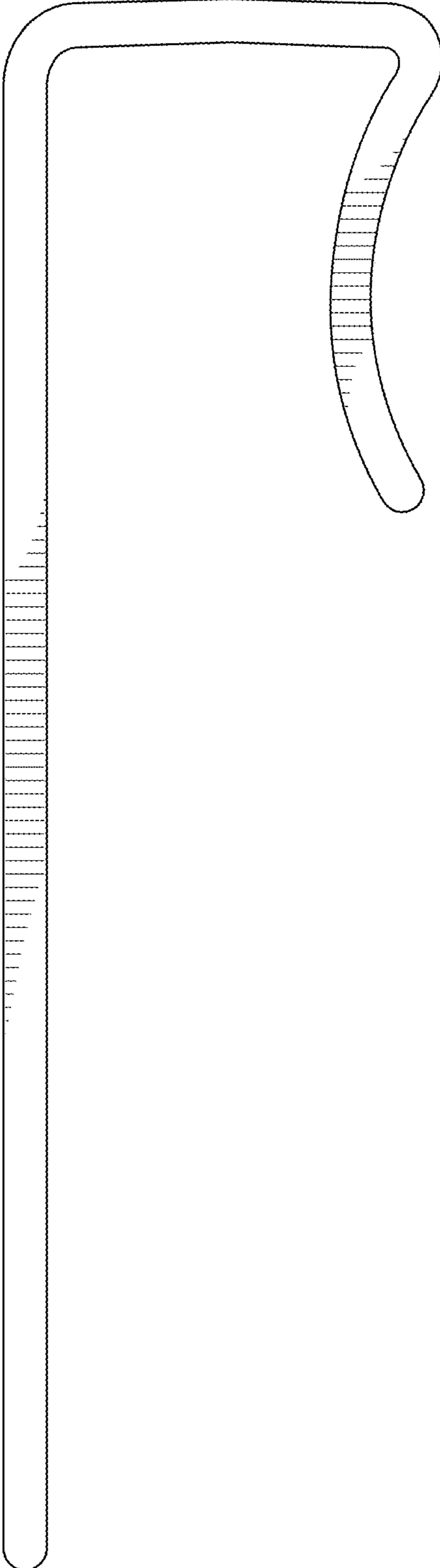


FIG. 4

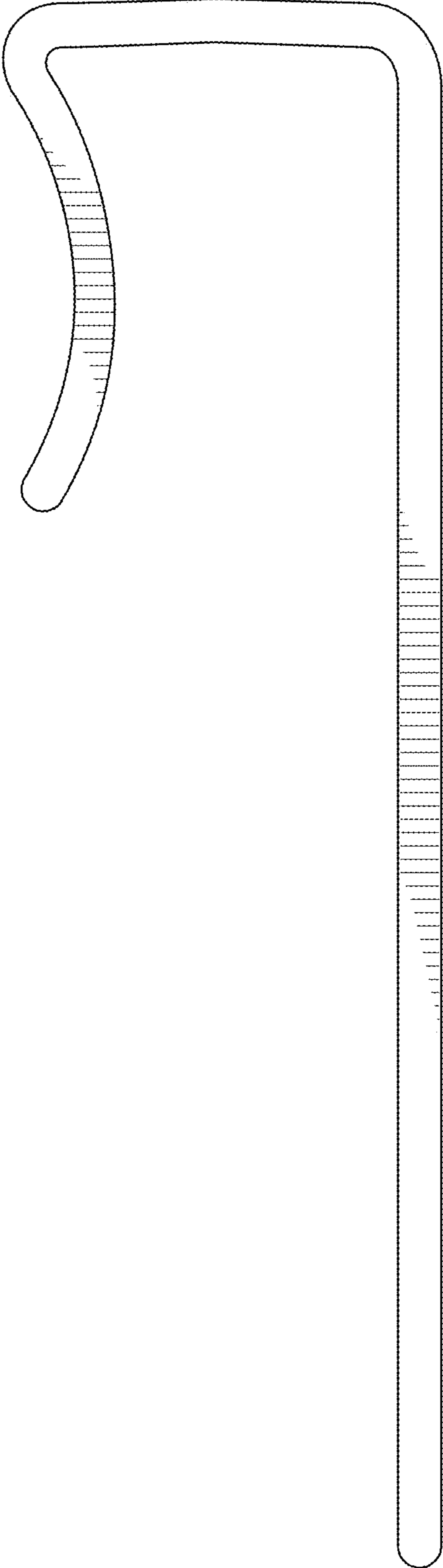


FIG. 5

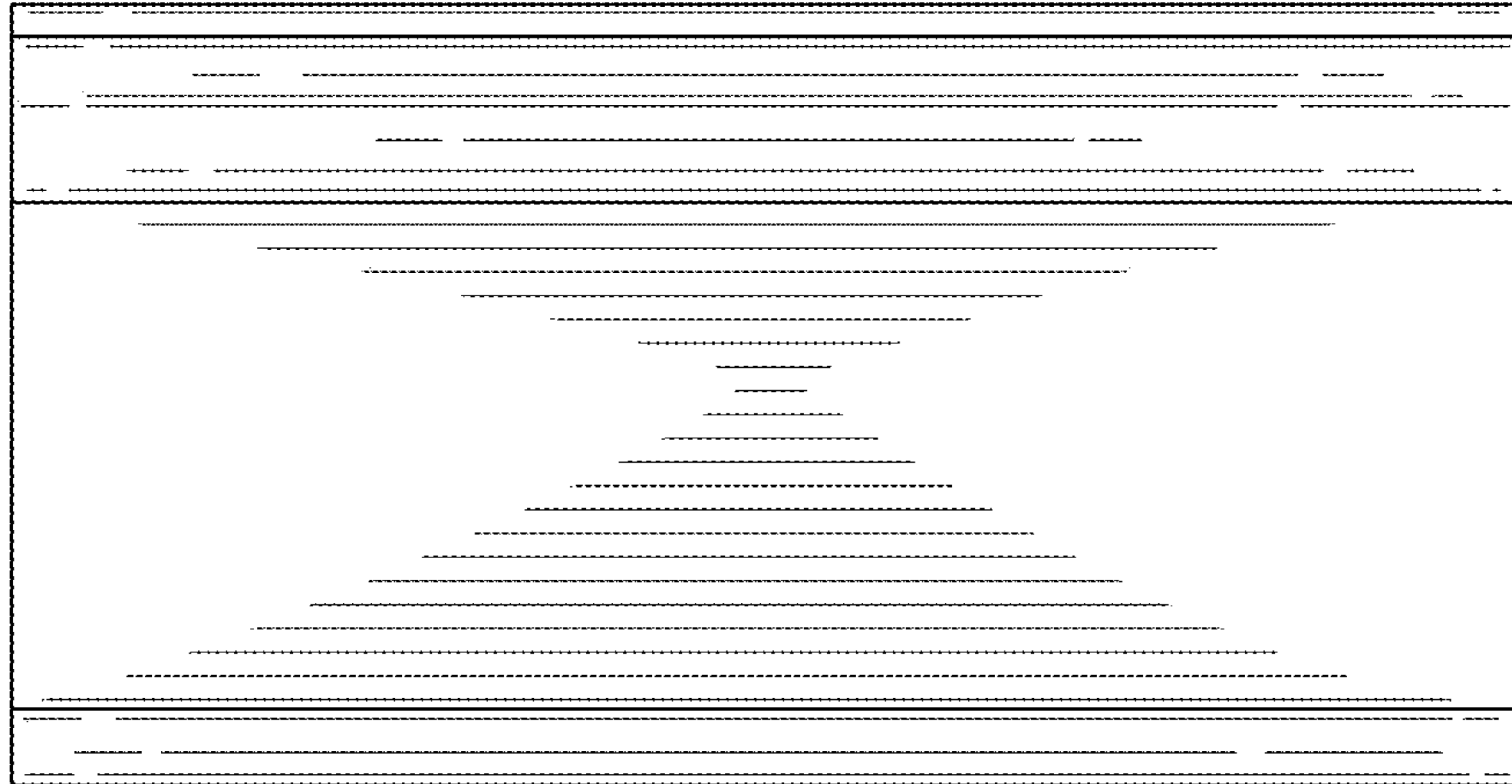


FIG. 6

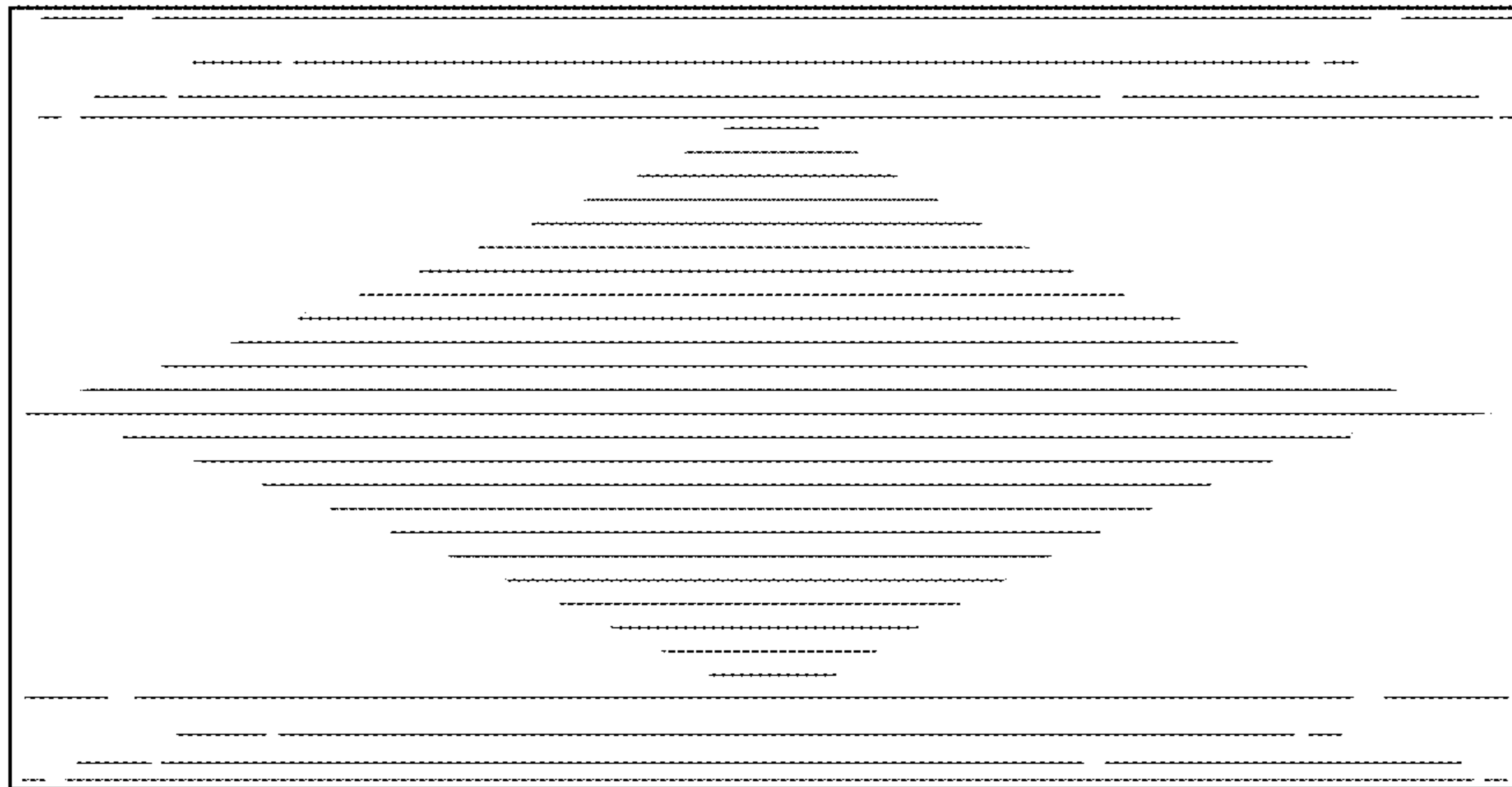


FIG. 7