



US00D939912S

(12) **United States Design Patent**  
**Mehra et al.**

(10) **Patent No.: US D939,912 S**  
(45) **Date of Patent: \*\* Jan. 4, 2022**

(54) **REAR HANDLE CHAINSAW**

- (71) Applicant: **Husqvarna AB**, Huskvarna (SE)
- (72) Inventors: **Rajinder Mehra**, Johanneshov (SE);  
**Tor Sigurdsson**, Stockholm (SE)
- (73) Assignee: **Husqvarna AB**, Huskvarna (SE)
- (\*\*) Term: **15 Years**
- (21) Appl. No.: **29/710,531**
- (22) Filed: **Oct. 24, 2019**

(30) **Foreign Application Priority Data**

Apr. 24, 2019 (EM) ..... 006394284-0001

(51) **LOC (13) Cl.** ..... **08-03**

(52) **U.S. Cl.**  
USPC ..... **D8/64**

(58) **Field of Classification Search**  
USPC ..... D8/69, 68, 67, 66, 61, 70, 62, 64, 65;  
83/698, 41, 747, 166.3, 374, 373, 375,  
83/376, 391, 377, 390, 388, 389;  
144/218; 125/13.01  
CPC .. B22F 2005/00; B22F 2005/001; B27B 9/00;  
B27B 9/02; B27B 5/02; B27B 5/18;  
B27B 33/08; B27B 17/0008; B27B 17/02;  
B28D 1/045; B23D 45/00; B24D 3/06;  
B24D 5/02  
See application file for complete search history.

(56) **References Cited**

**U.S. PATENT DOCUMENTS**

- 3,881,250 A \* 5/1975 Frederickson ..... F02M 35/024  
30/383
- 5,016,355 A \* 5/1991 Gassen ..... B27B 17/0008  
173/162.1
- D649,852 S \* 12/2011 Tinius ..... D8/65
- D649,853 S \* 12/2011 Tinius ..... D8/65
- D690,570 S \* 10/2013 Tinius ..... D8/65
- D711,700 S \* 8/2014 Mehra ..... D8/8

(Continued)

**OTHER PUBLICATIONS**

Husqvarna 120i 40V Cordless Chainsaw, Date Visited: Jan. 29, 2021, Amazon.com, Date: Aug. 15, 2017, [https://www.amazon.ca/Husqvarna-120i-40V-Cordless-Chainsaw/dp/B06XNPXGBY/ref=sr\\_1\\_1?dchild=1&keywords=husqvarna+540i+xp&qid=1611970894&sr=8-1](https://www.amazon.ca/Husqvarna-120i-40V-Cordless-Chainsaw/dp/B06XNPXGBY/ref=sr_1_1?dchild=1&keywords=husqvarna+540i+xp&qid=1611970894&sr=8-1) (Year: 2017).\*

(Continued)

*Primary Examiner* — Karen S Acker  
*Assistant Examiner* — Elizabeth S Ko

(74) *Attorney, Agent, or Firm* — Burr & Forman, LLP

(57) **CLAIM**

The ornamental design for a rear handle chainsaw, as shown and described.

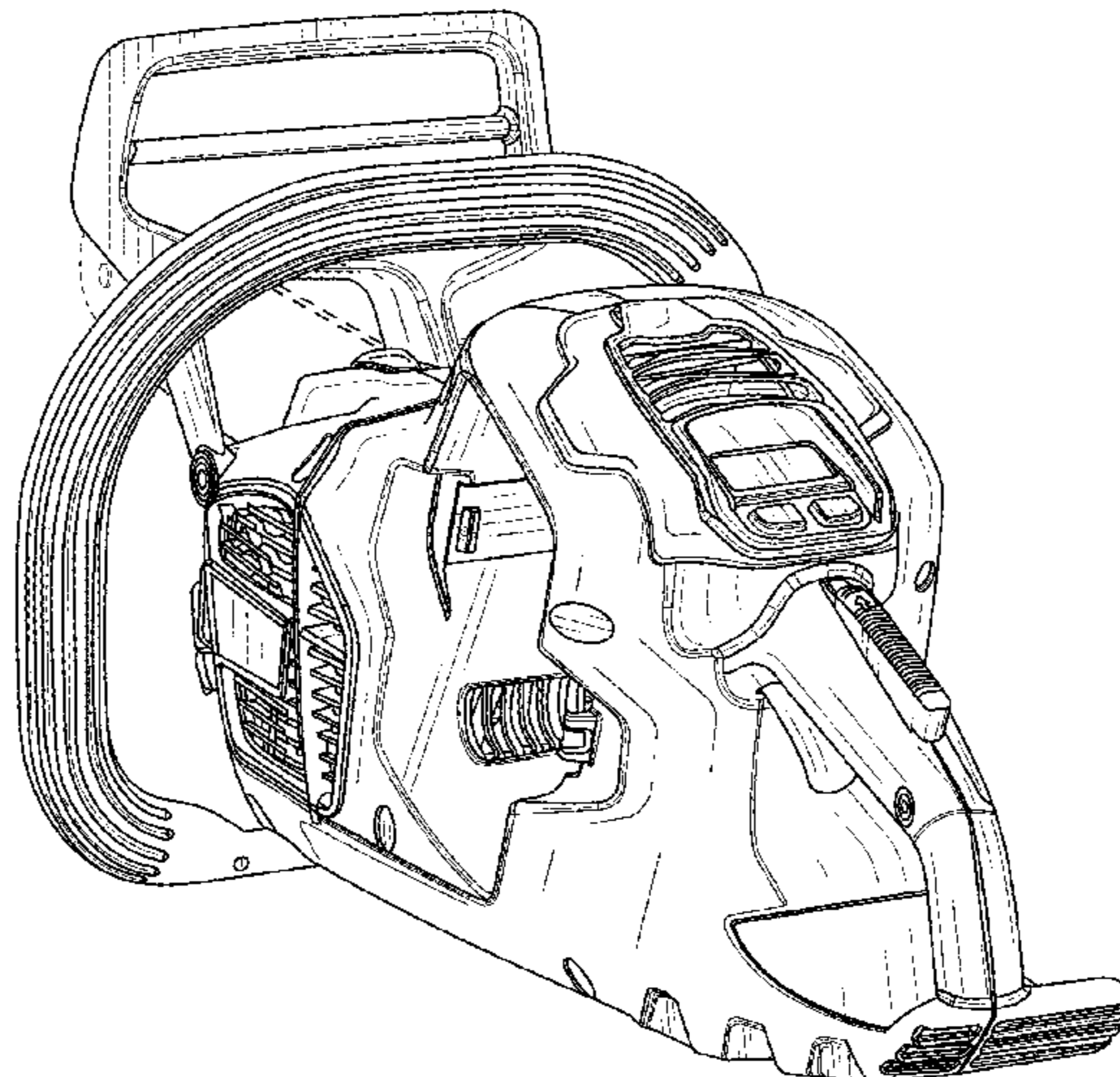
**DESCRIPTION**

FIG. 1 is a perspective view of a rear handle chainsaw in accordance with an embodiment of the present invention; FIG. 2 is a top side view of the rear handle chainsaw of FIG. 1; FIG. 3 is a bottom view of the rear handle chainsaw of FIG. 1; FIG. 4 is a left side view of the rear handle chainsaw of FIG. 1; FIG. 5 is a right side view of the rear handle chainsaw of FIG. 1; FIG. 6 is a rear view of the rear handle chainsaw of FIG. 1; and, FIG. 7 is a front view of the rear handle chainsaw of FIG. 1.

The broken lines of the rear handle chainsaw in FIGS. 1-7 are illustrative of portions of the rear handle chainsaw that form no part of the claimed design.

The dash-dot-dash broken lines of FIG. 7 illustrate an unclaimed boundary and portions inside the boundary form no part of the claimed design.

**1 Claim, 7 Drawing Sheets**



(56)

**References Cited**

## U.S. PATENT DOCUMENTS

D767,962 S \* 10/2016 Schoch ..... D8/65  
D859,950 S \* 9/2019 Dretzka ..... D8/65  
D882,364 S \* 4/2020 Lau ..... D8/65  
10,695,943 B2 \* 6/2020 Kachi ..... B27B 17/0008  
D897,175 S \* 9/2020 Kuang ..... D8/65  
2011/0072671 A1 \* 3/2011 Tsuruoka ..... B27B 17/00  
30/383  
2012/0204432 A1 \* 8/2012 Martinsson ..... B25F 5/02  
30/517  
2013/0312267 A1 \* 11/2013 Engel ..... B27B 17/08  
30/123.4  
2014/0283395 A1 \* 9/2014 Fu ..... B23D 57/023  
30/381  
2018/0200917 A1 \* 7/2018 Kachi ..... B27G 19/003  
2019/0134844 A1 \* 5/2019 Sarius ..... B27B 17/025  
2020/0198031 A1 \* 6/2020 Schriever ..... B23D 59/001

## OTHER PUBLICATIONS

Husqvarna Chainsaws 540i XP, Date Visited: Jan. 29, 2021, Husqvarna.com, Date: Jan. 29, 2021, <https://www.husqvarna.com/us/products/chainsaws/540i-xp/967864014/> (Year: 2021).\*

Husqvarna releases two new battery-powered chainsaws, Date Visited: Jan. 29, 2021, Woodbusiness.ca, Date: Sep. 28, 2020, <https://www.woodbusiness.ca/husqvarna-releases-two-new-battery-powered-chainsaws/> (Year: 2020).\*

Makita 14 18-Volt X2 (36-Volt) LXT, Date Visited: Jan. 29, 2021, Homedepot.com, Date: Oct. 23, 2017, <https://www.homedepot.com/p/Makita-14-in-18-Volt-X2-36-Volt-LXT-Lithium-Ion-Brushless-Cordless-Chain-Saw-Kit-with-Four-5-0-Ah-Batteries-and-Charger-XCU03PT1/303408210> (Year: 2017).\*

\* cited by examiner

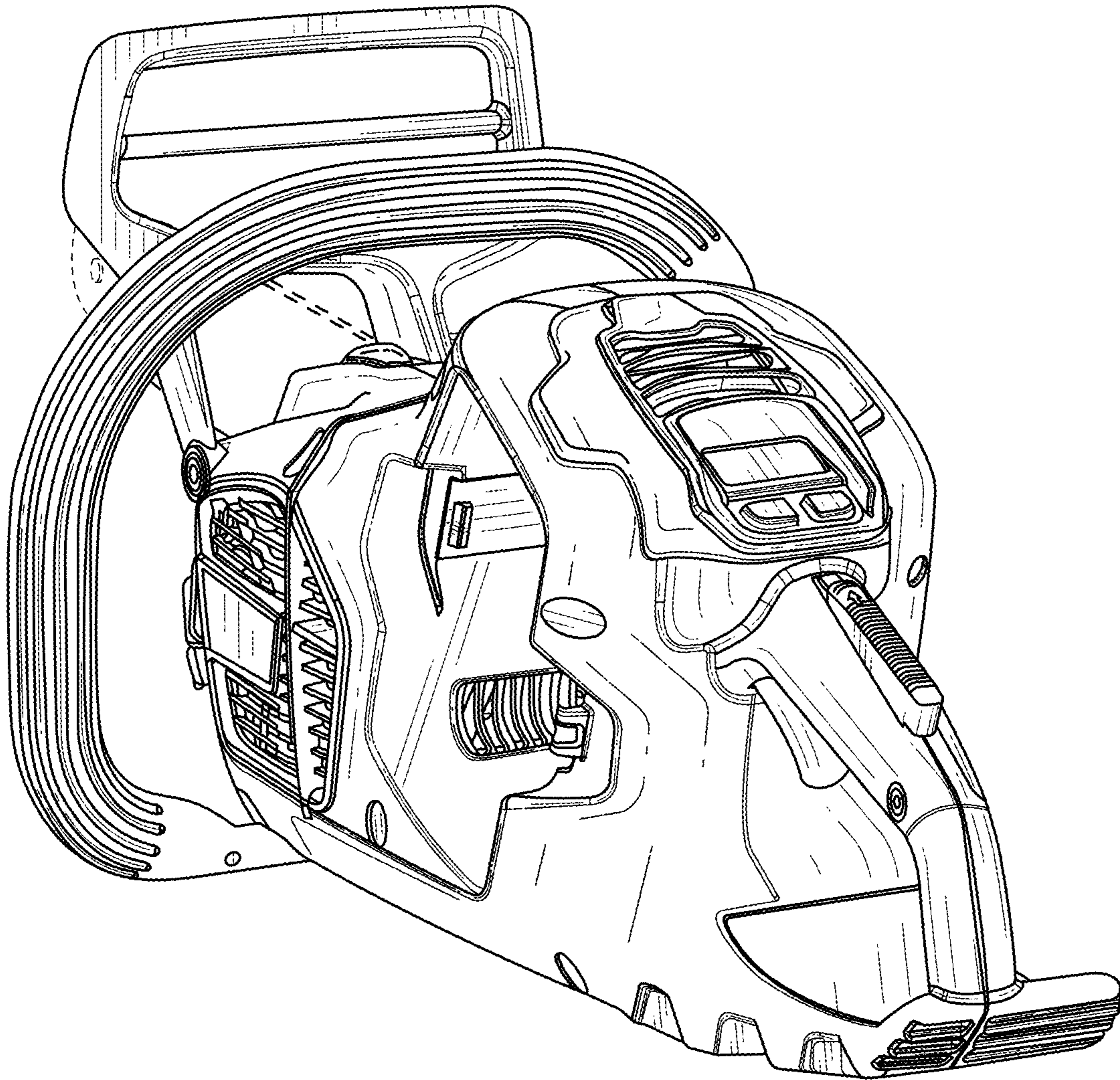


FIG. 1

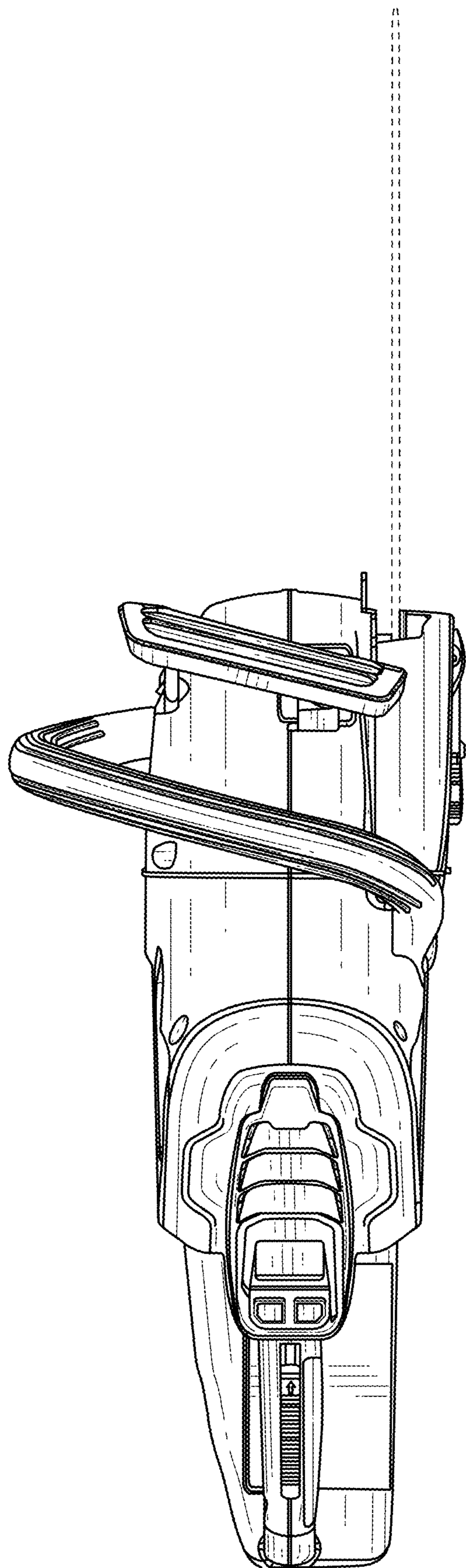


FIG. 2

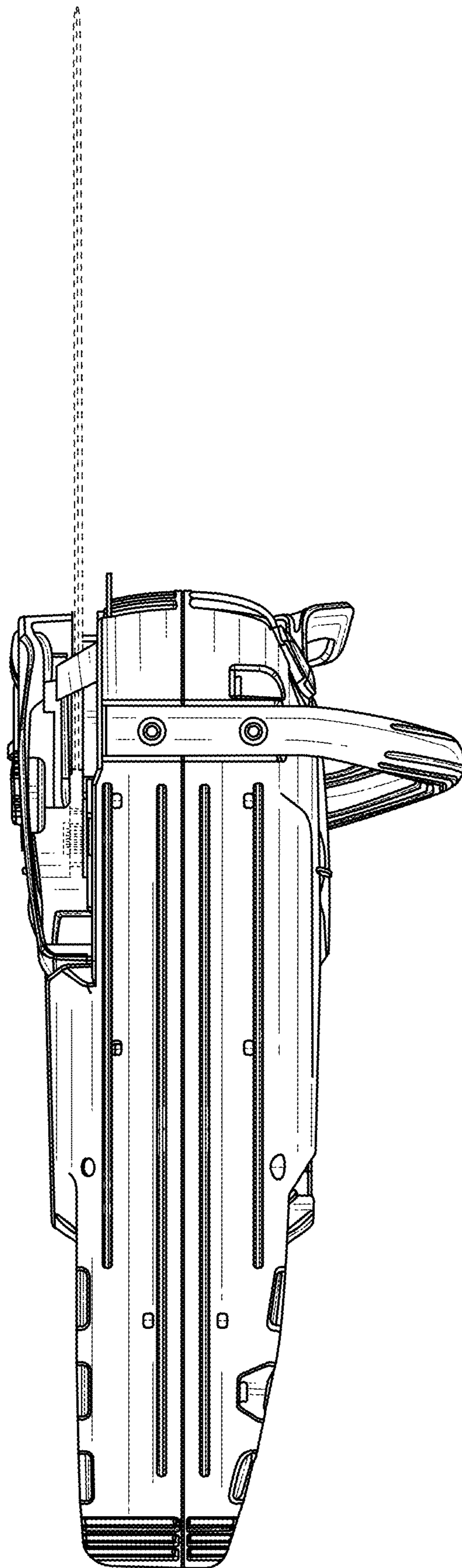


FIG. 3

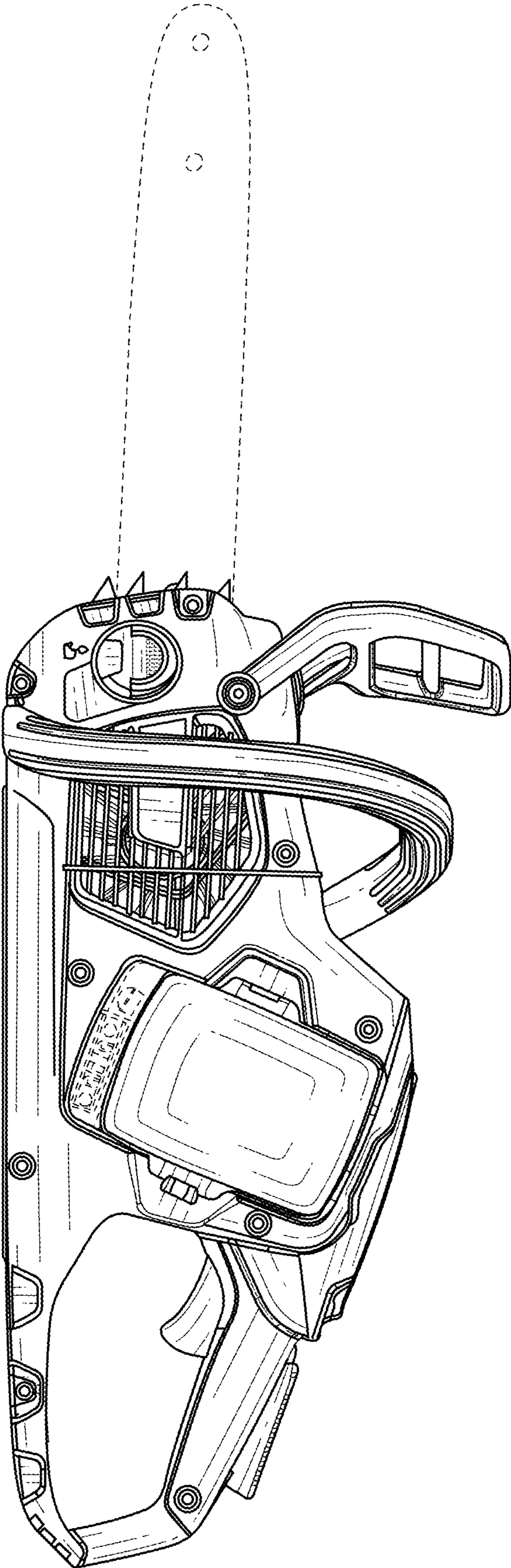


FIG. 4

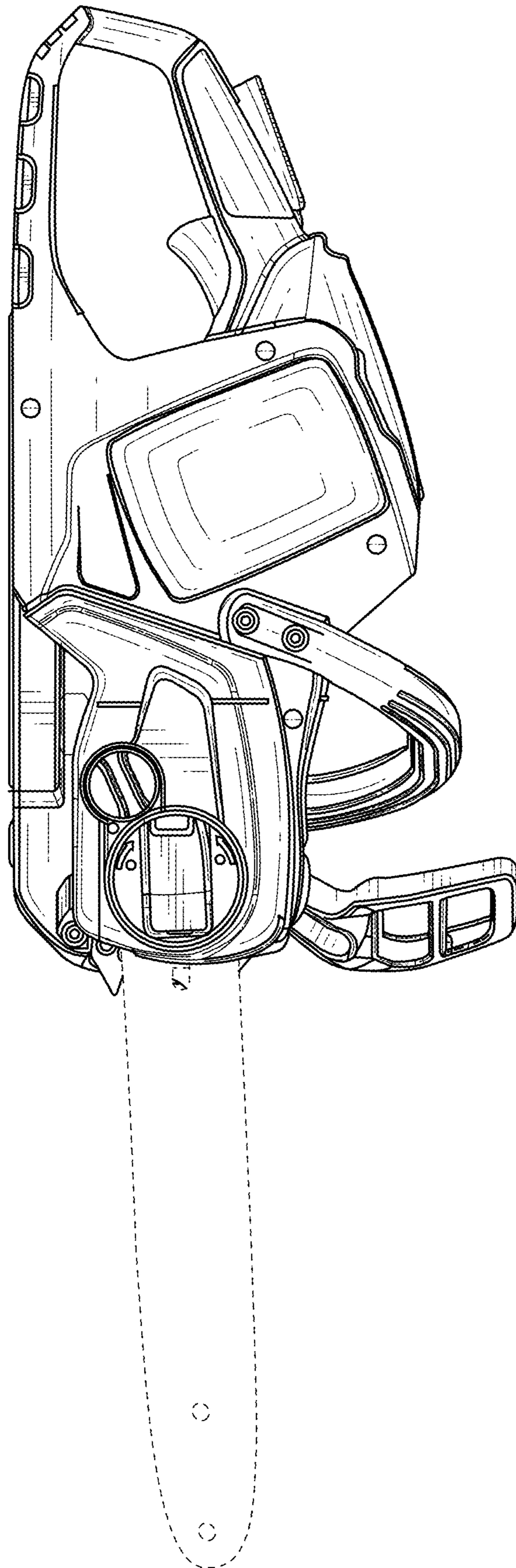


FIG. 5

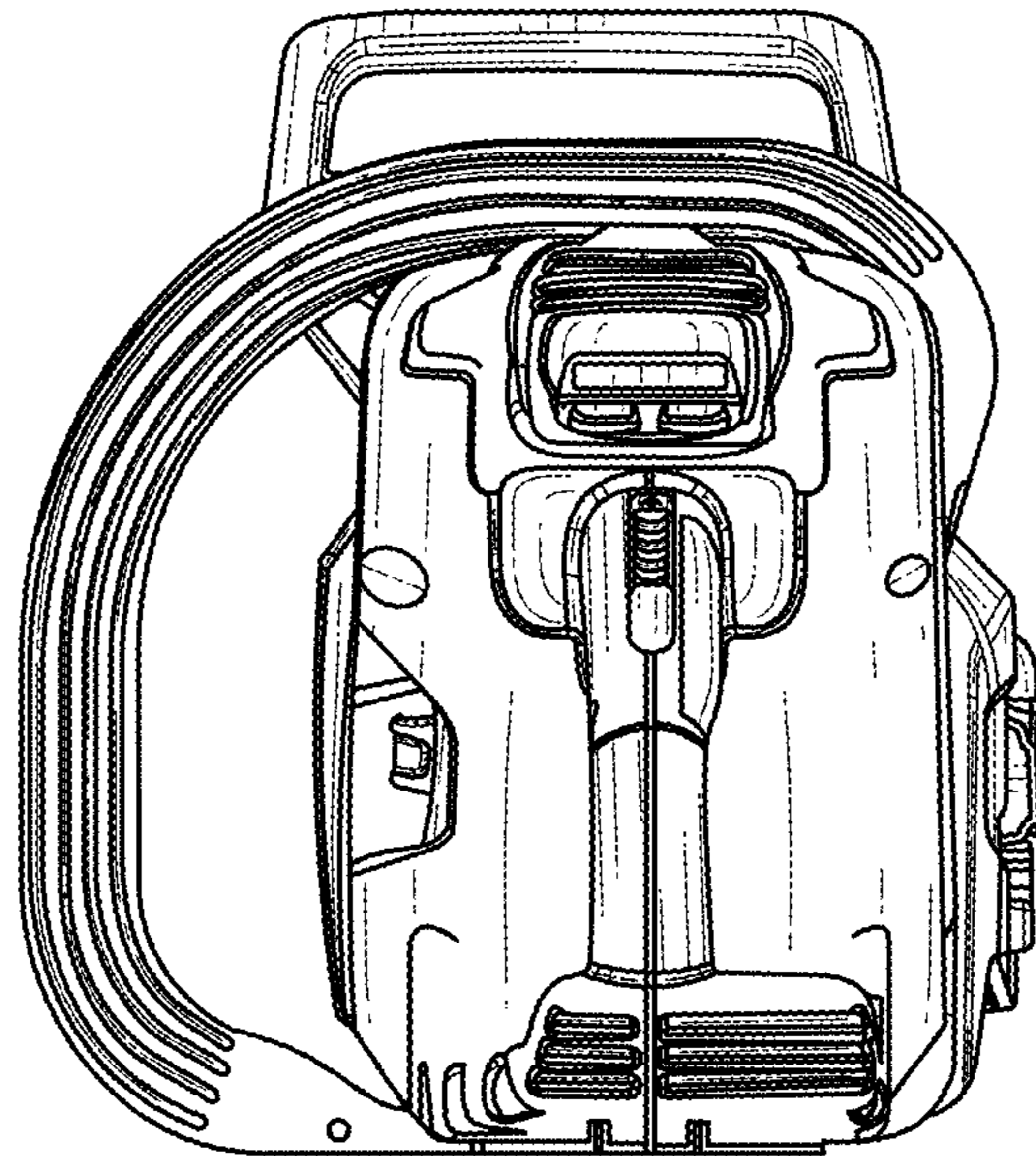


FIG. 6



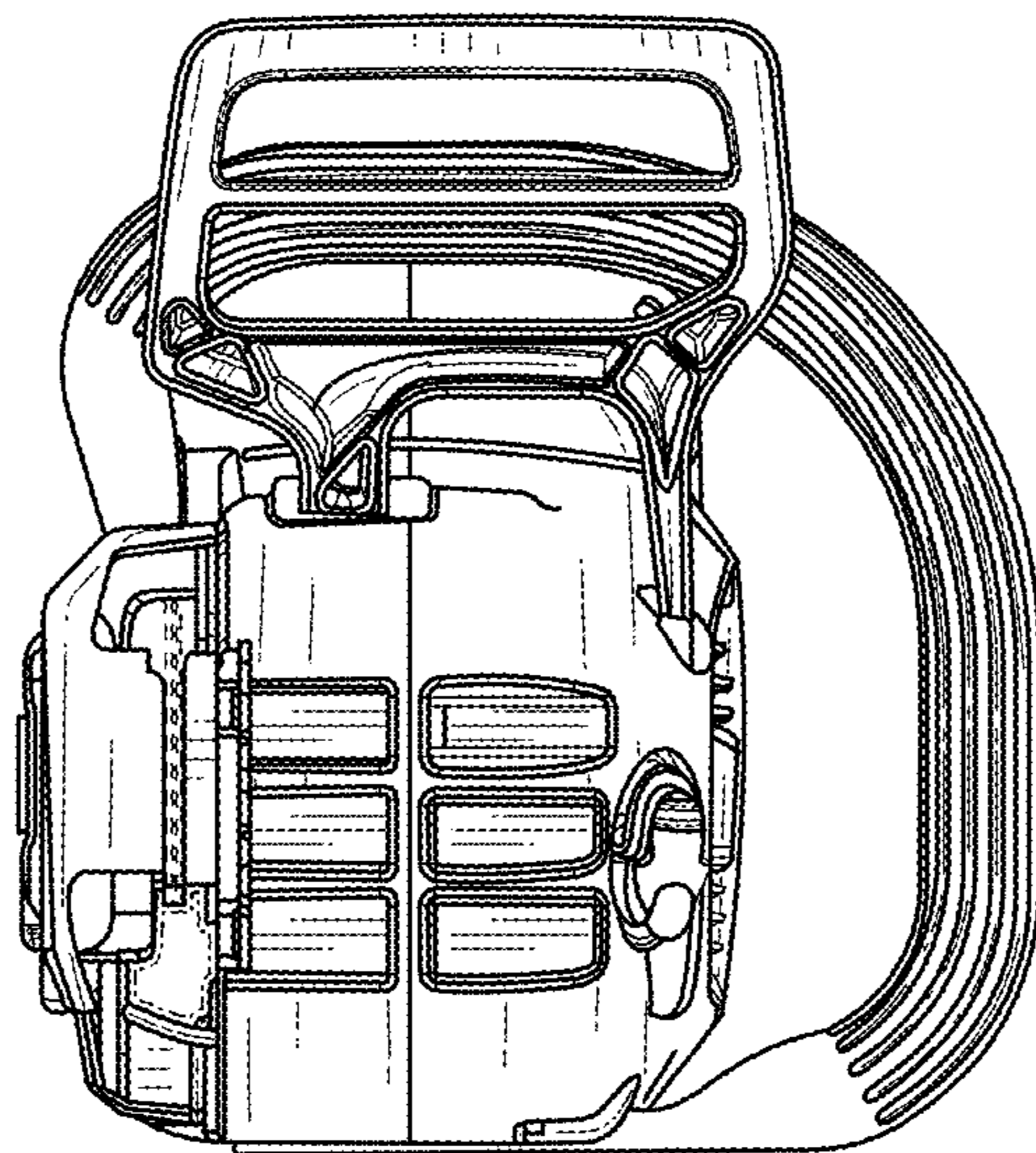


FIG. 7