



US00D939911S

(12) **United States Design Patent**
Sugihara et al.

(10) **Patent No.:** **US D939,911 S**
(45) **Date of Patent:** **** Jan. 4, 2022**

(54) **STAPLE REFILL**
(71) Applicant: **MAX CO., LTD.**, Tokyo (JP)
(72) Inventors: **Shinpei Sugihara**, Tokyo (JP); **Toshio Shimizu**, Tokyo (JP); **Futoshi Kameda**, Tokyo (JP)
(73) Assignee: **MAX CO., LTD.**, Tokyo (JP)
(**) Term: **15 Years**
(21) Appl. No.: **29/704,370**
(22) Filed: **Sep. 4, 2019**

(30) **Foreign Application Priority Data**
Mar. 4, 2019 (JP) 2019-004442
(51) **LOC (13) Cl.** **19-02**
(52) **U.S. Cl.**
USPC **D8/49**
(58) **Field of Classification Search**
USPC D8/49, 50, 61, 68, 69; D19/72, 73, 65, D19/69; D21/532; D24/145; 7/158, 7/160; 227/4, 5, 6, 7, 8, 120, 127, 128, 227/131, 132, 134, 144, 156, 119, 155, 227/82; 606/139, 143, 153, 219
See application file for complete search history.

(56) **References Cited**
U.S. PATENT DOCUMENTS
D320,272 S * 9/1991 Green D24/145
6,705,504 B1 * 3/2004 Kanai B27F 7/19
227/135
D512,289 S * 12/2005 Miwa D8/49

D512,889 S * 12/2005 Miwa D8/49
D593,824 S * 6/2009 Yagi D8/49
7,703,650 B2 * 4/2010 Haramiishi B27F 7/38
227/120
8,360,292 B2 * 1/2013 Haramiishi B25C 5/1637
227/120
D694,601 S * 12/2013 Kameda D8/49
9,687,996 B2 * 6/2017 Sugihara B27F 7/38
9,694,509 B2 * 7/2017 Sugihara B65H 37/04
D869,924 S * 12/2019 Sugihara D8/49
10,603,811 B2 * 3/2020 Shimizu G03G 15/6541
2008/0061102 A1 * 3/2008 Hakozaiki B27F 7/38
227/82

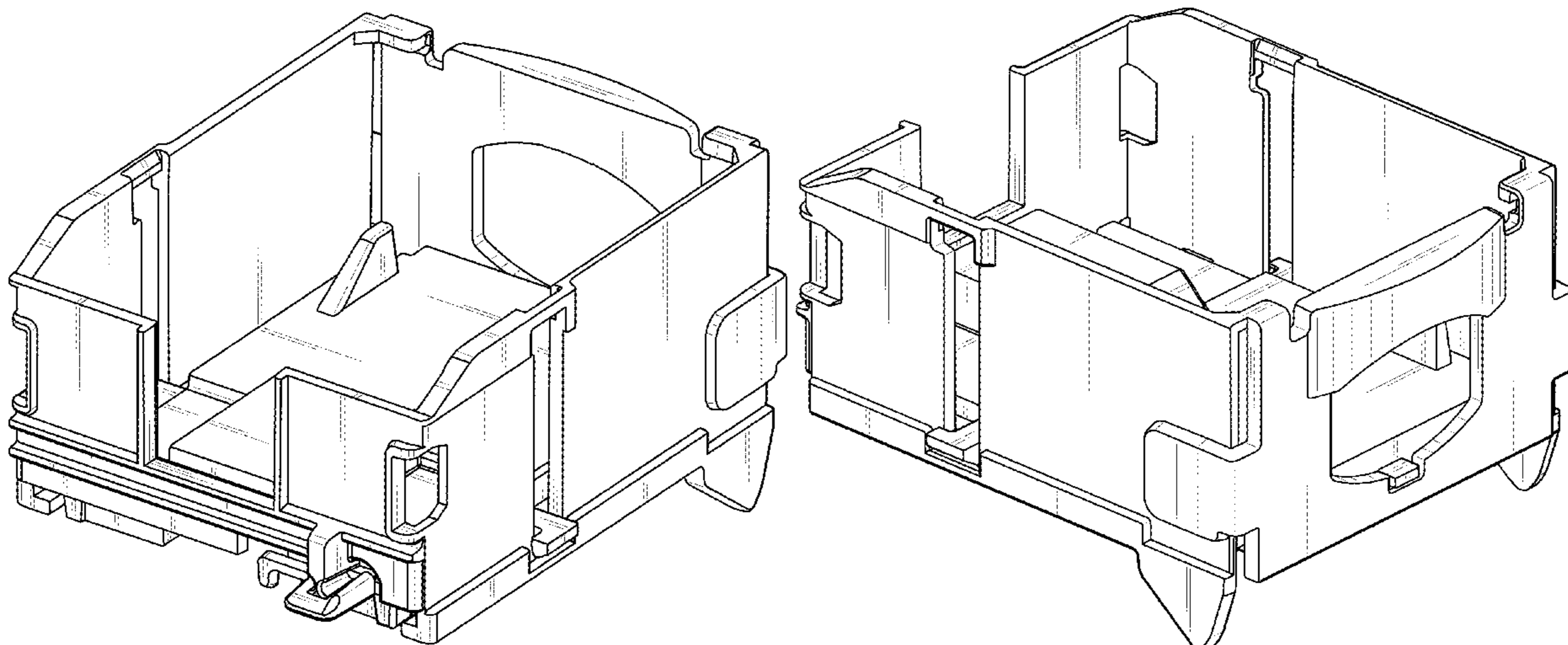
* cited by examiner

Primary Examiner — Austin Murphy
(74) *Attorney, Agent, or Firm* — Weihrouch IP

(57) **CLAIM**
The ornamental design for a staple refill, as shown and described.

DESCRIPTION
FIG. 1 is a perspective view of a staple refill showing my new design;
FIG. 2 is a perspective view thereof;
FIG. 3 is a front view thereof;
FIG. 4 is a rear view thereof;
FIG. 5 is a left side view thereof;
FIG. 6 is a right side view thereof;
FIG. 7 is a top view thereof; and,
FIG. 8 is a bottom view thereof.
The broken line showing of the staple refill is included for the purpose of illustrating portions of the staple refill and forms no part of the claimed design.

1 Claim, 8 Drawing Sheets



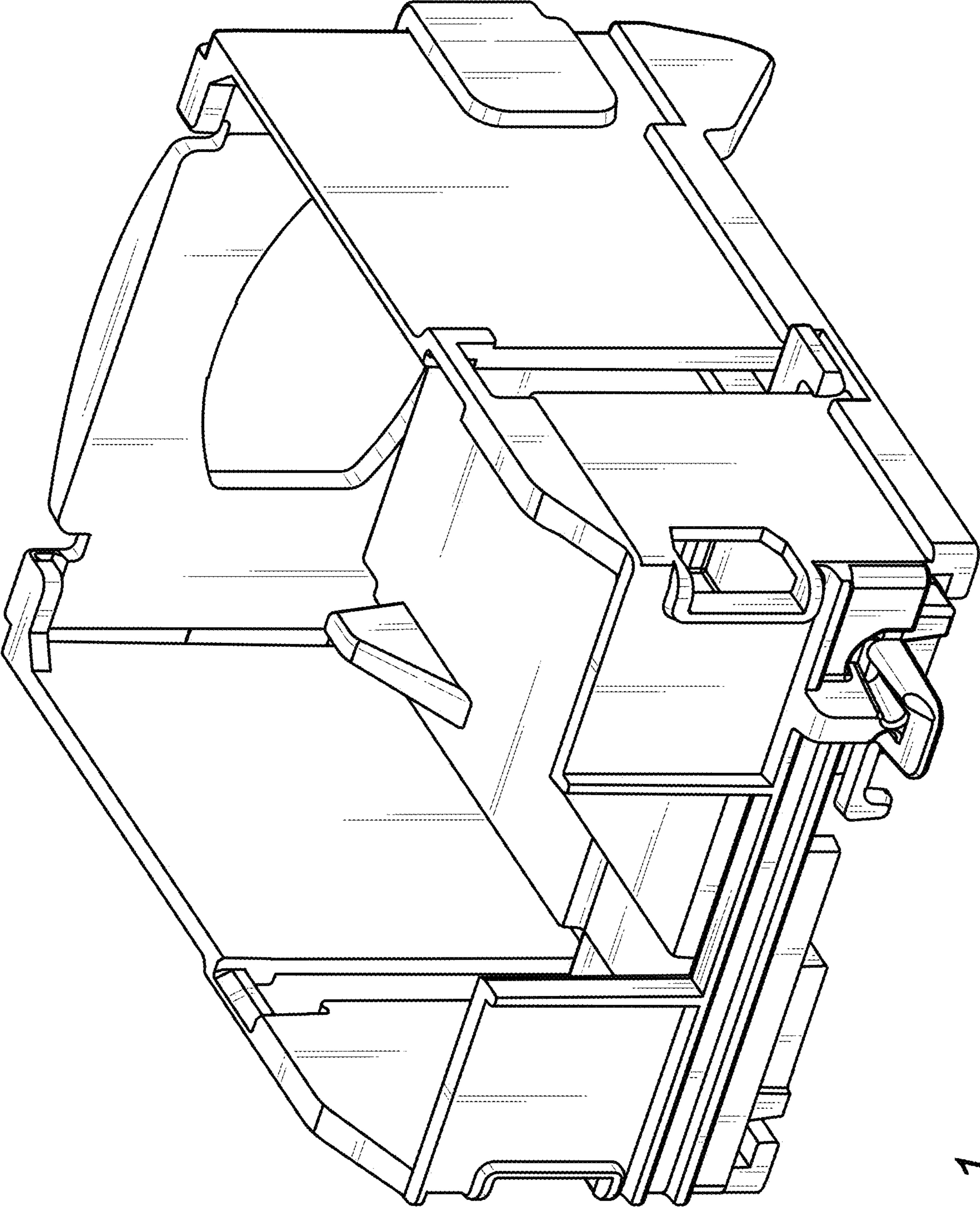


FIG. 1

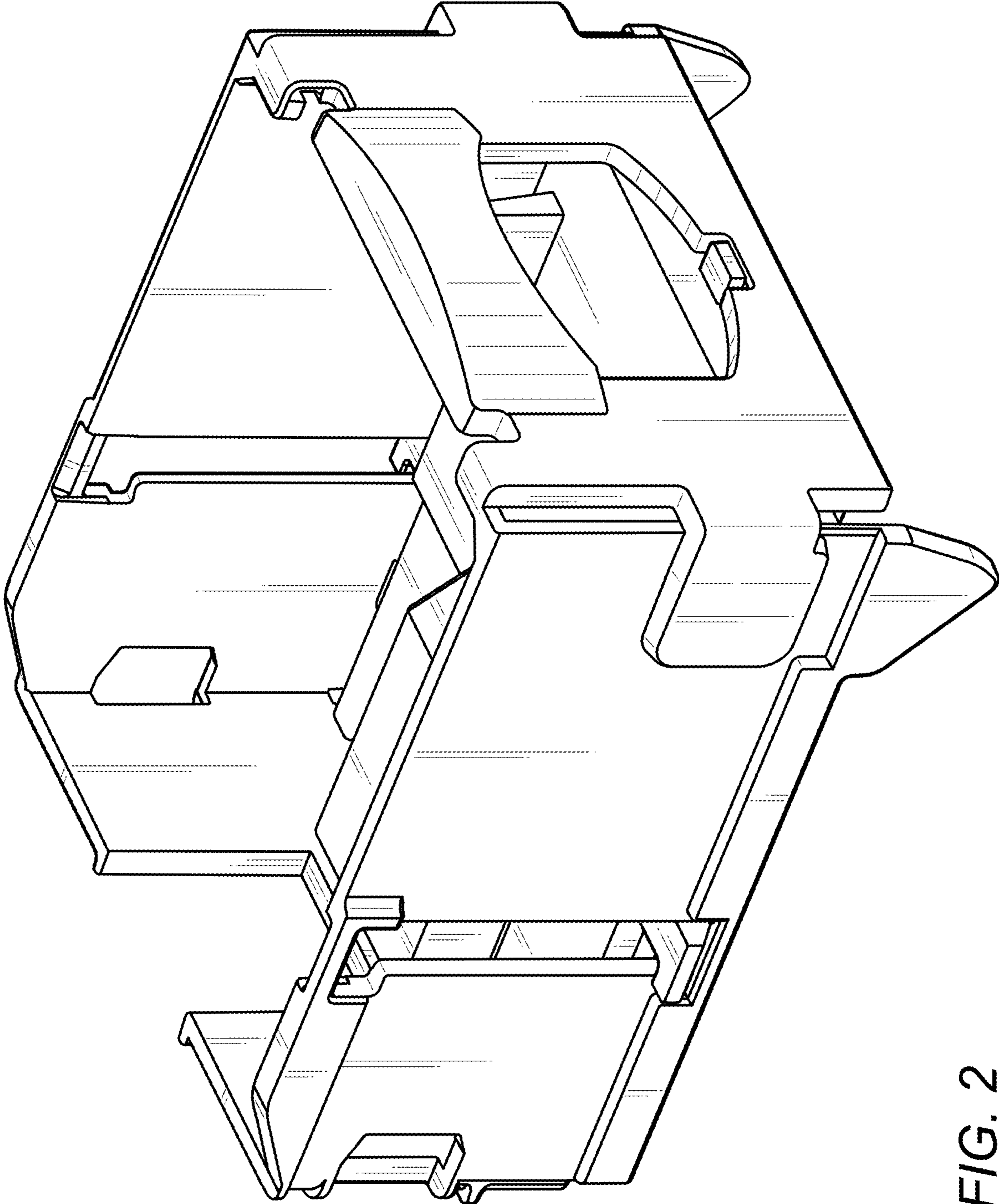


FIG. 2

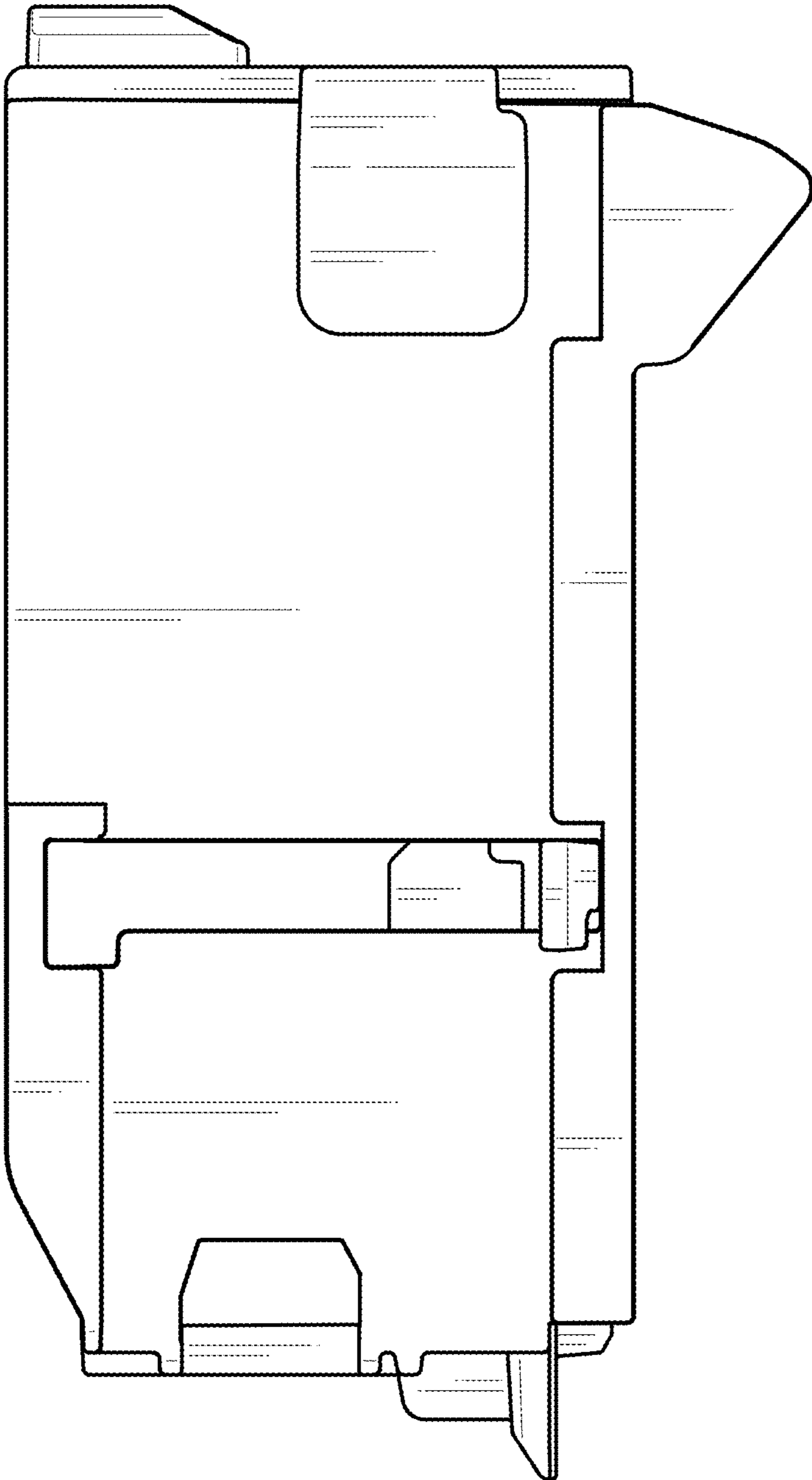


FIG. 3

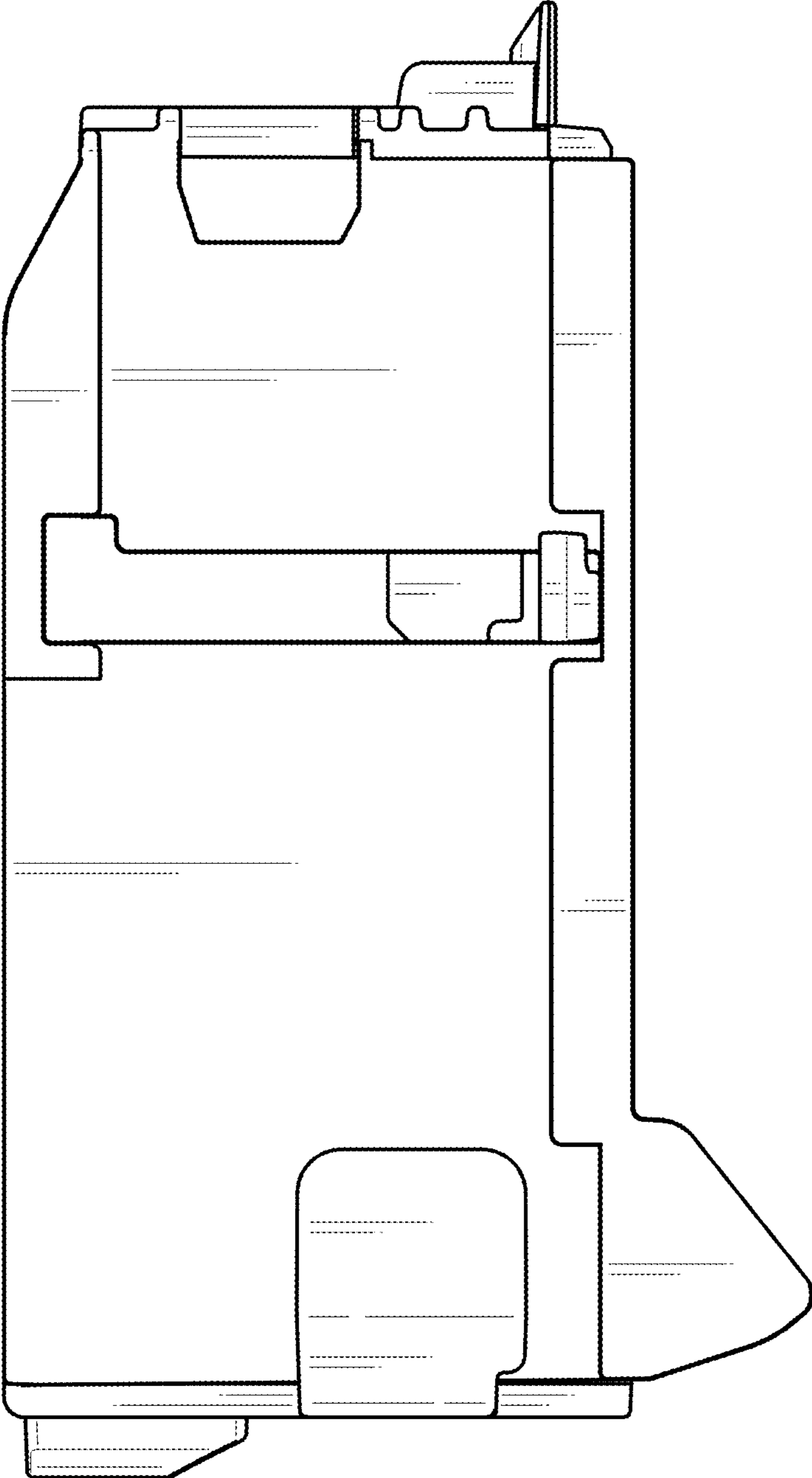


FIG. 4

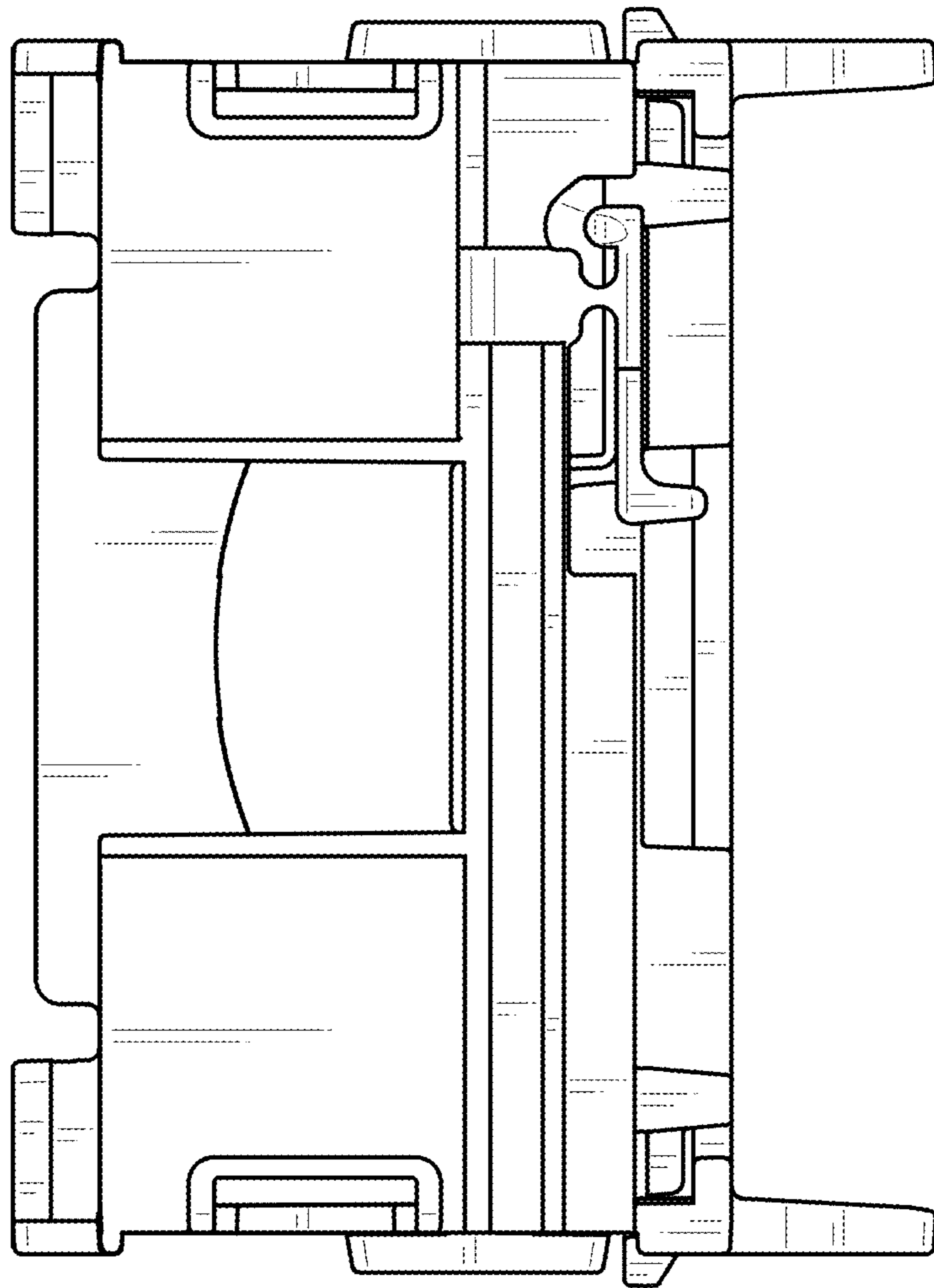


FIG. 5

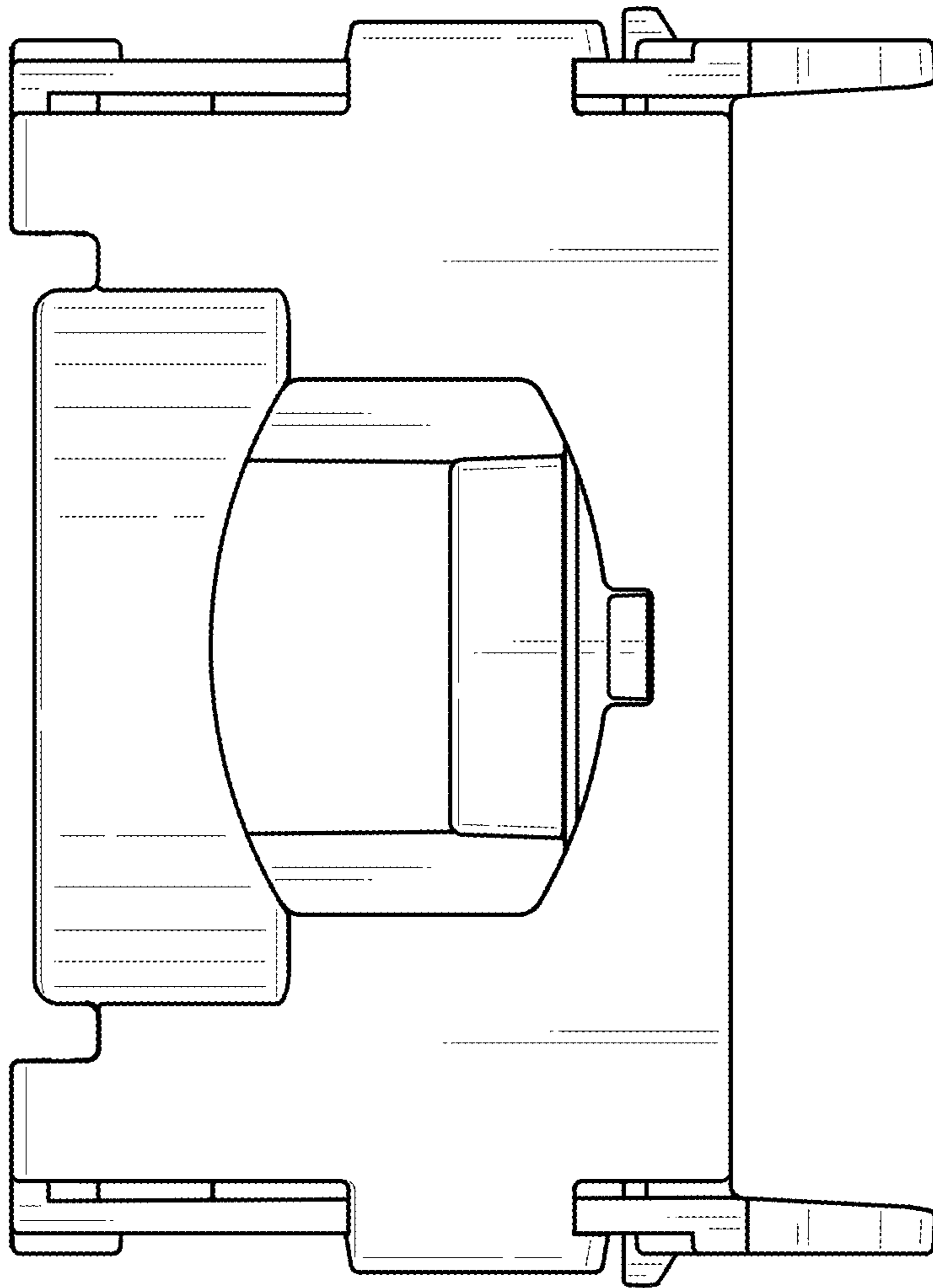


FIG. 6

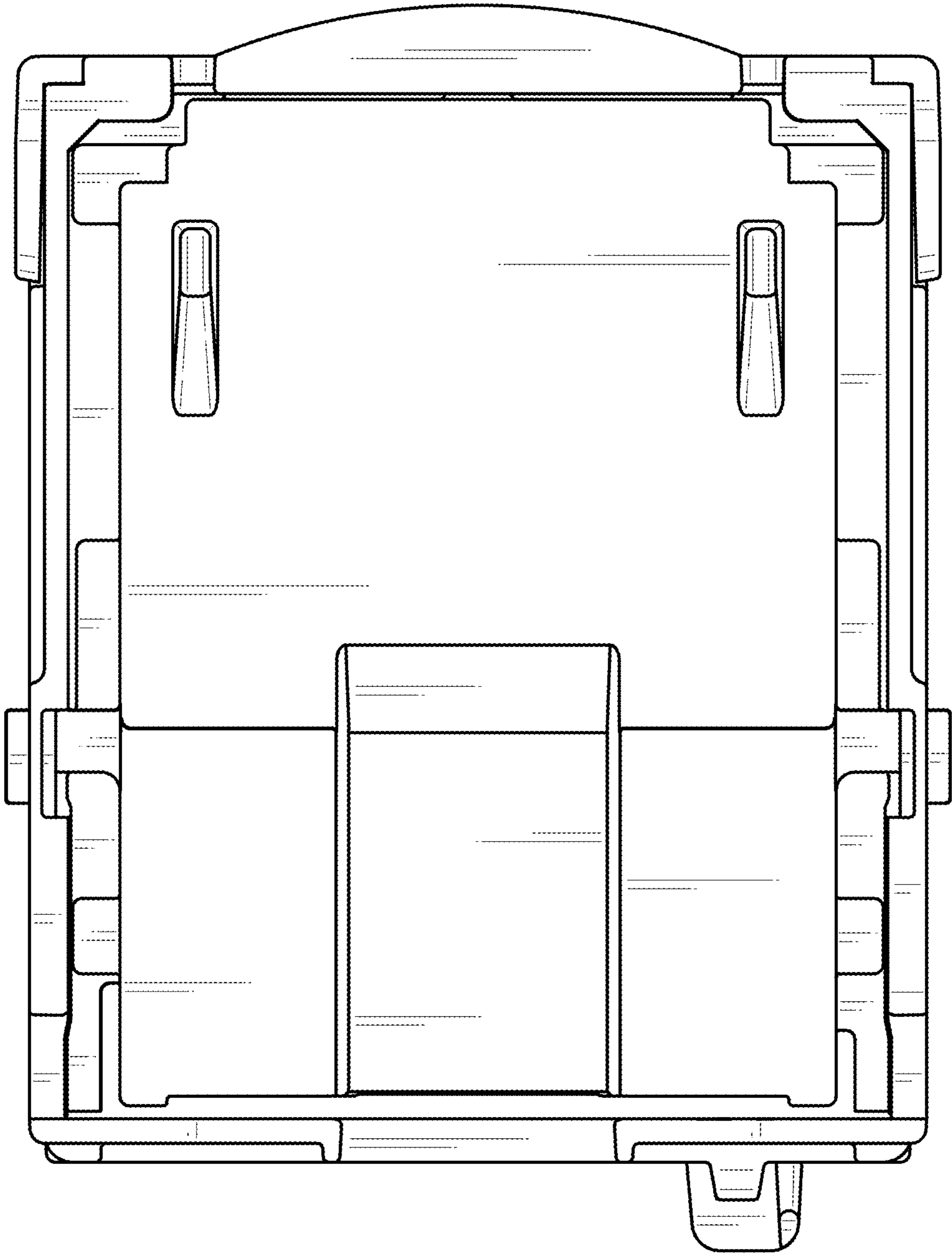


FIG. 7

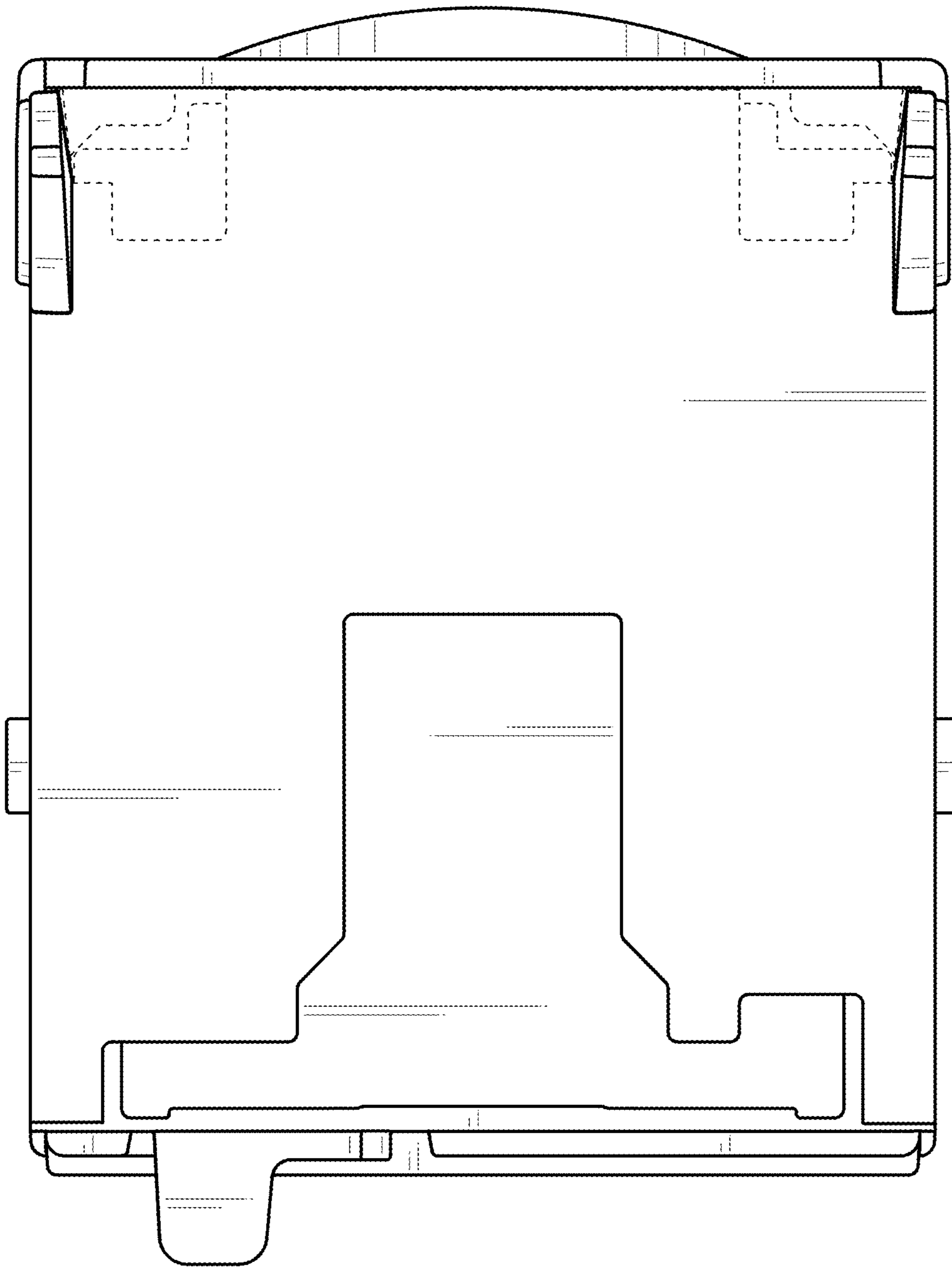


FIG. 8