



US00D939910S

(12) **United States Design Patent** (10) **Patent No.:** **US D939,910 S**
Hu (45) **Date of Patent:** **** Jan. 4, 2022**

(54) **RATCHET BUCKLE**
(71) Applicant: **ZHEJIANG JIASHENG TOOLS CO., LTD.**, Zhejiang (CN)
(72) Inventor: **Jianren Hu**, Zhejiang (CN)
(73) Assignee: **ZHEJIANG JIASHENG TOOLS CO., LTD.**, Zhejiang (CN)
(**) Term: **15 Years**

D642,031 S 7/2011 Pehar et al.
8,037,580 B2 10/2011 Huang
D661,562 S 6/2012 Stevens et al.
D675,498 S 2/2013 Stevens et al.
D681,411 S 5/2013 Qin et al.
D729,026 S 5/2015 Qin et al.
D805,377 S 12/2017 Breeden, III et al.
D821,172 S 6/2018 Romanak
D861,448 S 10/2019 Zhang
D876,915 S 3/2020 Romanak
D877,587 S 3/2020 Romanak
D894,701 S * 9/2020 Repic D8/44
D920,068 S * 5/2021 Zhang D8/51
2009/0279978 A1 11/2009 Polin, Jr. et al.
2009/0283729 A1 11/2009 Carlson et al.

(21) Appl. No.: **29/763,015**
(22) Filed: **Dec. 21, 2020**

Related U.S. Application Data

(63) Continuation-in-part of application No. 29/694,067, filed on Jun. 7, 2019, now abandoned.

Foreign Application Priority Data

May 20, 2019 (CN) 201930245620.5

(51) **LOC (13) Cl.** **08-05**
(52) **U.S. Cl.**
USPC **D8/44**

(58) **Field of Classification Search**
USPC D8/44, 14, 51, 107
CPC B25B 25/00; B21F 9/00; B60P 7/0823;
B60P 7/083; B60P 7/0846; Y10T 24/21;
Y10T 24/2117
See application file for complete search history.

References Cited

U.S. PATENT DOCUMENTS

D527,605 S * 9/2006 Jackson D8/107
D572,100 S 7/2008 Aganian
D579,741 S 11/2008 Selby
7,448,596 B1 11/2008 Chang
D639,626 S 6/2011 Gangakhedkar et al.

(Continued)
Primary Examiner — Philip S Hyder
(74) *Attorney, Agent, or Firm* — Hawaii Patent Services;
Nathaniel K. Fedde

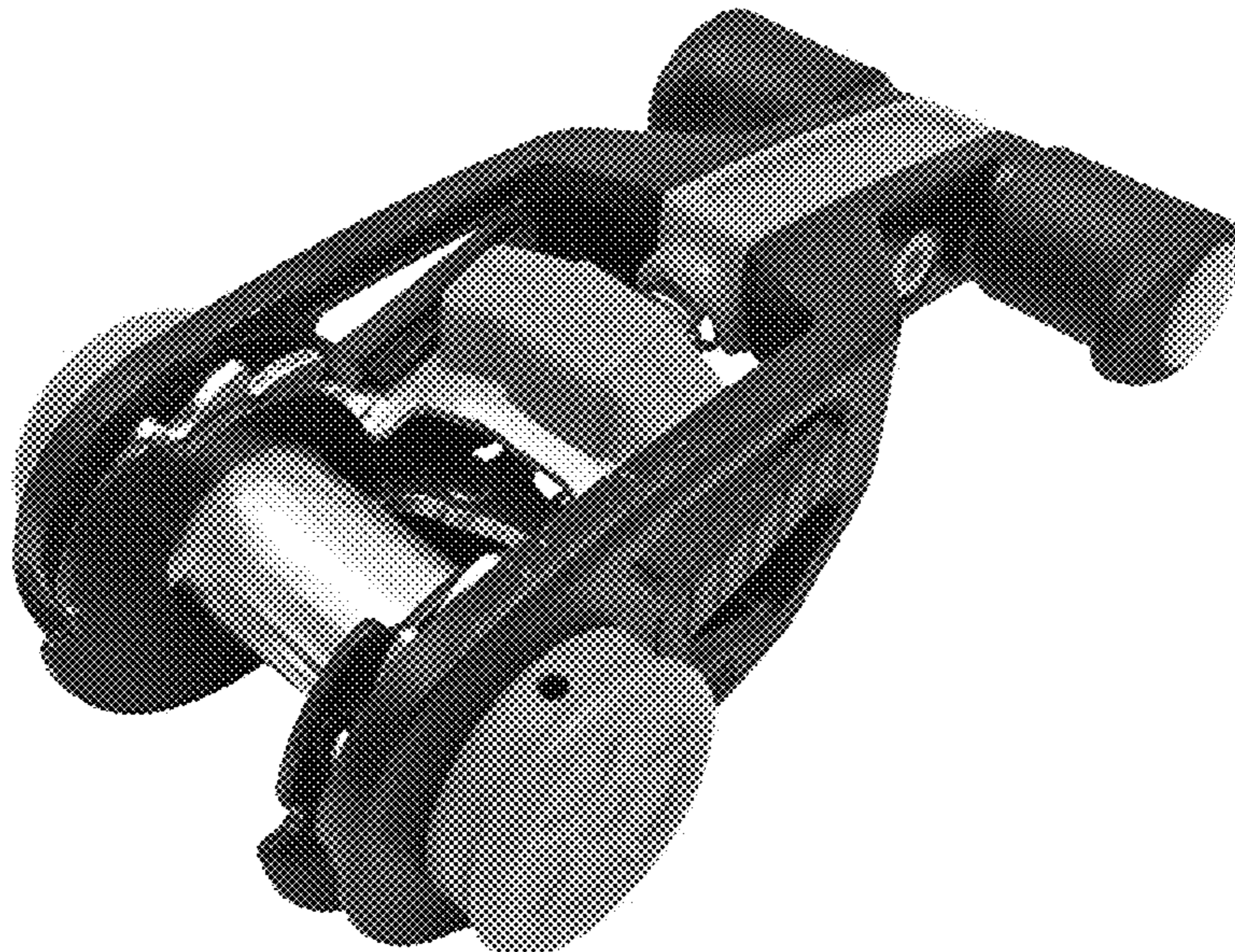
(57) **CLAIM**

The ornamental design for a ratchet buckle, as shown and described.

DESCRIPTION

The file of this patent contains at least one drawing/photograph executed in color. Copies of this patent with color drawing(s)/photograph(s) will be provided by the Office upon request and payment of the necessary fee.
FIG. 1 is a perspective view of a ratchet buckle;
FIG. 2 is another perspective view thereof;
FIG. 3 is another perspective view thereof;
FIG. 4 is a front elevational view thereof;
FIG. 5 is a rear elevational view thereof;
FIG. 6 is a left side elevational view thereof;
FIG. 7 is a right side elevational view thereof;
FIG. 8 is a top plan view thereof; and,
FIG. 9 is a bottom plan view showing the ratchet buckle.

1 Claim, 9 Drawing Sheets
(9 of 9 Drawing Sheet(s) Filed in Color)



(56)

References Cited

U.S. PATENT DOCUMENTS

2010/0322737 A1 12/2010 Huang
2012/0246895 A1* 10/2012 Lee B60P 7/083
24/68 E

* cited by examiner

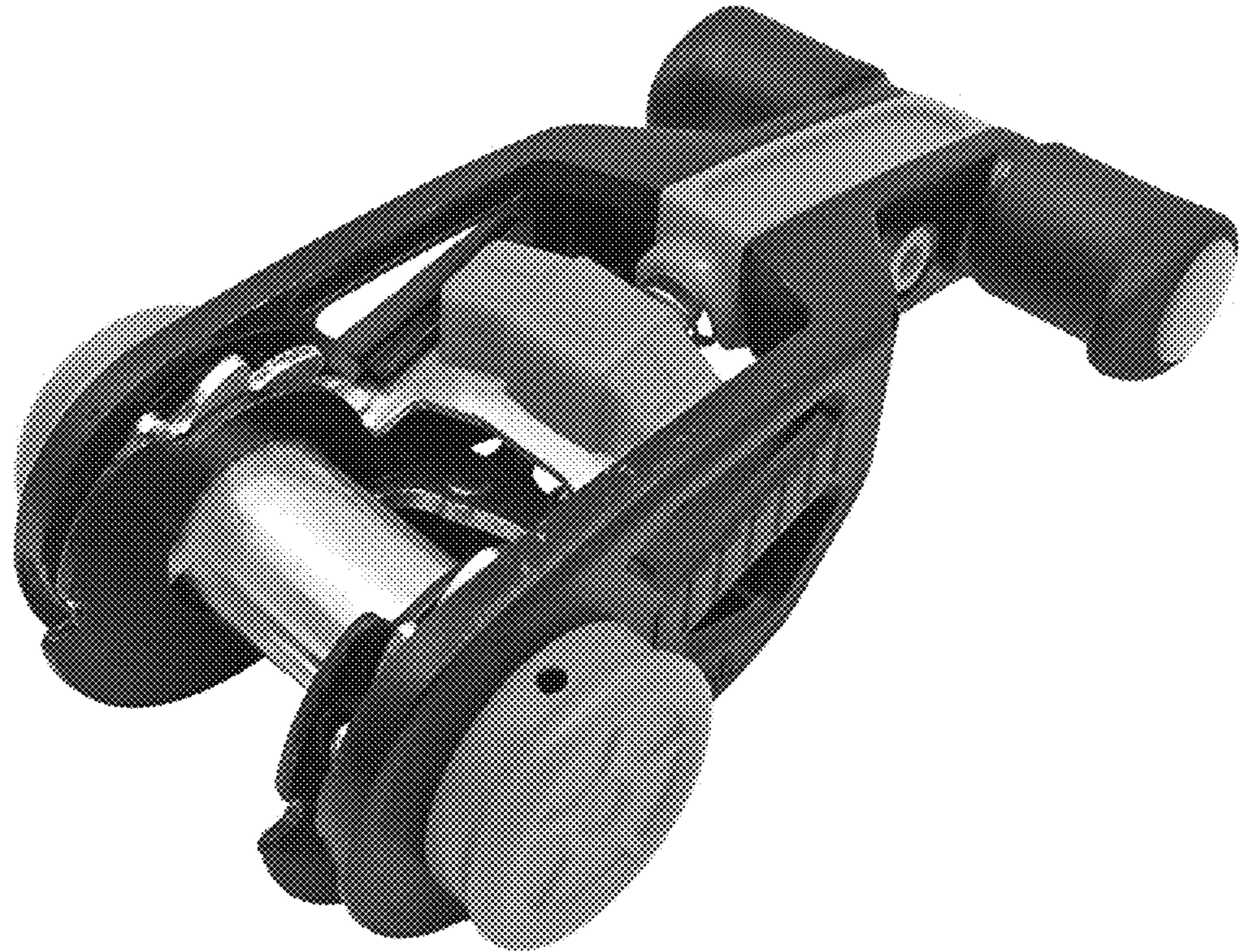


Figure 1



Figure 2



Figure 3

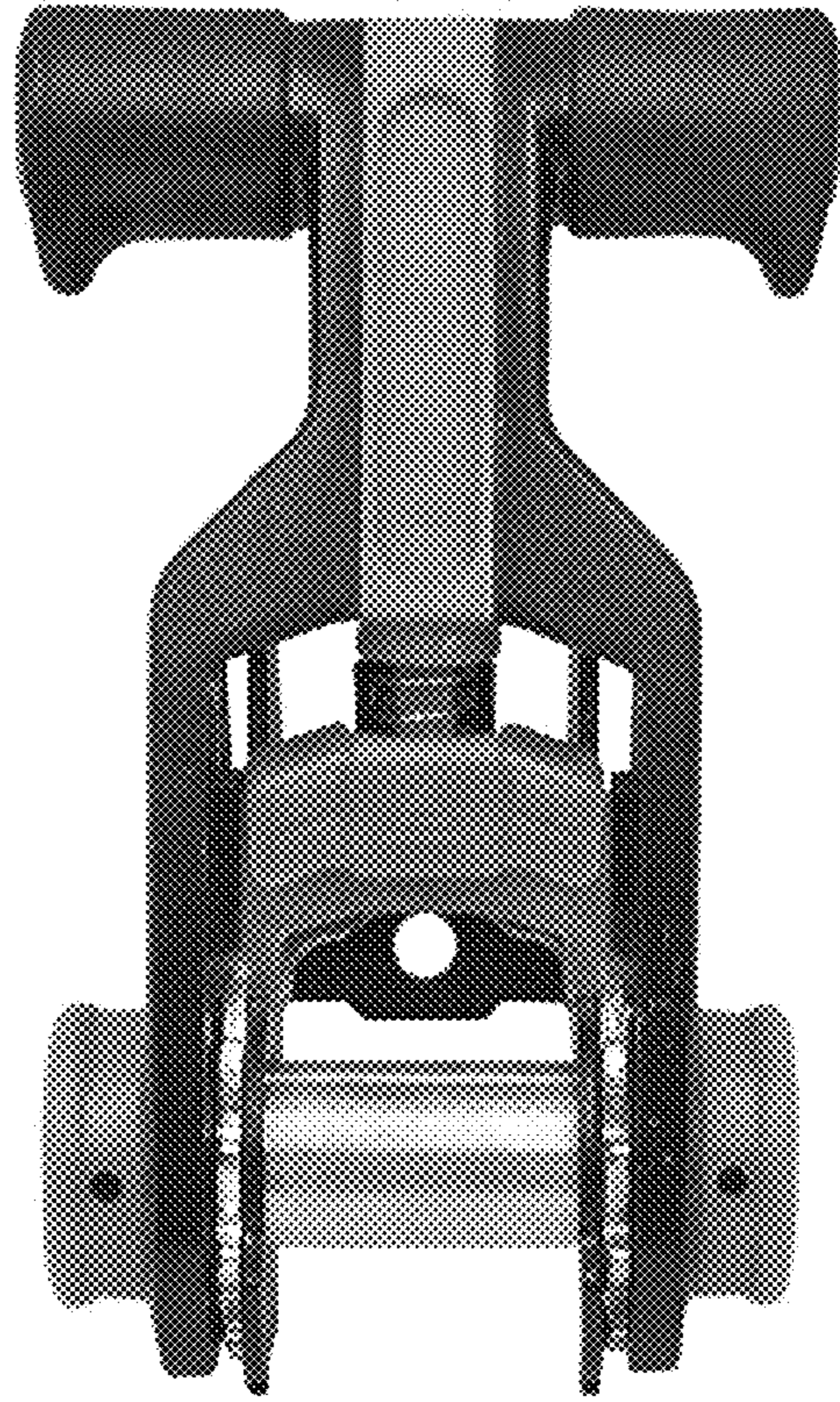


Figure 4

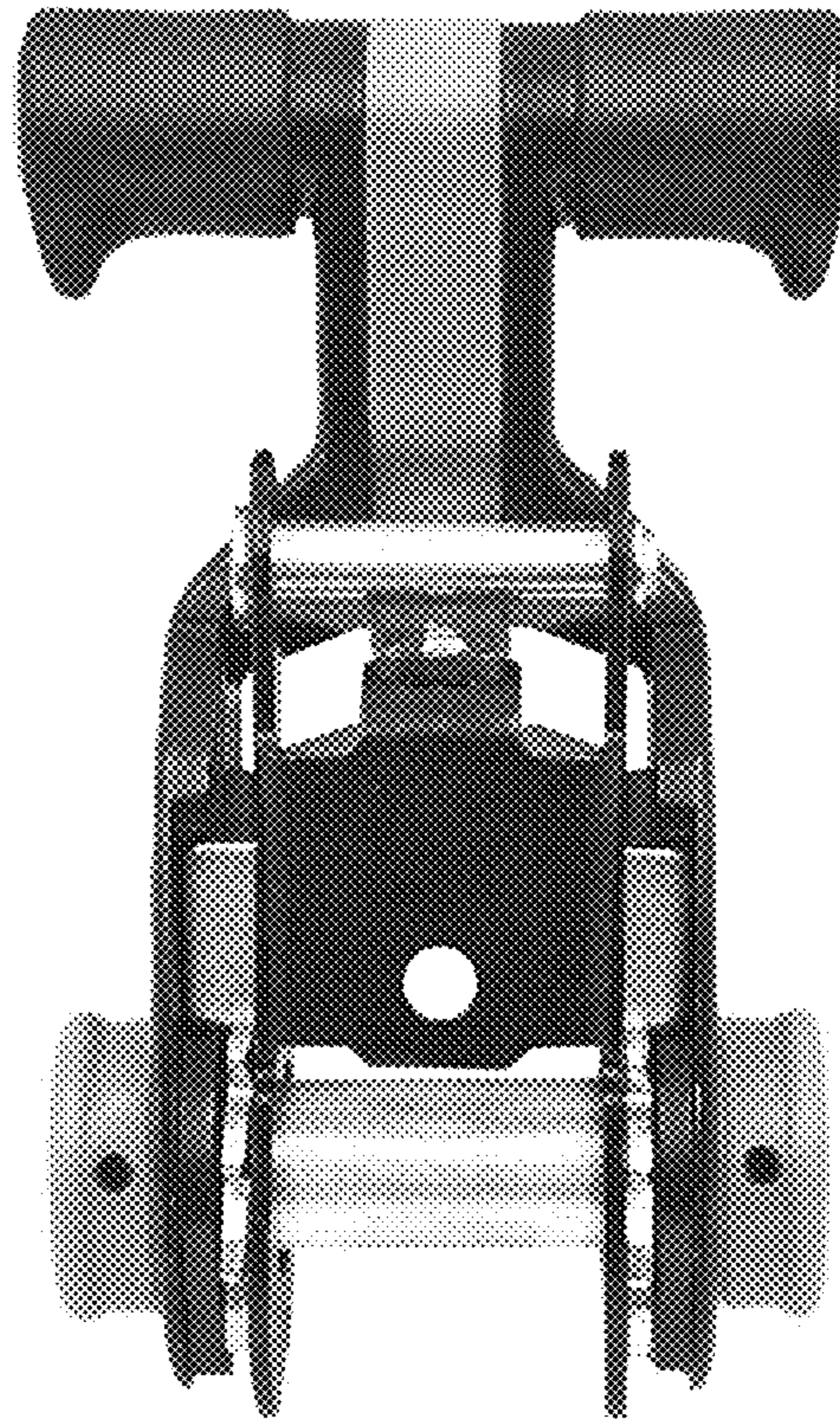


Figure 5

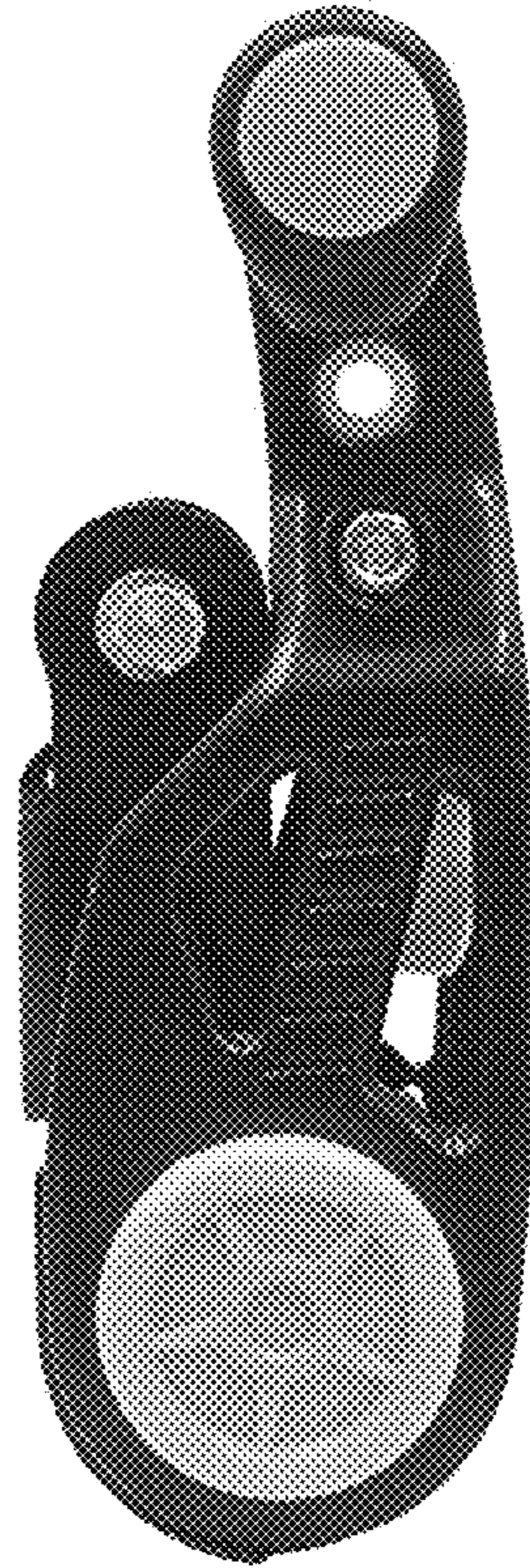


Figure 6

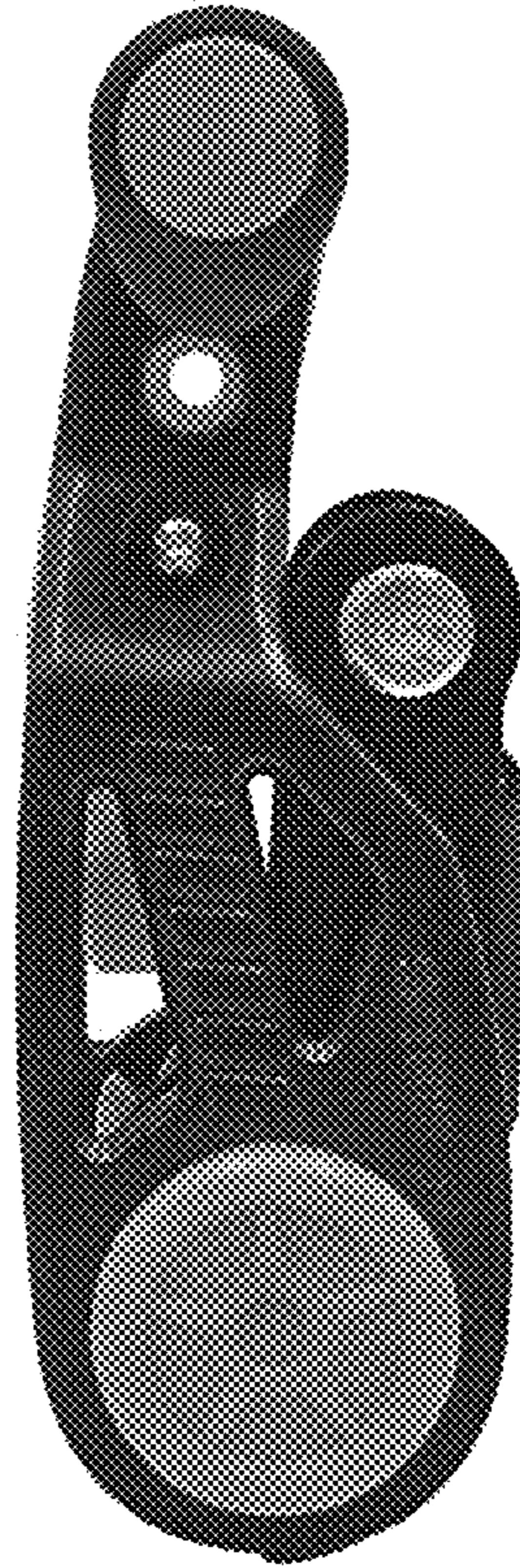


Figure 7

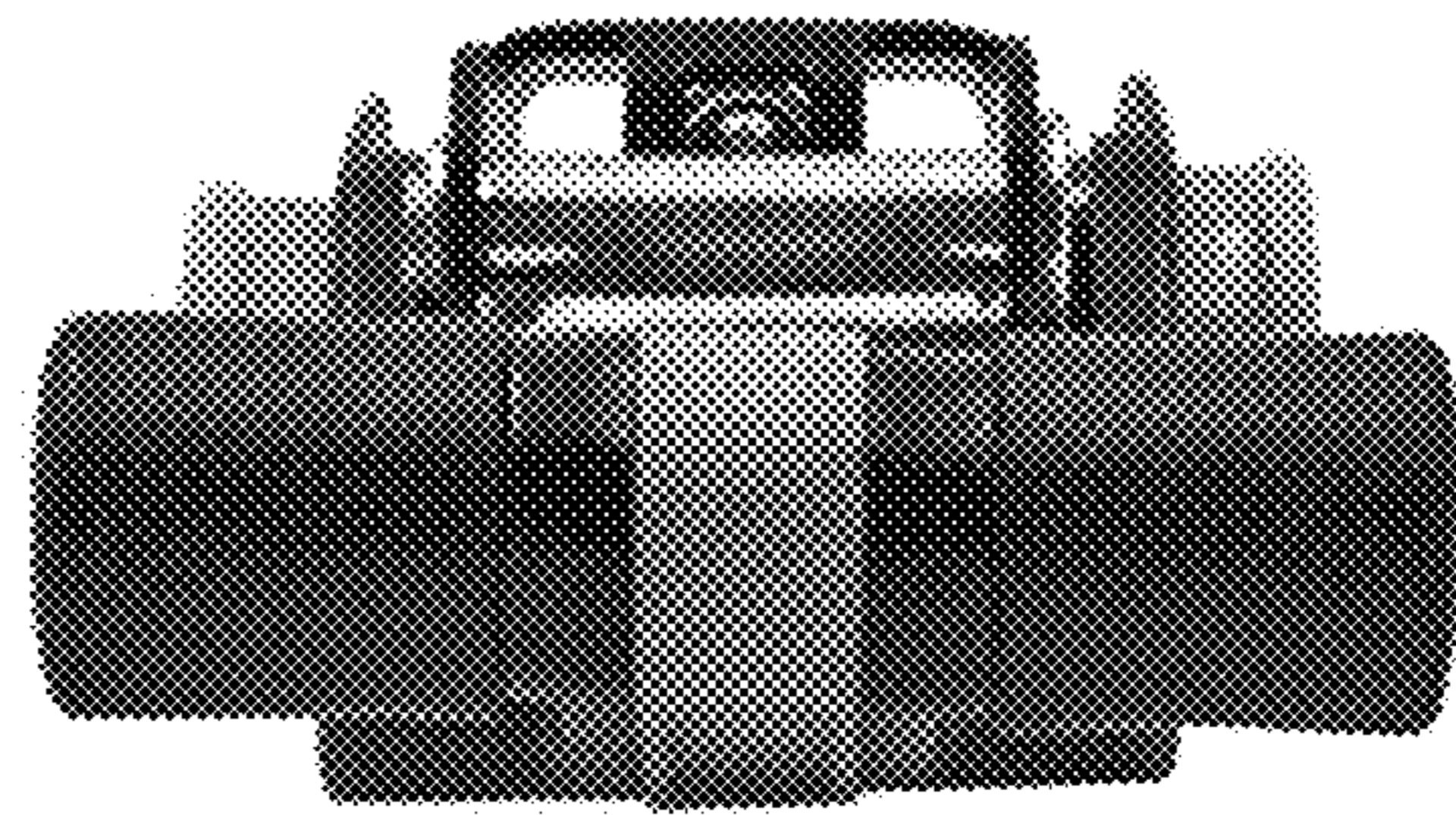


Figure 8

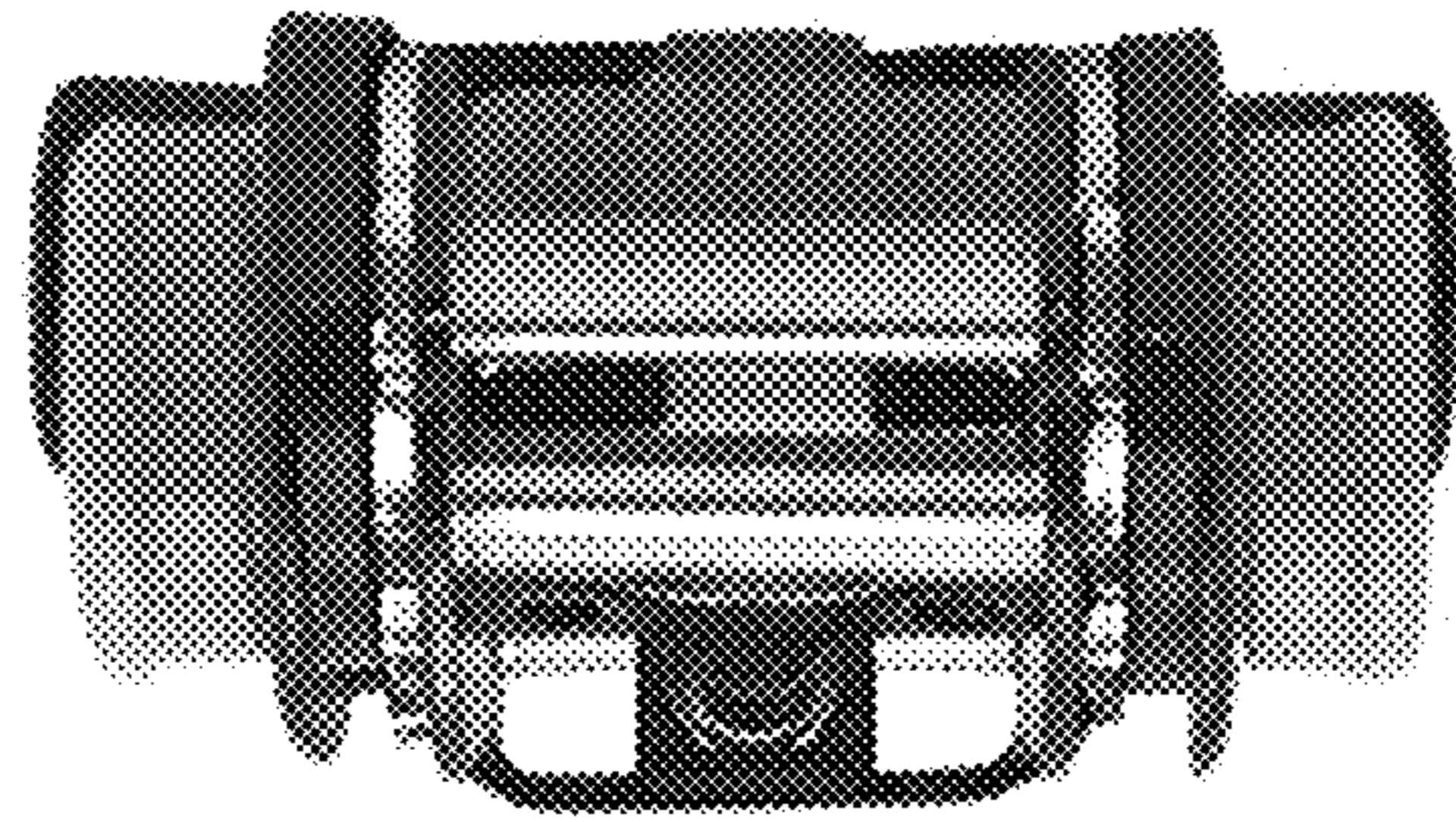


Figure 9