

US00D939909S

(12) **United States Design Patent** (10) **Patent No.:** **US D939,909 S**
Widmann (45) **Date of Patent:** **** *Jan. 4, 2022**

- (54) **BOTTLE OPENER** 3,581,605 A * 6/1971 Taylor B67B 7/24 81/3.49
- (71) Applicant: **Bruno Widmann**, Dekalb, IL (US) 3,583,263 A * 6/1971 Herigstad B67B 7/18 81/3.25
- (72) Inventor: **Bruno Widmann**, Dekalb, IL (US) 3,600,982 A 8/1971 Tholen
- (*) Notice: This patent is subject to a terminal disclaimer. D249,116 S 8/1978 Vanderbloemen
- (**) Term: **15 Years** D254,475 S 3/1980 Stover
- D258,412 S * 3/1981 Molnar D8/21
- D273,555 S 4/1984 Tanner
- 4,474,087 A 10/1984 Widman

- (21) Appl. No.: **29/737,732**
- (22) Filed: **Jun. 11, 2020**

Related U.S. Application Data

- (63) Continuation-in-part of application No. 16/024,742, filed on Jun. 30, 2018, now abandoned.
- (51) **LOC (13) Cl.** **07-99**
- (52) **U.S. Cl.** **D8/40**
- (58) **Field of Classification Search**
- USPC ... D8/18, 33, 34, 35, 36, 37, 38, 39, 40, 41, D8/42, 43
- CPC B67B 7/02; B67B 7/12; B67B 7/14; B67B 7/16; B67B 7/18; B67B 7/20; B67B 7/44
- See application file for complete search history.

(56) **References Cited**

U.S. PATENT DOCUMENTS

758,235 A	4/1904	Cady	
959,220 A	5/1910	Hoefl	
2,041,391 A	5/1936	Bauch	
2,077,675 A	4/1937	Cross	
2,104,978 A	1/1938	Evans	
2,430,651 A	11/1947	Shanahan	
2,455,496 A	12/1948	Kaskouras	
2,985,044 A *	5/1961	Gill	B67B 7/18 81/3.4
3,185,332 A	5/1965	Greenstein	
3,542,231 A	11/1970	Wettermann	

Primary Examiner — Elizabeth A. Albert
(74) *Attorney, Agent, or Firm* — Incubate IP; Randy R. Micheletti

(57) **CLAIM**

The ornamental design of a bottle opener, substantially as shown and described.

DESCRIPTION

FIG. 1 is a bottom perspective view of a bottle opener of a first embodiment of the present disclosure showing my new design.

FIG. 2 is a left side view thereof.

FIG. 3 is a right side view thereof.

FIG. 4 is a front view thereof.

FIG. 5 is rear view thereof.

FIG. 6 is a bottom view thereof.

FIG. 7 is a top view thereof.

FIG. 8 is a bottom perspective view of a bottle opener of a second embodiment thereof.

FIG. 9 is a left side view thereof.

FIG. 10 is a right side view thereof.

FIG. 11 is a front view thereof.

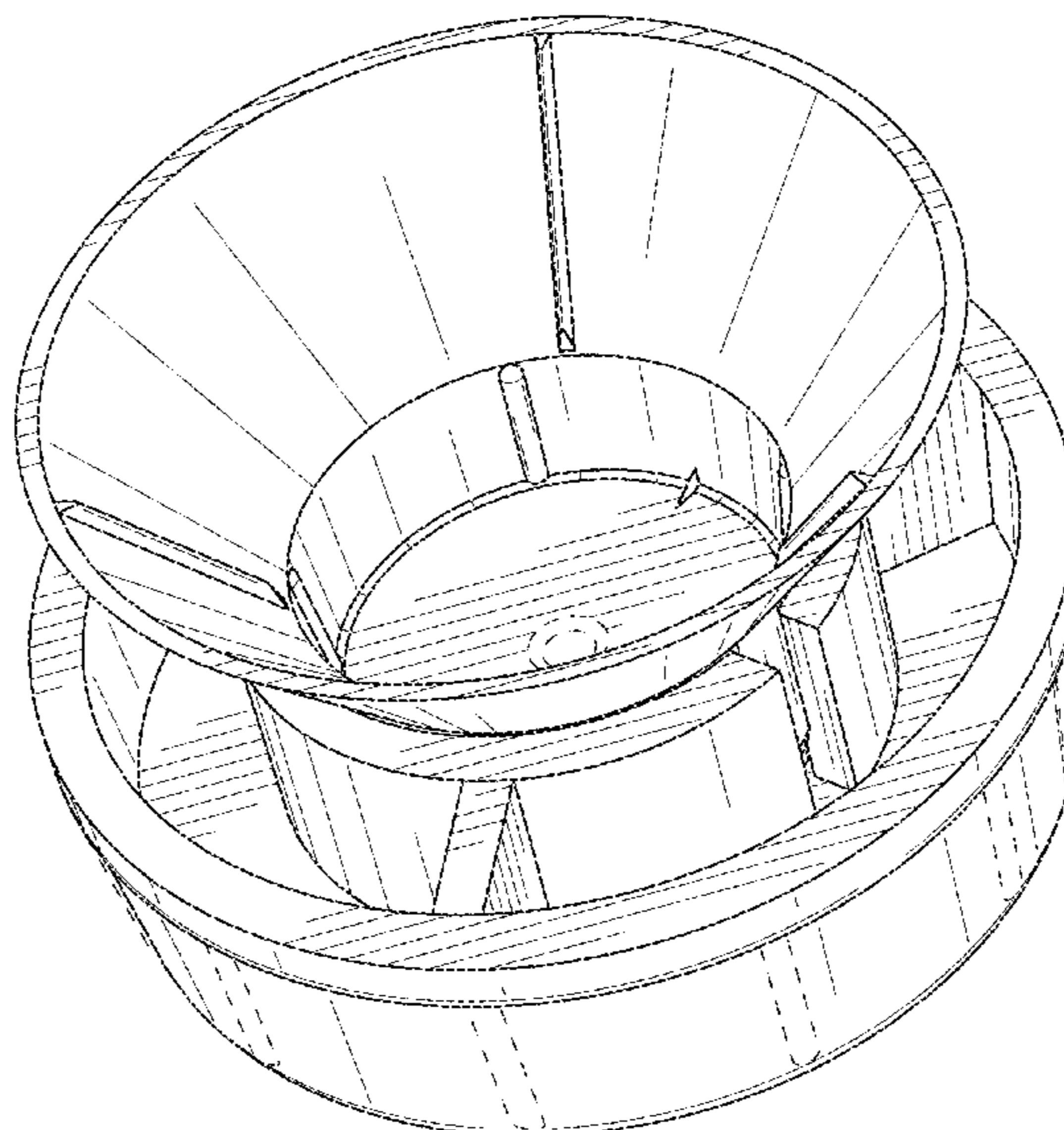
FIG. 12 is rear view thereof.

FIG. 13 is a bottom view thereof; and,

FIG. 14 is a top view thereof.

The features shown in broken lines in the drawings are for illustrating environmental structure and form no part of the claimed design.

1 Claim, 14 Drawing Sheets



(56)

References Cited

U.S. PATENT DOCUMENTS

D277,725	S	2/1985	Silkebakken	
4,549,451	A	10/1985	Widman	
D288,895	S	3/1987	Samoff	
4,726,264	A *	2/1988	Bost	B67B 7/02 81/3.09
D296,978	S	8/1988	Smith	
4,760,763	A *	8/1988	Trick	B67B 7/18 81/3.09
4,766,781	A *	8/1988	Grise	B67B 7/18 81/3.4
D367,413	S *	2/1996	Ballin	D10/46.2
5,517,881	A *	5/1996	Burns	B67B 7/18 53/317
D397,595	S *	9/1998	Dobson	D8/14
6,105,468	A	8/2000	Fohrman	
D436,008	S	1/2001	Klein	
6,182,534	B1	2/2001	Hardman	
D447,923	S	9/2001	Taylor	
D452,802	S *	1/2002	Peabody	D8/33
D473,437	S	4/2003	Klein	
7,134,362	B1 *	11/2006	March	B67B 7/18 81/3.4
8,720,714	B2	5/2014	Romero	
D795,063	S *	8/2017	Arriaga	D9/436
D828,131	S *	9/2018	Cerasale	8/40
D830,800	S *	10/2018	Roberts	8/40
D837,085	S	1/2019	Banman	
D859,948	S *	9/2019	Niles	8/33
D867,085	S *	11/2019	Widmann	8/34
D869,922	S	12/2019	Widmann	
D908,445	S *	1/2021	Stuart	7/619.1
D912,714	S *	3/2021	Moran	15/150
2008/0072709	A1	3/2008	Dye	
2020/0002146	A1 *	1/2020	Widmann	B67B 7/18

* cited by examiner

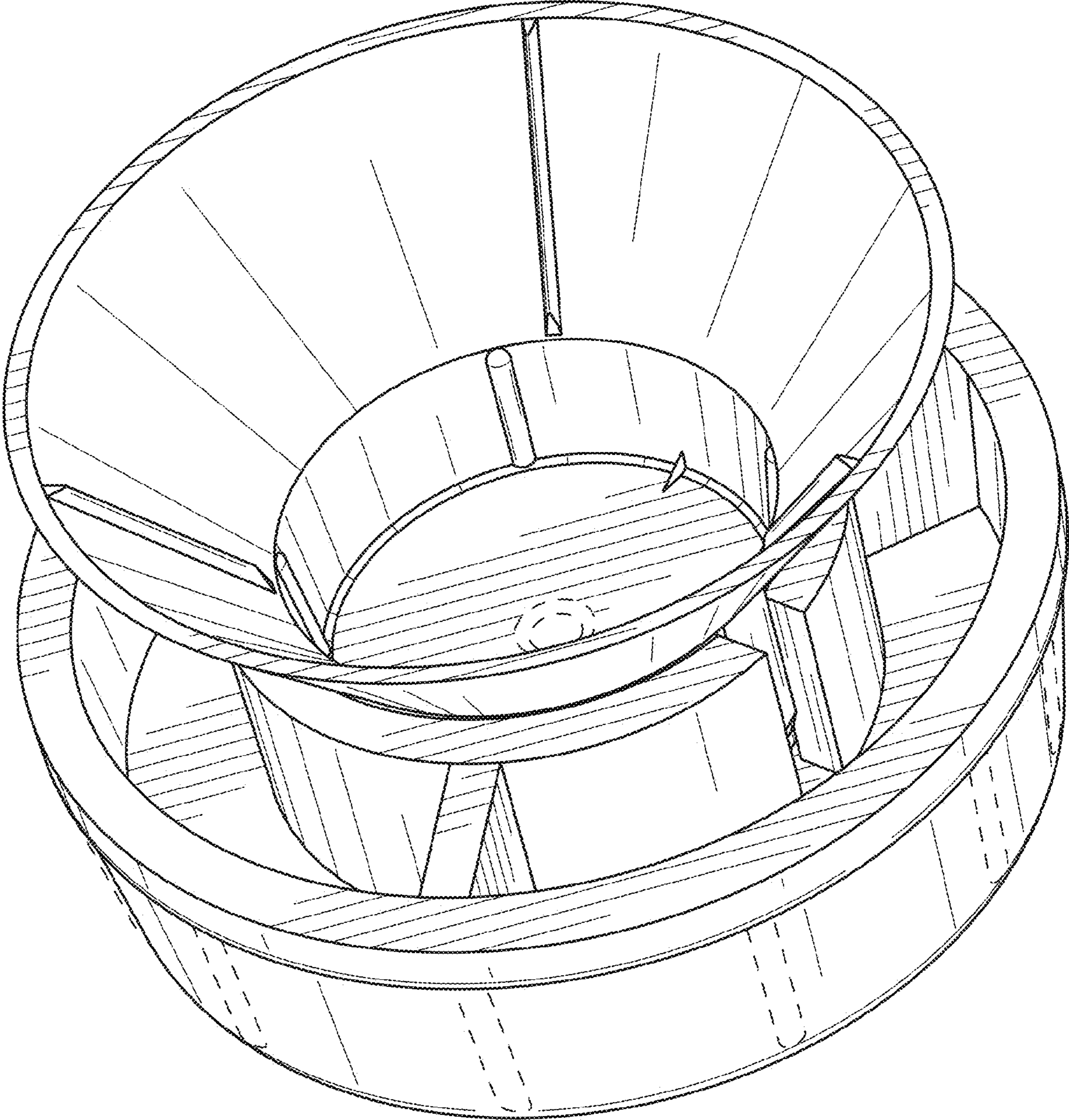


FIG. 1

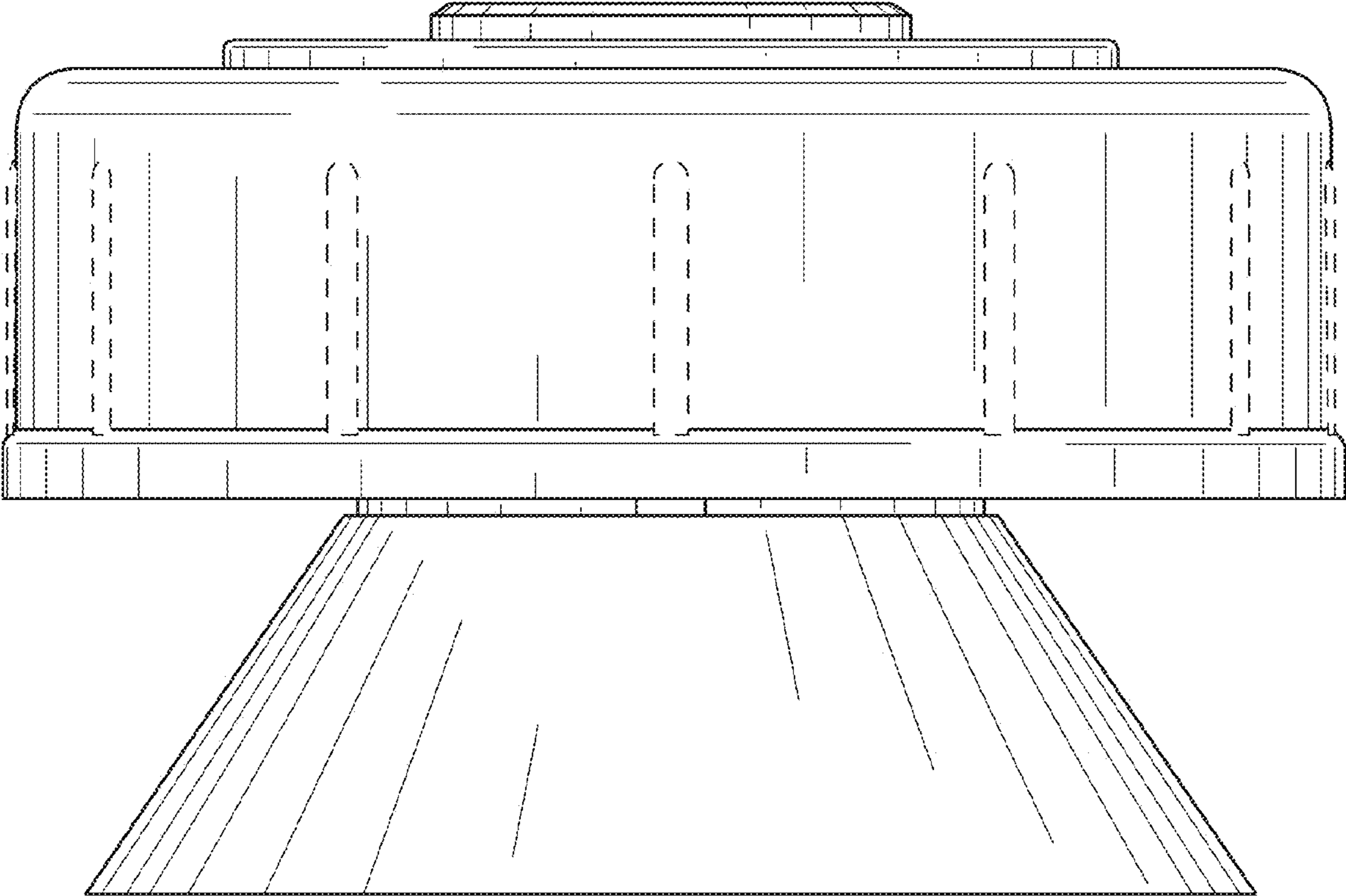


FIG. 2

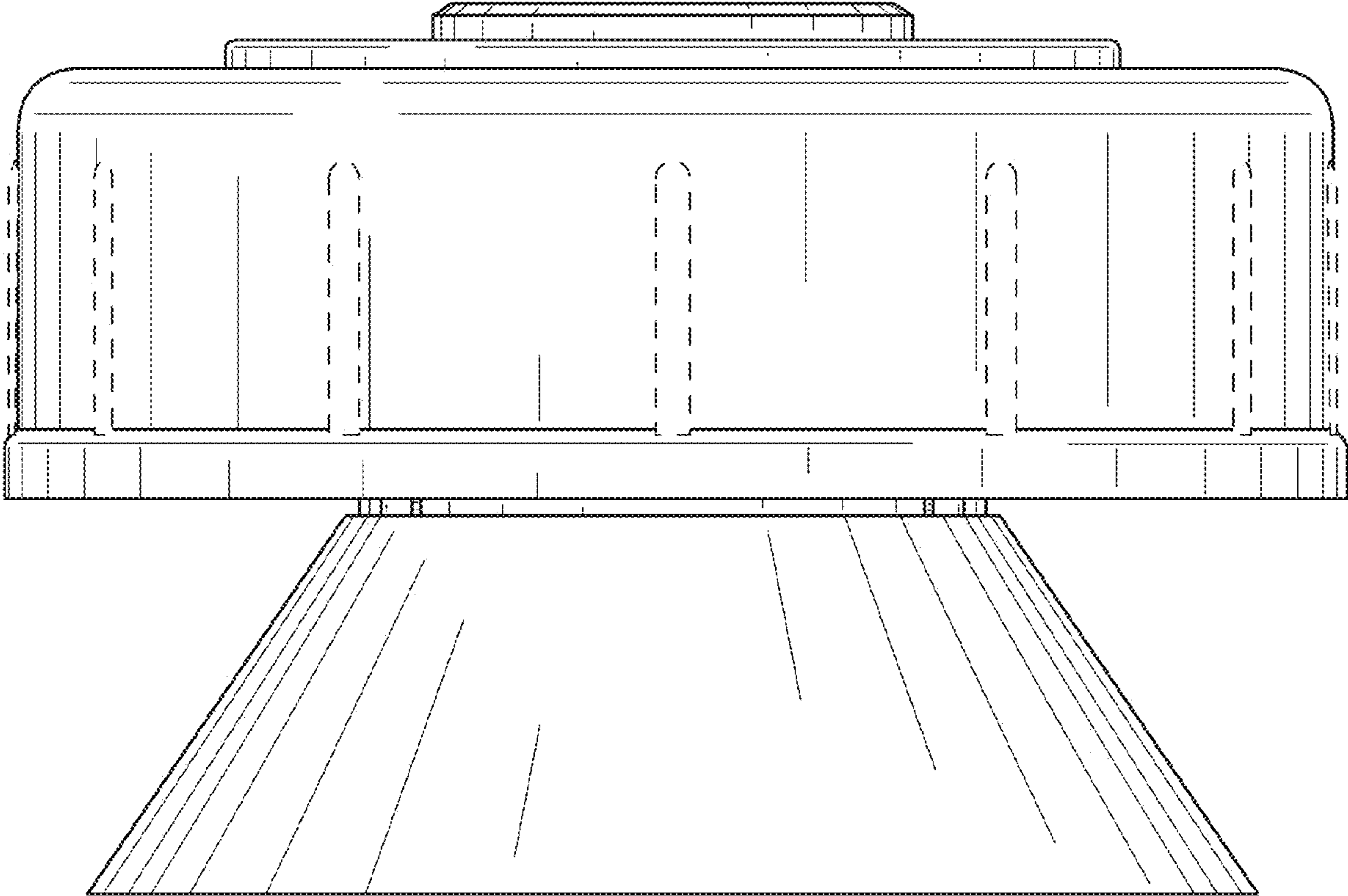


FIG. 3

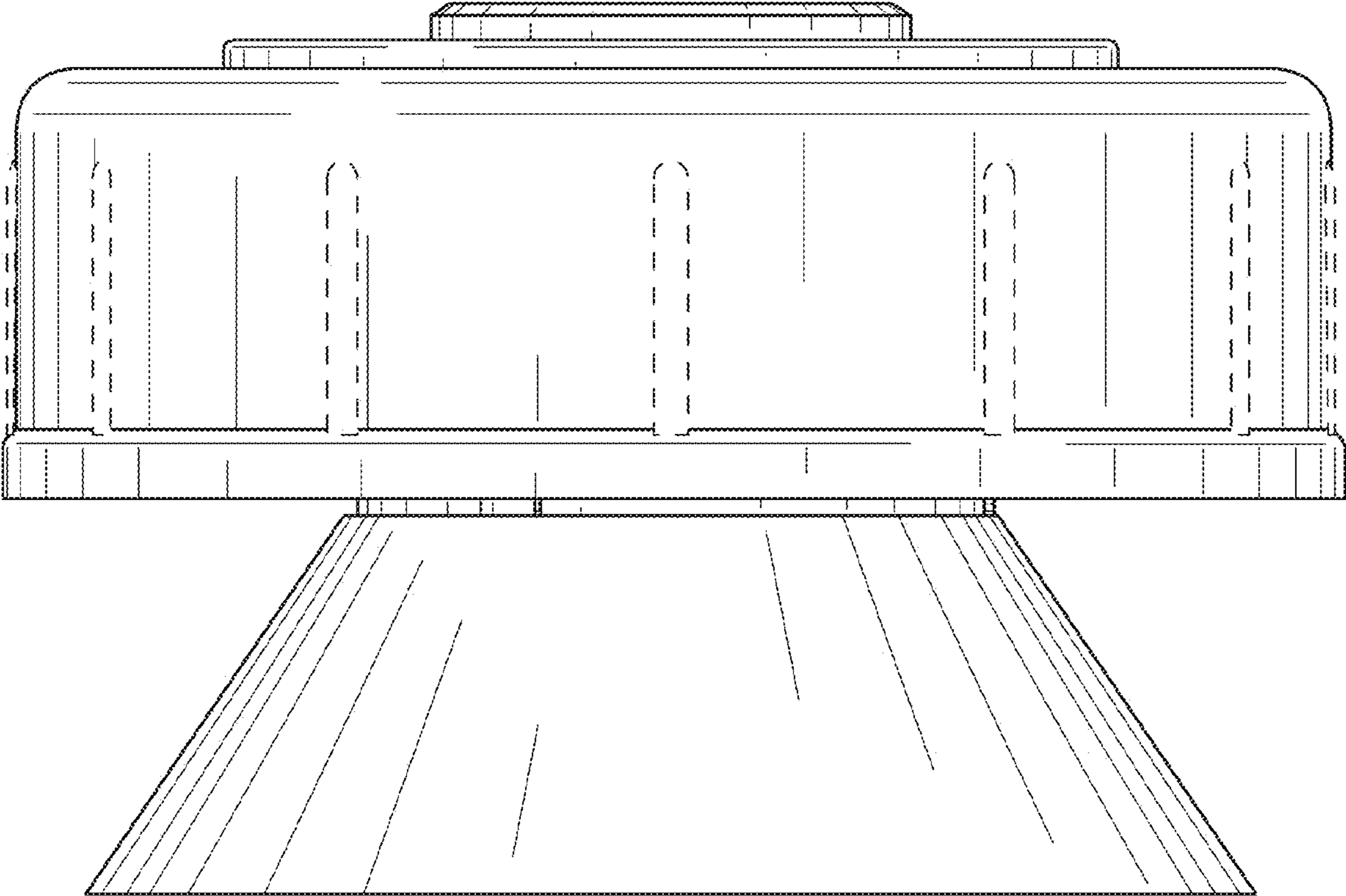


FIG. 4

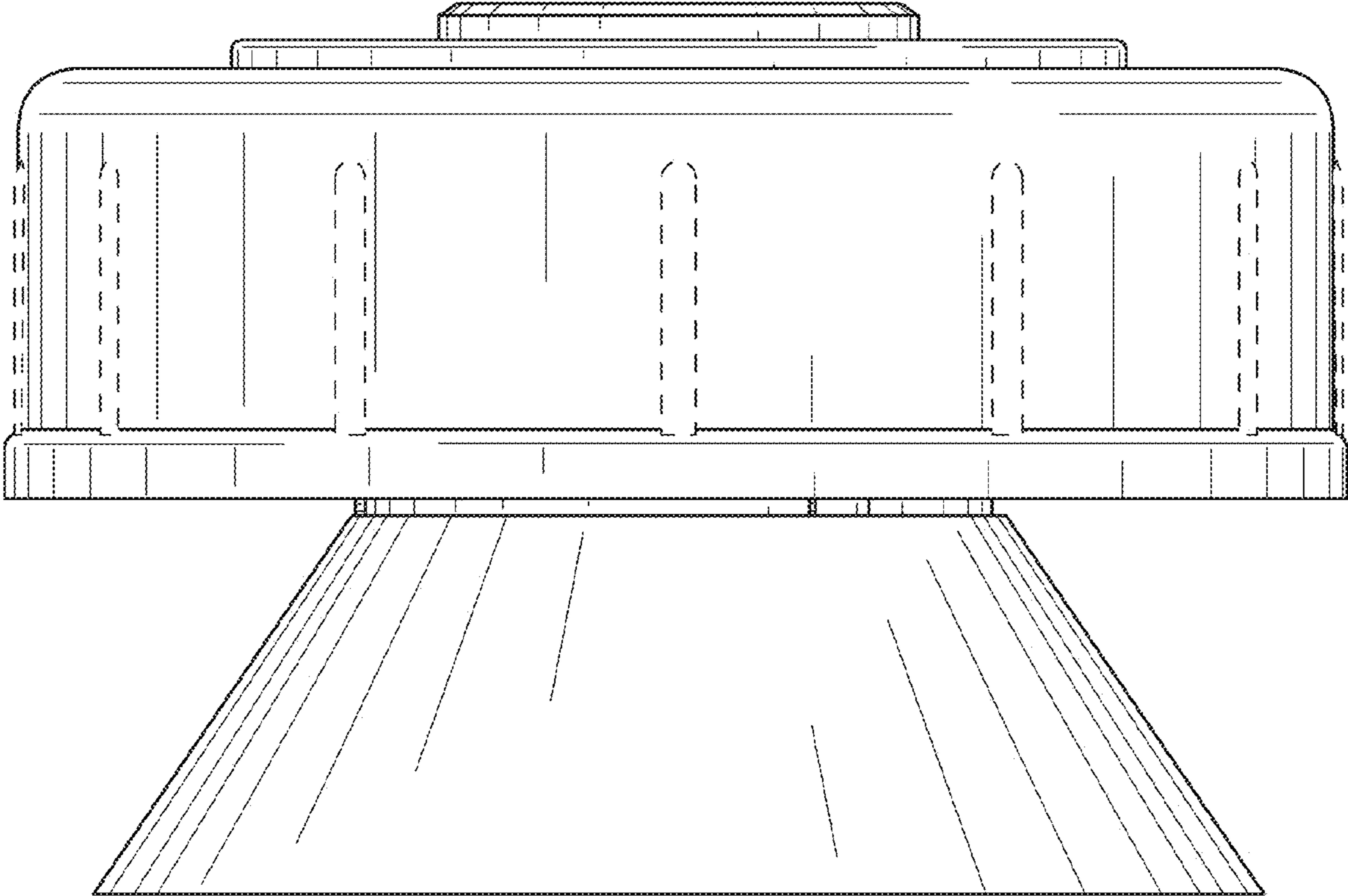


FIG. 5

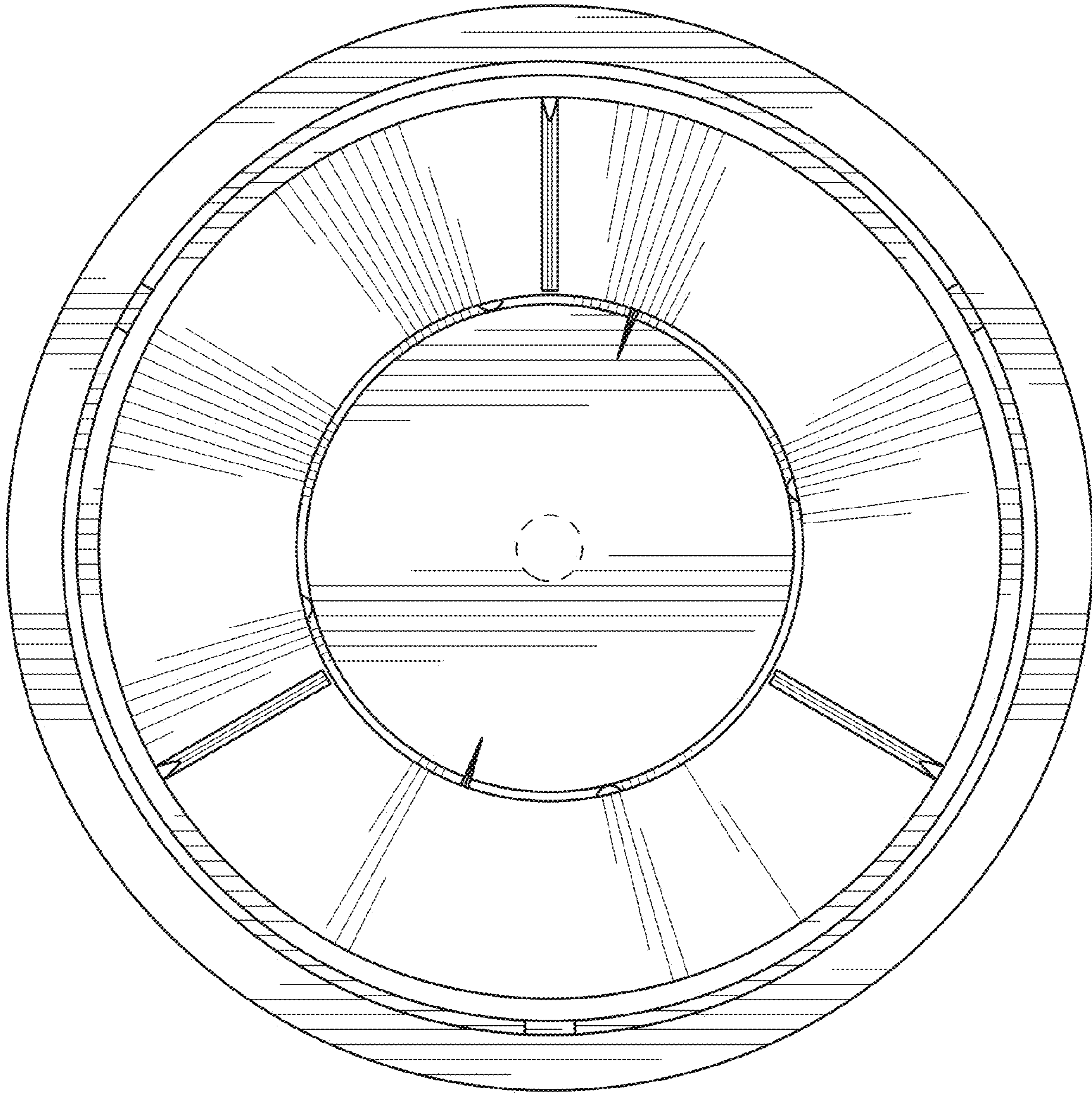


FIG. 6

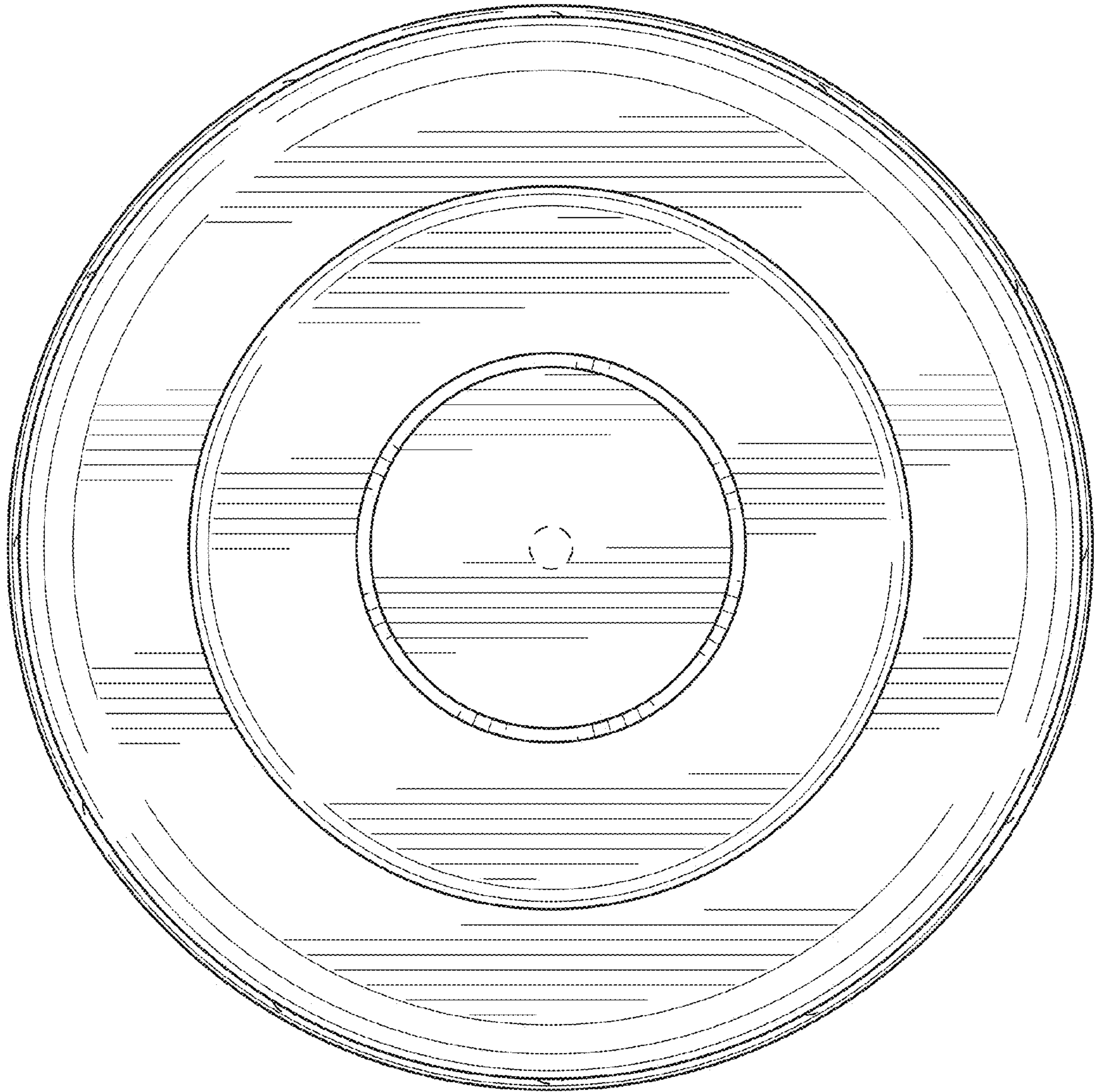


FIG. 7

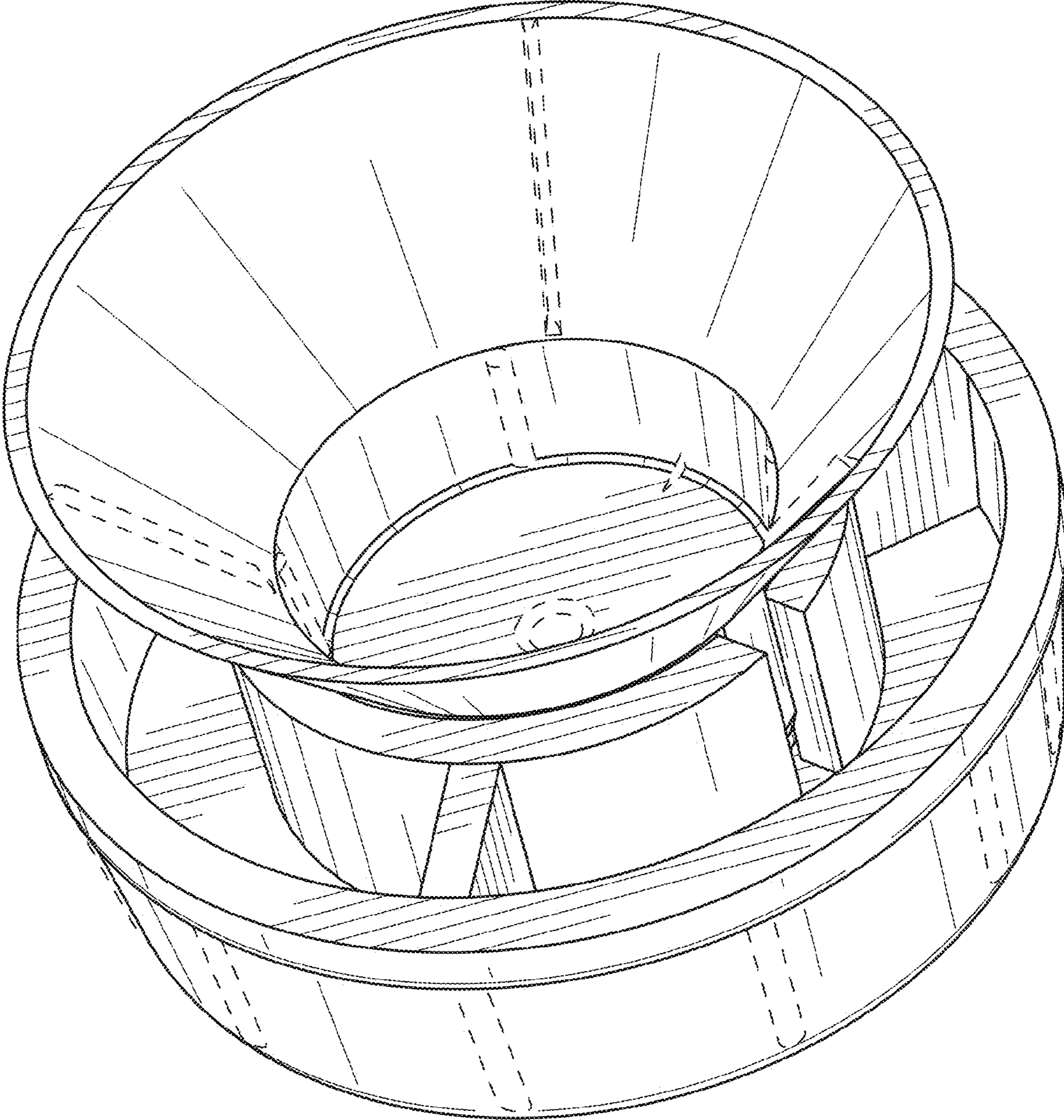


FIG. 8

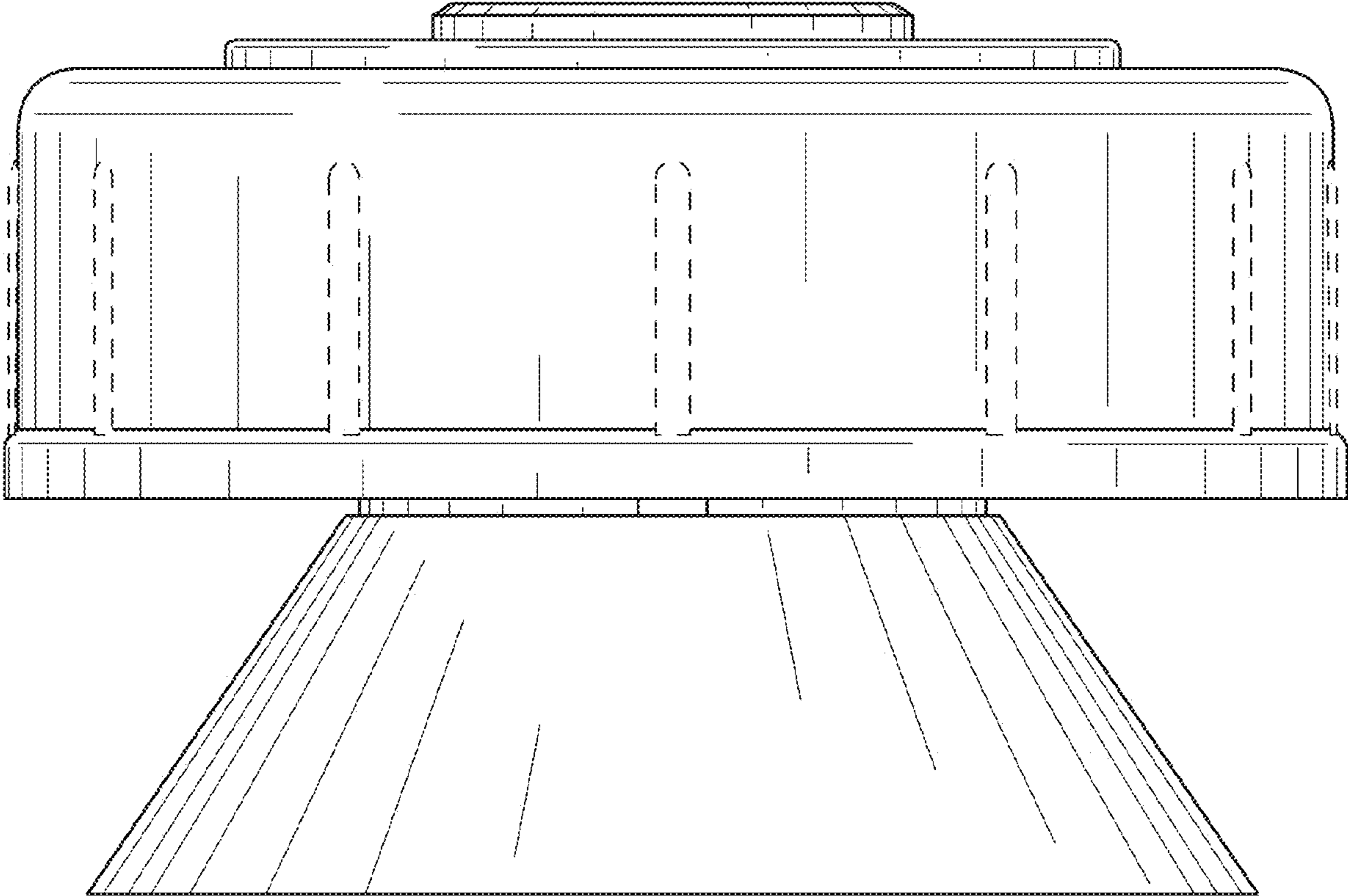


FIG. 9

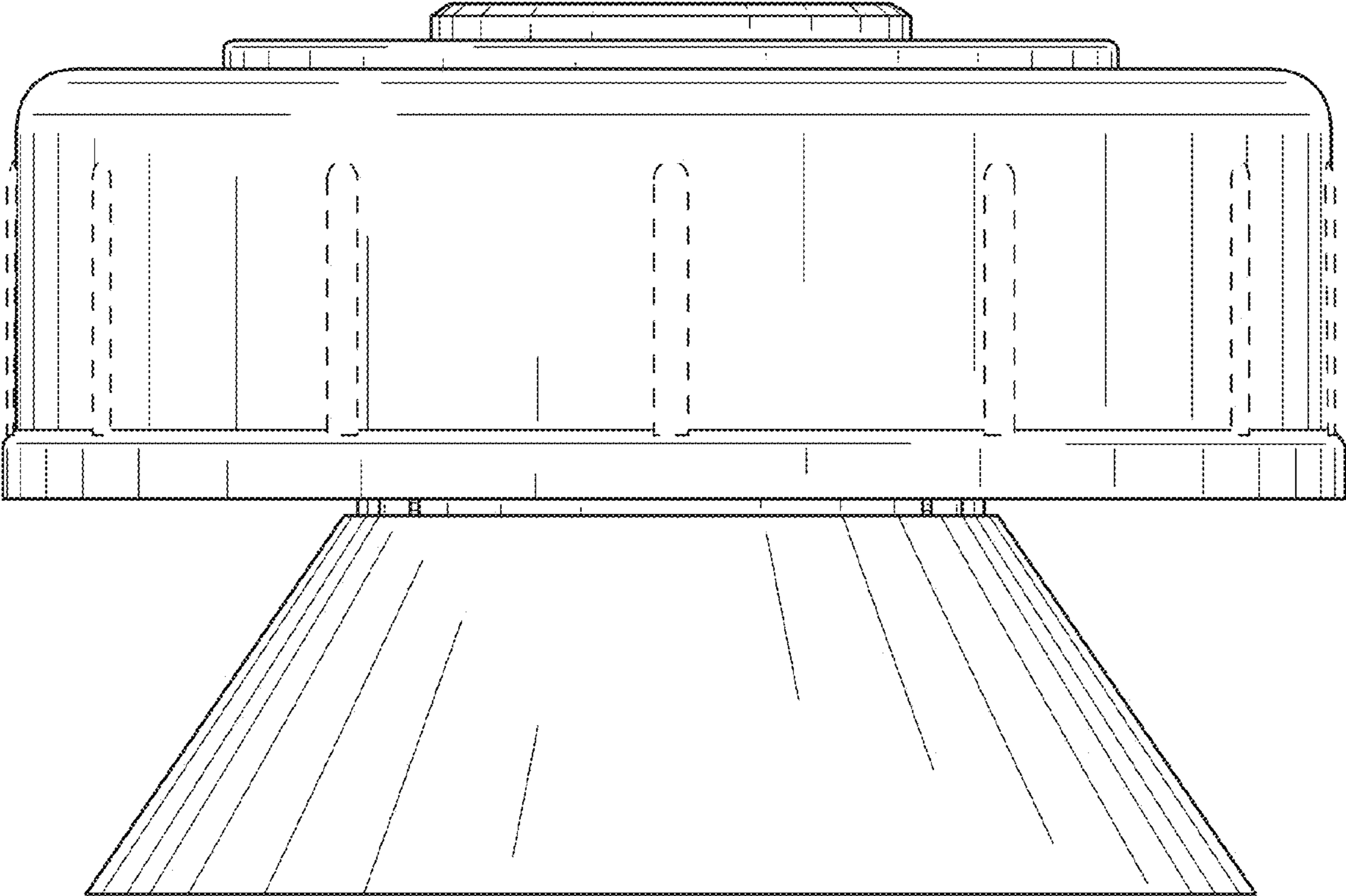


FIG. 10

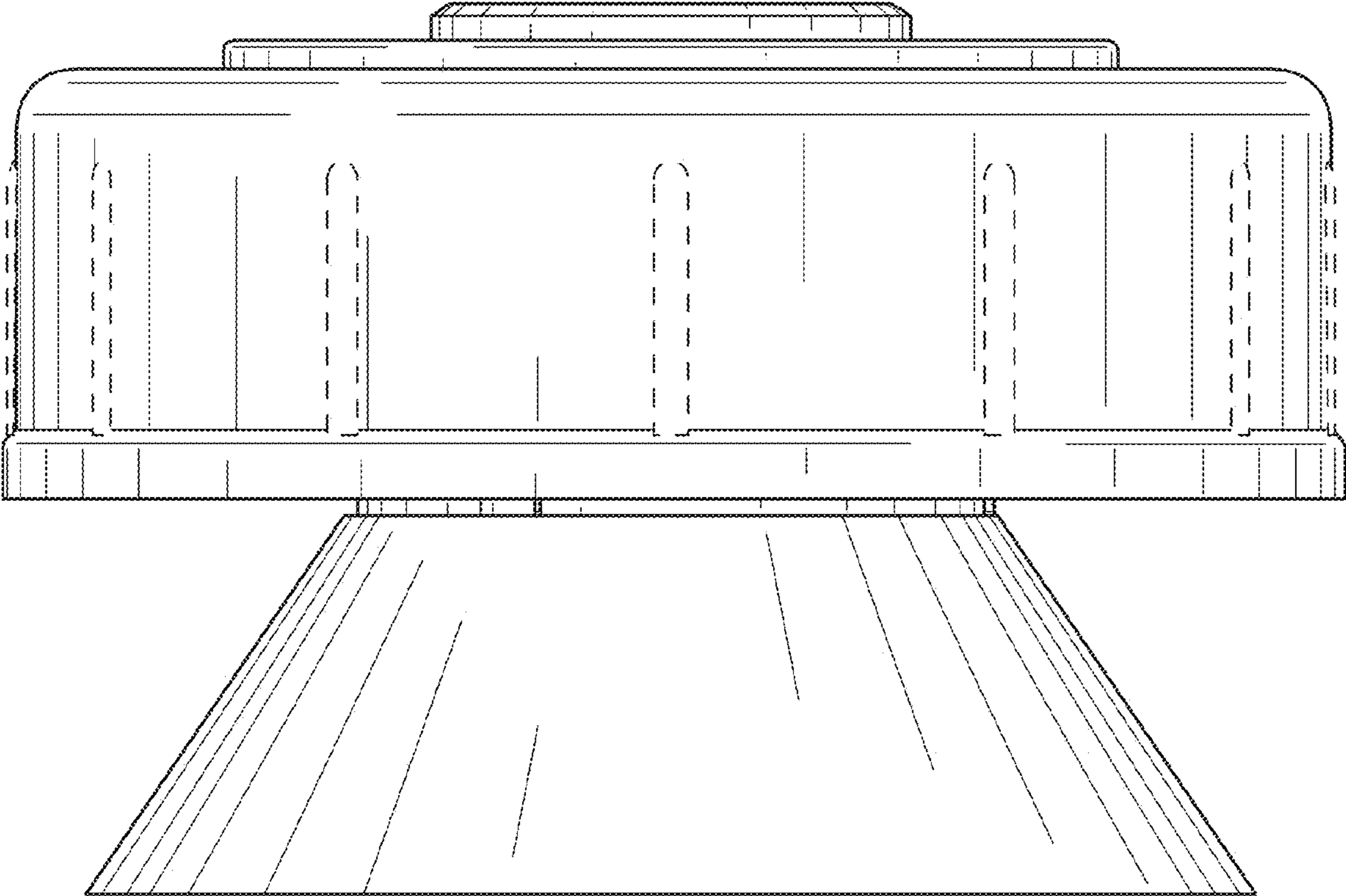


FIG. 11

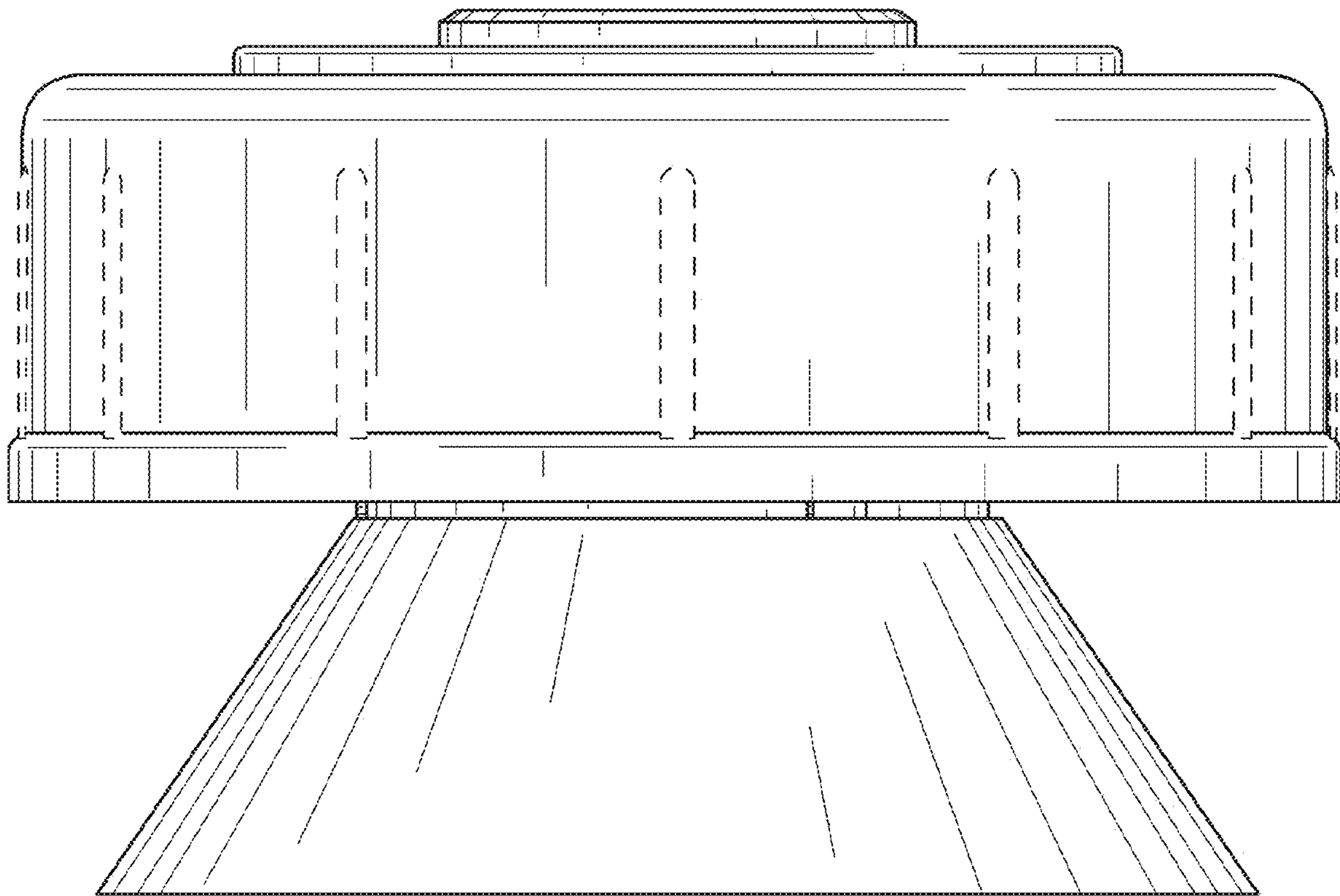


FIG. 12

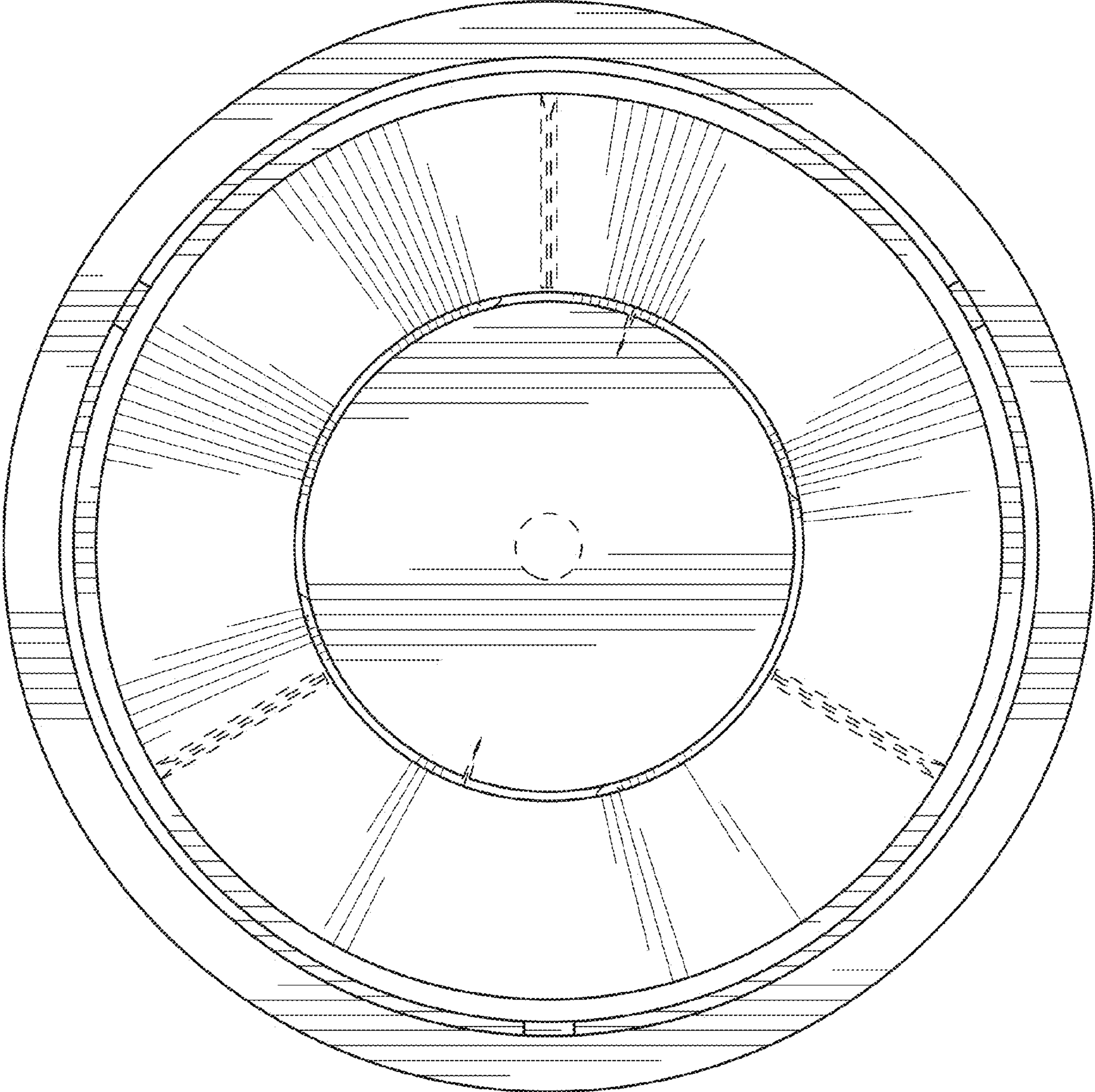


FIG. 13

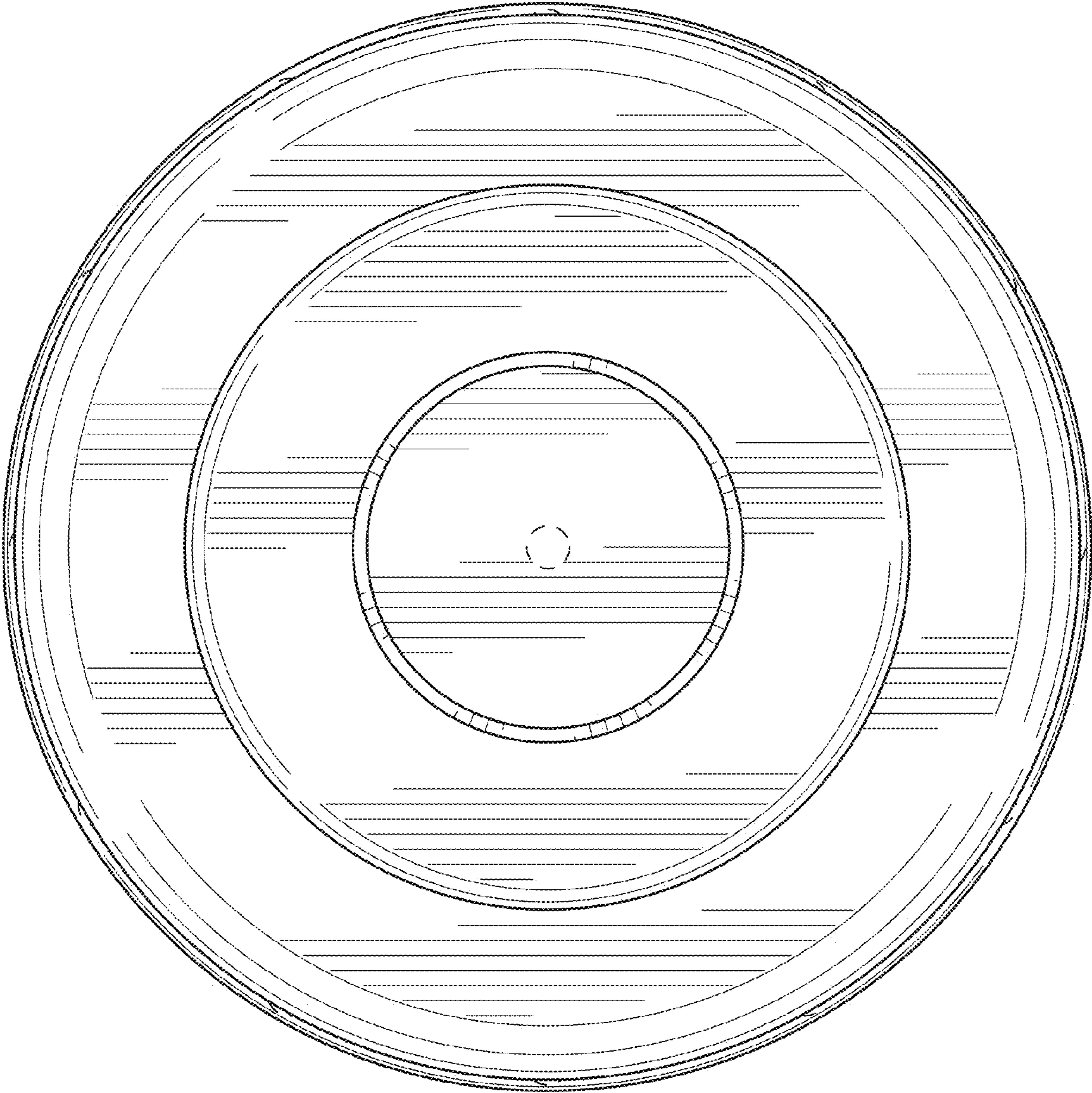


FIG. 14