



US00D939903S

(12) **United States Design Patent**
Kollmorgen

(10) **Patent No.:** **US D939,903 S**
(45) **Date of Patent:** **** Jan. 4, 2022**

- (54) **COOKING DEVICE**
- (71) Applicant: **Mahogany Developments Pty Ltd,**
Hampton (AU)
- (72) Inventor: **Andrew Kollmorgen,** Hampton (AU)
- (73) Assignee: **MAHOGANY DEVELOPMENTS**
PTY LTD, Hampton Vic (AU)
- (**) Term: **15 Years**
- (21) Appl. No.: **29/709,822**
- (22) Filed: **Oct. 17, 2019**
- (30) **Foreign Application Priority Data**
Apr. 17, 2019 (AU) 201912150
- (51) **LOC (13) Cl.** **07-04**
- (52) **U.S. Cl.**
USPC **D7/669**
- (58) **Field of Classification Search**
USPC D7/323, 337, 339, 340, 341, 346, 350.3,
D7/352, 354, 355, 356, 357, 358, 359,
D7/360, 361, 362, 363, 364, 365, 366,
D7/367, 402, 403, 406, 407, 601, 305,
D7/619.1, 620, 622, 624.1, 509, 523, 524,
D7/533, 537, 538, 543
CPC A47J 37/04; A47J 37/06; A47J 37/015;
A47J 37/067; A47J 37/0611; A47J
37/0629; A47J 37/0676; A47J 37/108;
F24C 7/06; F24C 7/083; F24C 15/02;
F24C 15/66; H05B 3/20; H05B 3/40;
A21B 1/06; A21B 1/50; A21B 1/52
See application file for complete search history.

- (56) **References Cited**
U.S. PATENT DOCUMENTS
D380,941 S * 7/1997 Wong D7/665
6,287,187 B1 * 9/2001 Deckert A22C 11/001
452/30

- D641,537 S * 7/2011 Evans D1/125
- D667,703 S * 9/2012 Ramirez D7/665
- D754,475 S * 4/2016 Pontano D7/402
- D784,094 S * 4/2017 Kim D7/669
- D867,077 S * 11/2019 Zemel D7/669
- 2005/0013952 A1 * 1/2005 Huckfeldt A22C 13/0003
428/34.8
- 2007/0000391 A1 * 1/2007 Hill A47J 43/18
99/349
- 2007/0012195 A1 * 1/2007 Muskat A47J 37/108
99/343

(Continued)

FOREIGN PATENT DOCUMENTS

- DE 19951314 A1 * 7/2001 B32B 27/06
- Primary Examiner* — Dana K Weiland
- Assistant Examiner* — Messina L Smith
- (74) *Attorney, Agent, or Firm* — Johnson & Martin, P.A.;
James David Johnson

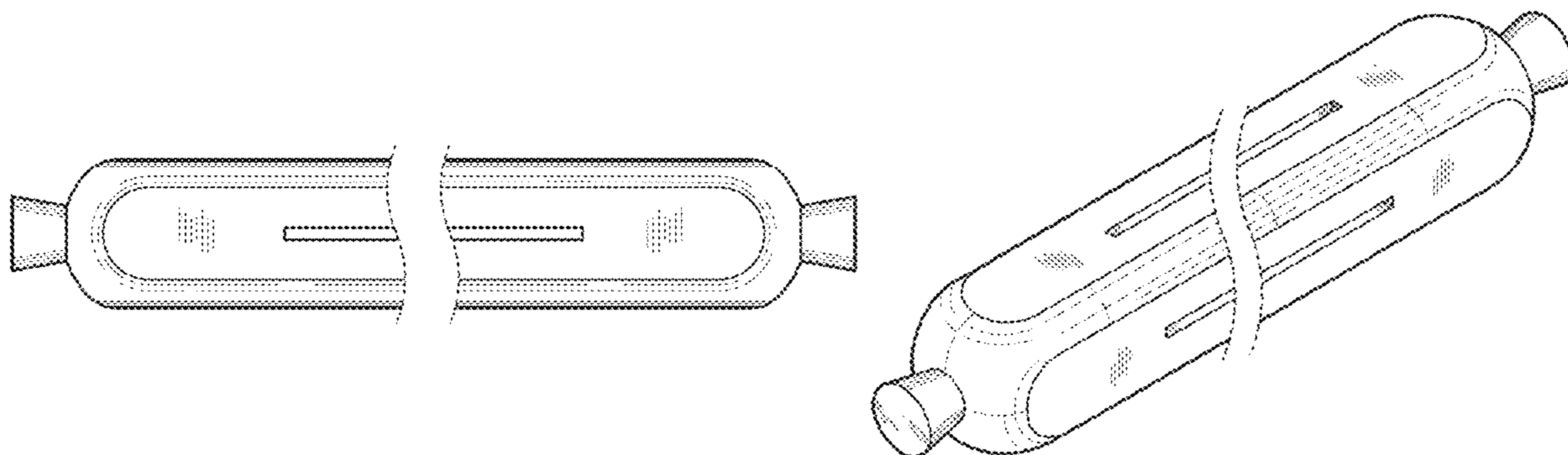
(57) **CLAIM**

The ornamental design for a cooking device, as shown and described.

DESCRIPTION

FIG. 1 is an end elevation view of a cooking device showing my new design.
 FIG. 2 is an opposite end elevation view thereof.
 FIG. 3 is a right side elevation view thereof.
 FIG. 4 is a left side elevation view thereof.
 FIG. 5 is a top view thereof.
 FIG. 6 is a bottom view thereof; and,
 FIG. 7 is a perspective view of the cooking device of FIG. 1.
 The cooking device is shown with symbolic breaks in its length. The appearance of any portion of the article between the break lines forms no part of the claimed design.

1 Claim, 4 Drawing Sheets



(56)

References Cited

U.S. PATENT DOCUMENTS

2007/0031541 A1* 2/2007 Kargenian A23L 13/65
426/90
2014/0087019 A1* 3/2014 Chang A23L 17/70
426/2
2016/0089804 A1* 3/2016 Osborne A47J 37/0611
99/353

* cited by examiner

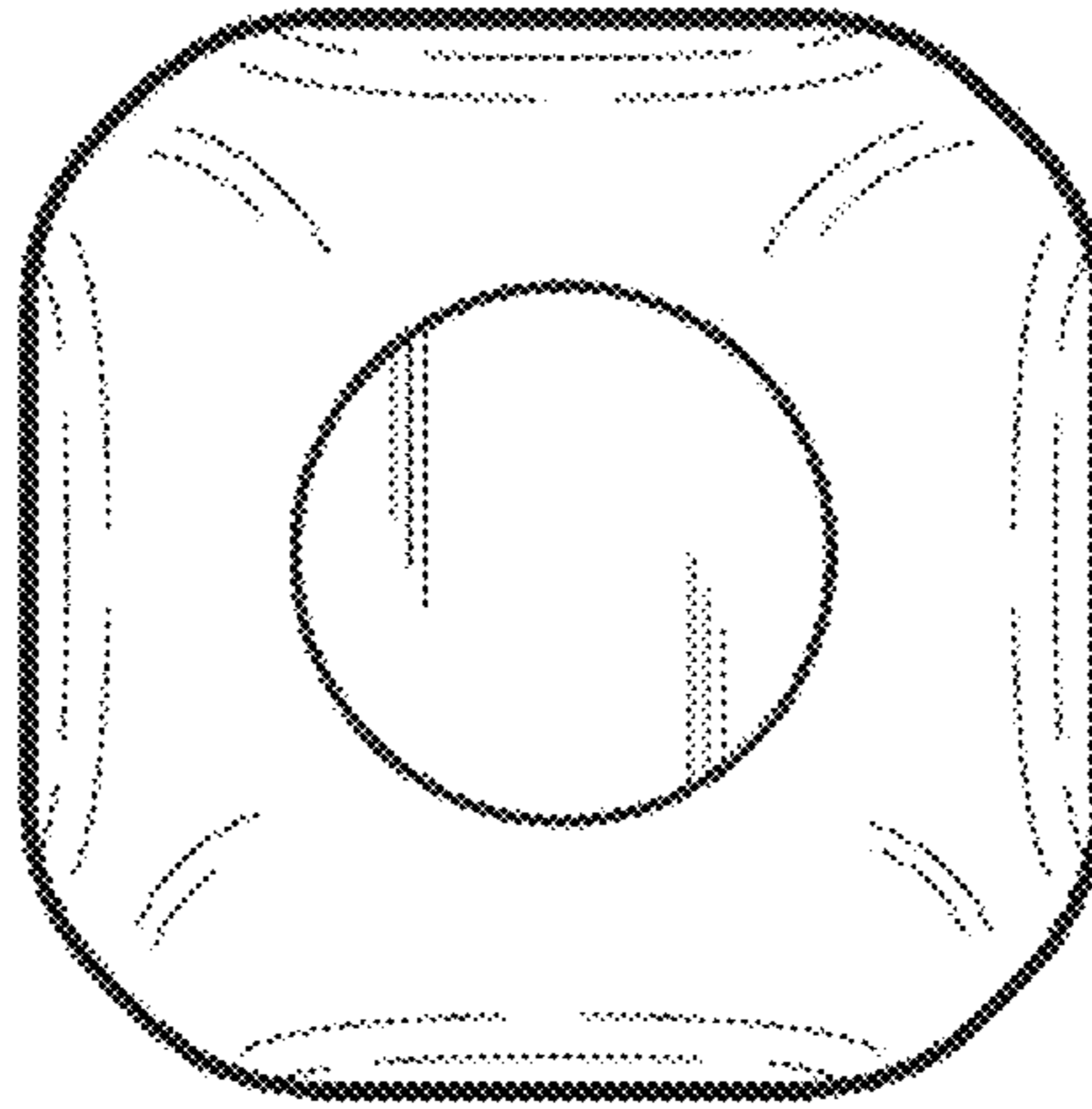


FIG. 1

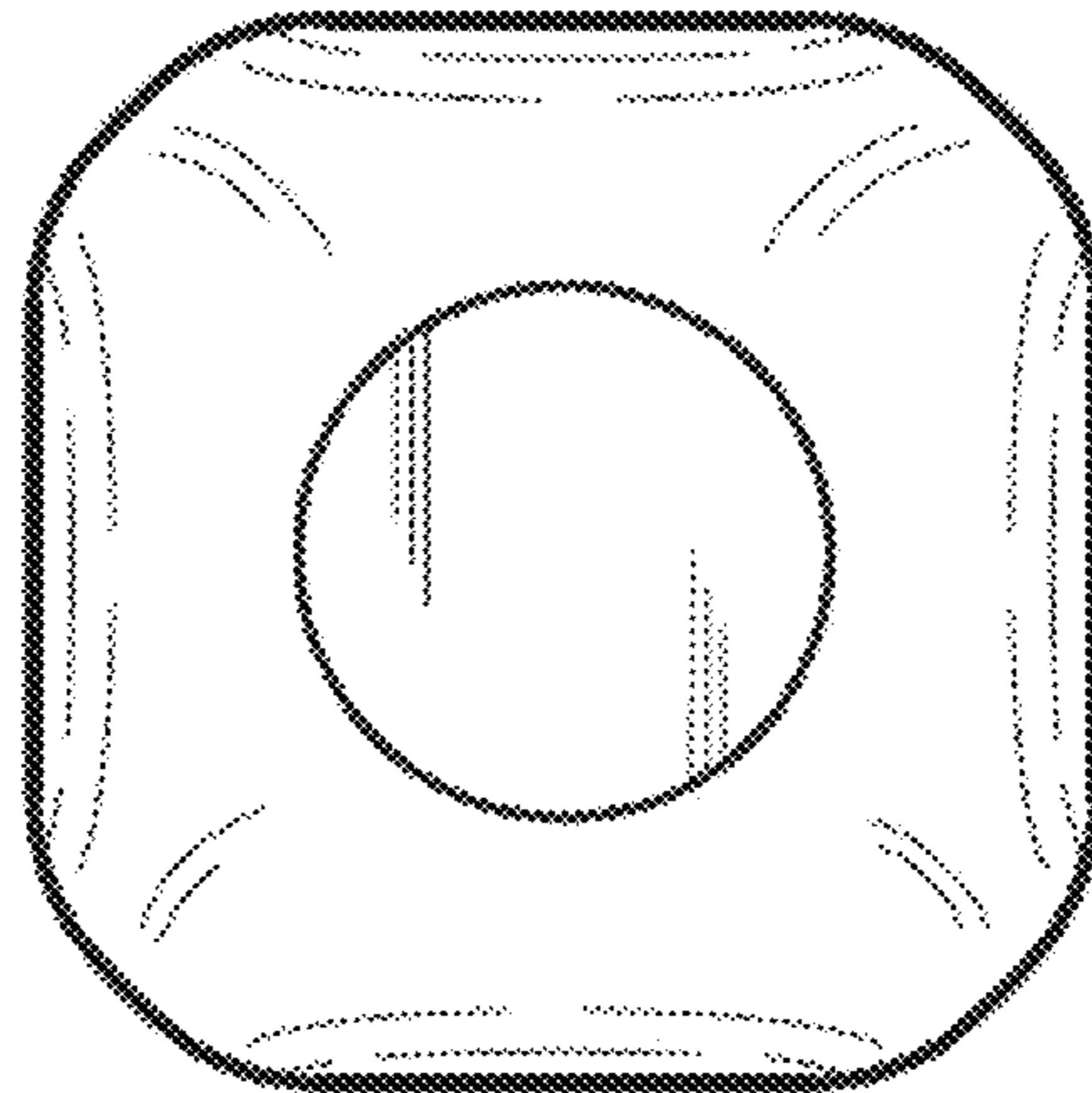


FIG. 2

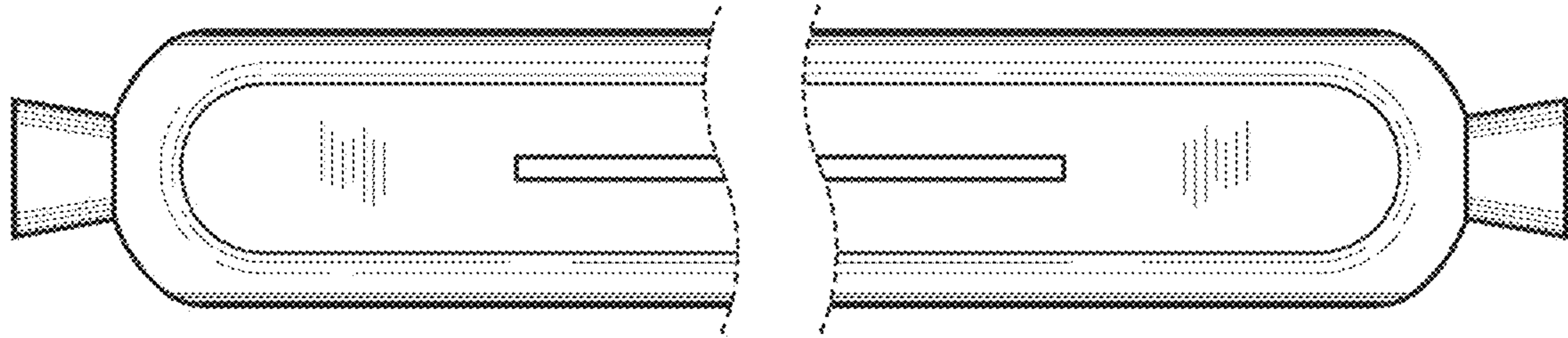


FIG. 3

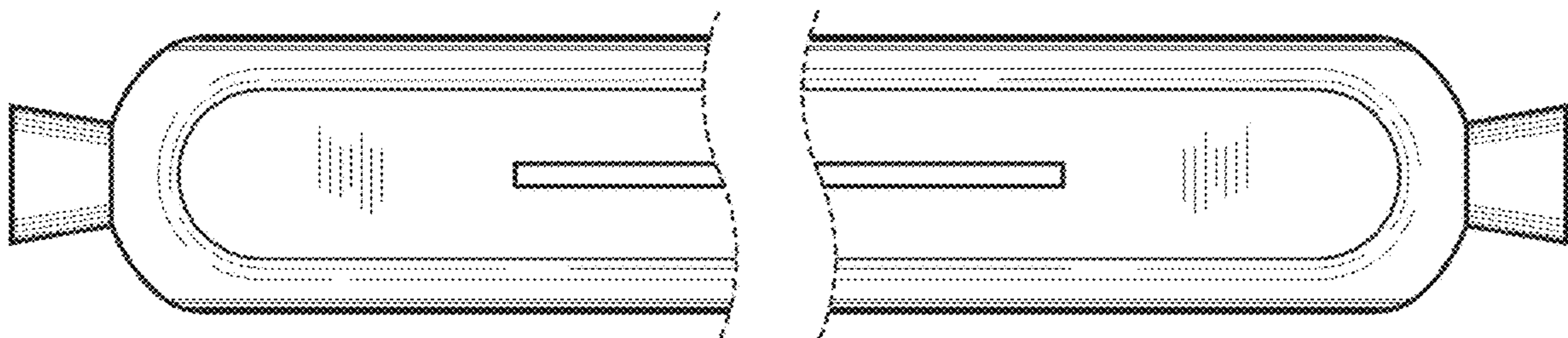


FIG. 4

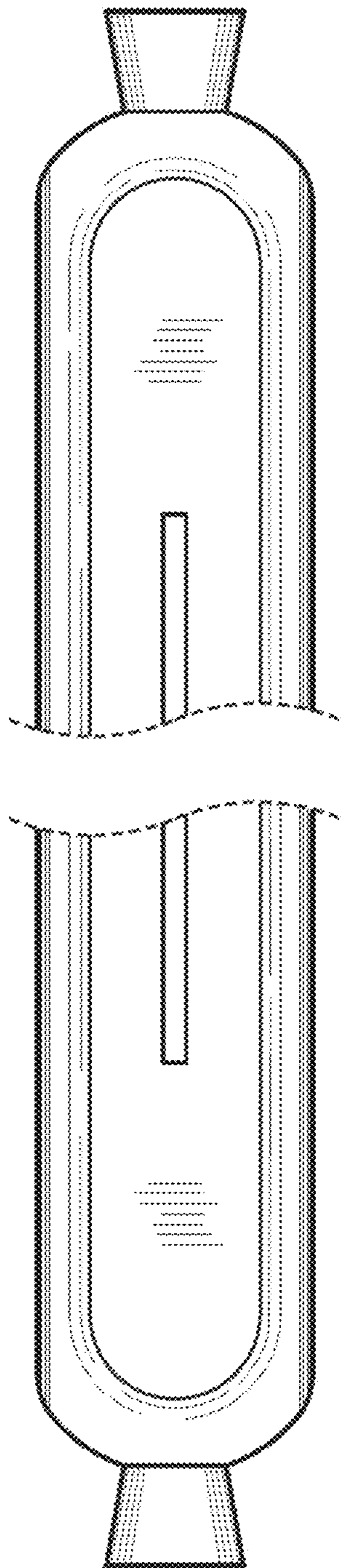


FIG. 5

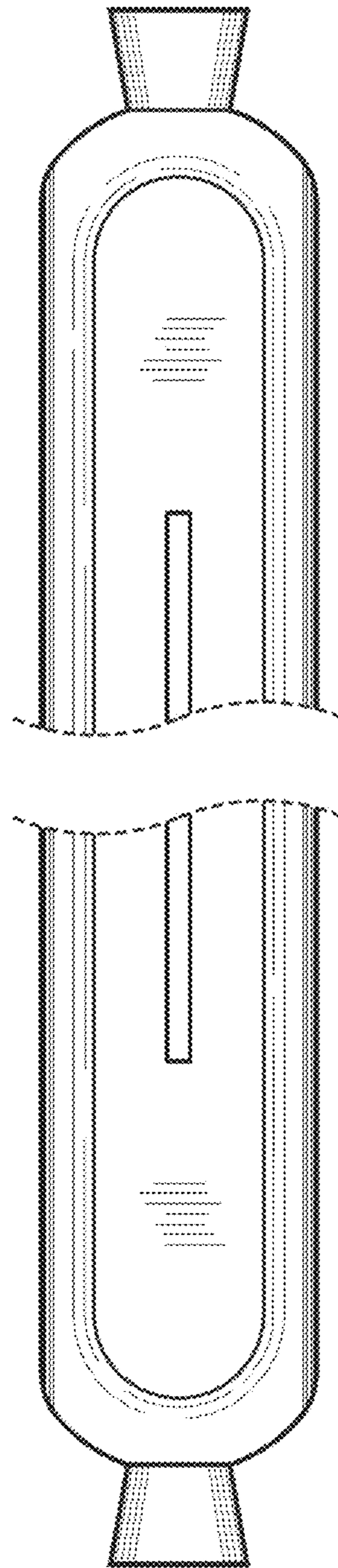


FIG. 6

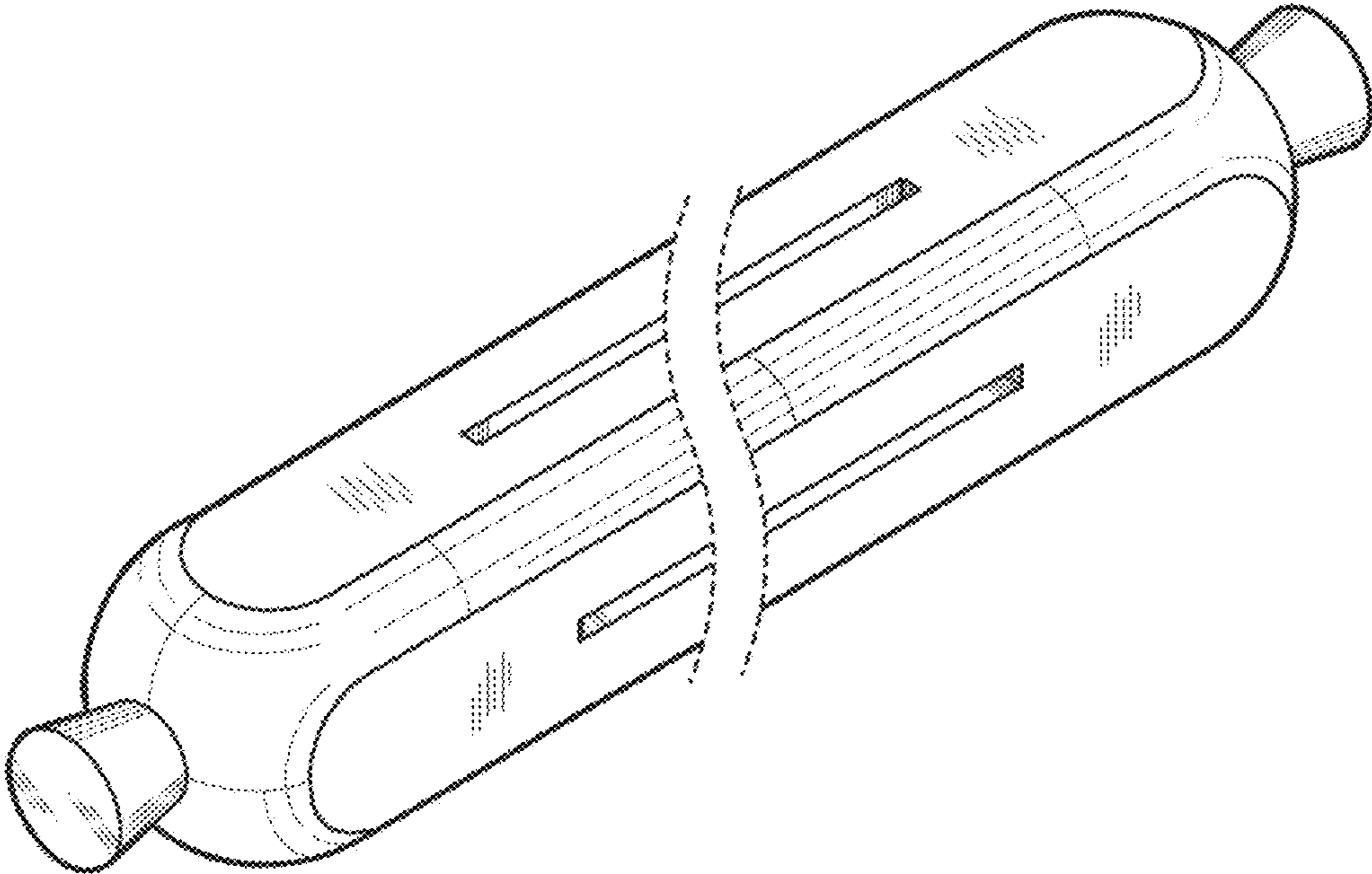


FIG. 7