



US00D939900S

(12) **United States Design Patent**
Merón et al.

(10) **Patent No.:** **US D939,900 S**

(45) **Date of Patent:** **** Jan. 4, 2022**

- (54) **JETTING MATERIAL TRAP**
- (71) Applicant: **Stratasys Ltd.**, Rehovot (IL)
- (72) Inventors: **Mordechay Merón**, Herzliya (IL);
Hanan Azran, Ashdod (IL)
- (73) Assignee: **Stratasys Ltd.**, Rehovot (IL)
- (**) Term: **15 Years**
- (21) Appl. No.: **29/740,531**
- (22) Filed: **Jul. 6, 2020**
- (51) **LOC (13) Cl.** **09-03**
- (52) **U.S. Cl.**
USPC **D7/624.1**
- (58) **Field of Classification Search**
USPC D7/601, 624.1, 624.2; D15/122, 126,
D15/127, 133, 135, 136, 138, 139
CPC B01D 15/08; G01N 1/28
See application file for complete search history.

- D627,121 * 11/2010 Merritt D32/55
- D634,340 * 3/2011 Luotoharju D15/135
- D634,341 * 3/2011 Luotoharju D15/135
- D771,970 * 11/2016 Mirth D6/524
- D812,654 * 3/2018 Brusilovski D15/122
- D831,393 * 10/2018 Hodgson D6/704
- D893,569 * 8/2020 Schick D15/144.1

* cited by examiner

Primary Examiner — Michael C Stout
Assistant Examiner — Fritzgerald L Butac

(56) **References Cited**

U.S. PATENT DOCUMENTS

- D211,841 * 7/1968 Johnson D3/310
- D369,719 * 5/1996 Eddy D7/387
- D418,376 * 1/2000 Ferguson D7/624.1
- D418,377 * 1/2000 Ferguson D7/624.1
- D442,027 * 5/2001 Peters D7/397

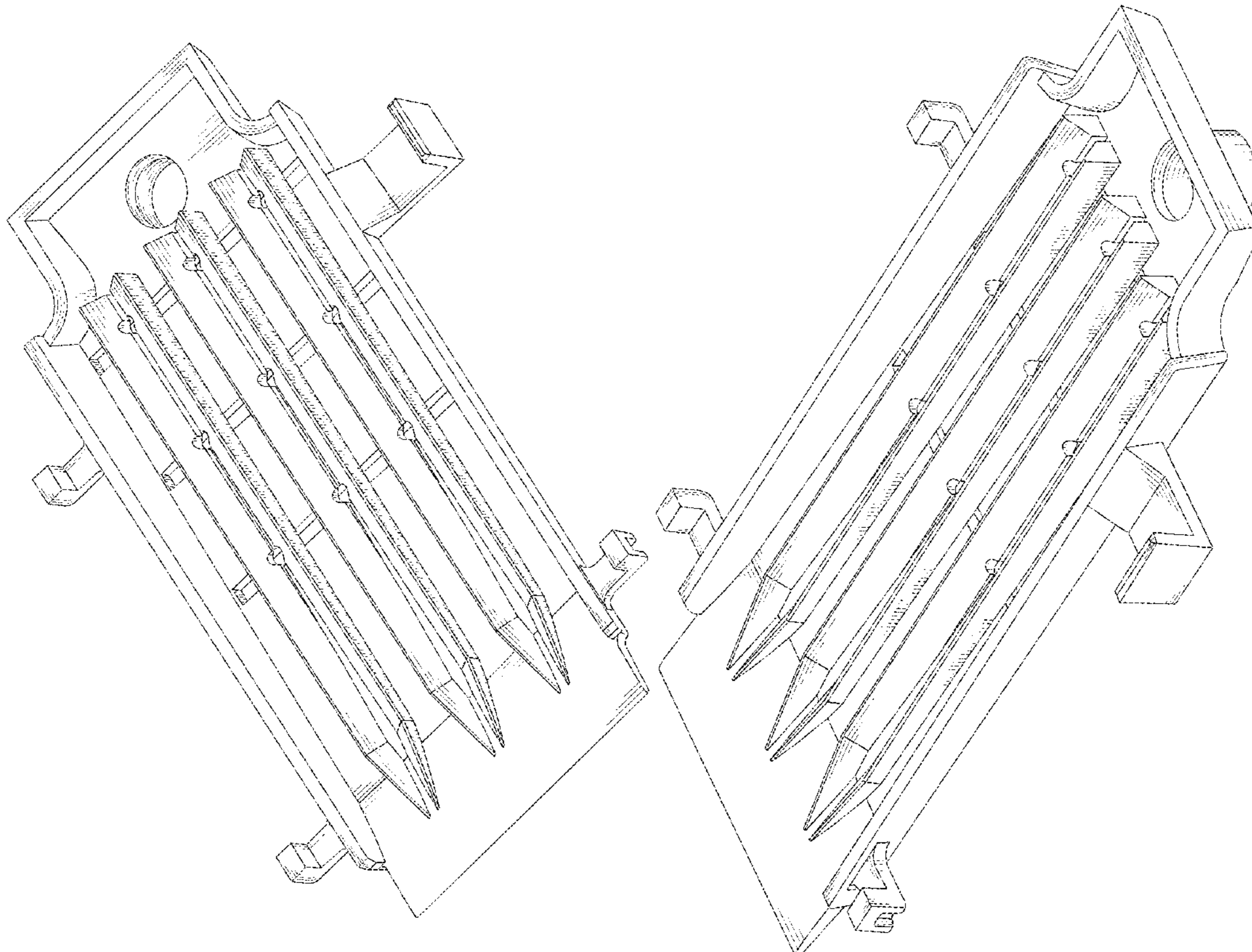
(57) **CLAIM**

The ornamental design for a jetting material trap, as shown and described.

DESCRIPTION

FIG. 1 is a rear view of a jetting material trap, showing our new design;
FIG. 2 is a bottom view thereof;
FIG. 3 is a front view thereof;
FIG. 4 is a front, top perspective view thereof;
FIG. 5 is a rear, top perspective view thereof;
FIG. 6 is a left side view thereof;
FIG. 7 is a right side view thereof; and,
FIG. 8 is a top view thereof.

1 Claim, 8 Drawing Sheets



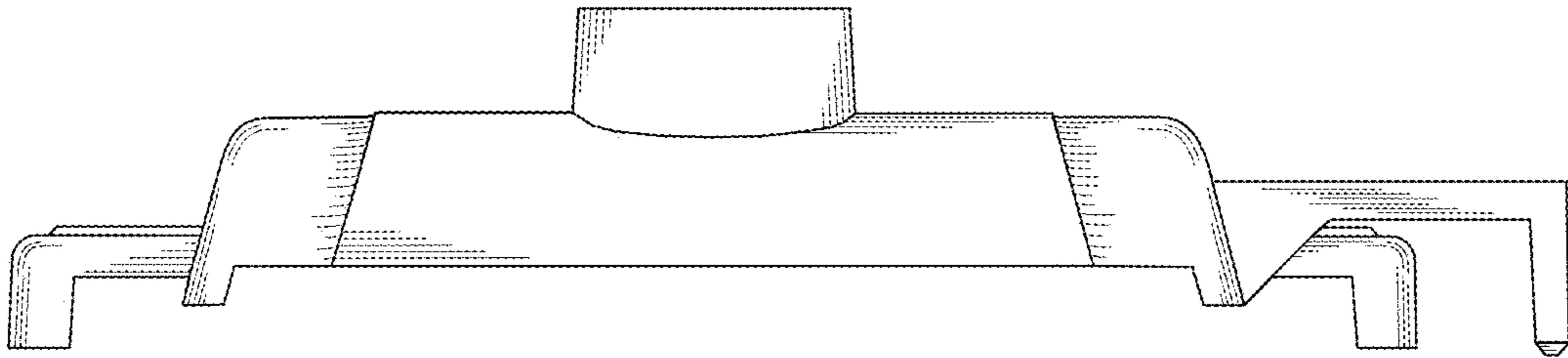


FIG. 1

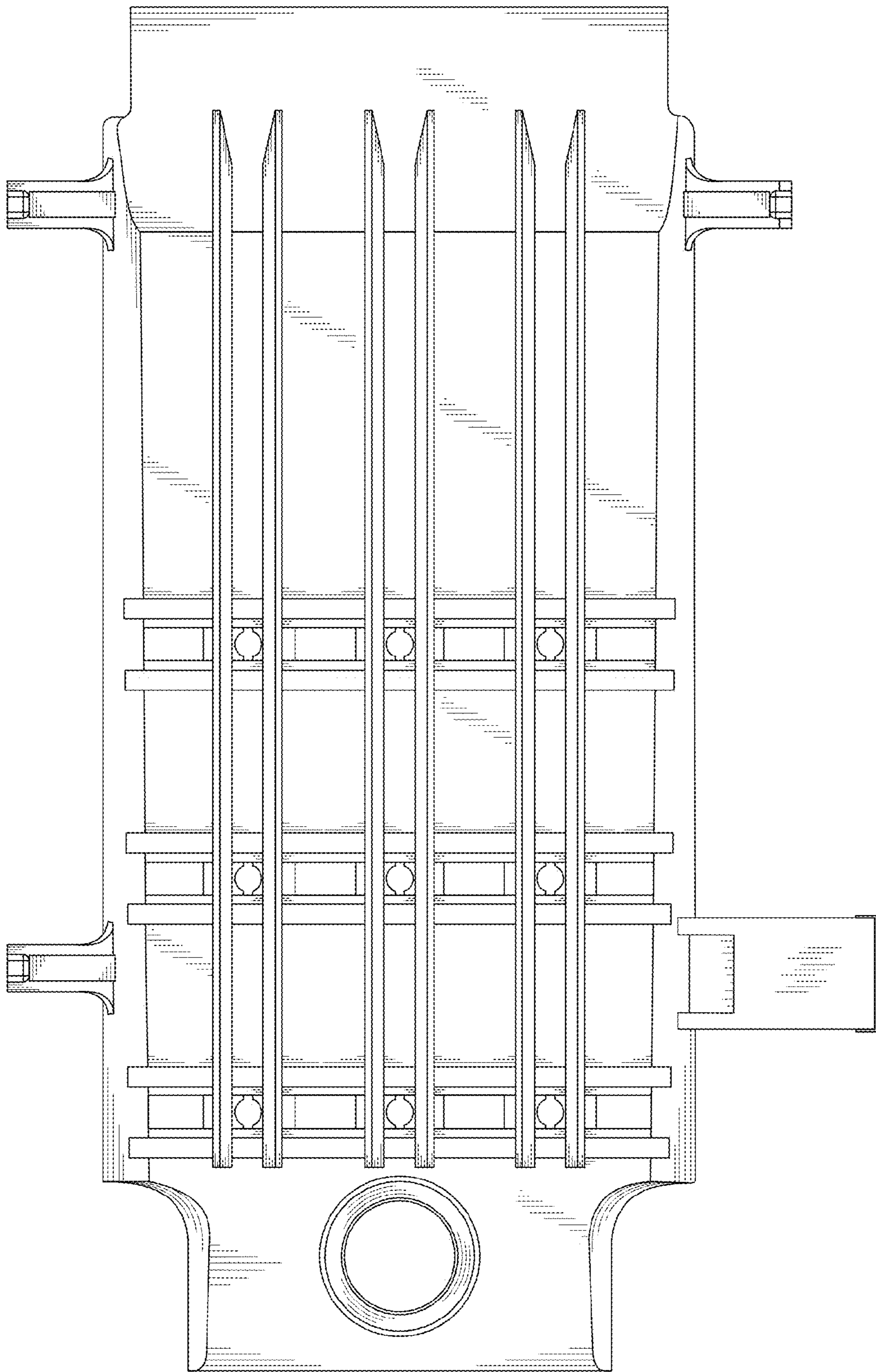


FIG. 2

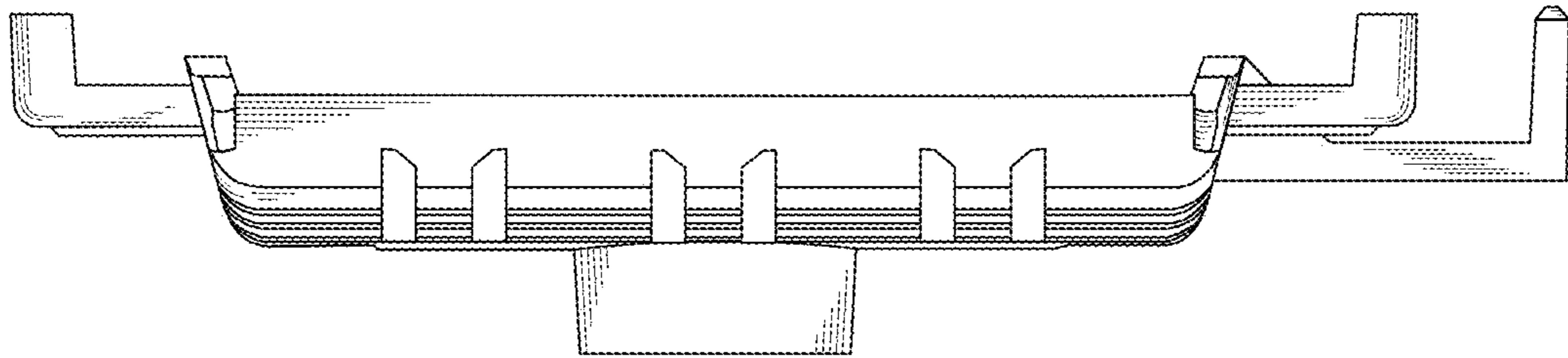


FIG. 3

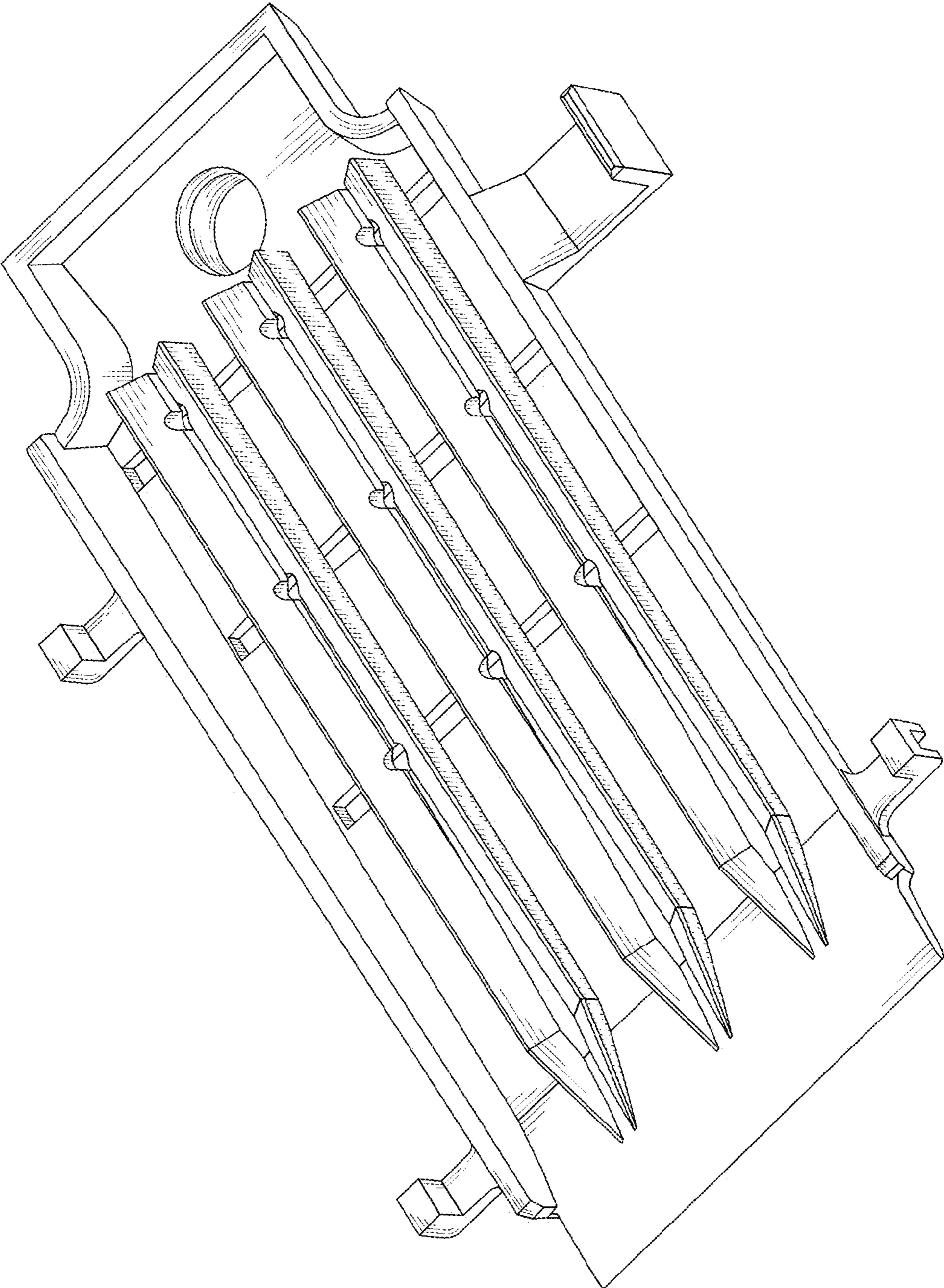


FIG. 4

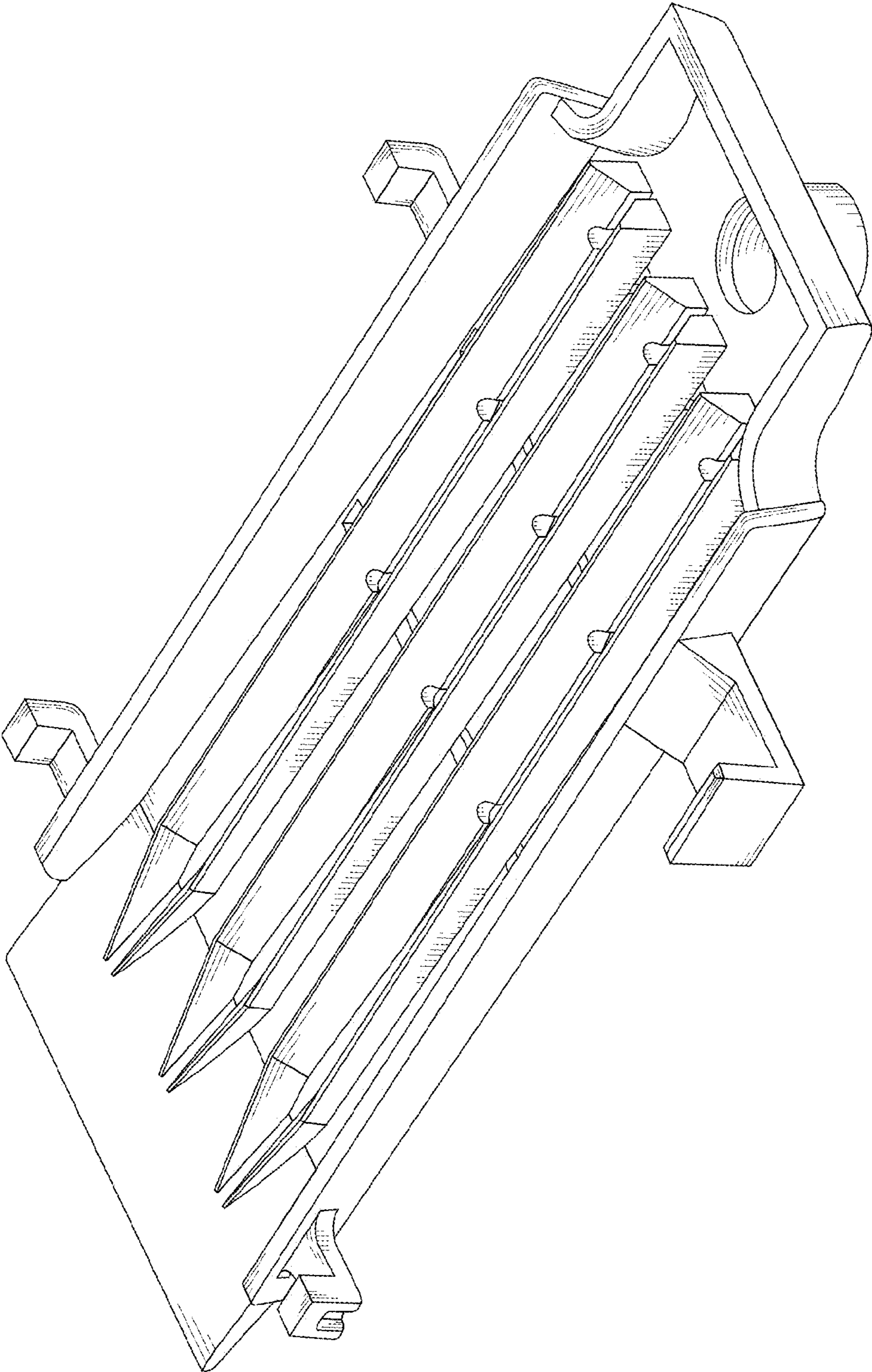


FIG. 5

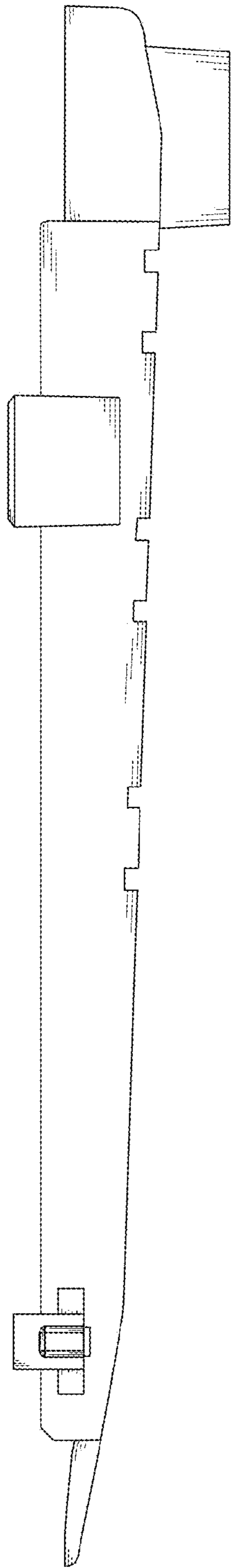


FIG. 6

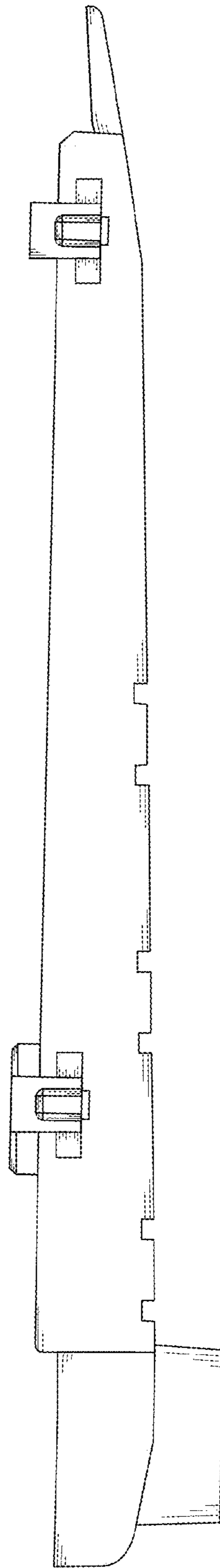


FIG. 7

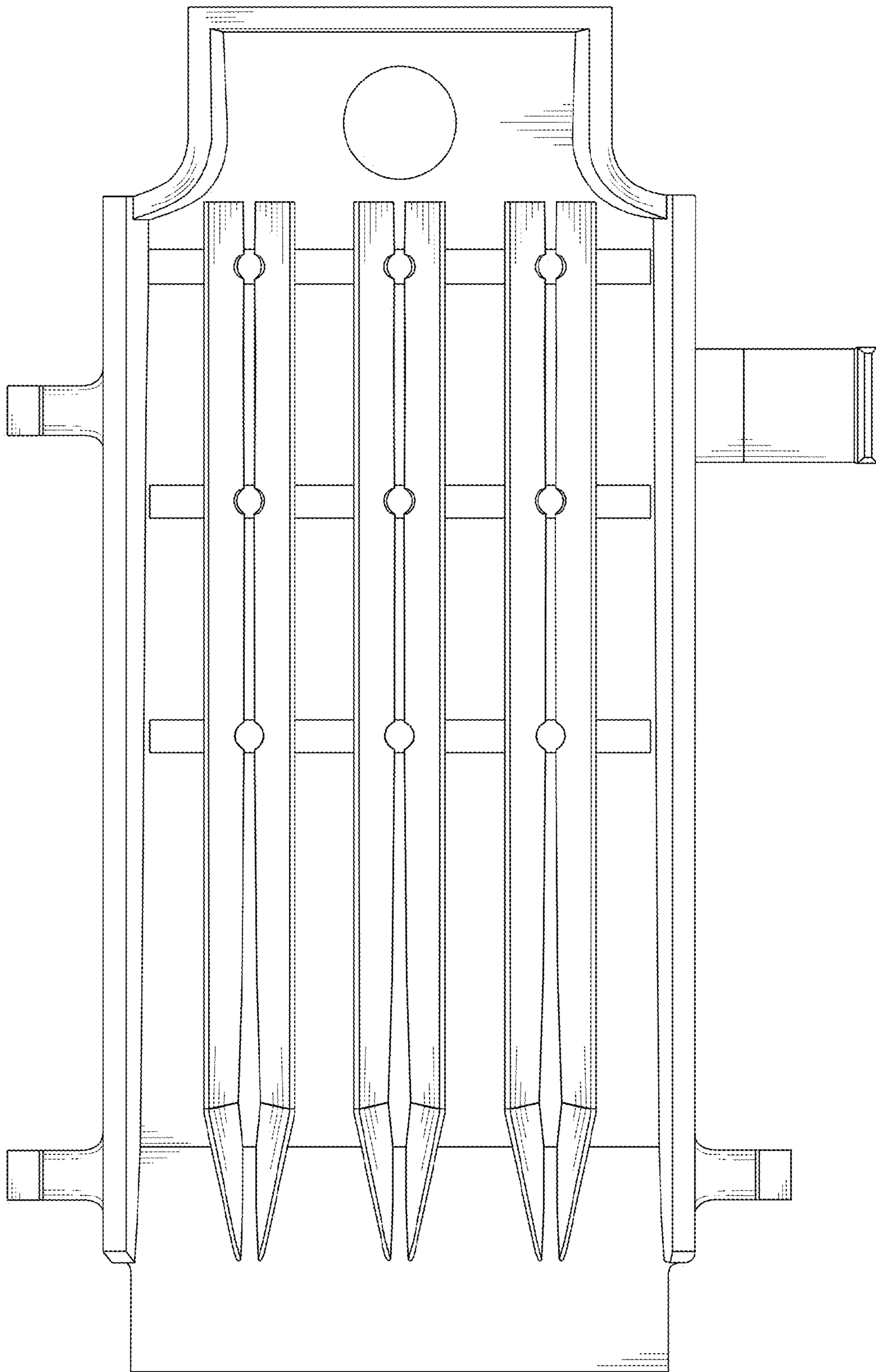


FIG. 8