

US00D939898S

(12) **United States Design Patent** (10) **Patent No.:** **US D939,898 S**  
**Xu** (45) **Date of Patent:** **\*\* Jan. 4, 2022**

(54) **BOWL**  
(71) Applicant: **Daowang Xu**, Nanping (CN)  
(72) Inventor: **Daowang Xu**, Nanping (CN)  
(\*\*) Term: **15 Years**  
(21) Appl. No.: **29/774,774**  
(22) Filed: **Mar. 19, 2021**  
(51) **LOC (13) Cl.** ..... **07-01**  
(52) **U.S. Cl.**  
USPC ..... **D7/587**  
(58) **Field of Classification Search**  
USPC ..... D7/500, 587, 565, 560, 543, 586;  
D30/130  
CPC ..... A47G 19/025; A47G 19/02  
See application file for complete search history.

D616,251 S \* 5/2010 Heiberg ..... D7/566  
D619,421 S \* 7/2010 France ..... D7/586  
D621,222 S \* 8/2010 Heiberg ..... D7/587  
D621,664 S \* 8/2010 Heiberg ..... D7/587  
D639,115 S \* 6/2011 Stewart ..... D7/543  
D645,705 S \* 9/2011 Shamoon ..... D7/543  
D656,792 S \* 4/2012 Sink ..... D7/586  
D664,003 S \* 7/2012 Nagoya ..... D7/512  
D684,429 S \* 6/2013 Lion ..... D7/543  
D699,077 S \* 2/2014 Ehrenhaus ..... D7/587  
D712,209 S \* 9/2014 Hager ..... D7/700  
D715,594 S \* 10/2014 Norland ..... D7/545  
D727,090 S \* 4/2015 St. Jacques ..... D7/388  
D776,491 S \* 1/2017 Goldfarb ..... D7/630  
D777,992 S \* 1/2017 Tsengas ..... D30/129  
D787,274 S \* 5/2017 Gagnon ..... D7/586  
D823,643 S \* 7/2018 Paul ..... D7/584  
D832,054 S \* 10/2018 Klimecki ..... D7/587  
D862,988 S 10/2019 Wiggins et al.  
2007/0003739 A1 \* 1/2007 Peterson ..... B32B 1/00  
428/174

\* cited by examiner

*Primary Examiner* — Cynthia R Underwood

(56) **References Cited**

U.S. PATENT DOCUMENTS

497,940 A \* 5/1893 Bacon ..... A47G 19/2266  
220/703  
1,543,209 A \* 6/1925 Fulton ..... A61J 7/0046  
604/78  
D197,245 S \* 12/1963 Bateson ..... D7/543  
D249,110 S \* 8/1978 Newmark ..... D7/509  
D373,932 S \* 9/1996 Onneweer ..... D7/315  
D471,406 S \* 3/2003 Wellner ..... D7/503  
D481,594 S 11/2003 Roehrig  
D484,363 S \* 12/2003 de Groote ..... D7/543  
D538,599 S \* 3/2007 Miller ..... D7/586  
D550,041 S \* 9/2007 Rush ..... D7/500  
D560,975 S \* 2/2008 Luft ..... D7/543  
D565,357 S \* 4/2008 Chan ..... D7/505  
D580,799 S \* 11/2008 Curtin ..... D10/46.2  
D589,753 S \* 4/2009 Williams ..... D7/543  
D589,754 S \* 4/2009 Williams ..... D7/543  
D598,238 S \* 8/2009 Durdon ..... D7/354

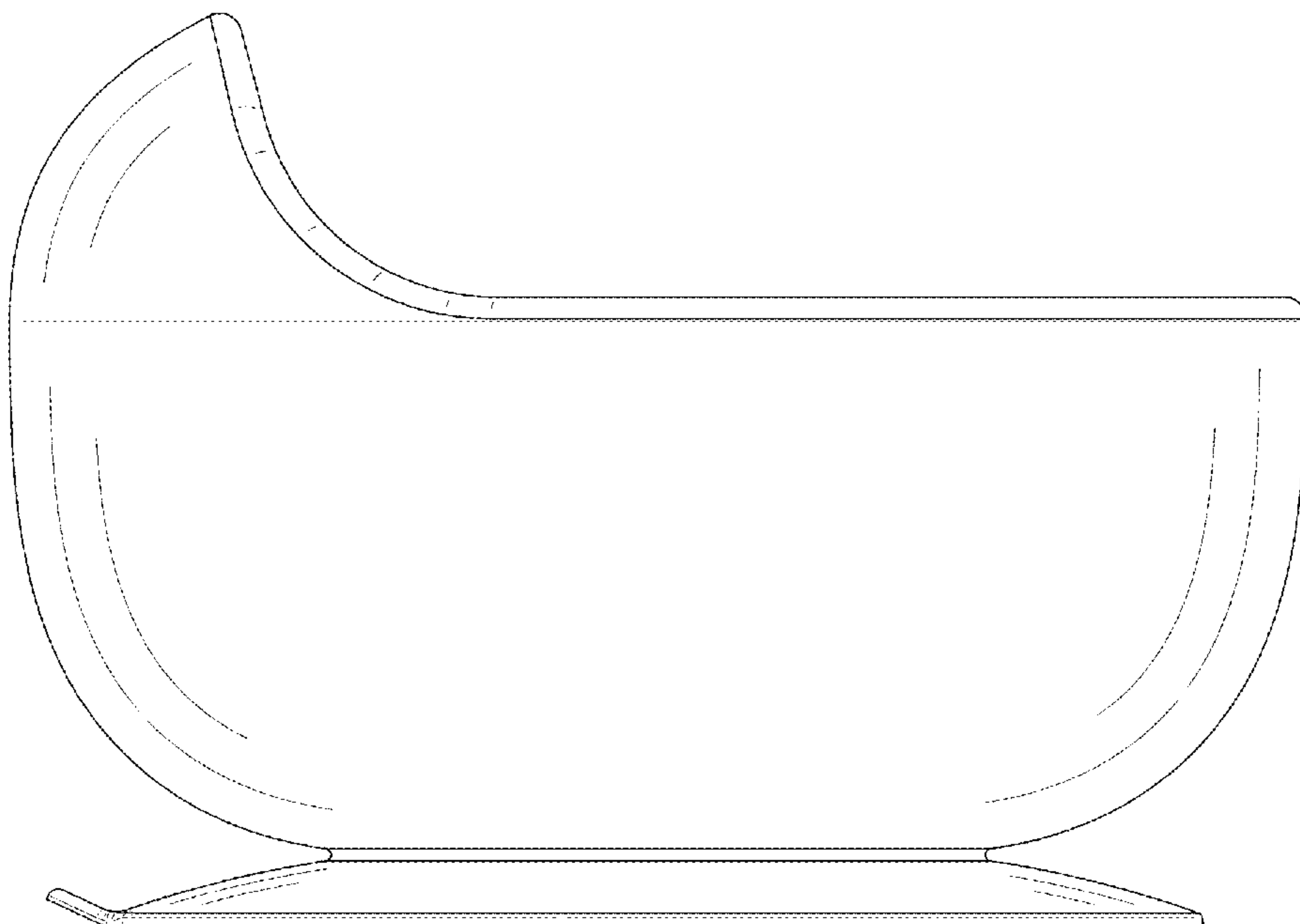
(57) **CLAIM**

The ornamental design for a bowl, as shown and described.

**DESCRIPTION**

FIG. 1 is a perspective view of a bowl showing my new design;  
FIG. 2 is another perspective view thereof;  
FIG. 3 is a front elevational view thereof;  
FIG. 4 is a rear elevational view thereof;  
FIG. 5 is a left side elevational view thereof;  
FIG. 6 is a right side elevational view thereof;  
FIG. 7 is a top plan view thereof; and,  
FIG. 8 is a bottom plan view thereof.

**1 Claim, 8 Drawing Sheets**



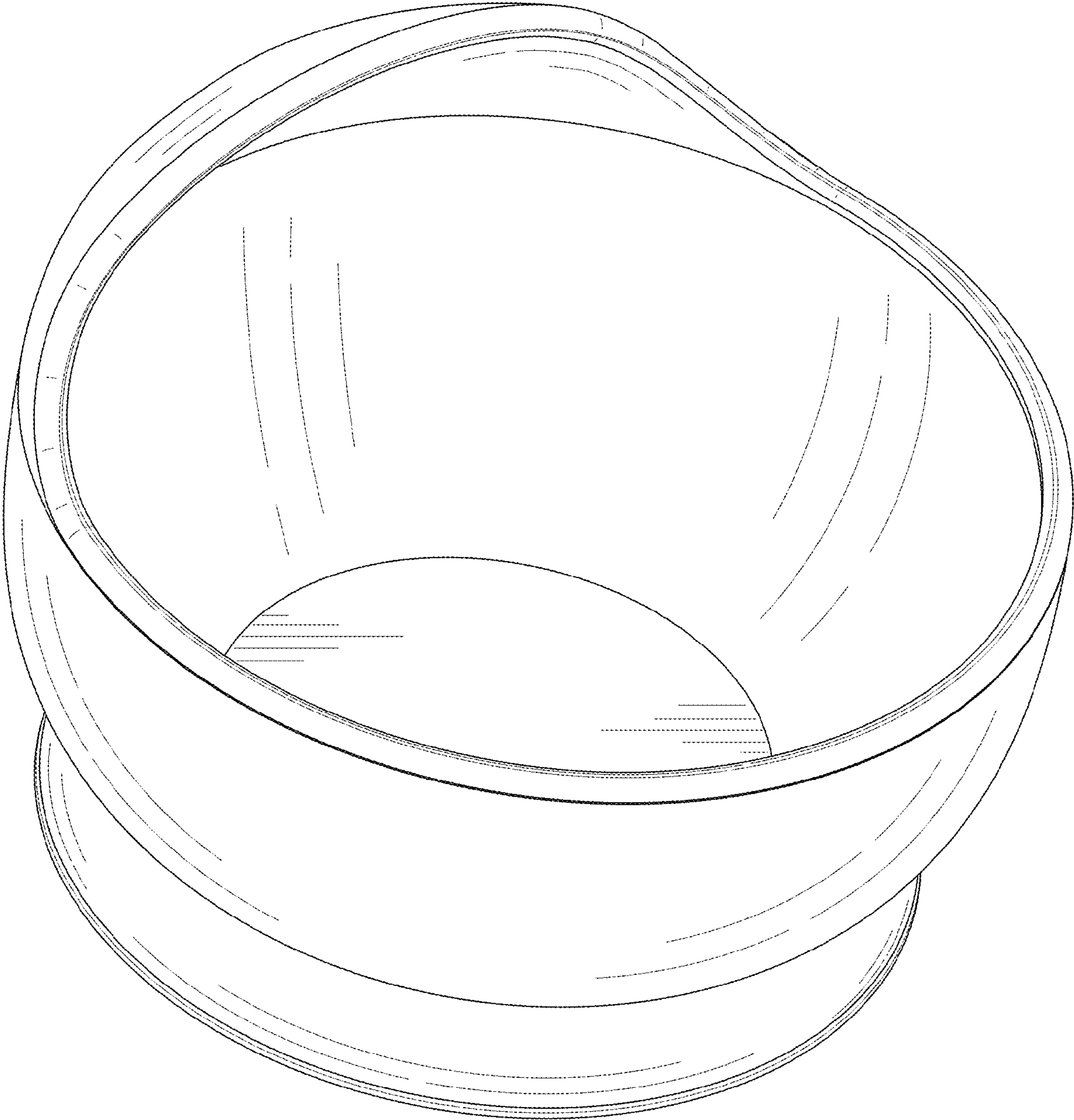


FIG. 1

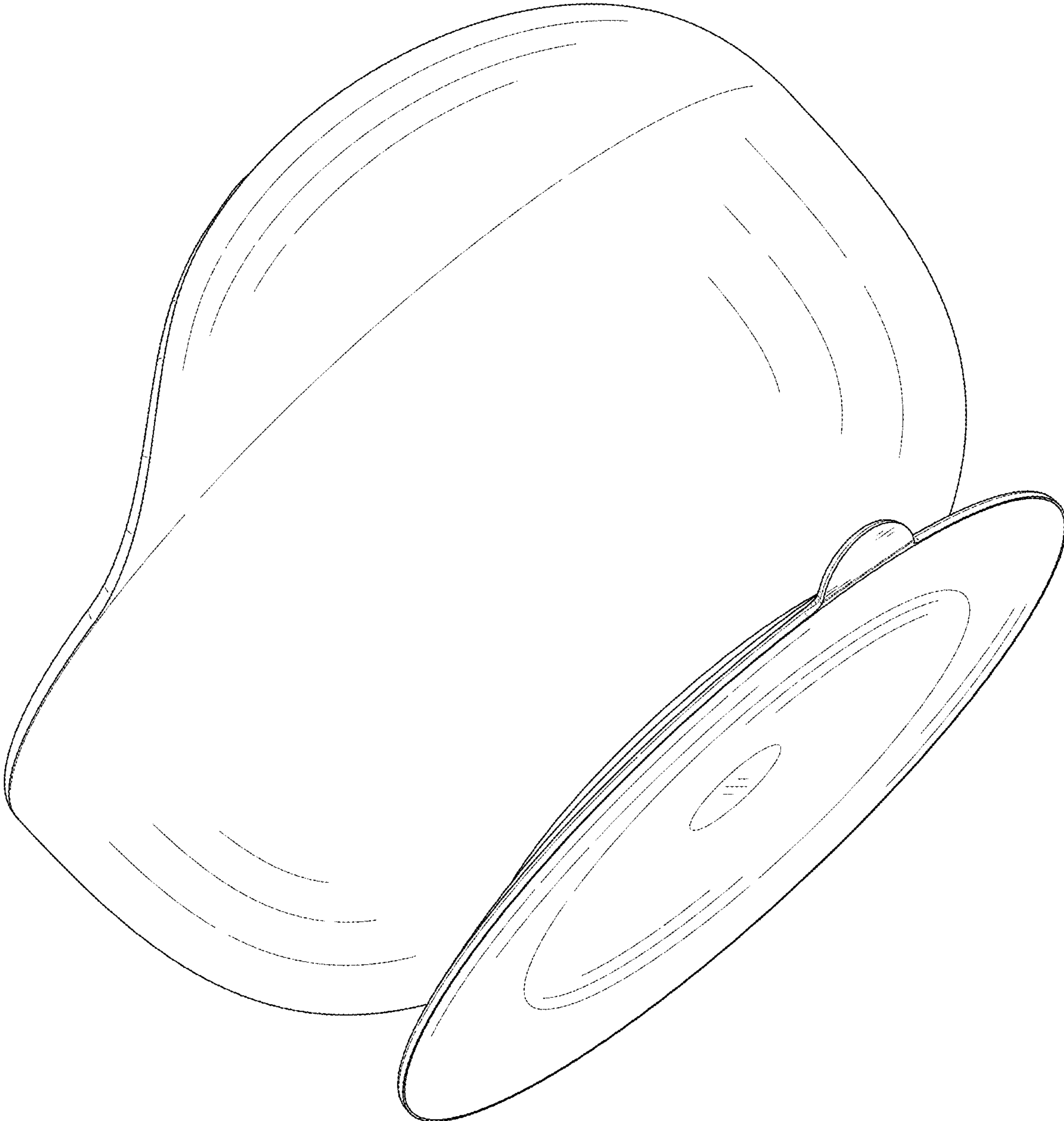


FIG. 2

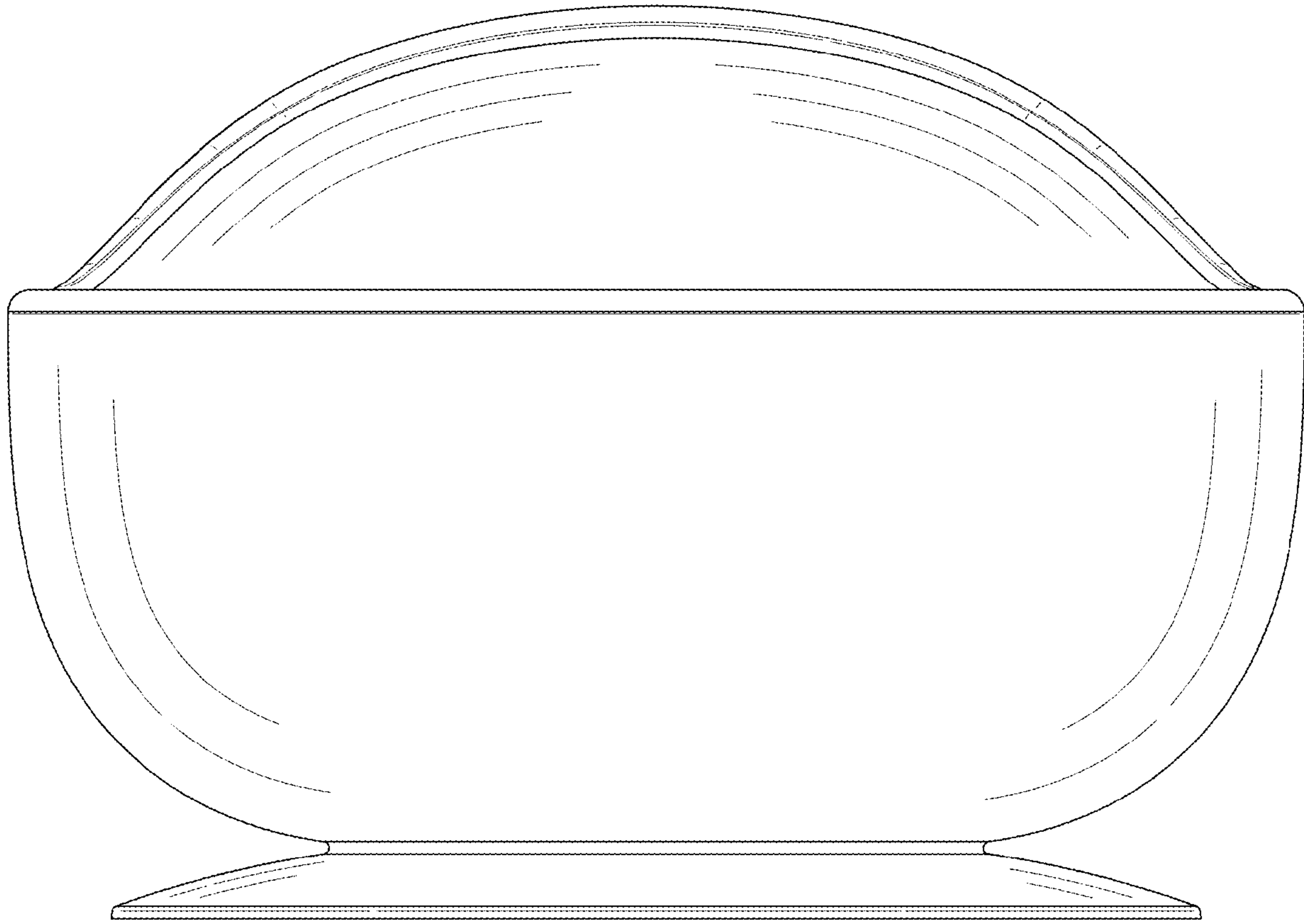


FIG. 3

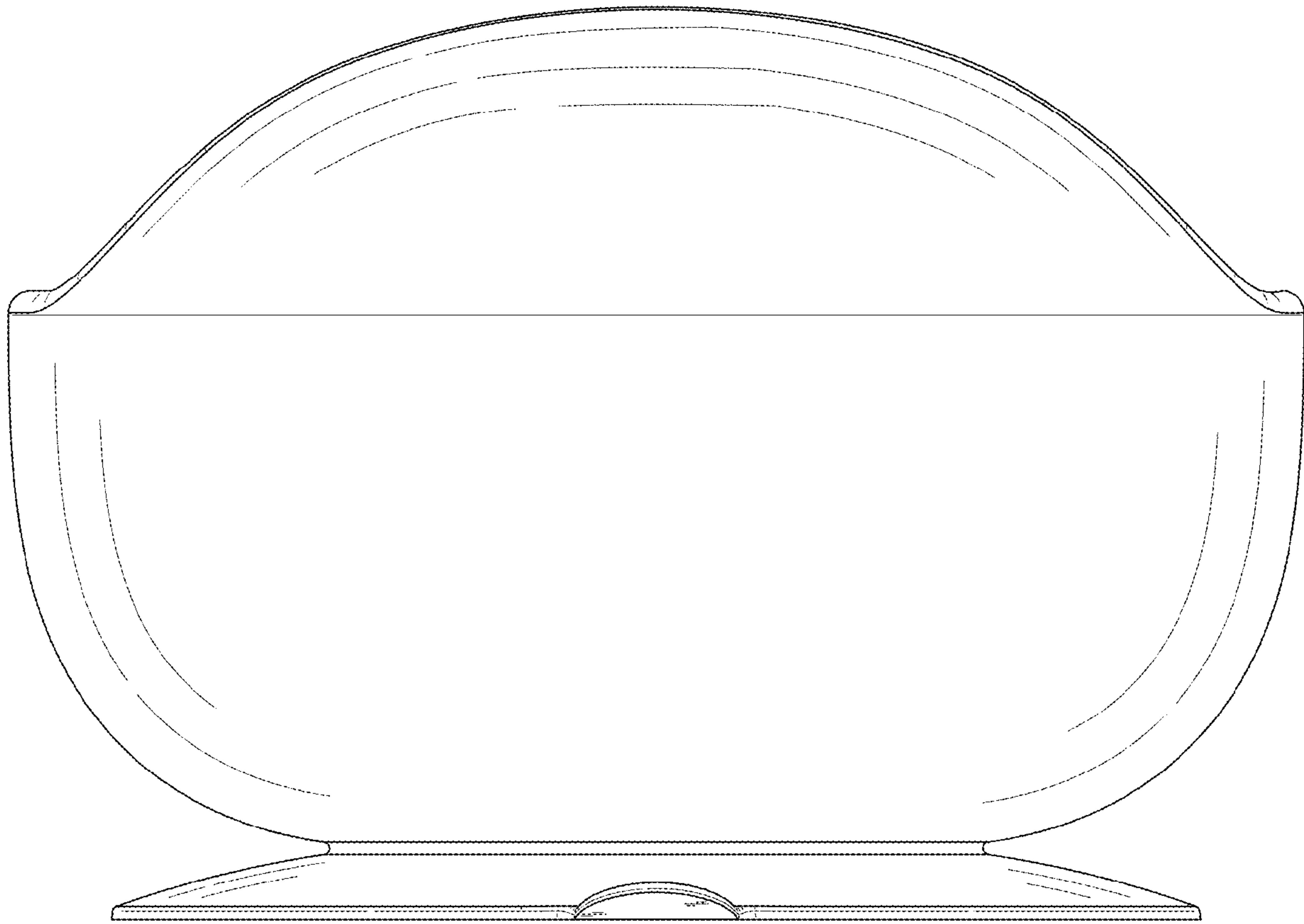


FIG. 4



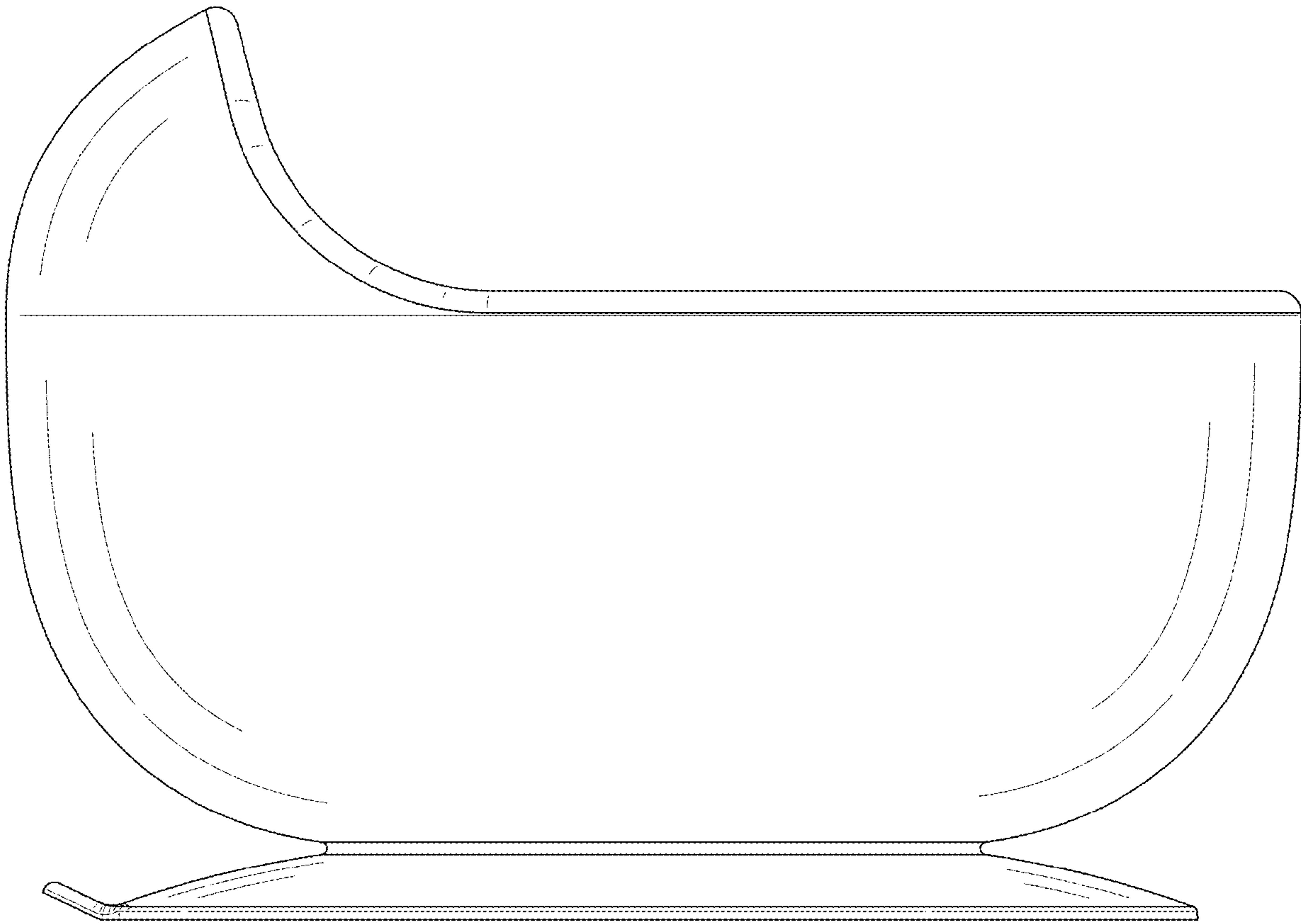


FIG. 5

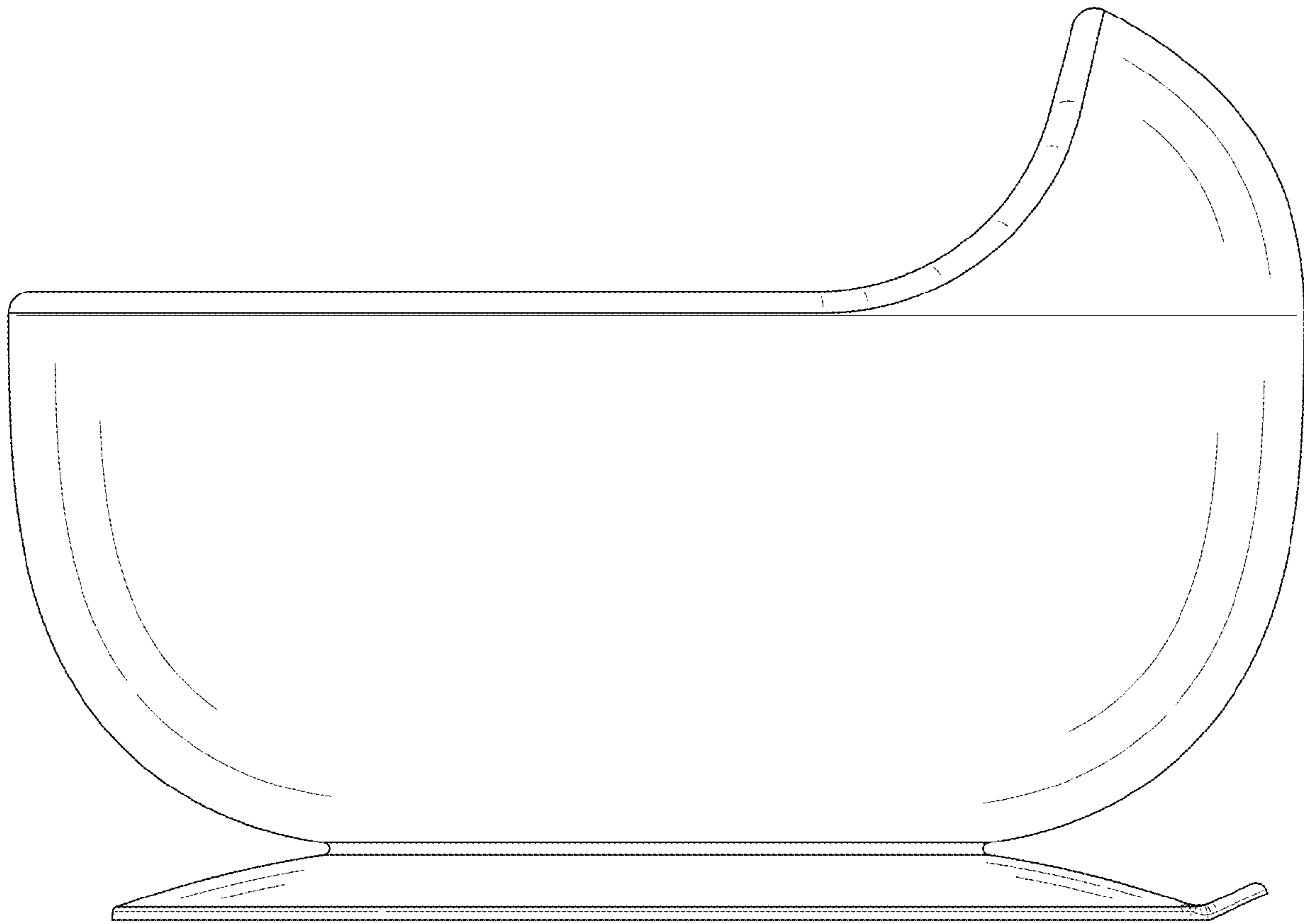


FIG. 6

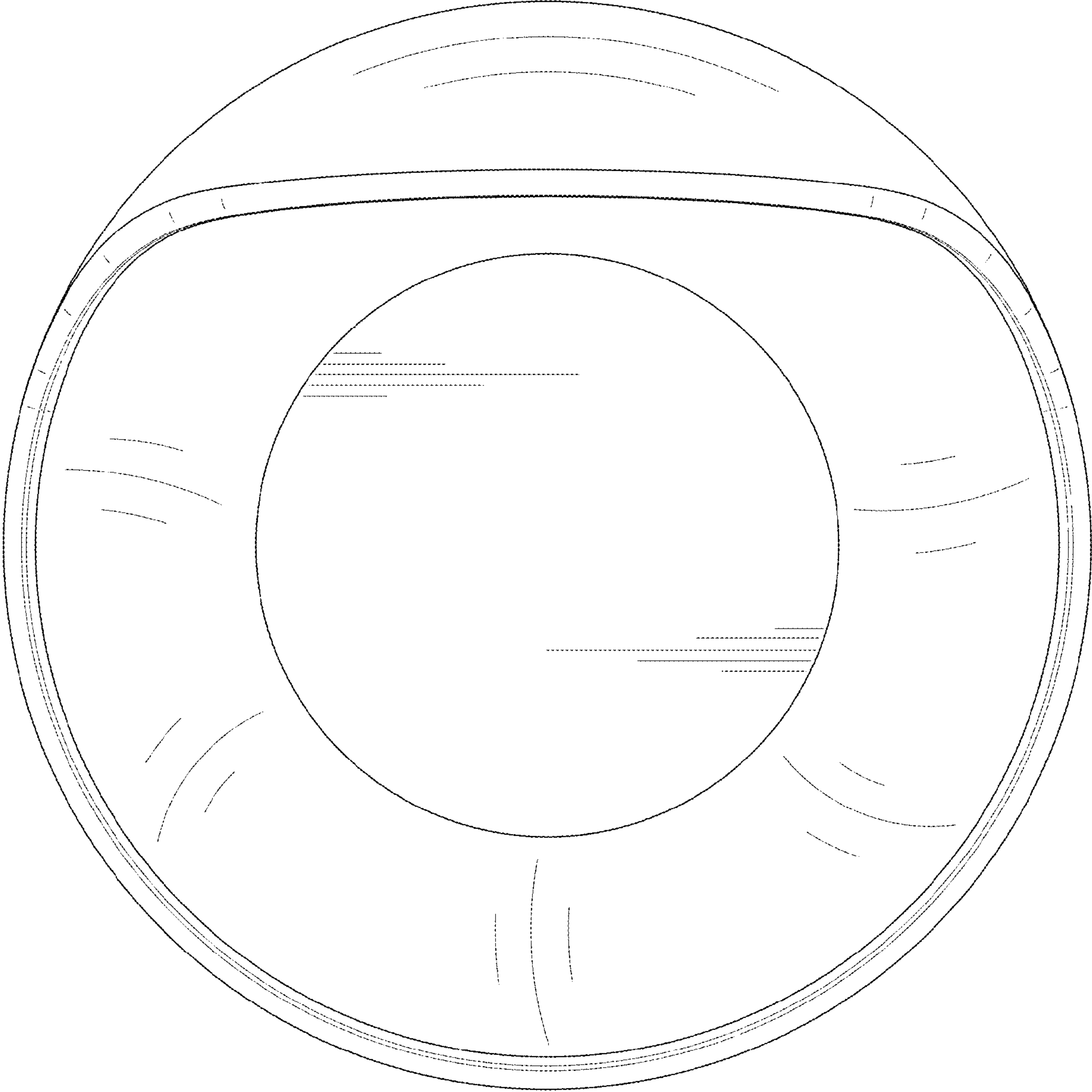


FIG. 7



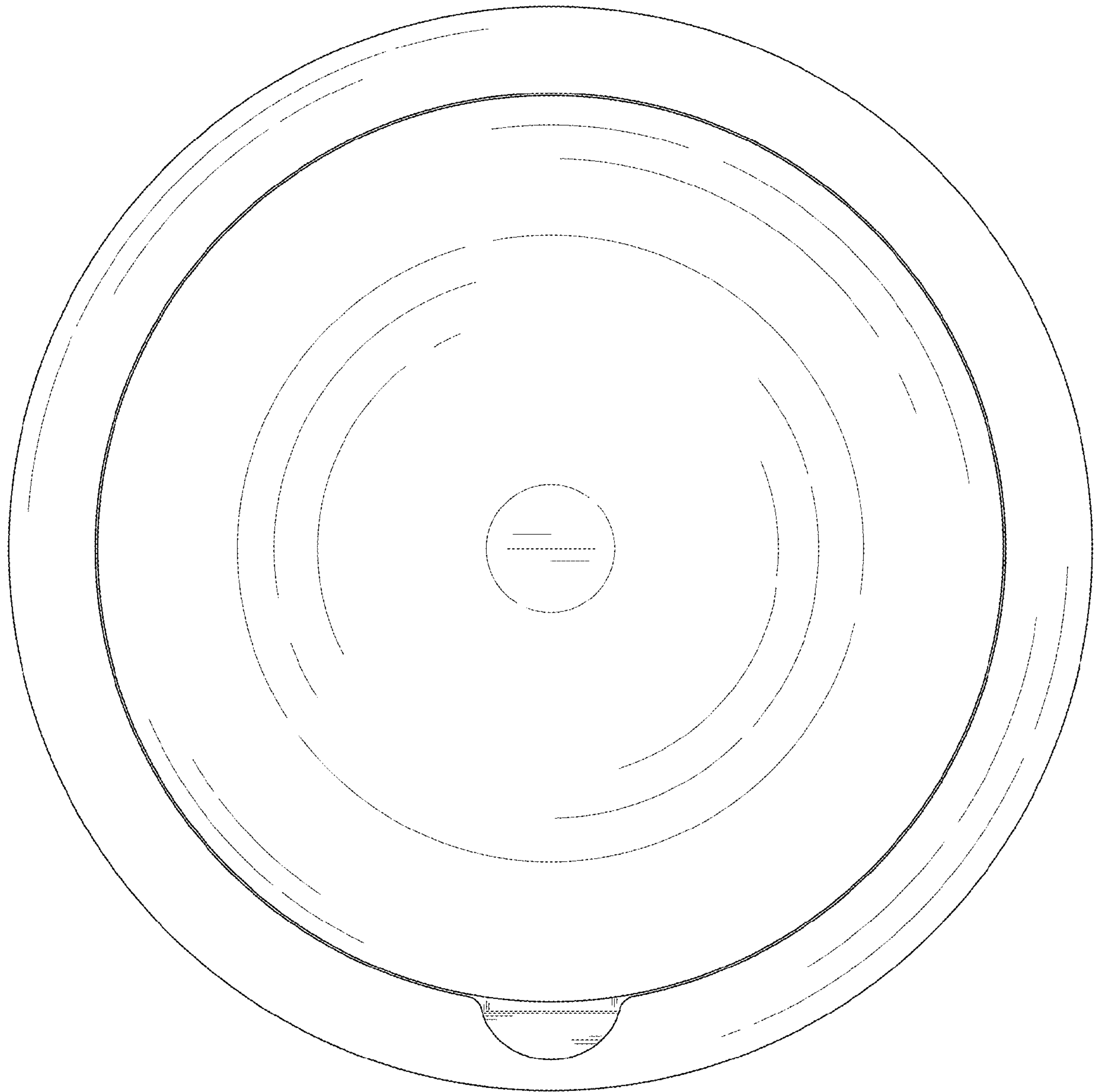


FIG. 8