



US00D939892S

(12) **United States Design Patent**
He

(10) **Patent No.:** **US D939,892 S**

(45) **Date of Patent:** **** Jan. 4, 2022**

(54) **NOODLE MACHINE**

(71) Applicant: **Mingkui He**, Wuhan (CN)

(72) Inventor: **Mingkui He**, Wuhan (CN)

(**) Term: **15 Years**

(21) Appl. No.: **29/752,460**

(22) Filed: **Sep. 28, 2020**

(51) **LOC (13) Cl.** **31-00**

(52) **U.S. Cl.**
USPC **D7/412**

(58) **Field of Classification Search**

USPC D7/337, 362, 372, 376–386, 388,
D7/412–413, 602, 629, 665–666, 669,
D7/679, 693–694; D14/496

CPC A21C 1/02; A21C 1/04; A23N 1/00; A23N
1/02; A47J 43/04; A47J 43/25; A47J
43/27; A47J 43/042; A47J 43/044; A47J
43/046; A47J 43/075; A47J 43/0722;
A47J 43/0727; B01F 3/00; B01F 3/0807;
B01F 3/0853; B01F 13/0059; B01F
13/0064; B02C 1/08; B02C 2/04; B02C
4/42; B02C 4/142; B02C 4/143; B02C
4/423; B02C 13/1835; B28C 5/10; B28C
5/12; B28C 5/14; B28C 5/16

See application file for complete search history.

(56) **References Cited**

U.S. PATENT DOCUMENTS

D521,798 S * 5/2006 Wright D7/337
D692,921 S * 11/2013 Akana D14/496

D736,029 S * 8/2015 Huber D7/362
D782,868 S * 4/2017 Lien D7/388
D784,064 S * 4/2017 Hebert, Jr D7/337
D809,853 S 2/2018 Zhang
D819,387 S * 6/2018 Stein D7/337
D906,051 S * 12/2020 Xie D7/412

OTHER PUBLICATIONS

ANTREE Pasta Maker. Date First reviewed on Amazon.com Nov. 22, 2019. <https://www.amazon.com/ANTREE-Pasta-Attachment-KitchenAid-Fettuccine/dp/B081WXKNGC/ref> (Year: 2019).*

* cited by examiner

Primary Examiner — Ricky Pham

(57) **CLAIM**

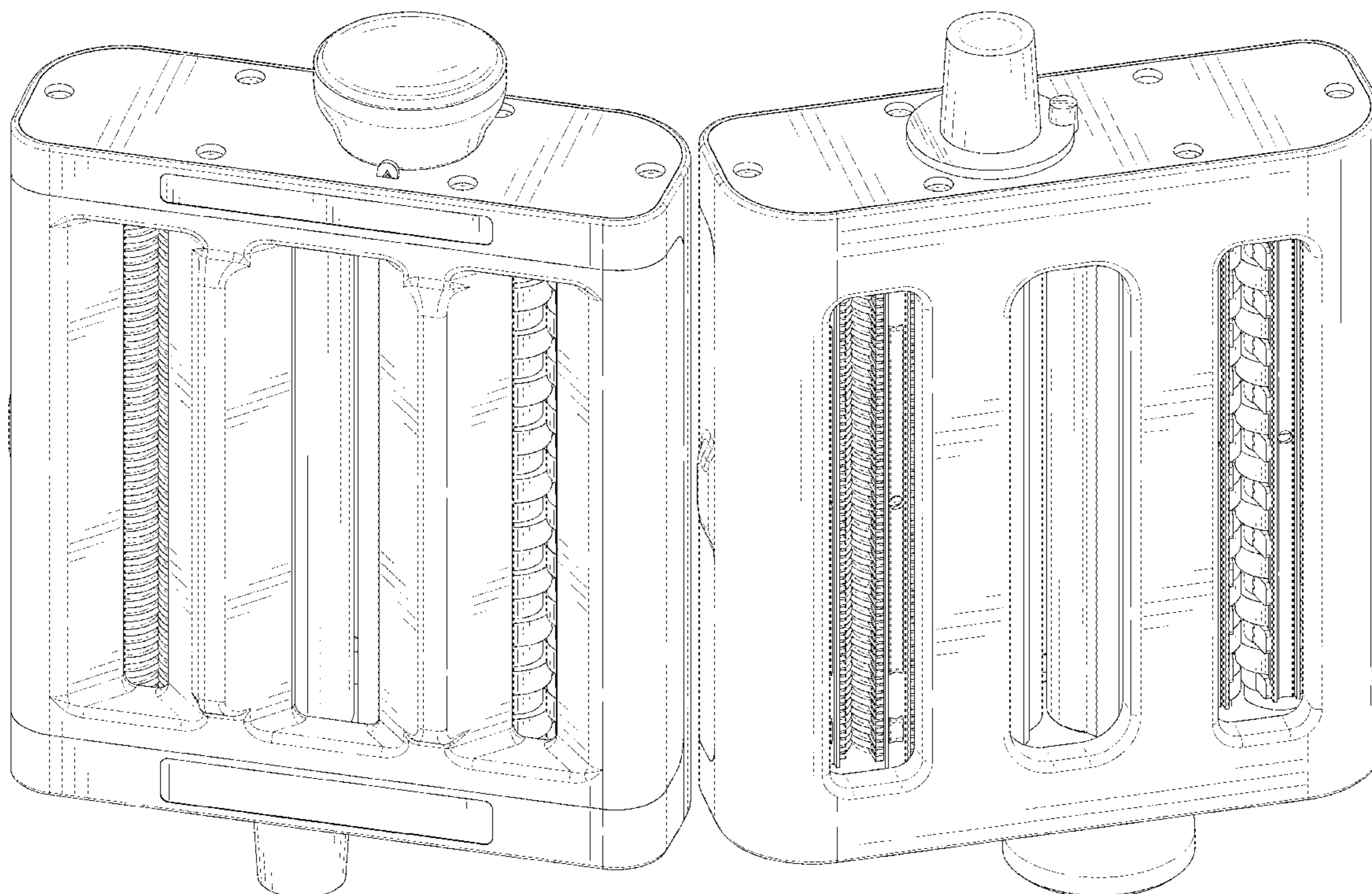
The ornamental design for a noodle machine, as shown and described.

DESCRIPTION

FIG. 1 is a front and top perspective view of a noodle machine, showing my new design;
FIG. 2 is a rear and bottom perspective view thereof;
FIG. 3 is a front elevational view thereof;
FIG. 4 is a rear elevational view thereof;
FIG. 5 is a left side devotional view thereof;
FIG. 6 is a right side elevational view thereof;
FIG. 7 is a top plan view thereof; and,
FIG. 8 is a bottom plan view thereof.

The broken lines in the figures illustrate portions of the noodle machine that form no part of the claimed design.

1 Claim, 8 Drawing Sheets



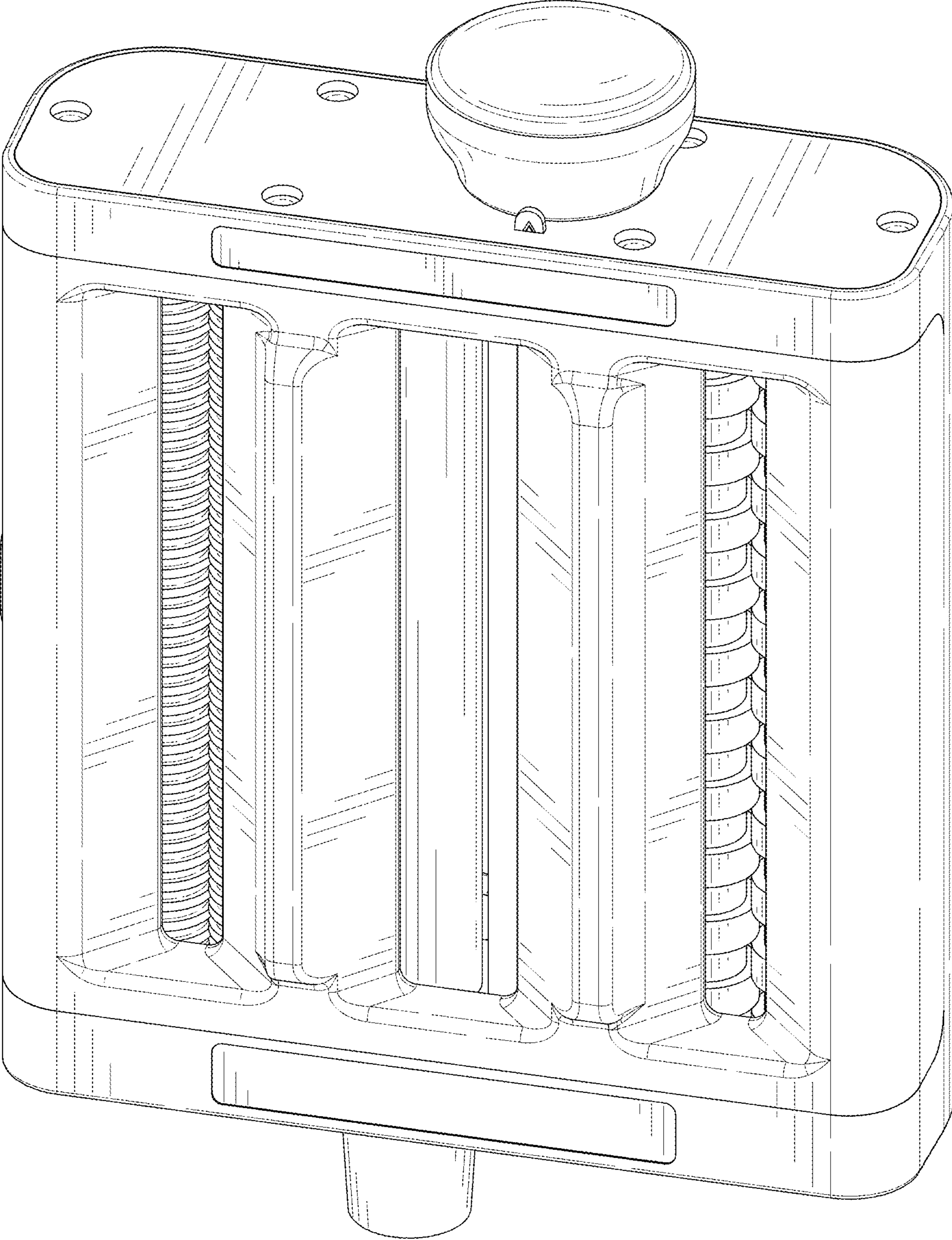


FIG. 1

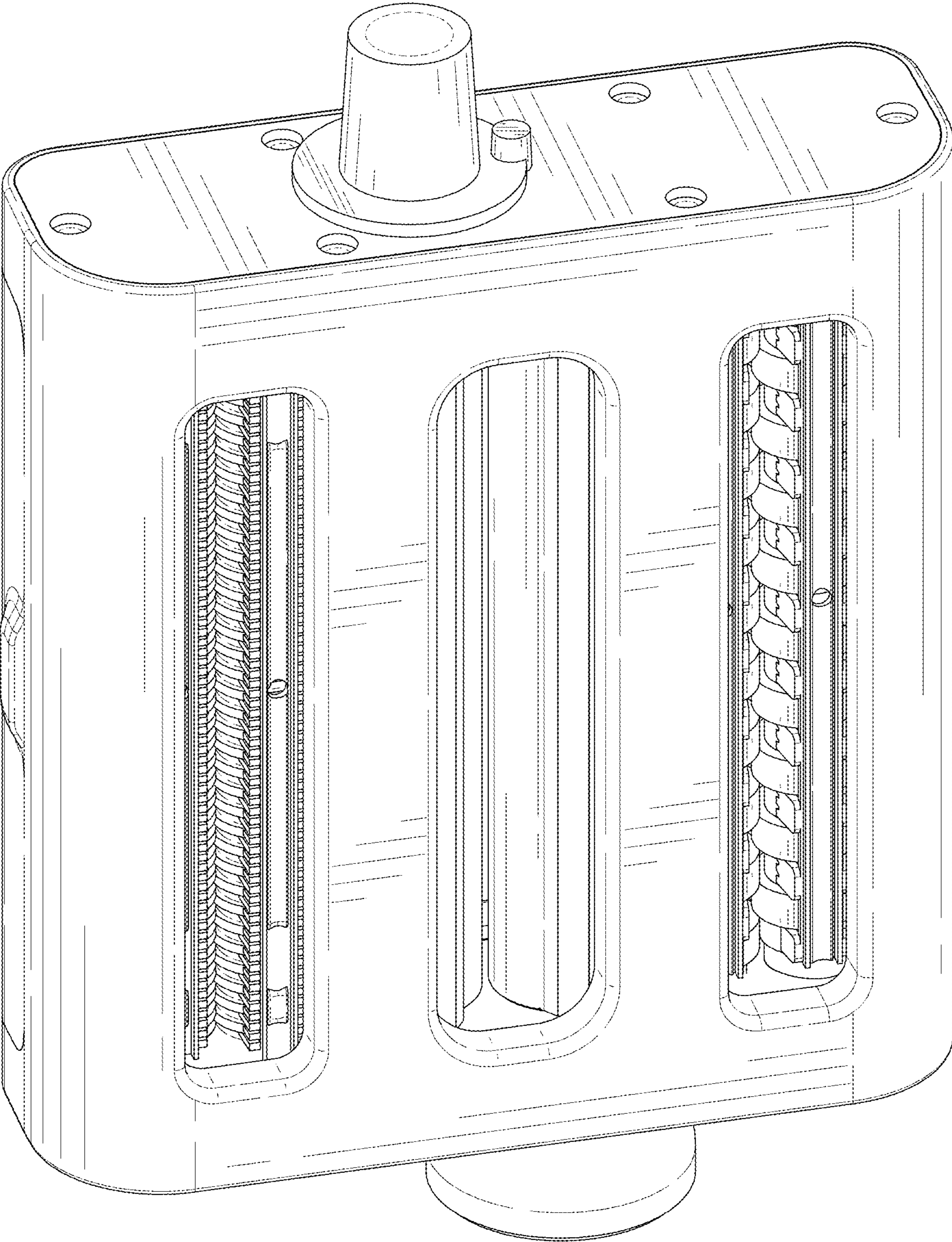


FIG. 2

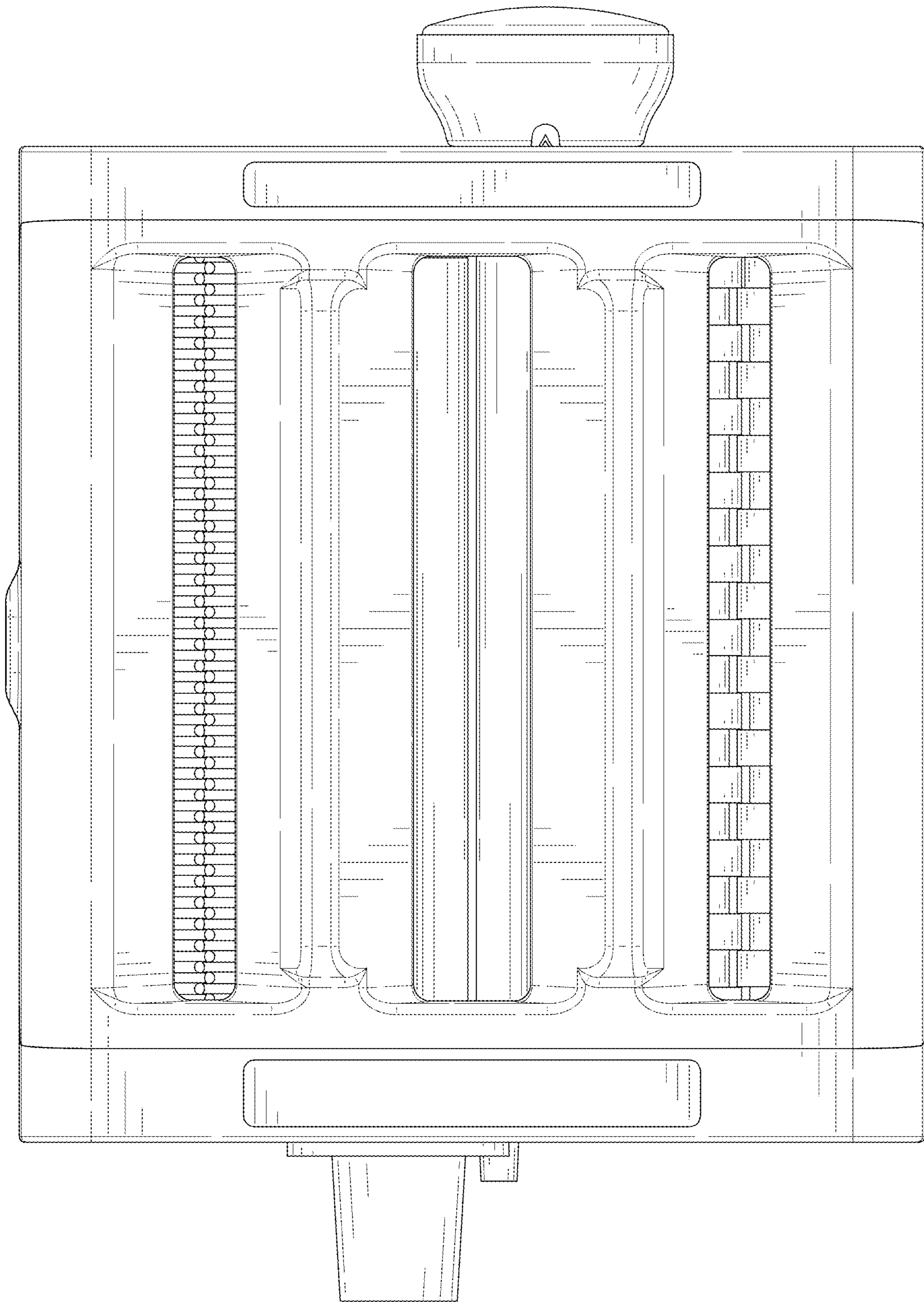


FIG. 3

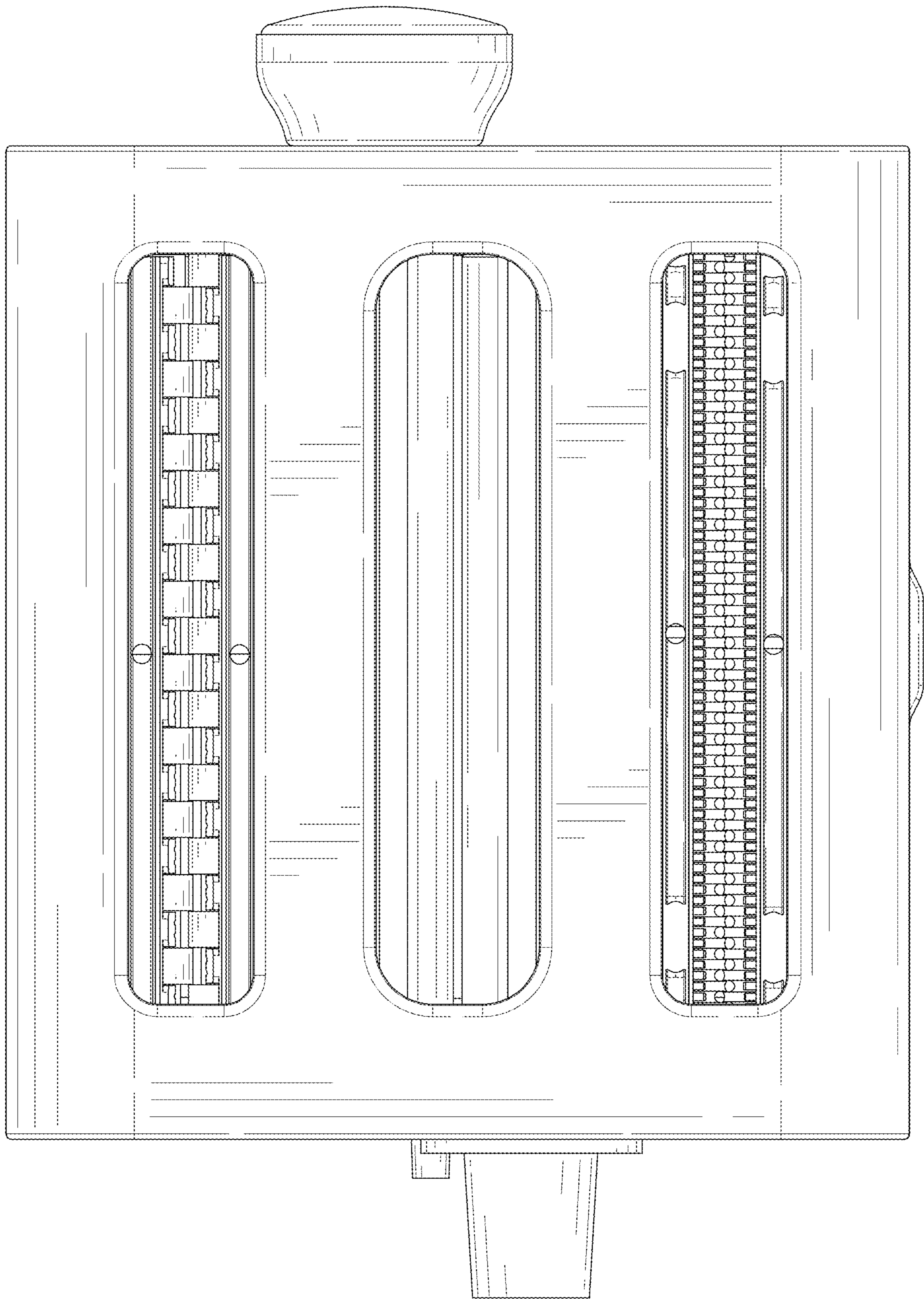


FIG. 4

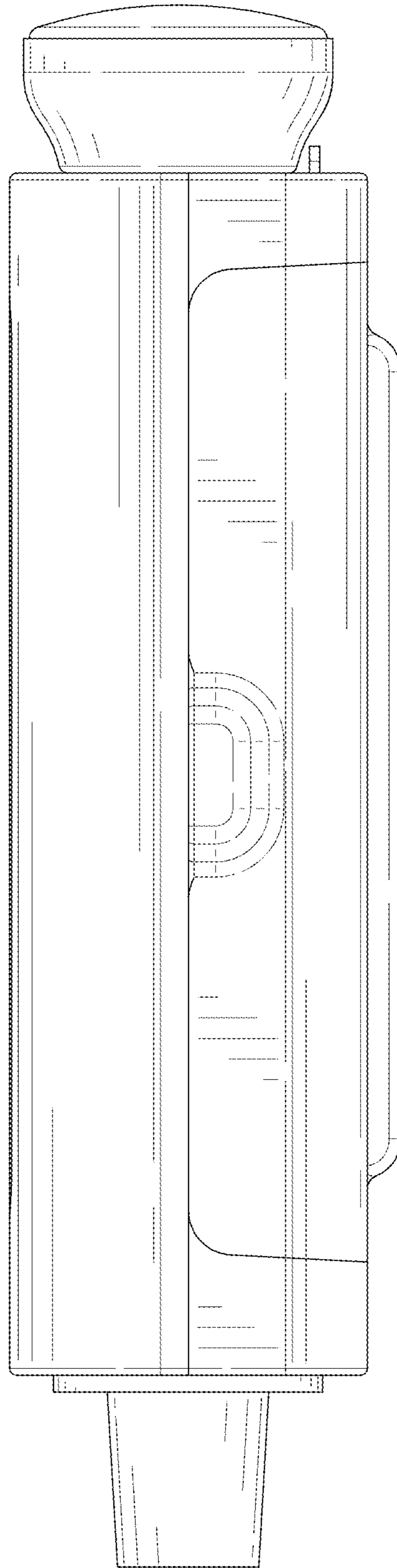


FIG. 5

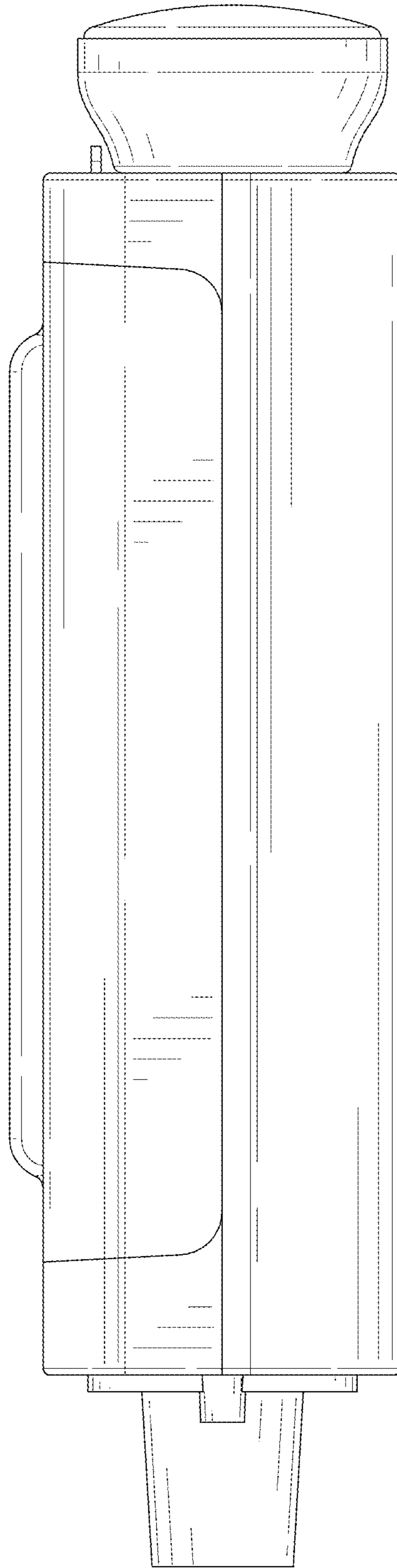


FIG. 6

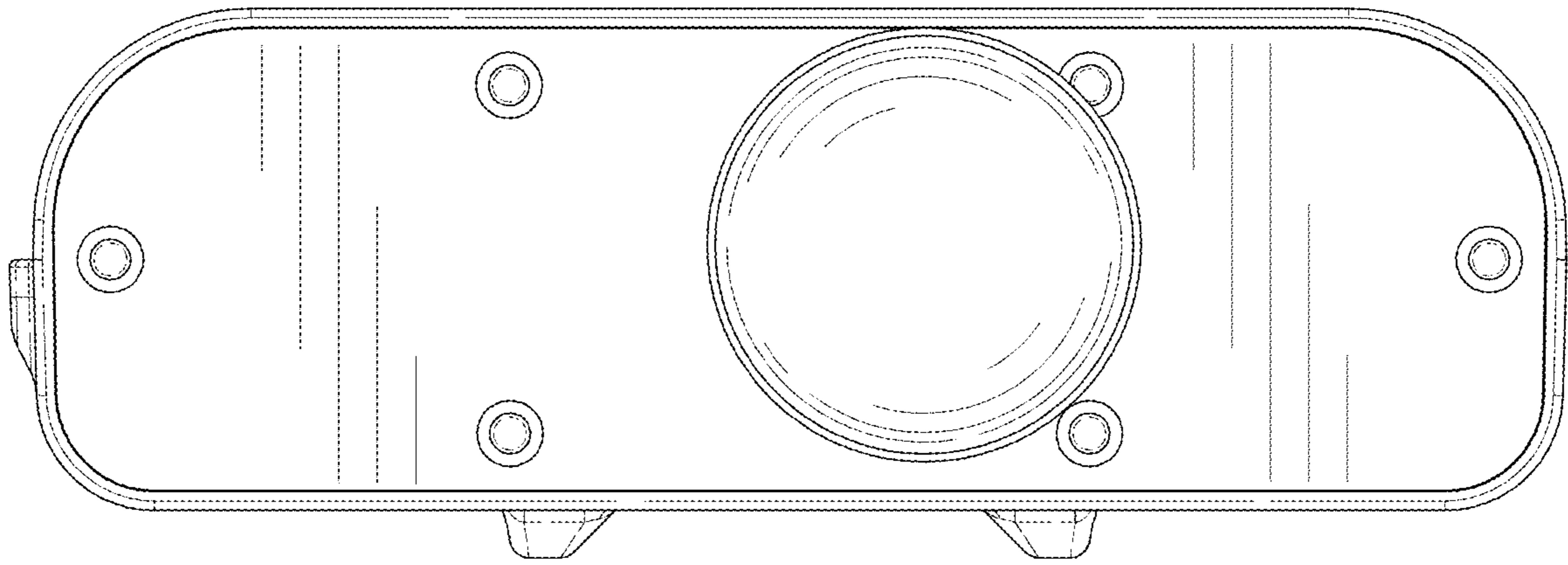


FIG. 7

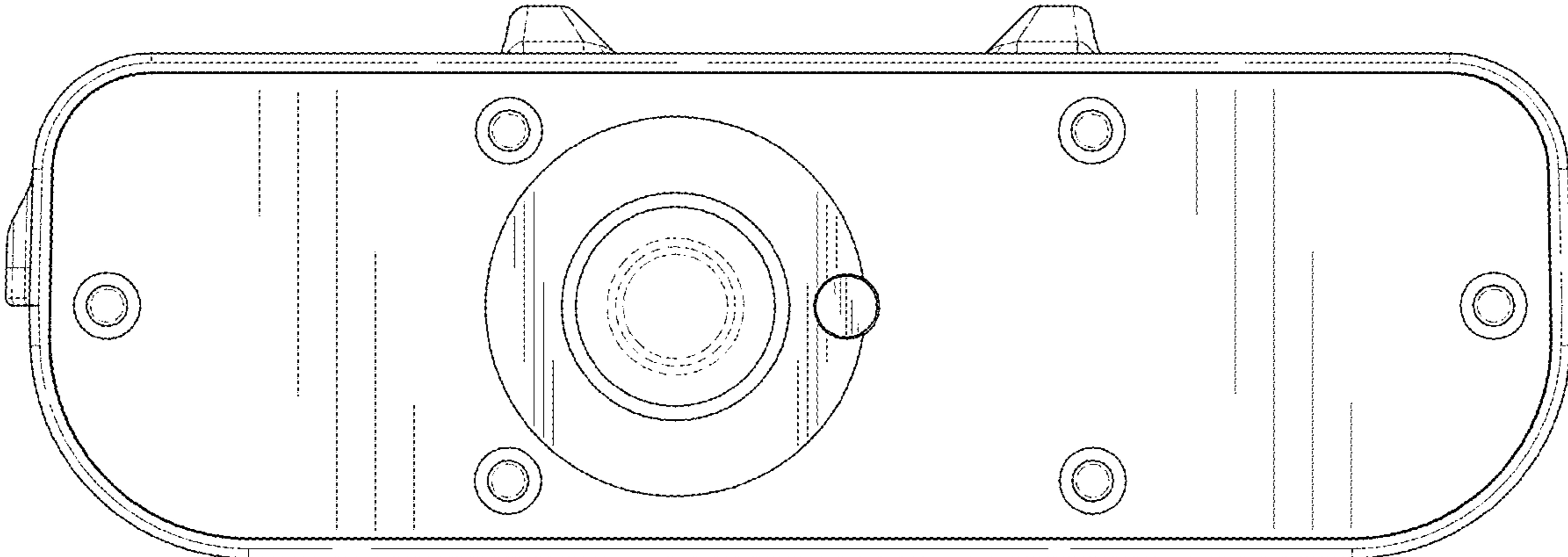


FIG. 8