

US00D939890S

(12) **United States Design Patent** (10) **Patent No.:** **US D939,890 S**
Sasena et al. (45) **Date of Patent:** **** Jan. 4, 2022**

(54) **BEVERAGE CARTRIDGE**

(71) Applicant: **Keurig Green Mountain, Inc.,**
Burlington, MA (US)

(72) Inventors: **Robert John Sasena**, Acton, MA (US);
Elaine Marie Duffy, Arlington, MA
(US); **Kin Chung Choi**, Hong Kong
(CN)

(73) Assignee: **Keurig Green Mountain, Inc.,**
Burlington, MA (US)

(**) Term: **15 Years**

(21) Appl. No.: **29/711,754**

(22) Filed: **Nov. 1, 2019**

(51) **LOC (13) Cl.** **07-02**

(52) **U.S. Cl.**
USPC **D7/400**

(58) **Field of Classification Search**

USPC D7/300, 316, 387, 397, 399, 400, 401,
D7/500, 533, 536, 560-565, 584, 585,
D7/590, 600.1, 600.2, 600.4, 601, 602,
D7/607, 608, 619.1, 667, 700, 704;
D6/677, 677.5, 680, 682; D8/354, 382,
D8/396; D9/416, 424, 425, 427-429,
D9/438, 443, 454, 500, 516, 520, 418;
D19/90; D23/213, 259, 262; D24/224;
D3/306, 309, 310, 313

CPC .. A47J 31/00; A47J 31/02; A47J 31/06; A47J
31/0605; A47J 31/061; A47J 31/0636;
A47J 31/0642; A47J 31/0663; A47J
31/0668; A47J 31/0689; A47J 31/08;
A47J 31/20; A47J 31/44; A47J
2031/0694; B65D 85/8043; B65D
85/8046

See application file for complete search history.

(56) **References Cited**

U.S. PATENT DOCUMENTS

D32,223 S * 2/1900 Sutton D7/387
D255,313 S * 6/1980 Elkerbout D7/400

D356,008 S * 3/1995 Reiger D7/388
D457,388 S * 5/2002 Milroy D7/213
D474,997 S * 5/2003 Berzack D11/222
D571,623 S * 6/2008 Loving D7/608

(Continued)

FOREIGN PATENT DOCUMENTS

CN 104095543 A 10/2014

OTHER PUBLICATIONS

Keurig My K-Cup Universal Reusable K-Cup Pod Coffee Filter, first available Oct. 16, 2017, Amazon, [online], [site visited Apr. 14, 2021], Available from internet URL: <https://www.amazon.com/Keurig-Universal-Reusable-Ground-Compatible/dp/B0737B6HGR> (Year: 2017).*

Keurig My K-Cup Universal Reusable Filter, first available Nov. 20, 2020, Amazon, [online], [site visited Apr. 14, 2021], Available from internet URL: <https://www.amazon.com/Keurig-Universal-Reusable-MultiStream-Technology/dp/B08DHC73P6> (Year: 2020).*

(Continued)

Primary Examiner — Mary Ann Calabrese

Assistant Examiner — Natalya M Rapundalo

(74) *Attorney, Agent, or Firm* — Pizarro Allen PC

(57) **CLAIM**

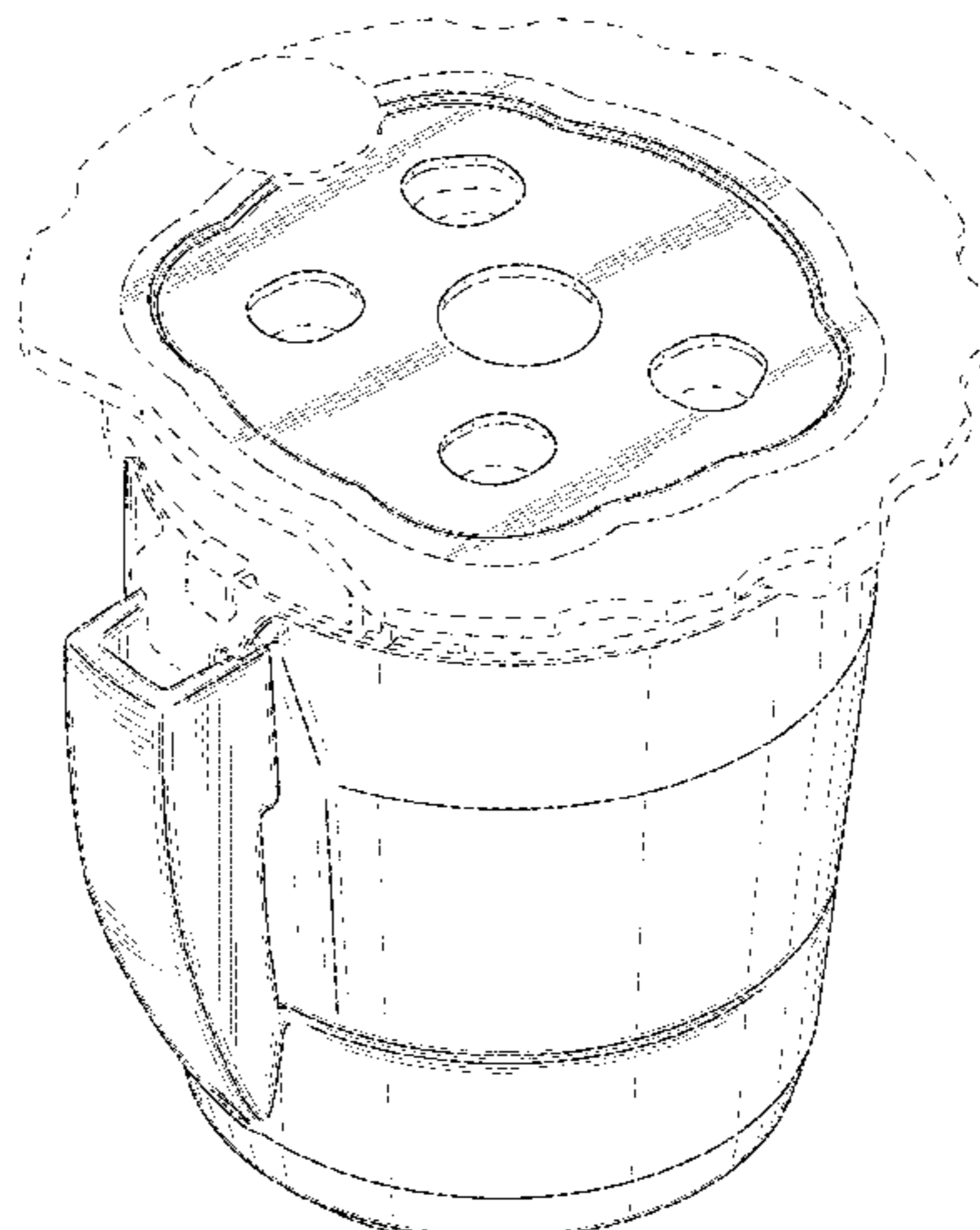
The ornamental design for a beverage cartridge, as shown and described.

DESCRIPTION

FIG. 1 is a top, front, and right side perspective view of a beverage cartridge showing our new design; FIG. 2 is a right side elevation view thereof; FIG. 3 is a front elevation view thereof; FIG. 4 is a left side elevation view thereof; FIG. 5 is a rear elevation view thereof; FIG. 6 is a top plan view thereof; and, FIG. 7 is a bottom plan view thereof.

The dot-dash broken lines illustrate boundaries of the claim and form no part of the claimed design. The dash-dash broken lines illustrate portions of the beverage cartridge that form no part of the claimed design.

1 Claim, 7 Drawing Sheets



(56)

References Cited

U.S. PATENT DOCUMENTS

D645,344 S *	9/2011	Liebowitz	D9/435
D723,329 S *	3/2015	Dakis	D7/400
D723,868 S *	3/2015	Hertaus	D7/400
D747,139 S *	1/2016	Rondelli	D7/400
D764,226 S *	8/2016	Ming	D7/400
D767,331 S *	9/2016	Burrows	D7/400
D787,152 S *	5/2017	Huthmaker	D1/128
D789,198 S	6/2017	Ngo et al.	
D791,534 S *	7/2017	Bueno	D7/400
D800,497 S *	10/2017	Fedorak	D7/397
D804,946 S *	12/2017	White	D9/447
D842,032 S *	3/2019	Thomas	D7/400
D842,648 S	3/2019	Thomas et al.	
D860,724 S *	9/2019	Kassin	D7/400
D889,232 S *	7/2020	Qin	D8/71
D892,276 S *	8/2020	Meyers	D23/261
D896,626 S *	9/2020	Buckley	D8/396
D900,593 S *	11/2020	McKillips	D8/354
D910,371 S *	2/2021	Zhang	D7/400
2021/0127889 A1 *	5/2021	Sasena	A47J 31/0689

OTHER PUBLICATIONS

Design No. 306246844, Dec. 25, 2020—China National Intellectual Property Administration (CNIPA) Publication Date—Dec. 29, 2020
Owner—Keurig Green Mountain Inc., Designer—Luo Bote j sasaina et al. WIPO, available at <https://www3.wipo.int/designdb/en/index.jsp> (Year: 2020).*

Design No. 306254022, Dec. 29, 2020—China National Intellectual Property Administration (CNIPA) Publication Date—Dec. 25, 2020
Owner—Keurig Green Mountain Inc., Designer—Luo Bote j sasaina et al. WIPO, available at <https://www3.wipo.int/designdb/en/index.jsp> (Year: 2020).*

U.S. Appl. No. 29/711,752, filed Nov. 1, 2019, Sasena et al.

U.S. Appl. No. 29/711,753, filed Nov. 1, 2019, Sasena et al.

U.S. Appl. No. 29/711,717, filed Nov. 1, 2019, Sasena et al.

[No Author Listed] K200 My K-Cup Use and Care Guide, publicly available prior to Oct. 1, 2016, 1 page.

[No Author Listed] Photograph of Keurig My K-Cup 2.0, publicly available prior to Oct. 1, 2016, 1 page.

* cited by examiner

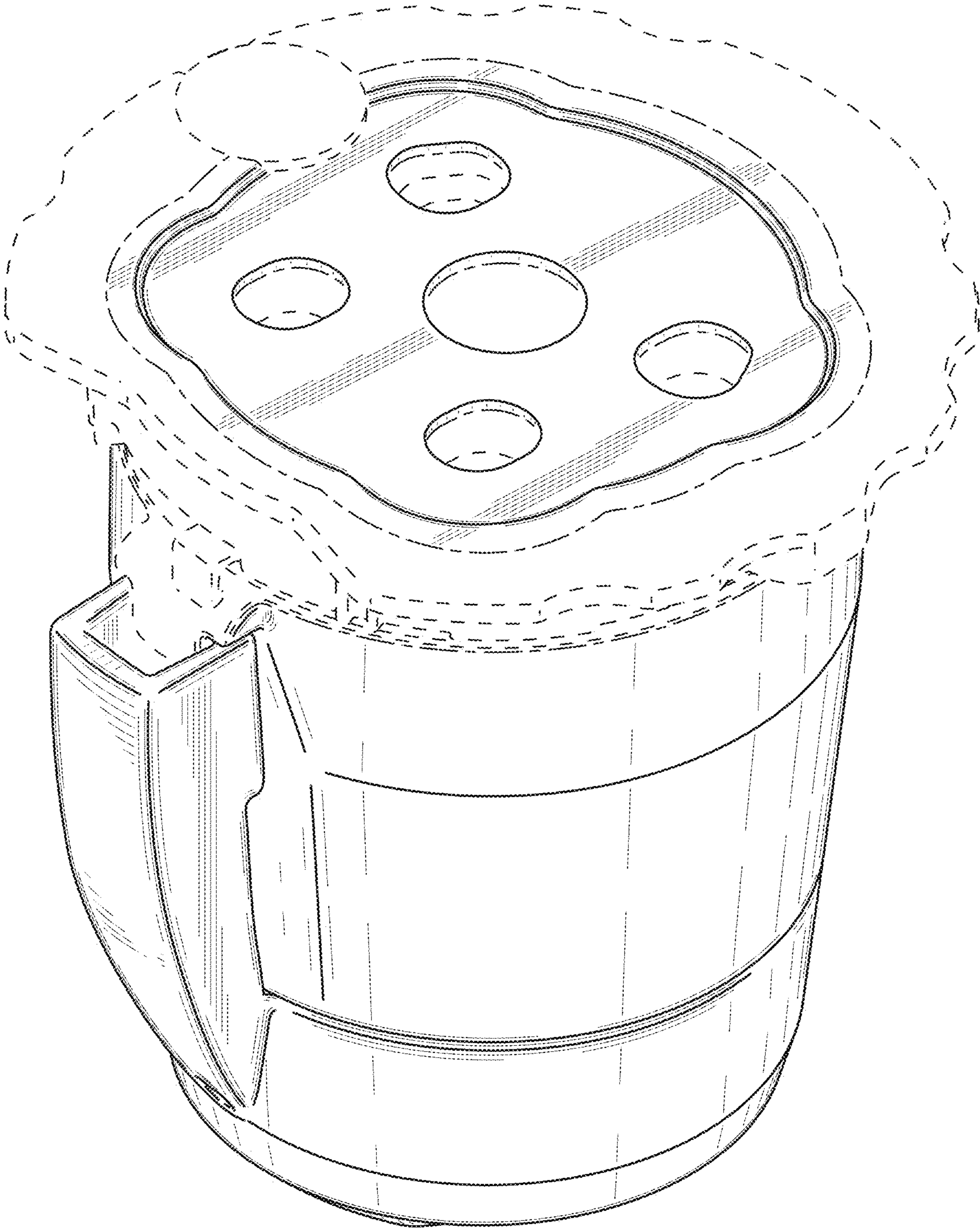


FIG. 1

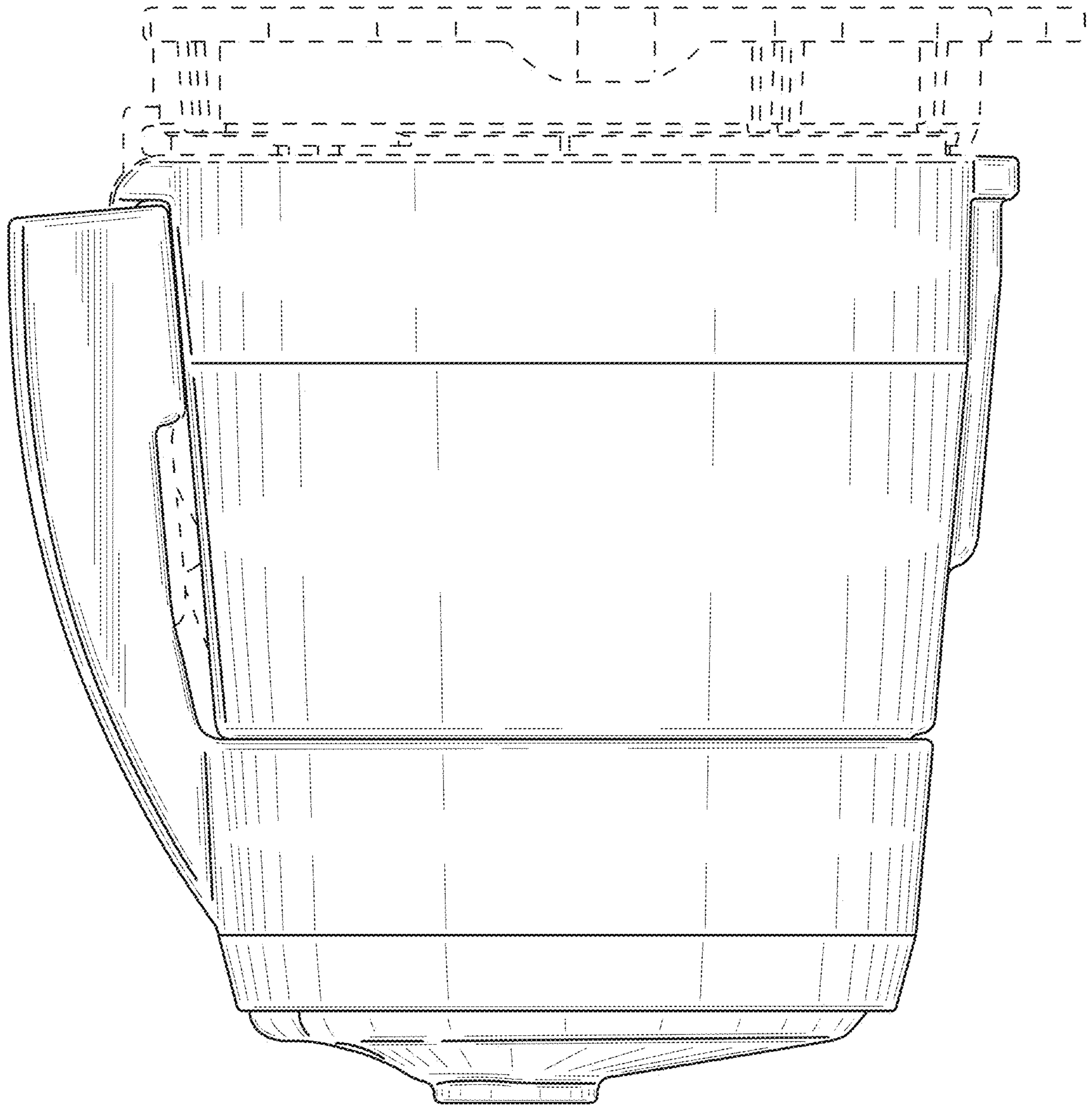


FIG. 2

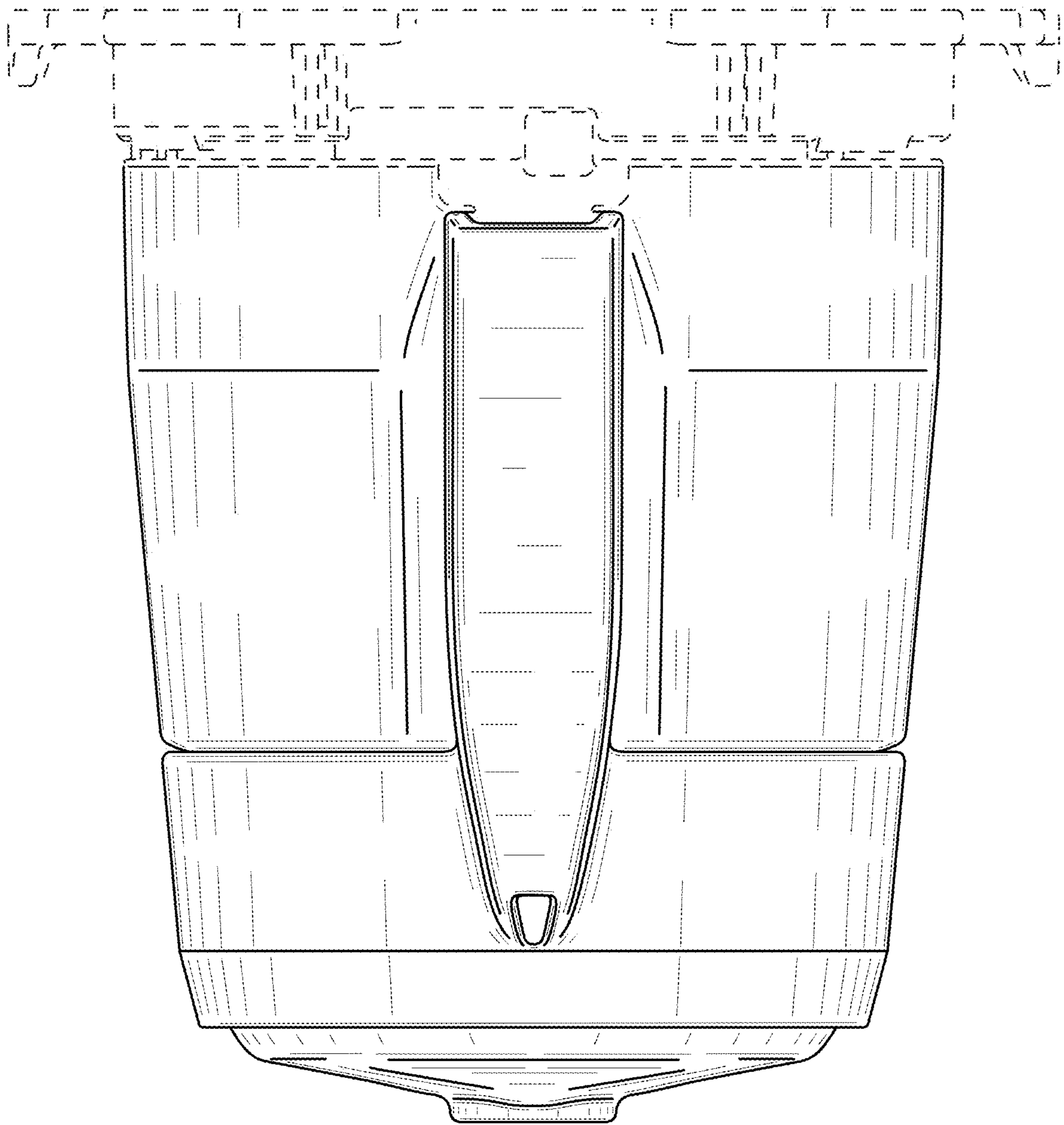


FIG. 3

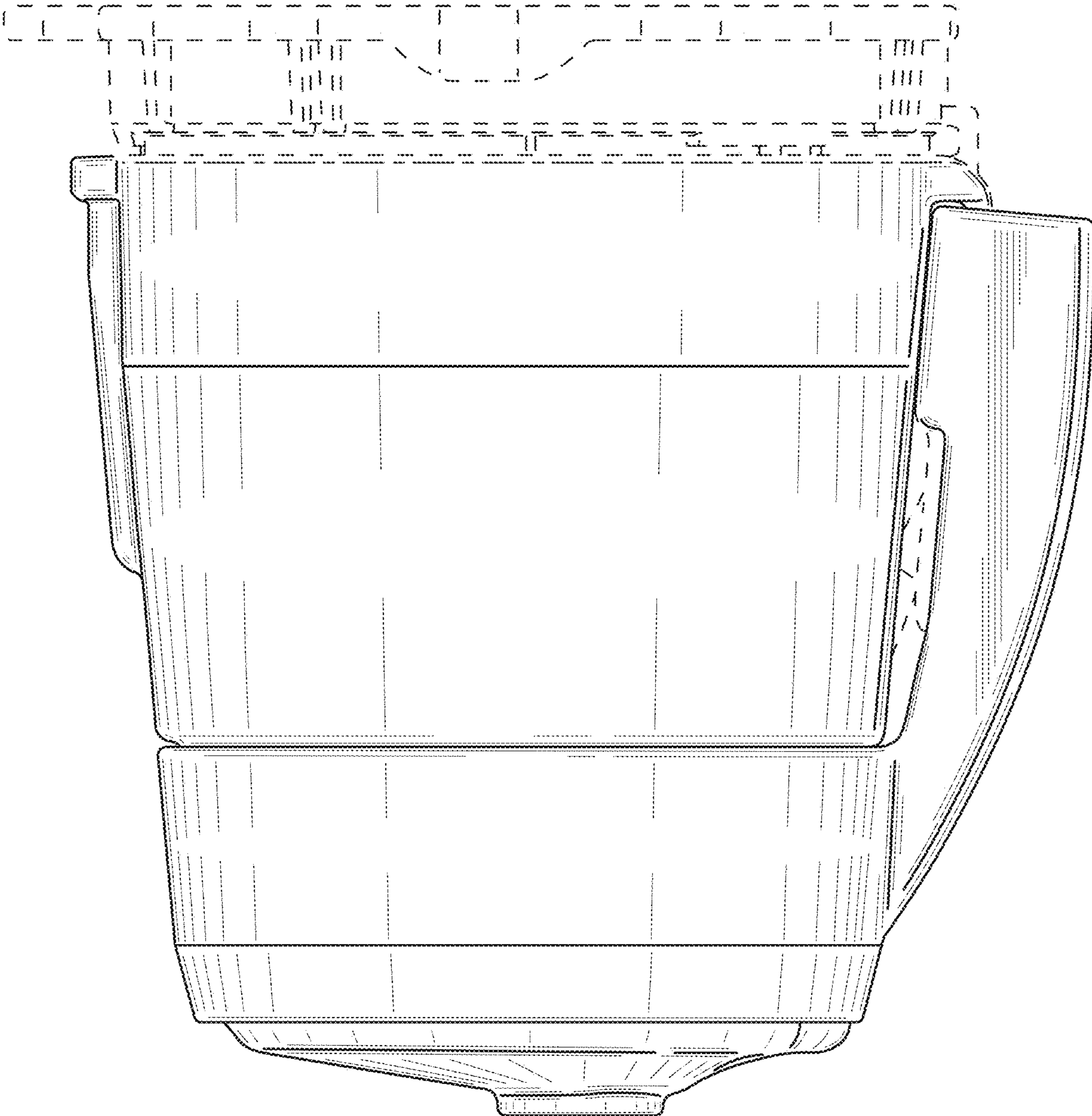


FIG. 4

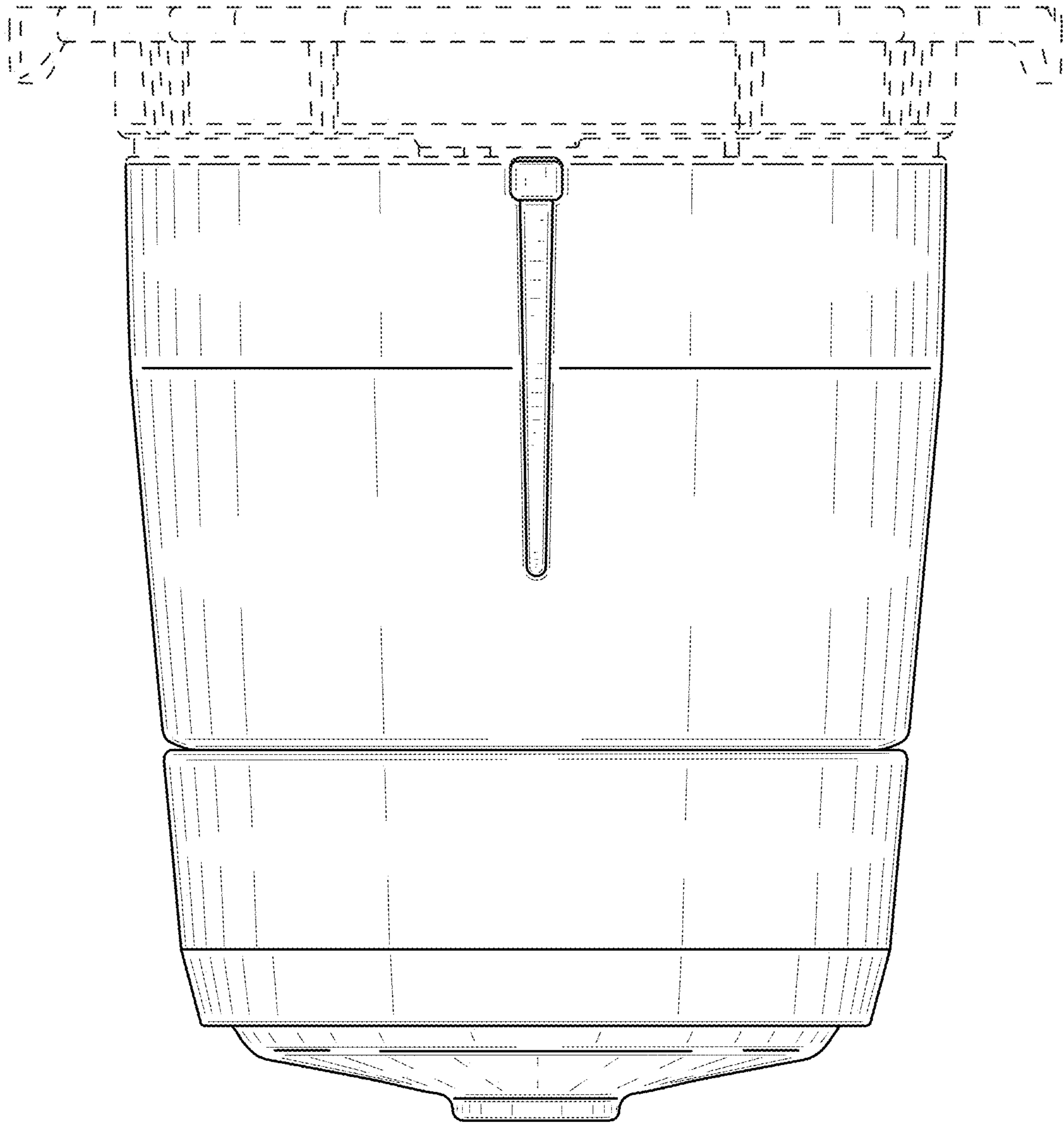


FIG. 5

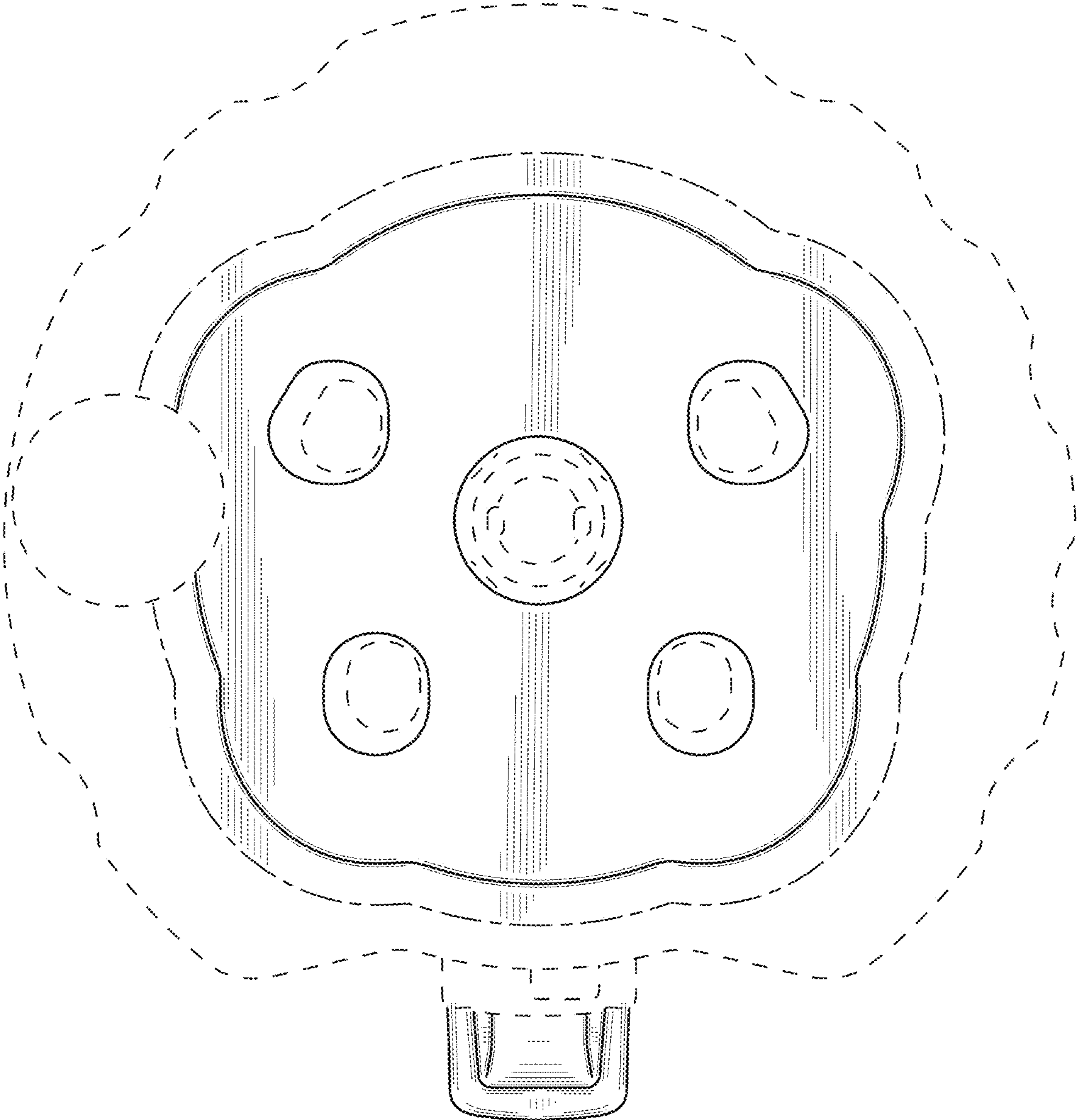


FIG. 6

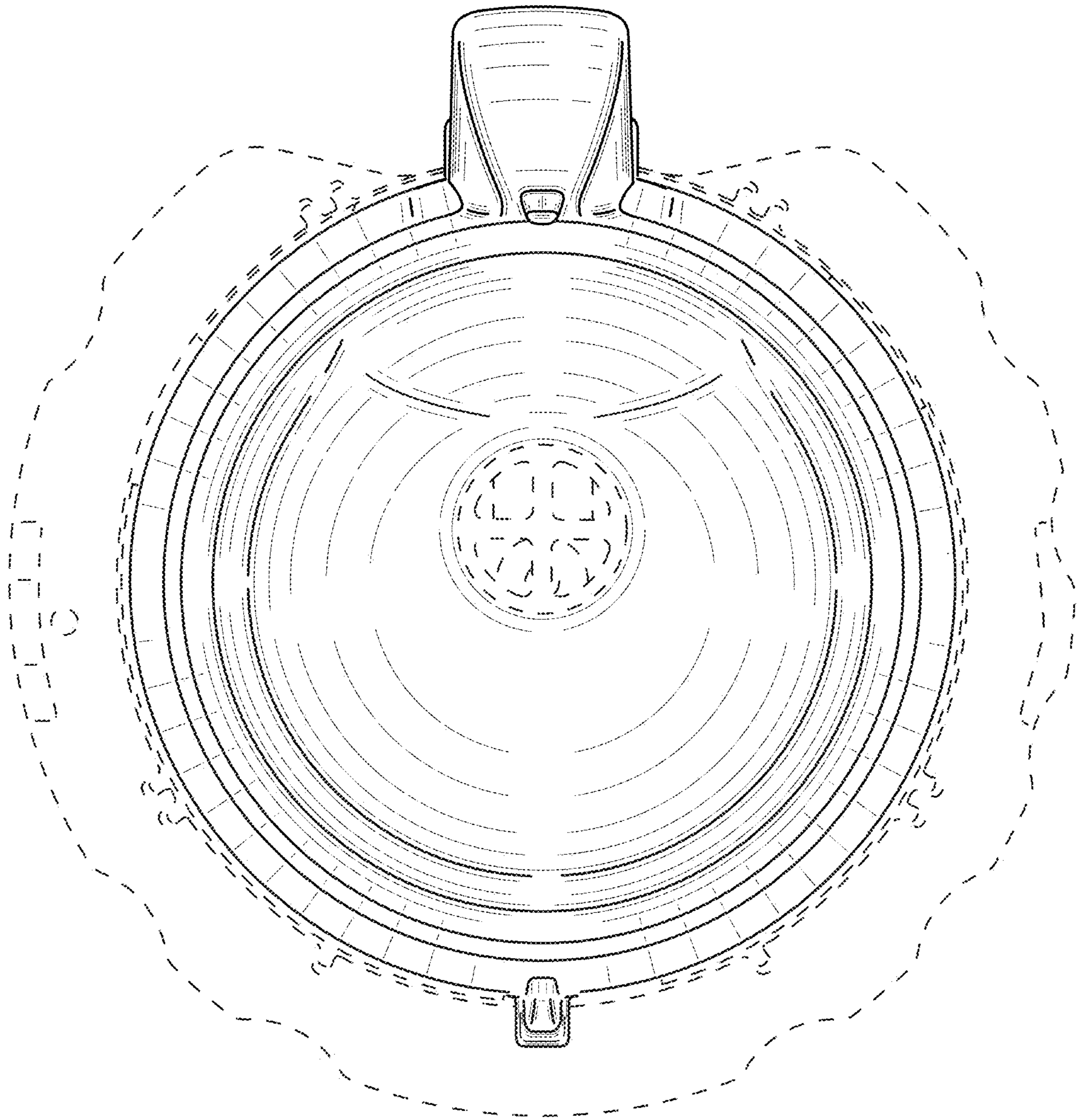


FIG. 7