



US00D939889S

(12) **United States Design Patent** (10) **Patent No.:** **US D939,889 S**
Ni (45) **Date of Patent:** **** Jan. 4, 2022**

(54) **HANDLE FOR BEVERAGE CONTAINER**

(71) Applicant: **Zhenming Ni**, San Marino, CA (US)

(72) Inventor: **Zhenming Ni**, San Marino, CA (US)

(**) Term: **15 Years**

(21) Appl. No.: **29/720,959**

(22) Filed: **Jan. 16, 2020**

(51) **LOC (13) Cl.** **07-01**

(52) **U.S. Cl.**
USPC **D7/394**

(58) **Field of Classification Search**
USPC D7/300, 301–323, 354, 360, 361, 387,
D7/393–396.2, 397–400, 402, 509, 514,
D7/533–536, 543; D9/431, 434–436,
D9/504, 530, 531, 549, 644–646, 648,
D9/655, 656, 658
CPC B67D 1/00; B67D 1/003; B67D 1/004;
B67D 1/009; B67D 1/0015; B67D
1/0016; B67D 1/0021; B67D 1/0041;
B67D 1/0042; B67D 1/0043; B67D 1/06;
A47G 19/14; A47G 19/22; A47G
19/2205; A47G 19/2266; A47G 19/2272;
A47J 27/21; A47J 27/21008; A47J
27/2105; A47J 27/21091; A47J 27/21166;
A47J 27/21175; A47J 31/00; A47J
31/007; A47J 31/46

See application file for complete search history.

(56) **References Cited**

U.S. PATENT DOCUMENTS

D217,332 S * 4/1970 Weckman D9/529
6,085,543 A * 7/2000 Su A47G 19/2288
62/438
D465,132 S * 11/2002 Janky D7/510
D552,932 S * 10/2007 Carlson D7/509

D610,254 S * 2/2010 Huff D24/121
D747,626 S * 1/2016 Morris, II D7/536
D822,440 S * 7/2018 Kuh D7/536
D827,381 S * 9/2018 Boroski D7/536
D853,197 S * 7/2019 Kestenbaum D7/536
D872,539 S * 1/2020 Hewitt D7/536
D885,834 S * 6/2020 Pawluskiewicz .. A47G 19/2288
D7/507
D907,956 S * 1/2021 Silsby D7/394
D911,779 S * 3/2021 Hunter D7/536
D925,290 S * 7/2021 Melanson D7/536

OTHER PUBLICATIONS

MiiR, Insulated Camp Cup, first available Jun. 8, 2017, Amazon, [online]. [site visited Sep. 30, 2021], Available from internet URL: <https://www.amazon.com/MiiR-Insulated-Coffee-Office-Camping/dp/B07XL669QM> (Year: 2017).*

(Continued)

Primary Examiner — Mary Ann Calabrese
Assistant Examiner — Natalya M Rapundalo
(74) *Attorney, Agent, or Firm* — Tsz Lung Yeung

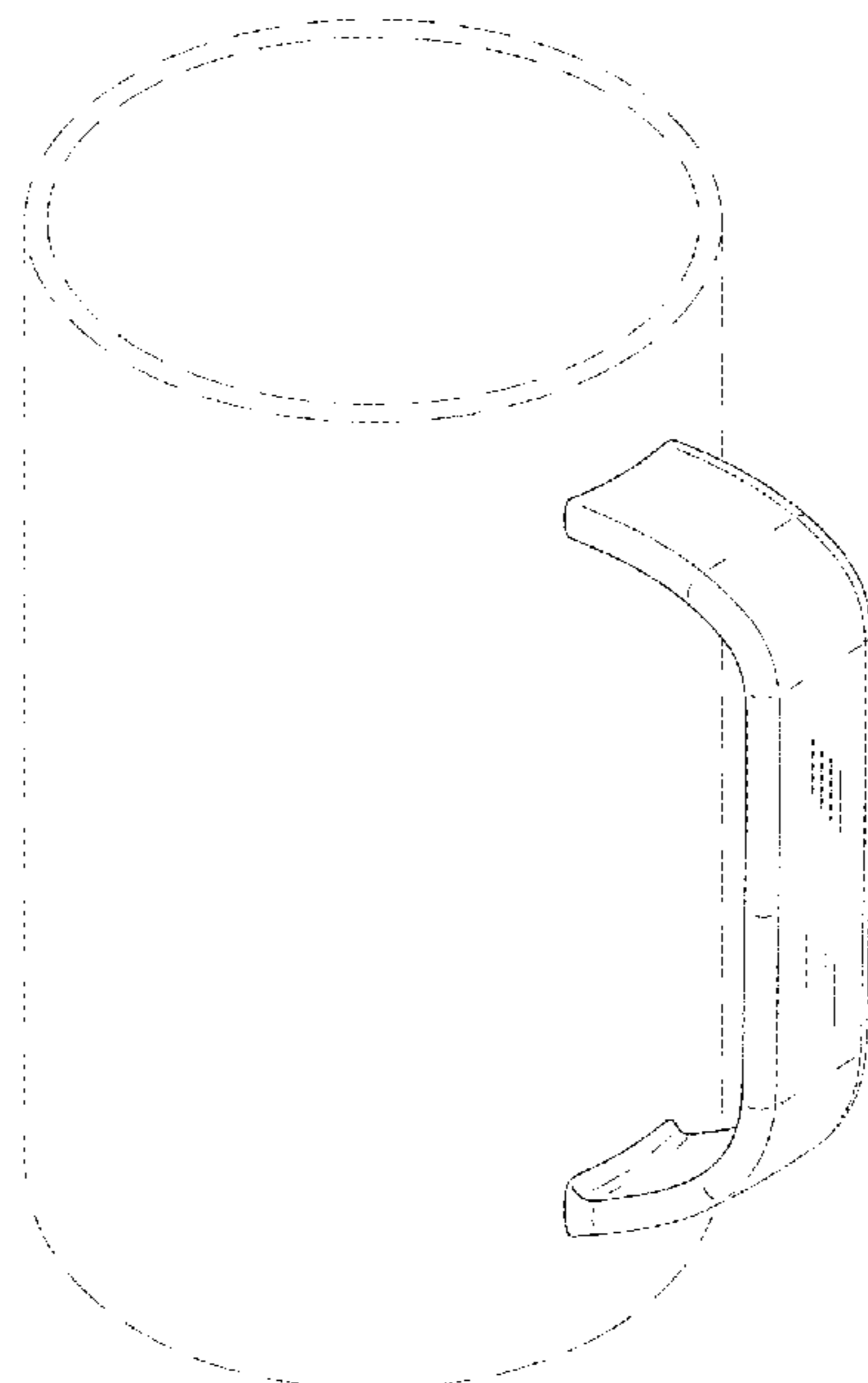
(57) **CLAIM**

The ornamental design for a handle for beverage container, as shown and described.

DESCRIPTION

FIG. 1 is a perspective view of a handle for beverage container showing my new design;
FIG. 2 is a front view thereof;
FIG. 3 is a left side view thereof;
FIG. 4 is a right side view thereof;
FIG. 5 is a top view thereof; and,
FIG. 6 is a bottom view thereof.
The broken lines depict environmental structure that form no part of the claimed design.

1 Claim, 6 Drawing Sheets



(56)

References Cited

OTHER PUBLICATIONS

LocknLock Metro Mug with Handle & Lid, Amazon, [online], [site visited Sep. 30, 2021], Available from internet URL: <https://www.amazon.com/LOCK-Stainless-Thermal-Insulated-16-Ounce/dp/B08MV2CNPM> (Year: 2021).*

Design No. 306568008, May 28, 2021—China National Intellectual Property Administration (CNIPA) Publication Date—May 28, 2021 Owner—Ningbo SH Plastic Technology Co Ltd, Designer—Zhang Dengpan WIPO, available at <https://www3.wipo.int/designdb/en/index.jsp> (Year: 2021).*

* cited by examiner

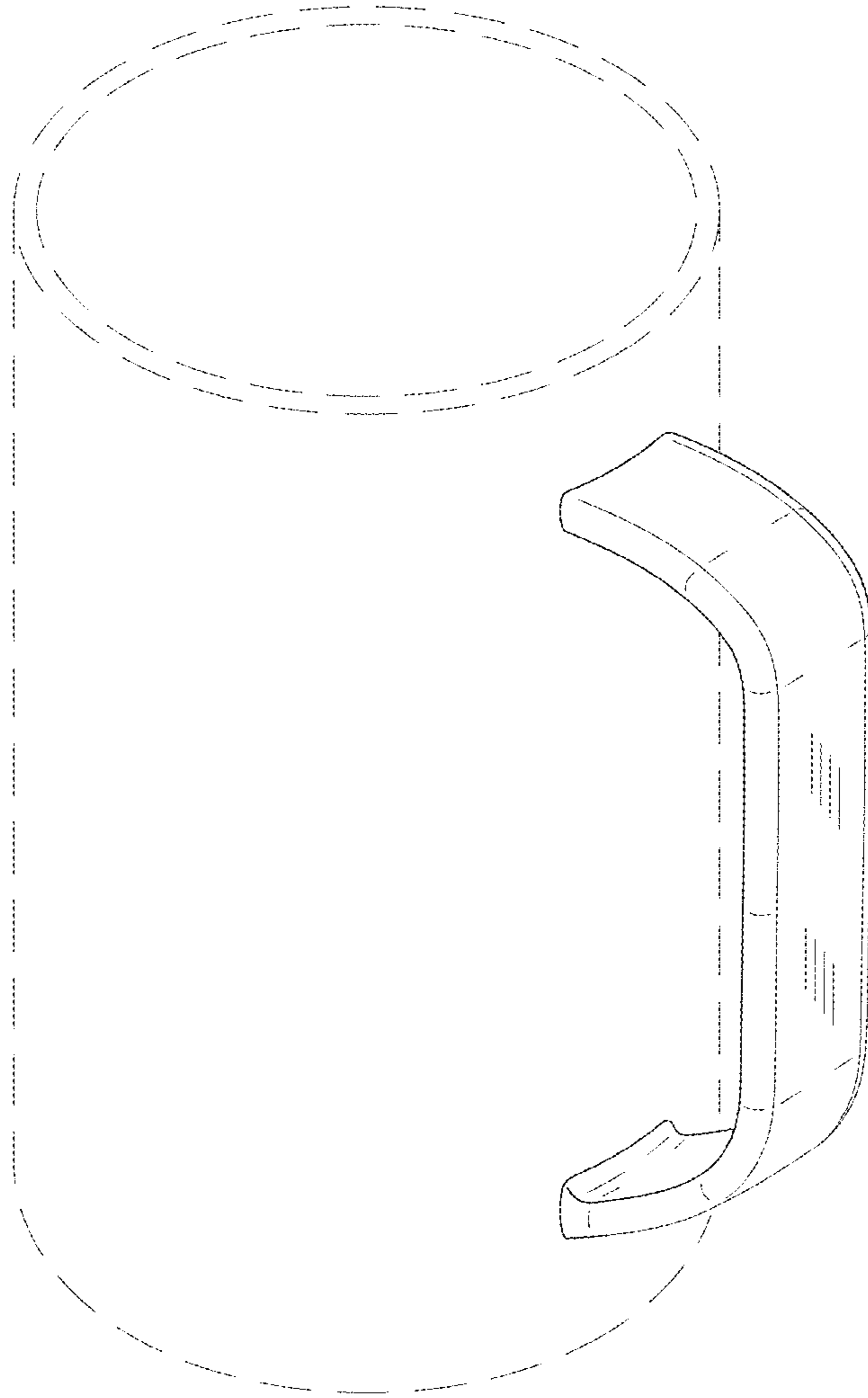


FIG. 1



FIG. 2

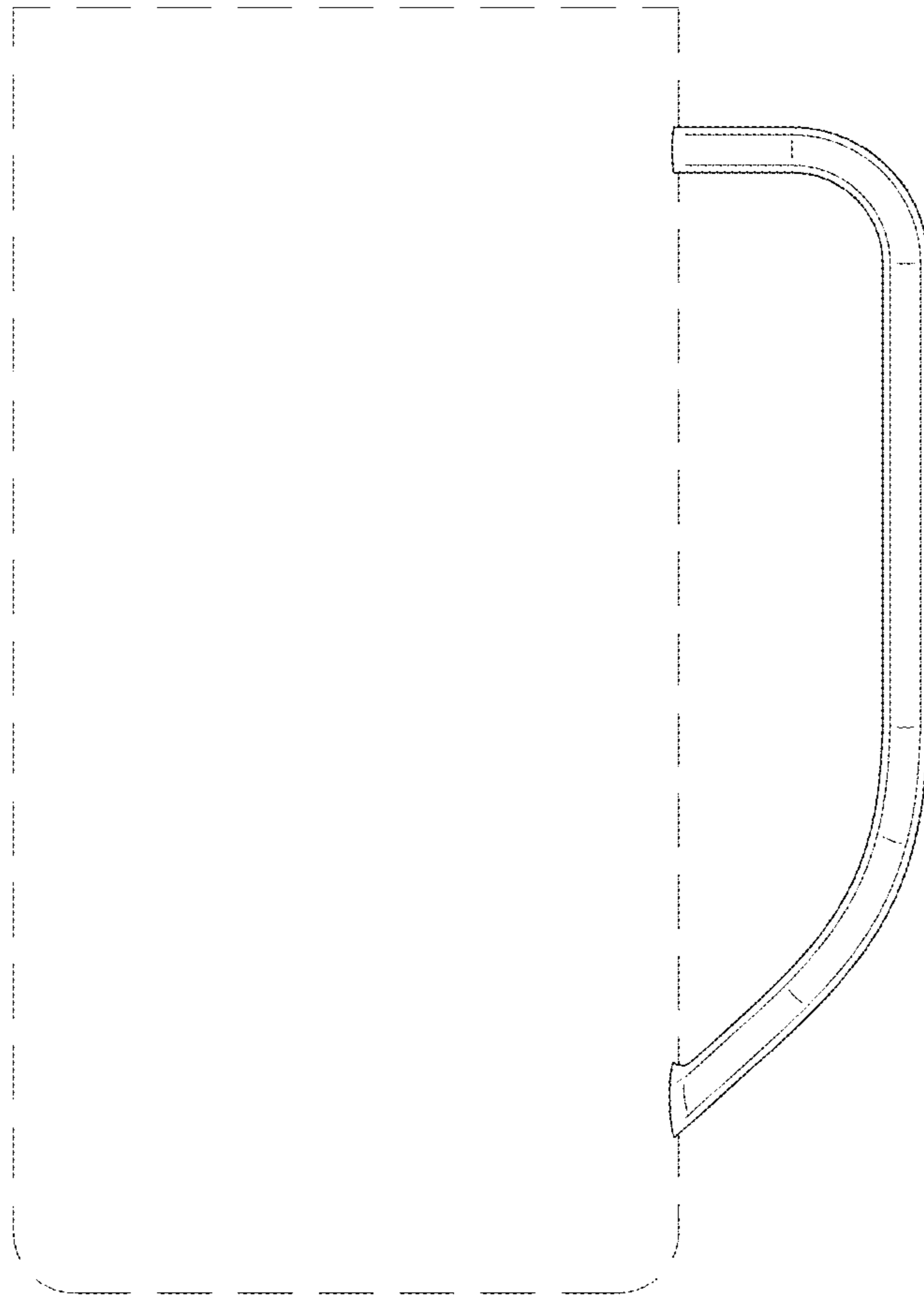


FIG. 3

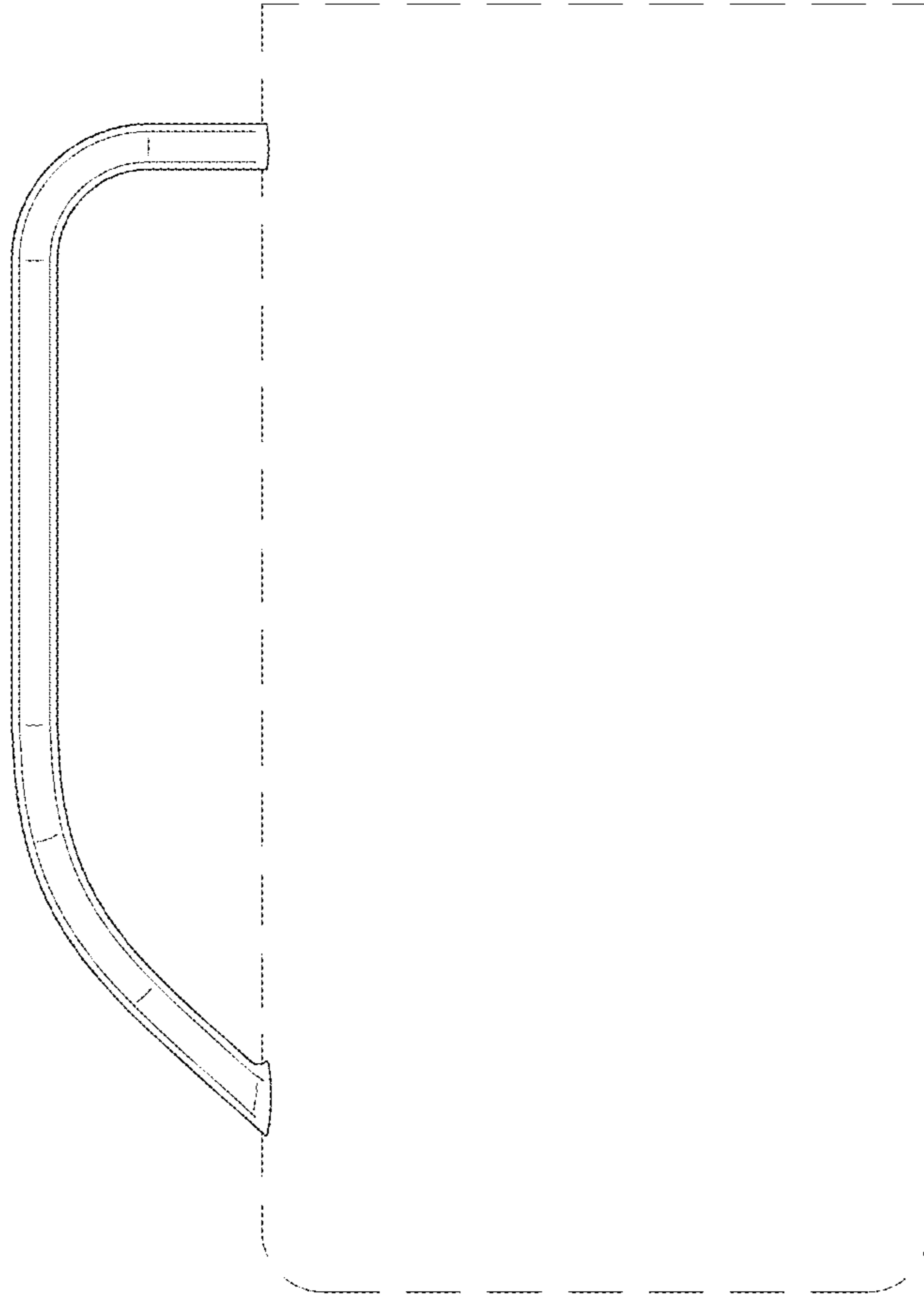


FIG. 4

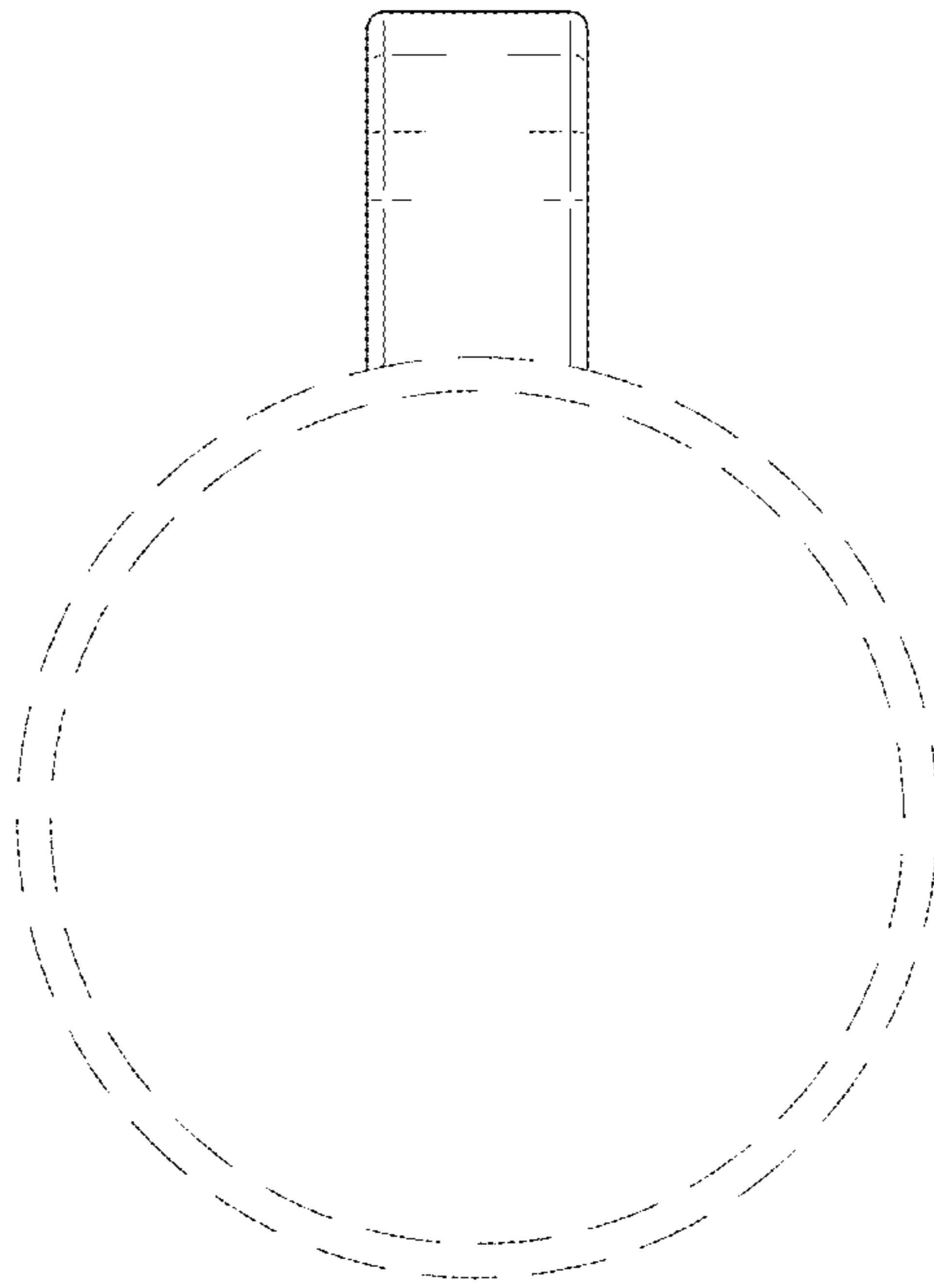


FIG. 5

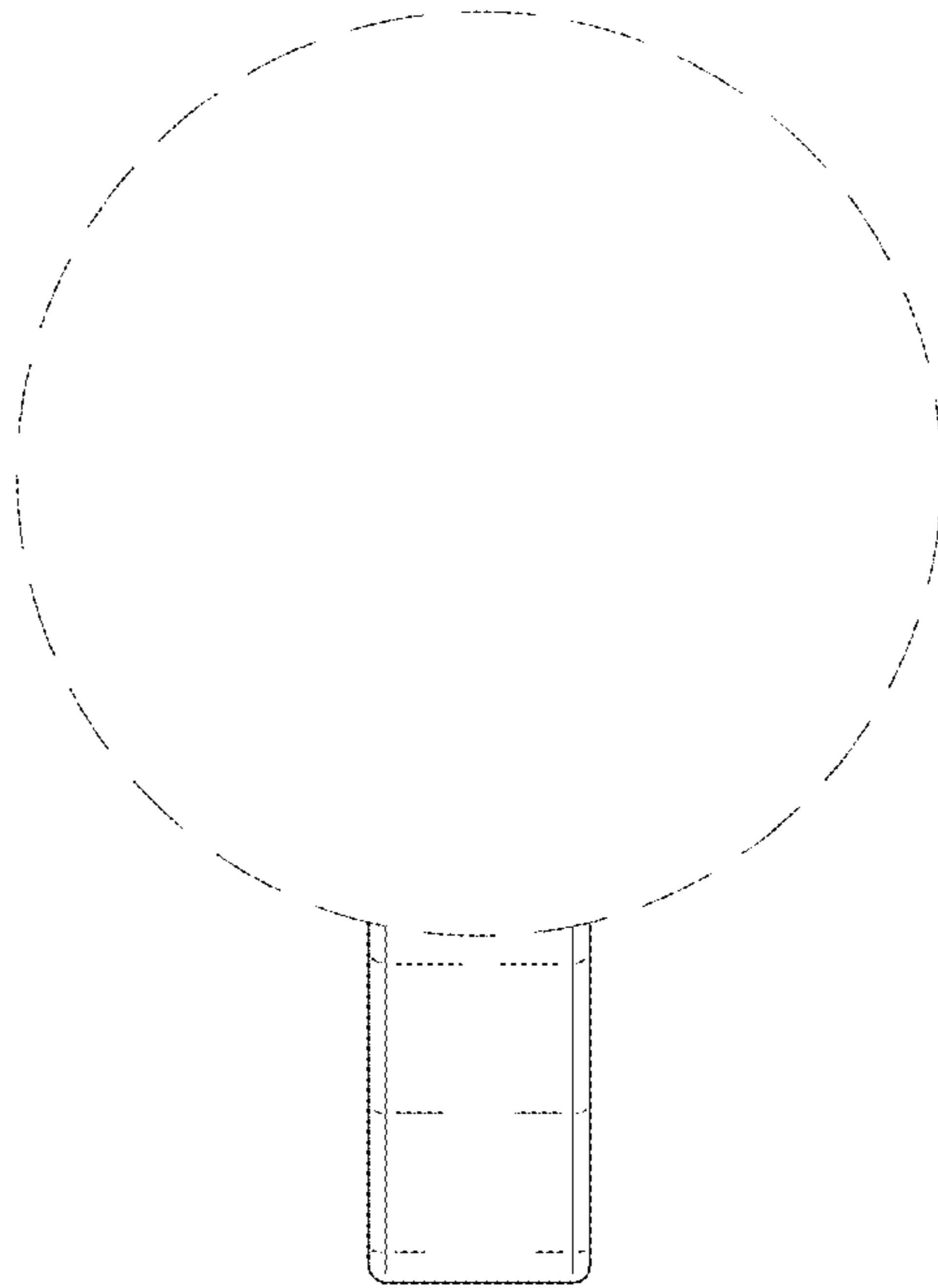


FIG. 6