



US00D939888S

(12) **United States Design Patent**  
**Wang et al.**

(10) **Patent No.:** **US D939,888 S**  
(45) **Date of Patent:** **\*\* Jan. 4, 2022**

(54) **LID**  
(71) Applicant: **SHEN ZHEN QUICK FIT PLASTIC CO., LTD.**, Shenzhen (CN)  
(72) Inventors: **Qi Wang**, Shenzhen (CN); **Hui Kang**, Shenzhen (CN)  
(73) Assignee: **SHEN ZHEN QUICK FIT PLASTIC CO., LTD.**, Shenzhen (CN)

(\*\*) Term: **15 Years**

(21) Appl. No.: **29/775,270**

(22) Filed: **Mar. 22, 2021**

(30) **Foreign Application Priority Data**

Mar. 4, 2021 (CN) ..... 202130117816.3

(51) **LOC (13) Cl.** ..... **07-01**

(52) **U.S. Cl.**  
USPC ..... **D7/392.1**; D7/396.2; D9/443

(58) **Field of Classification Search**  
USPC ..... D7/509, 510, 511, 523, 532, 529, 530, D7/392.1, 396.2, 387, 536, 624.2, 619.1, D7/624.1, 400, 389, 393; D9/522, 539, D9/656, 571, 444, 552, 449, 443; D3/202  
CPC ..... A47G 19/22; A47G 19/2288; A47G 19/2205; A47G 19/2211; A47G 19/2216  
See application file for complete search history.

(56) **References Cited**

**U.S. PATENT DOCUMENTS**

D802,993 S \* 11/2017 Joseph ..... D7/392.1  
D808,713 S \* 1/2018 Rane ..... D7/396.2  
D811,162 S \* 2/2018 Rane ..... D7/396.2  
D812,970 S \* 3/2018 Rane ..... D7/396.2  
D817,085 S \* 5/2018 Davis ..... D7/392.1

D818,317 S \* 5/2018 Fu ..... D7/510  
D820,637 S \* 6/2018 Davis ..... D7/392.1  
D821,809 S \* 7/2018 Rane ..... D7/396.2  
D870,508 S \* 12/2019 Palkon ..... D7/392.1  
D878,866 S \* 3/2020 Cheng ..... D7/510  
D884,419 S \* 5/2020 Backs ..... D7/396.2  
D897,760 S \* 10/2020 Feng ..... D7/392.1  
D900,537 S \* 11/2020 Yao ..... D7/392.1  
D900,539 S \* 11/2020 Yao  
D902,650 S \* 11/2020 Wang ..... D7/396.2  
D903,403 S \* 12/2020 Ames ..... D7/392.1  
D903,404 S \* 12/2020 Bram  
D915,821 S \* 4/2021 Ludolph ..... D7/396.2  
D923,394 S \* 6/2021 Gu ..... D7/392.1

(Continued)

**OTHER PUBLICATIONS**

Straw Cap for YETI Rambler Bottle and RTIC Bottle Learn more: [https://www.amazon.com/dp/B08J4C4VRD/ref=cm\\_sw\\_em\\_r\\_mt\\_dp\\_9RY8HC28A6TW79KR31JK](https://www.amazon.com/dp/B08J4C4VRD/ref=cm_sw_em_r_mt_dp_9RY8HC28A6TW79KR31JK) (Year: 2020).\*

(Continued)

*Primary Examiner* — Jae Liang

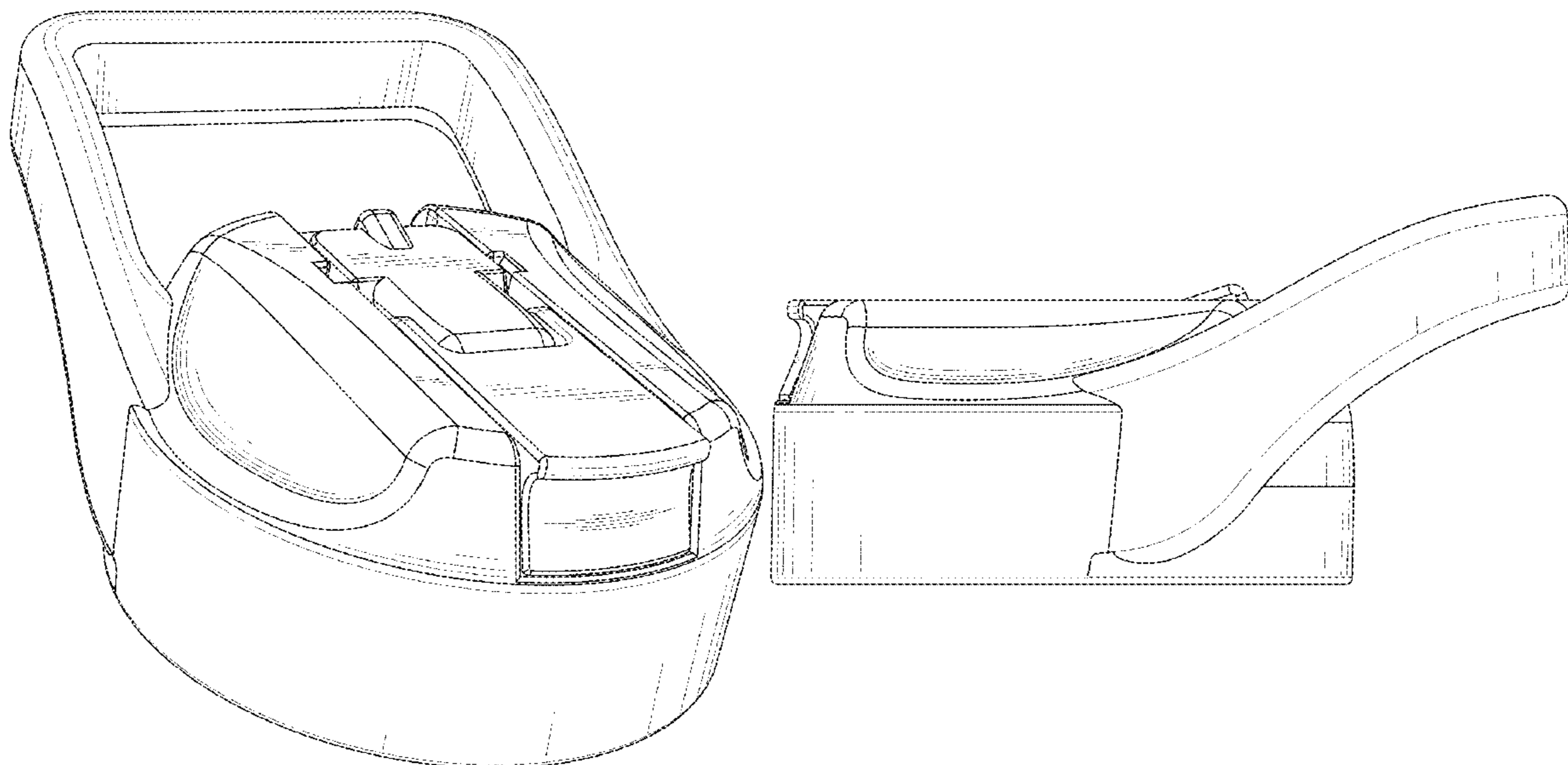
(57) **CLAIM**

The ornamental design for a lid, as shown and described.

**DESCRIPTION**

FIG. 1 is a perspective view of a lid showing my new design; FIG. 2 is another perspective view thereof; FIG. 3 is a perspective view thereof in its use state; FIG. 4 is a front view thereof; FIG. 5 is a rear view thereof; FIG. 6 is a left side view thereof; FIG. 7 is a right side view thereof; FIG. 8 is a top plan view thereof; and, FIG. 9 is a bottom plan view thereof. The broken lines in the figures illustrate portions of the lid that form no part of the claimed design.

**1 Claim, 9 Drawing Sheets**



(56)

**References Cited**

U.S. PATENT DOCUMENTS

D929,802 S \* 9/2021 Han ..... D7/392.1  
2015/0173539 A1\* 6/2015 Mason ..... B65D 47/063  
220/707

OTHER PUBLICATIONS

[https://www.amazon.com/Flaskars-Straw-Hydro-Flask-Bottle/dp/B07DN95GYH/ref=sr\\_1\\_26?crid=317R6YOLP9187&dchild=1&keywords=sports+bottle+lid+with+straw&qid=1635192777&sprefix=sports+bottle+lid+wi%2Caps%2C158&sr=8-26](https://www.amazon.com/Flaskars-Straw-Hydro-Flask-Bottle/dp/B07DN95GYH/ref=sr_1_26?crid=317R6YOLP9187&dchild=1&keywords=sports+bottle+lid+with+straw&qid=1635192777&sprefix=sports+bottle+lid+wi%2Caps%2C158&sr=8-26) (Year: 2017).\*

\* cited by examiner

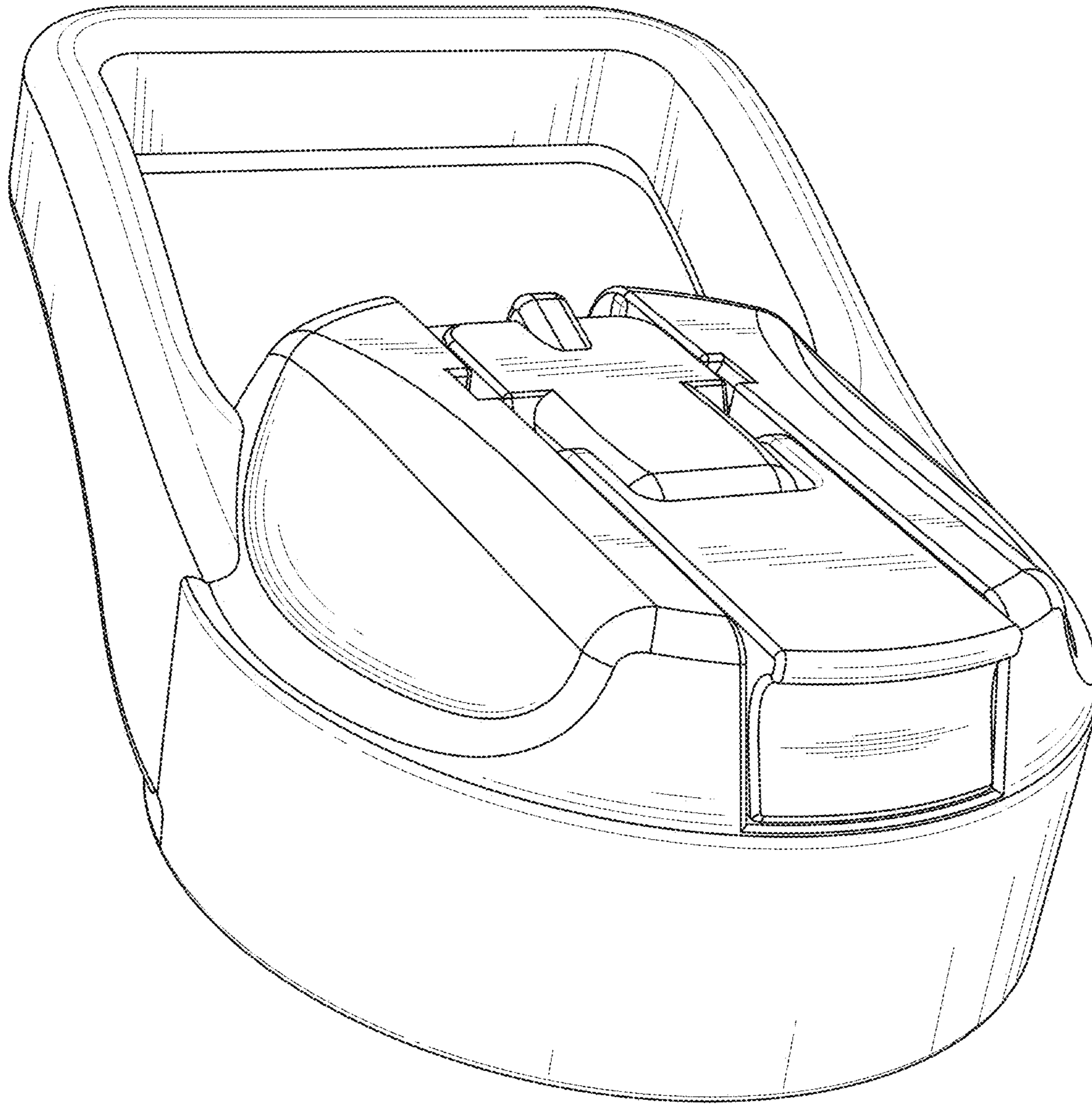


FIG.1



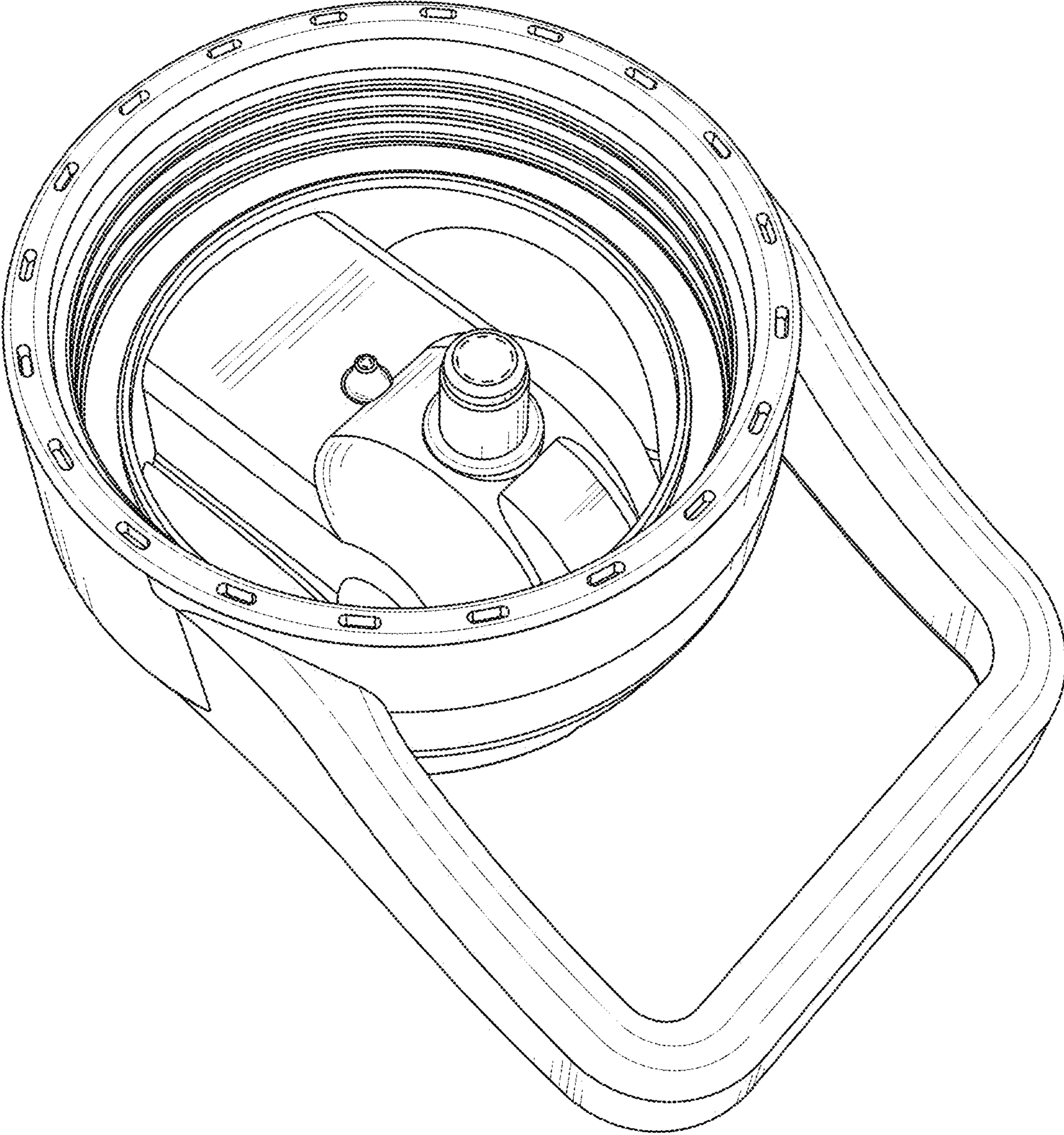


FIG.2

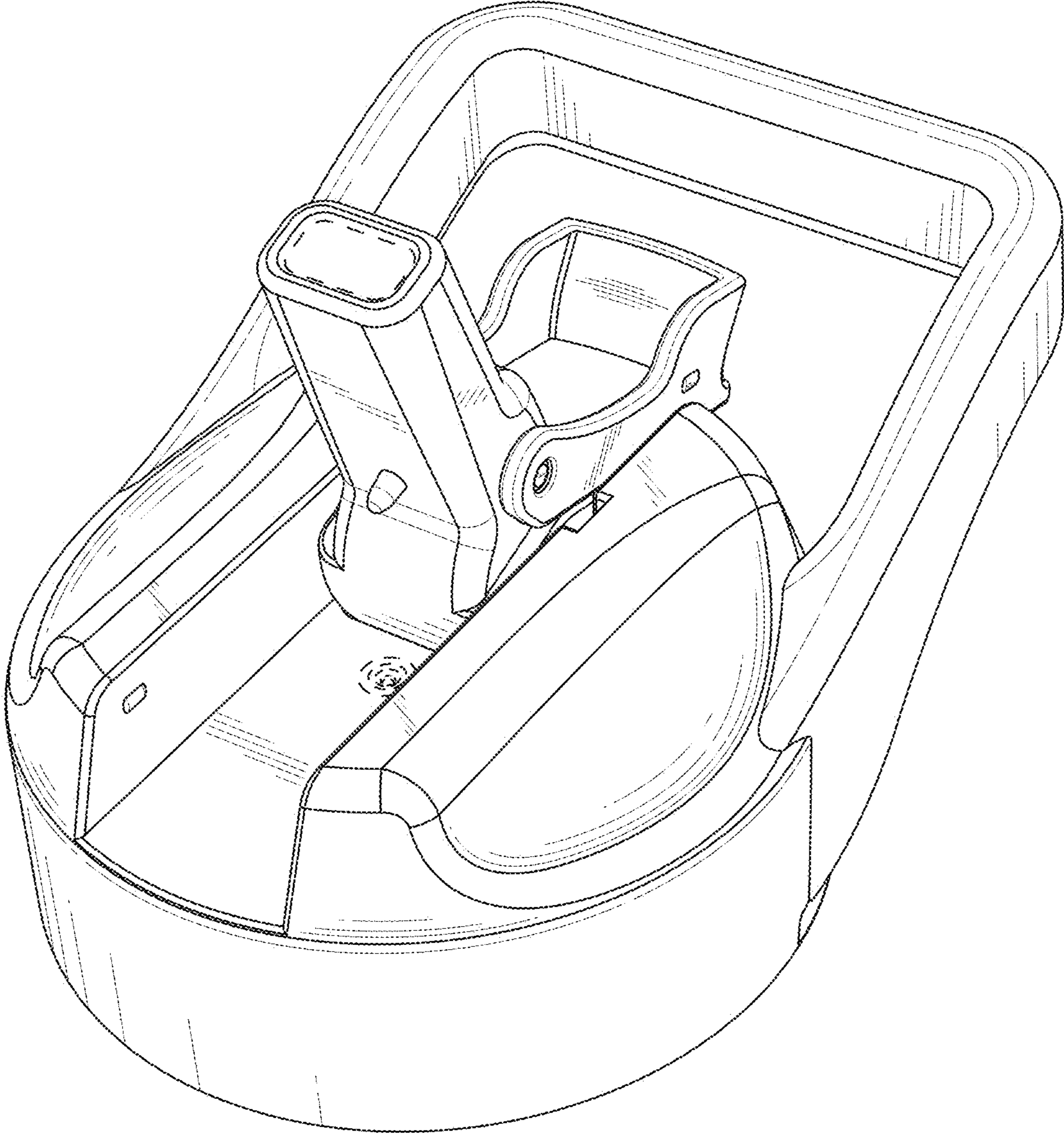


FIG.3

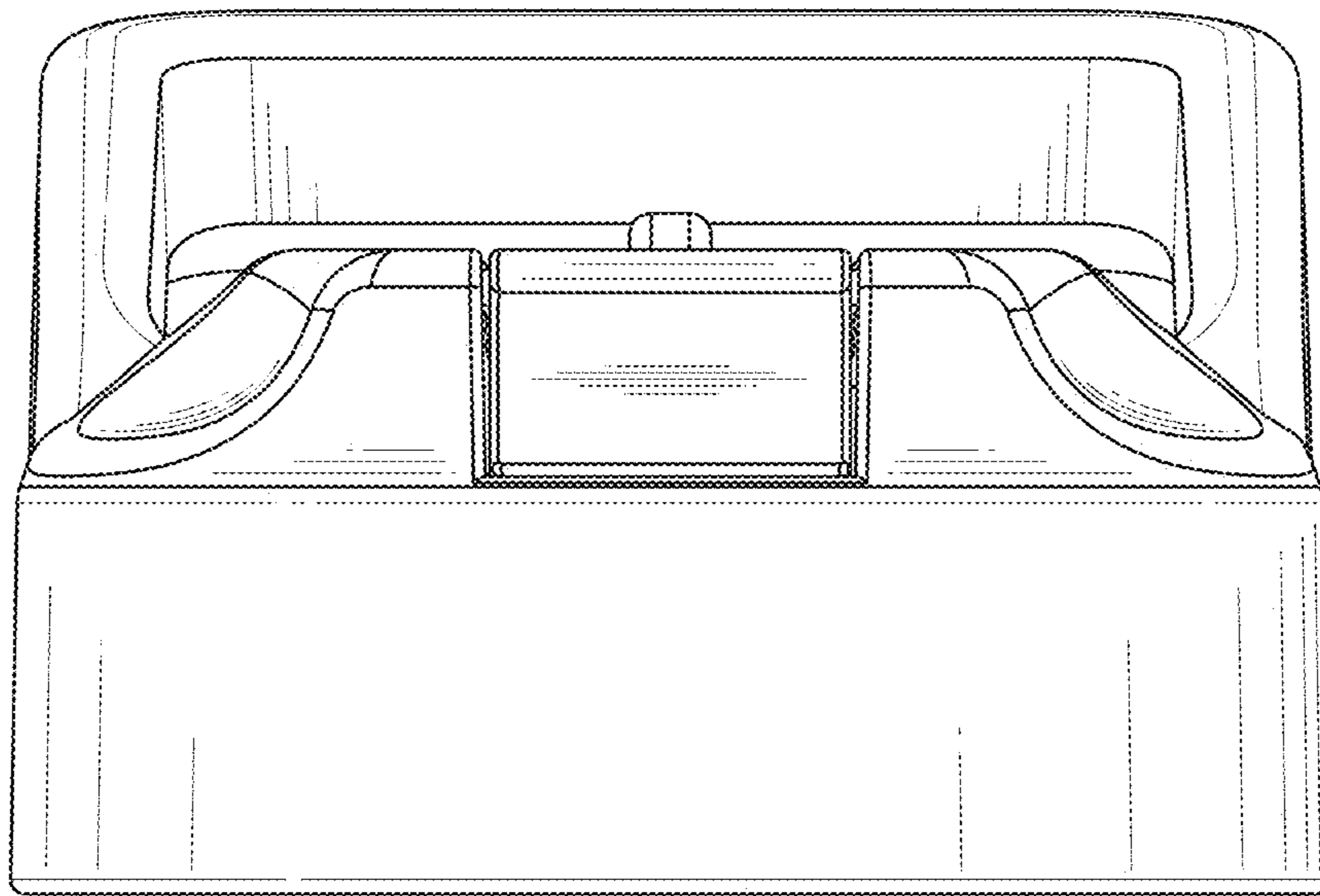


FIG.4

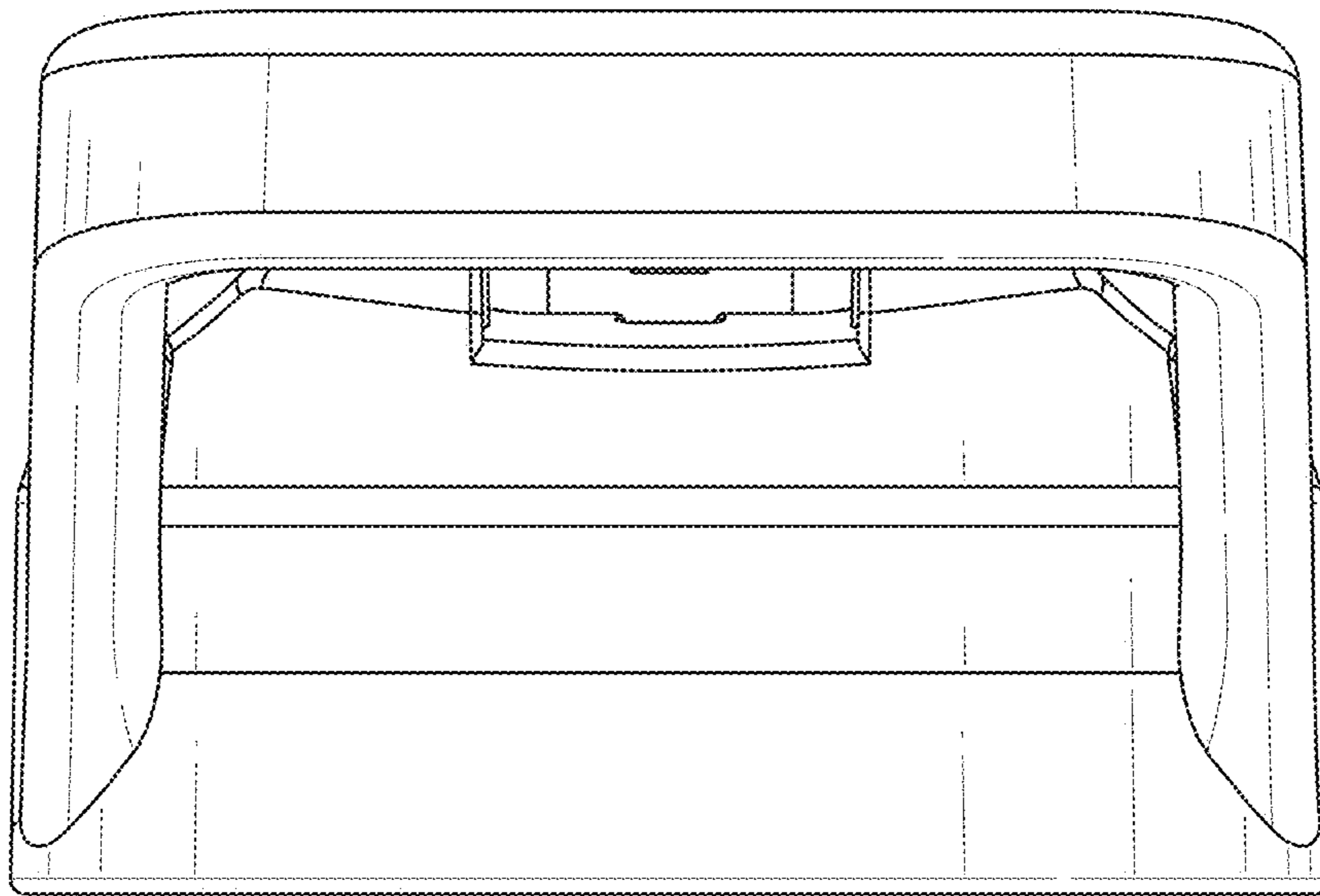


FIG.5

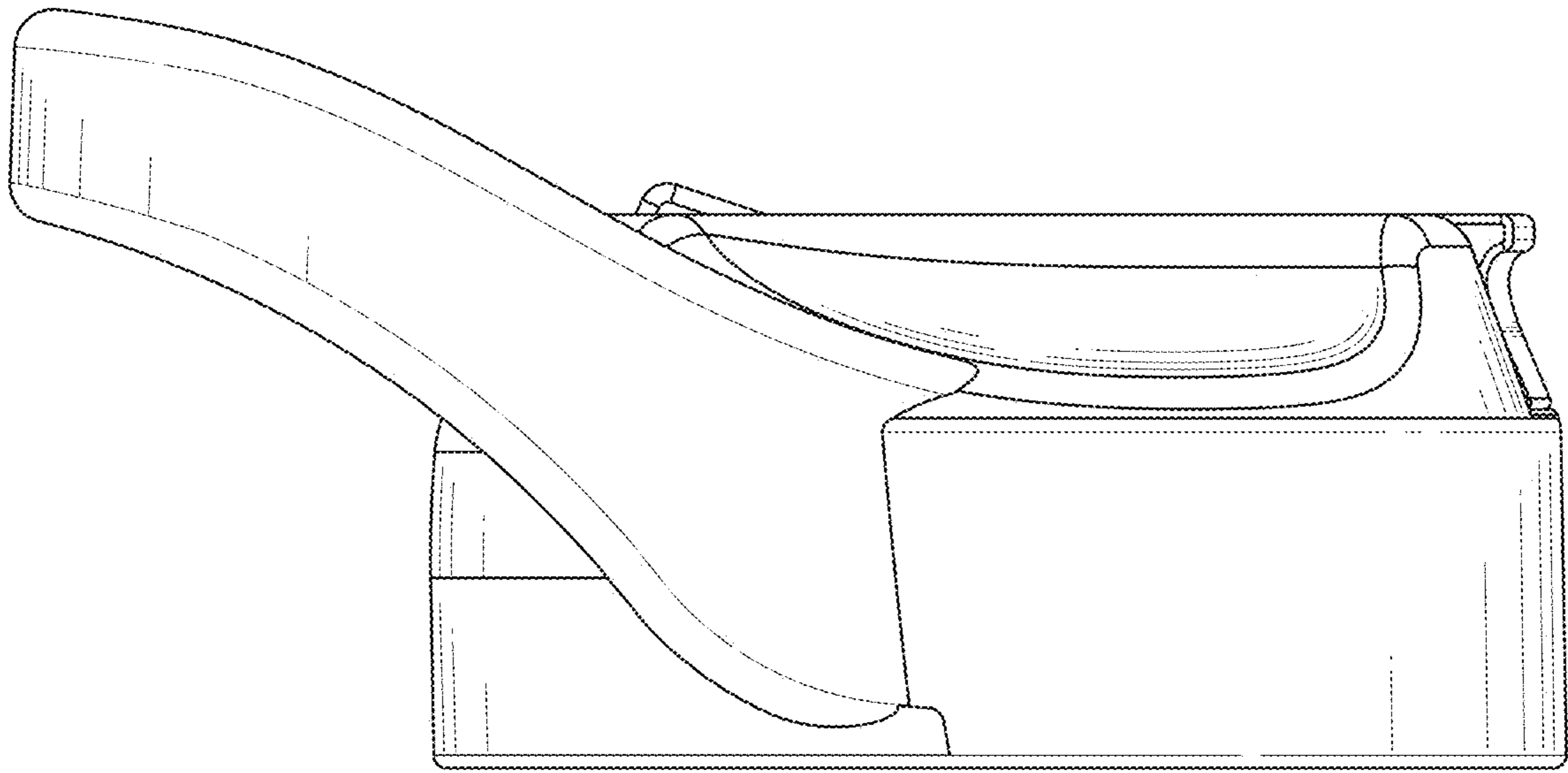


FIG.6



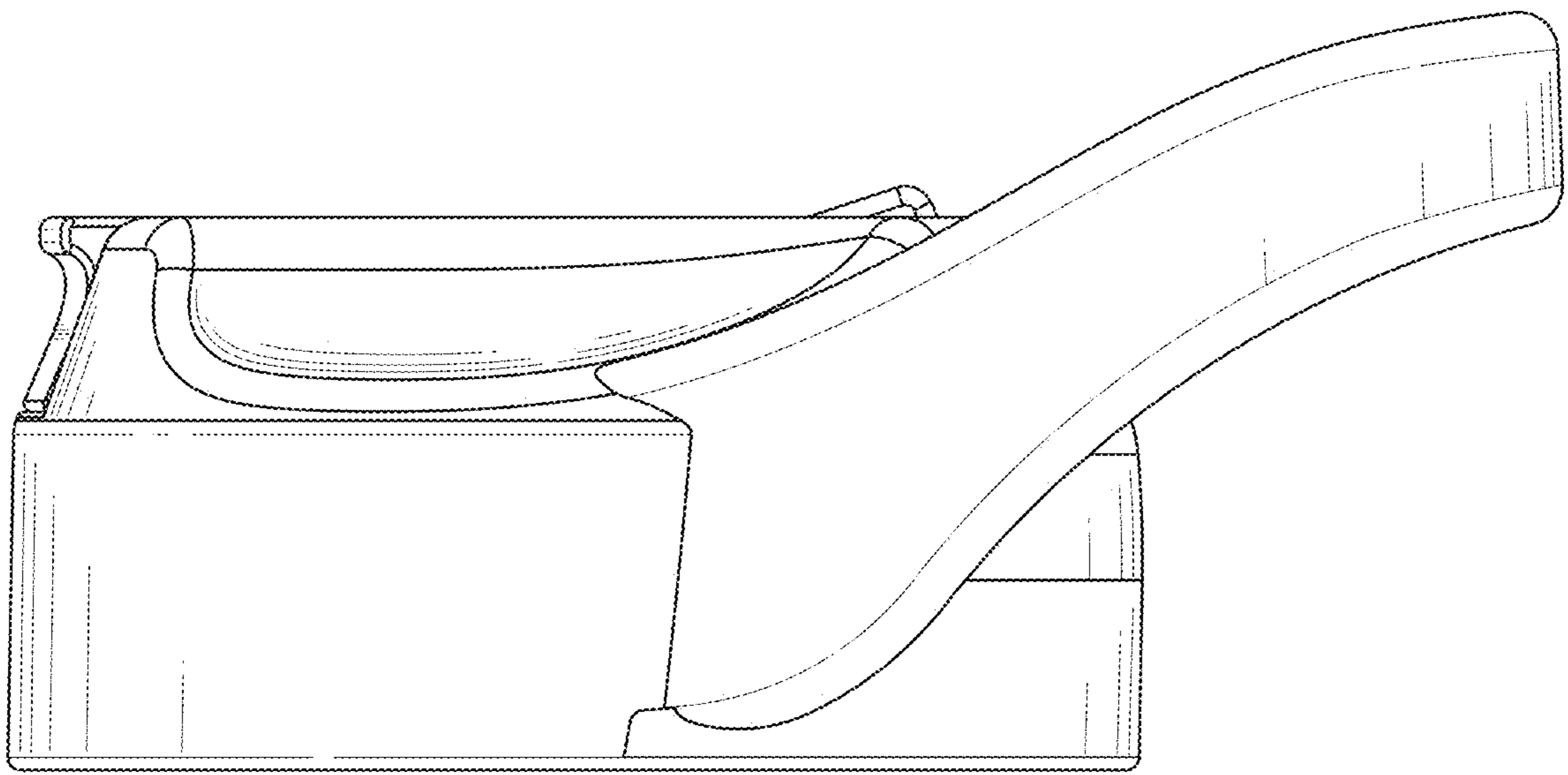


FIG.7

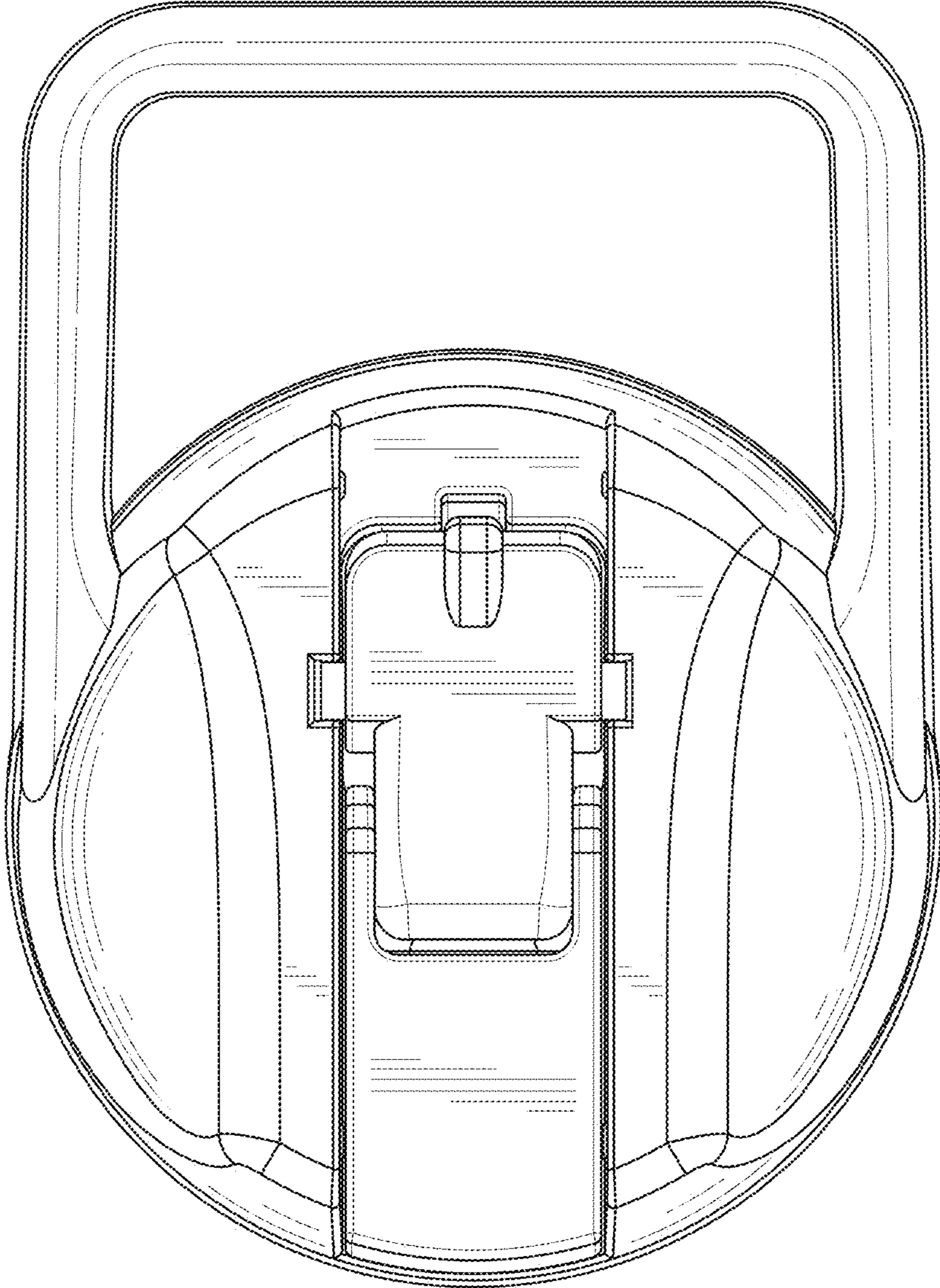


FIG.8

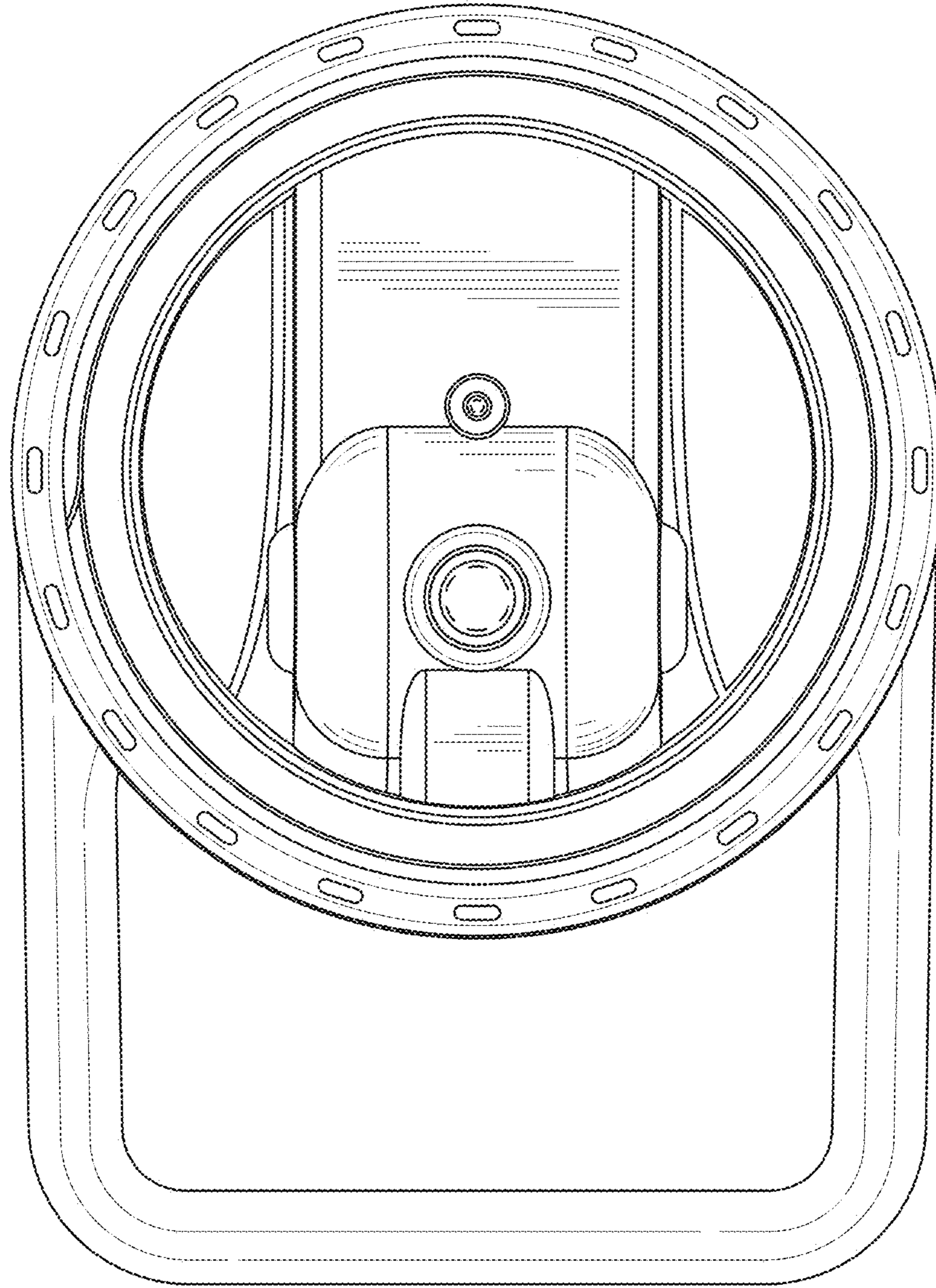


FIG.9