



US00D939887S

(12) **United States Design Patent**
Hao

(10) **Patent No.:** **US D939,887 S**

(45) **Date of Patent:** **** Jan. 4, 2022**

(54) **BOTTLE CAP**

(71) Applicant: **Junjie Hao**, Guangdong (CN)

(72) Inventor: **Junjie Hao**, Guangdong (CN)

(73) Assignee: **Shenzhen Mlife Household Products Co., Ltd.**, Guangdong (CN)

(**) Term: **15 Years**

(21) Appl. No.: **29/739,116**

(22) Filed: **Jun. 23, 2020**

(51) **LOC (13) Cl.** **09-07**

(52) **U.S. Cl.**

USPC **D7/392.1**; D9/443; D7/396.2

(58) **Field of Classification Search**

USPC D9/439, 440, 442-449, 682, 685, 686,
D9/435, 450, 454; D6/515; D7/507,
D7/509-511, 523, 391, 392, 392.1, 396.2

CPC B65D 83/205; B65D 83/206; B65D 83/40;
B65D 2543/00046; A47G 19/2272

See application file for complete search history.

(56) **References Cited**

U.S. PATENT DOCUMENTS

- D814,855 S * 4/2018 Hammer D7/392.1
- D870,508 S * 12/2019 Palkon D7/392.1
- D871,833 S * 1/2020 Farsai A47G 19/2266
D7/392.1
- D884,419 S * 5/2020 Backs D7/396.2
- D897,760 S * 10/2020 Feng D7/392.1

- D897,763 S * 10/2020 Feng D7/392.1
- D900,537 S * 11/2020 Yao D7/392.1
- D903,403 S * 12/2020 Ames D7/392.1
- D907,959 S * 1/2021 Hao D7/510
- D915,821 S * 4/2021 Ludolph D7/396.2
- D917,954 S * 5/2021 Yao D7/392.1
- D922,136 S * 6/2021 Lin D7/392.1
- D923,394 S * 6/2021 Gu D7/392.1
- D923,396 S * 6/2021 Lin D7/392.1
- D924,624 S * 7/2021 Huang D7/392.1

FOREIGN PATENT DOCUMENTS

CN 305315798 * 8/2019

* cited by examiner

Primary Examiner — Brett Miller

Assistant Examiner — Rani J Abdallah

(57) **CLAIM**

The ornamental design for a bottle cap, as shown and described.

DESCRIPTION

FIG. 1 is a perspective view of a bottle cap showing my new design;

FIG. 2 is a front elevation view thereof;

FIG. 3 is a rear elevation view thereof;

FIG. 4 is a left side elevation view thereof;

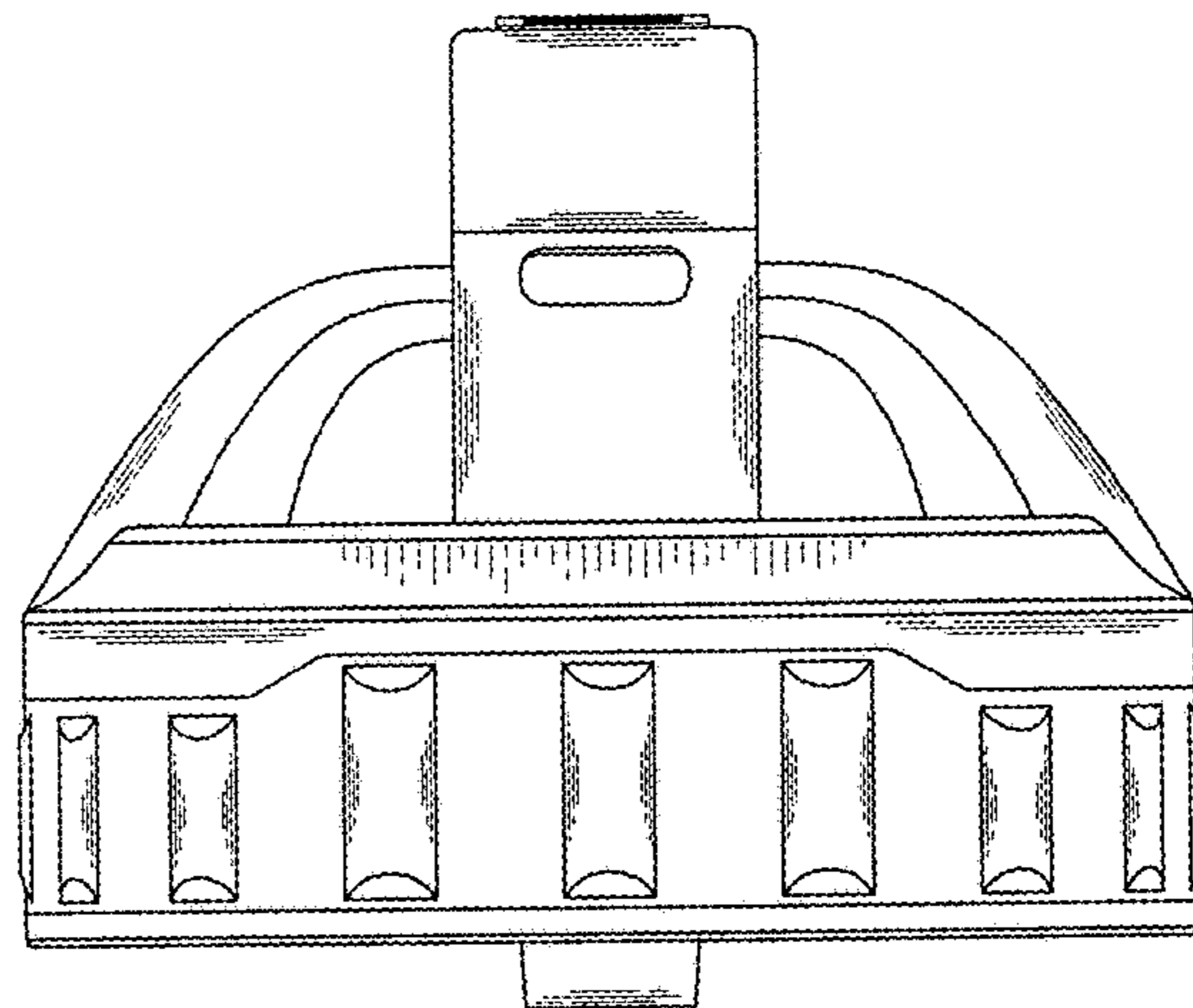
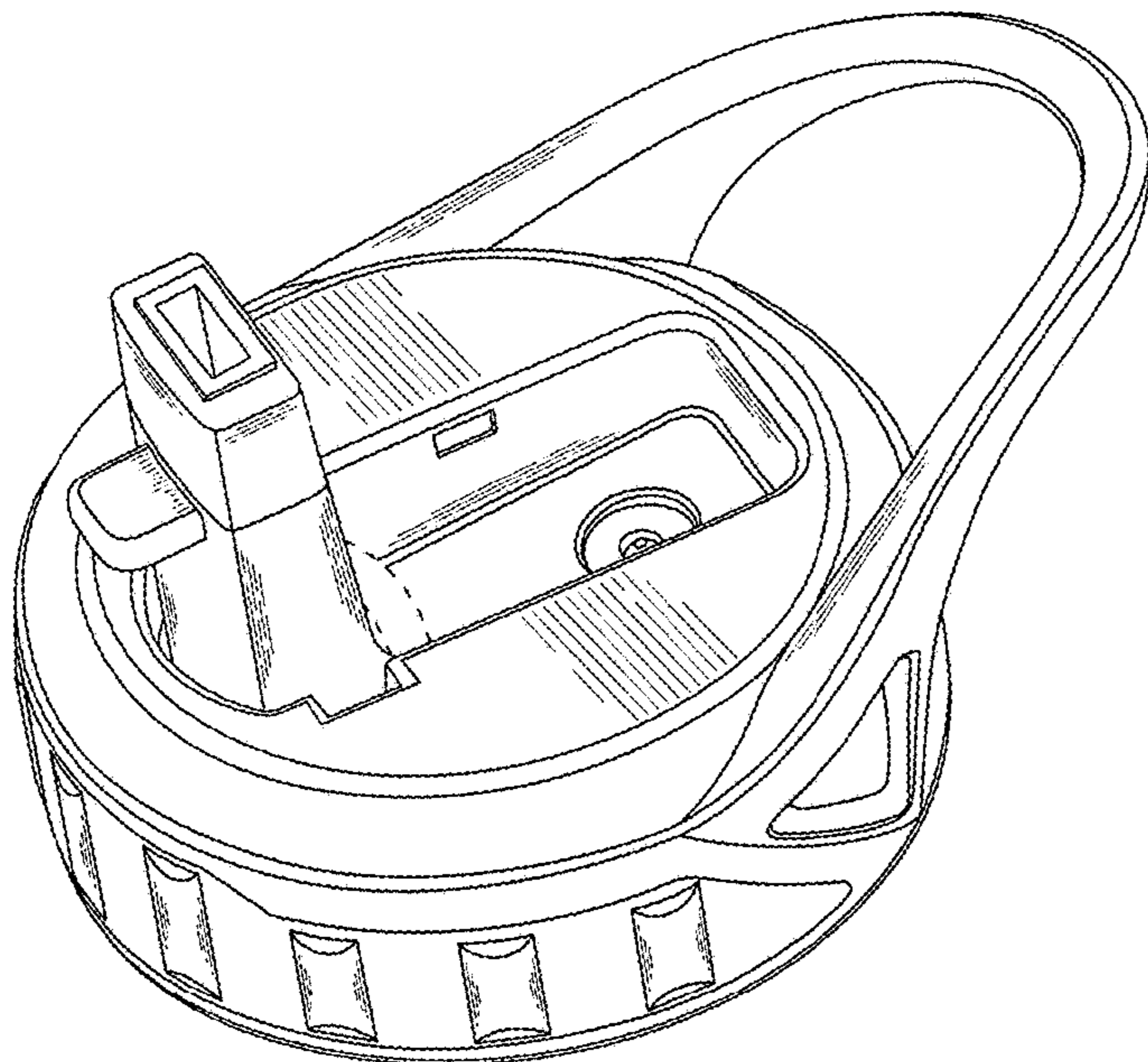
FIG. 5 is a right side elevation view thereof;

FIG. 6 is a top plan view thereof; and,

FIG. 7 is a bottom plan view thereof.

The broken lines shown illustrate portions of the bottle cap that form no part of the claimed design.

1 Claim, 7 Drawing Sheets



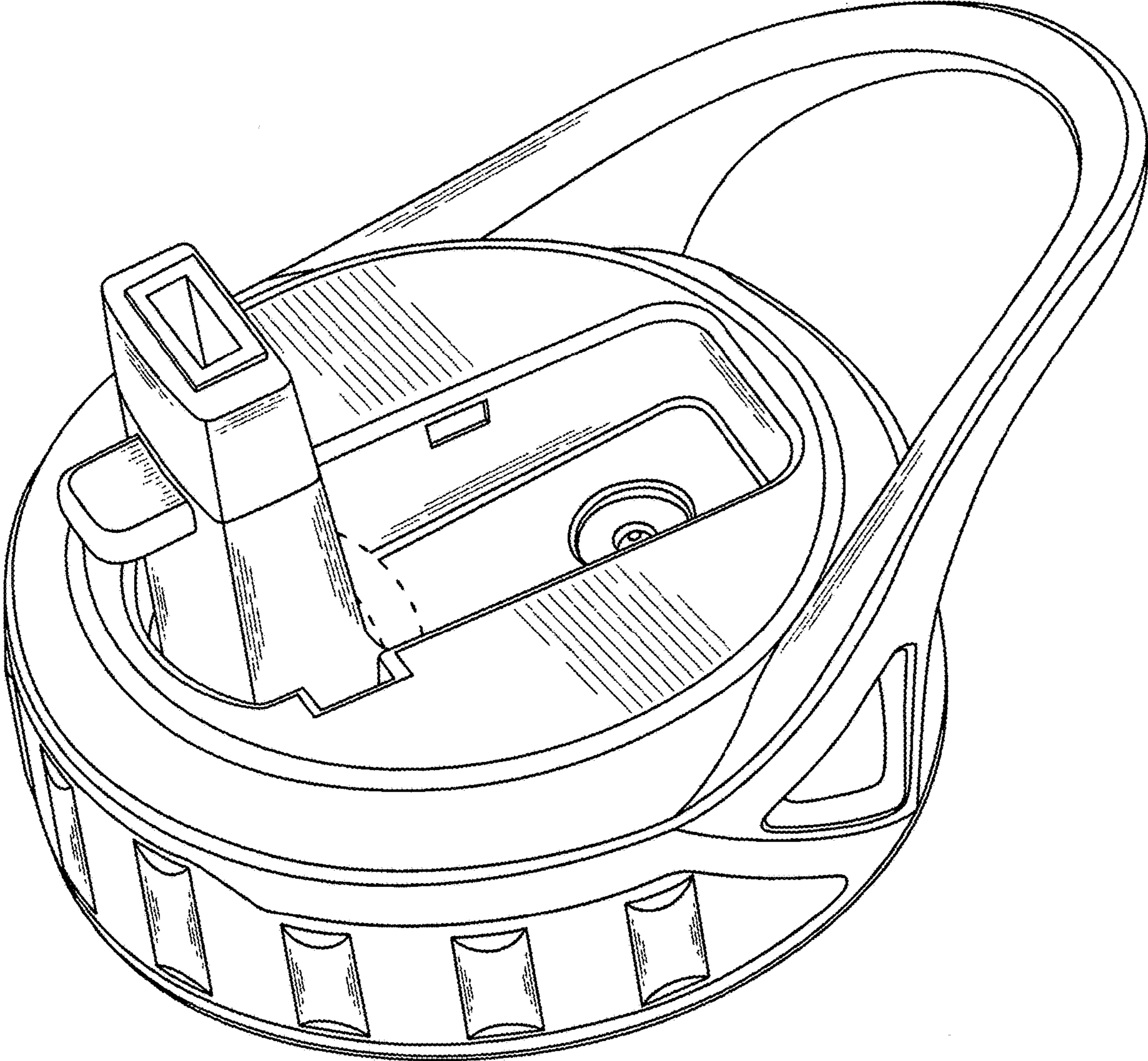


FIG. 1

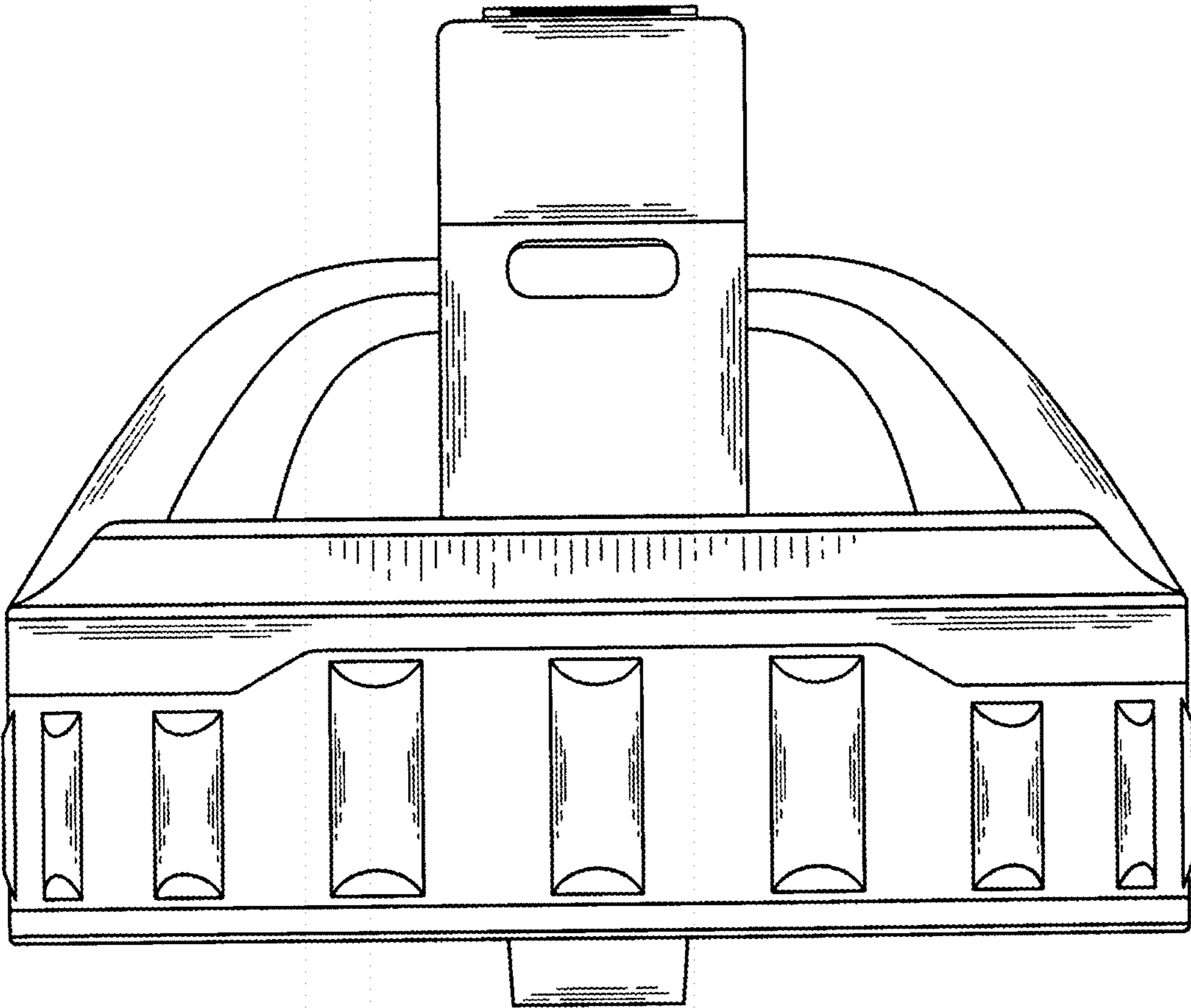


FIG. 2

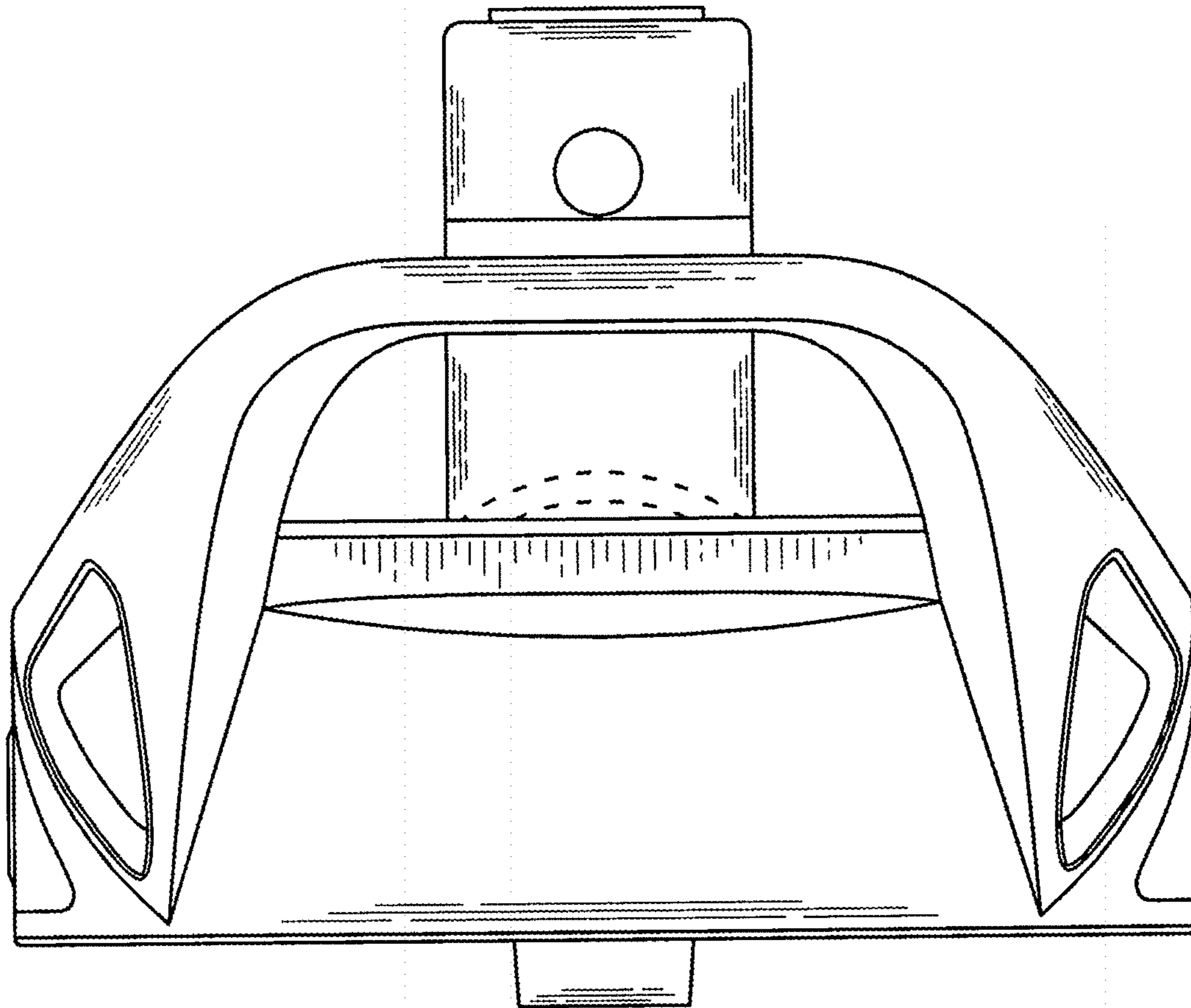


FIG. 3

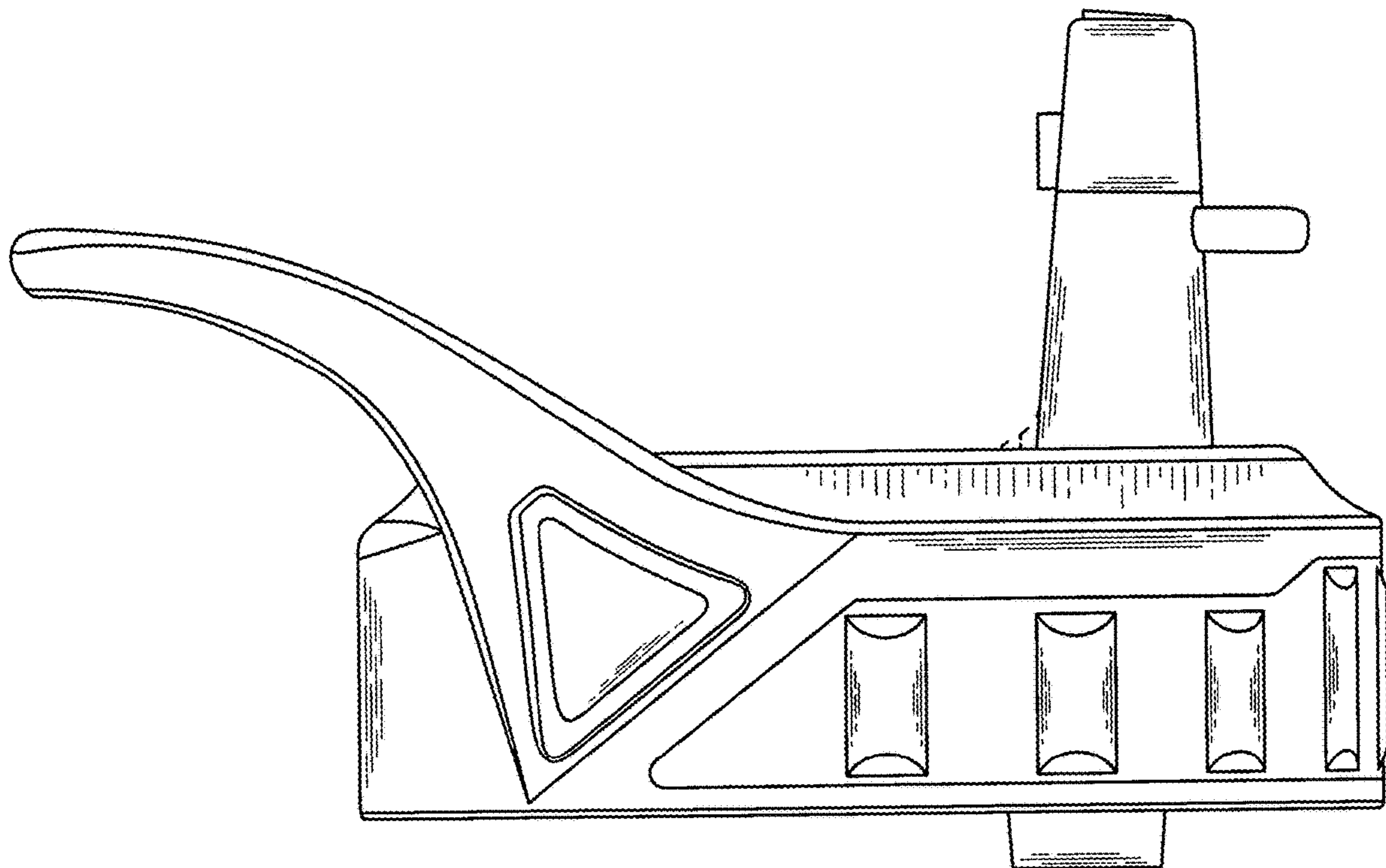


FIG. 4

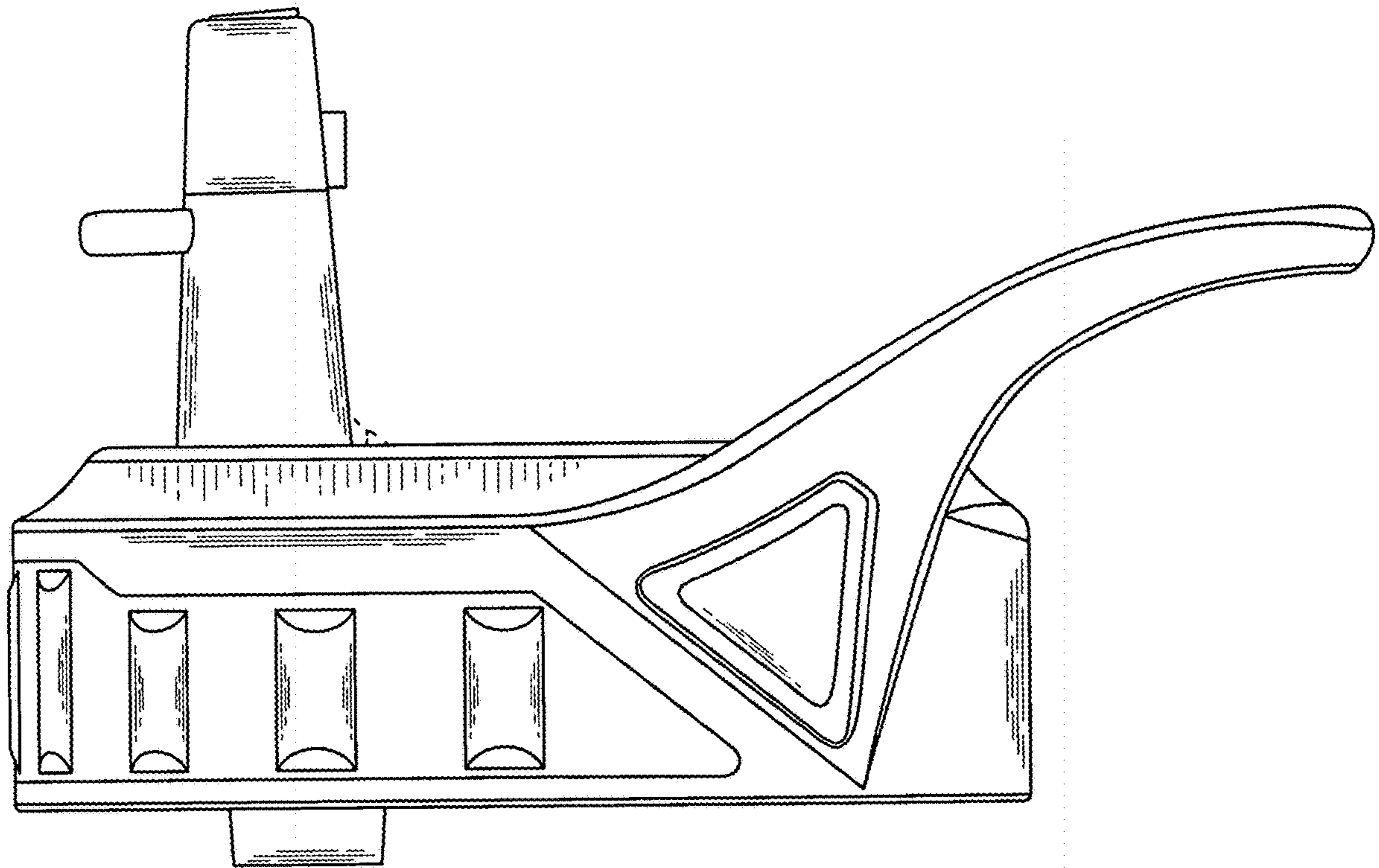


FIG. 5

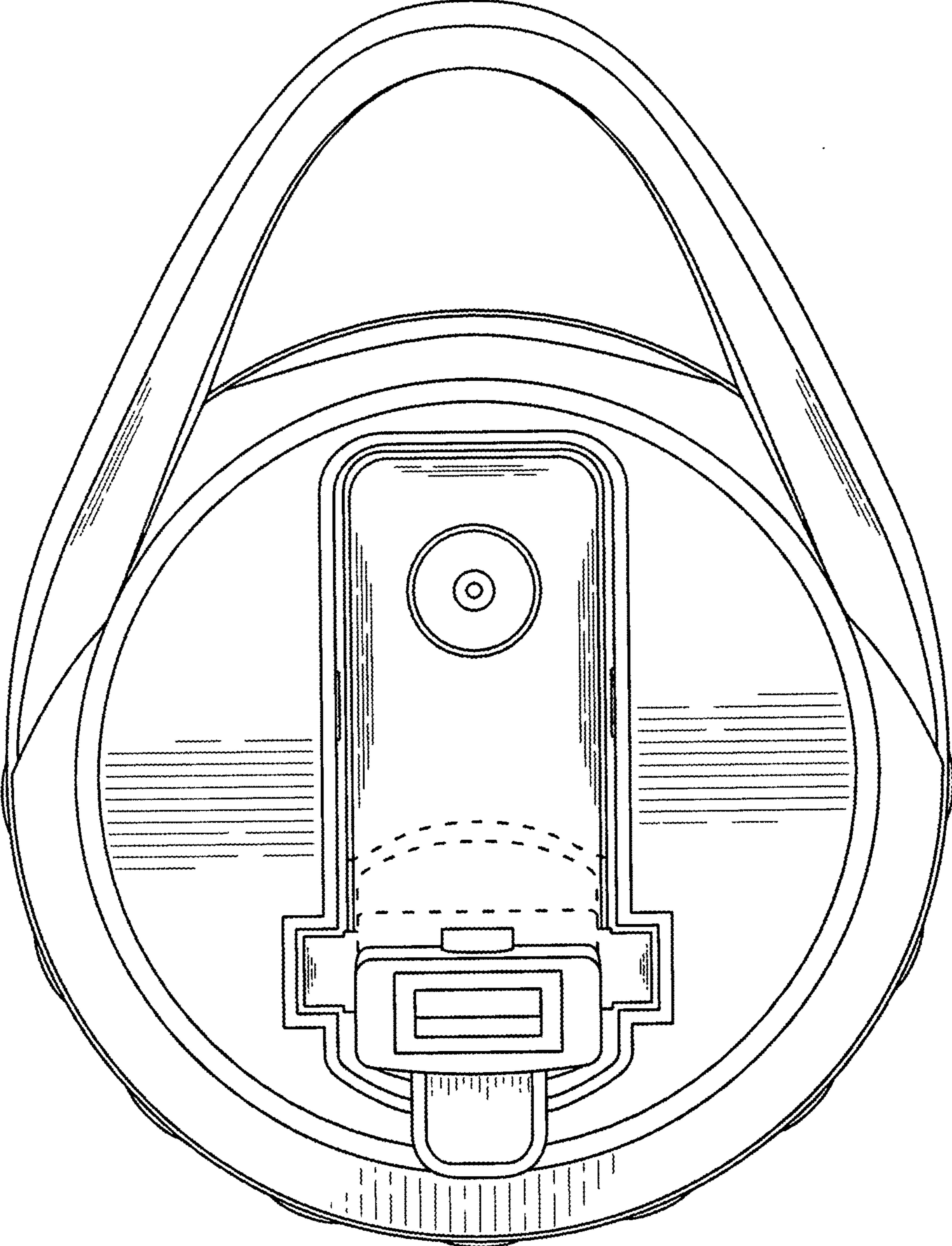


FIG. 6

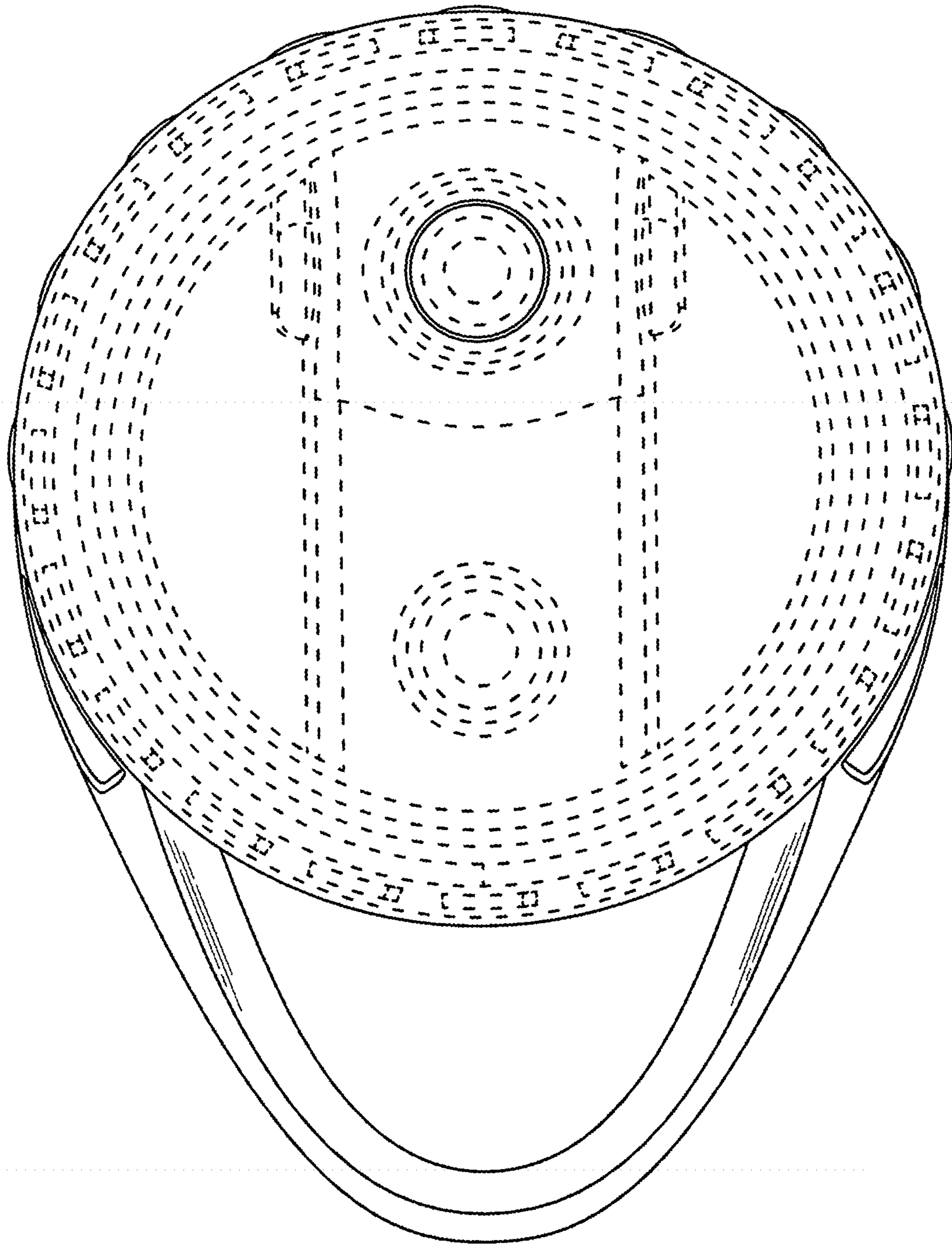


FIG. 7