



US00D939885S

(12) **United States Design Patent** (10) **Patent No.:** **US D939,885 S**
Vallee (45) **Date of Patent:** **** Jan. 4, 2022**

(54) **COOKWARE**

(56) **References Cited**

(71) Applicant: **BRETAGNE CERAMIQUE
INDUSTRIE-BCI SOCIÉTÉ PAR
ACTIONS SIMPLIFIÉE**, Languidic
(FR)

U.S. PATENT DOCUMENTS

(72) Inventor: **Vincent Vallee**, Languidic (FR)

D229,654 S *	12/1973	Croyle	D7/542
D231,303 S *	4/1974	Croyle	D7/545
D281,480 S *	11/1985	McClelland	D7/356
D326,797 S *	6/1992	Pomroy	D7/354
D338,807 S *	8/1993	Conti	D7/354
D563,175 S *	3/2008	Levien	D7/545
D568,108 S *	5/2008	Levien	D7/538
D599,623 S *	9/2009	de Groote	D7/545
D704,501 S *	5/2014	Stubbe	D7/360
D708,893 S *	7/2014	Henry	D7/360
D744,776 S *	12/2015	Seyers	D7/354
D829,488 S *	10/2018	Allen	D7/354
D915,124 S *	4/2021	Vallee	D7/354

(**) Term: **15 Years**

(21) Appl. No.: **29/688,203**

(22) Filed: **Apr. 18, 2019**

(30) **Foreign Application Priority Data**

Oct. 18, 2018 (EM) 005802154-0003

(51) **LOC (13) Cl.** **07-02**

(52) **U.S. Cl.**
USPC **D7/354**

(58) **Field of Classification Search**
USPC D7/323, 332, 335-337, 354-364,
D7/387-388, 402, 407-409, 538, 542,
D7/545

CPC A21B 2/00; A21B 3/00; A21B 3/13; A21B
3/15; A21B 5/00; A21B 5/02; A23N
12/06; A23N 12/08; A23N 12/10; A45D
2/002; A47J 37/00; A47J 37/04; A47J
37/041; A47J 37/042; A47J 37/06; A47J
37/0676; A47J 37/0688; A47J 37/0694;
A47J 37/07; A47J 37/0704; A47J 37/10;
A47J 47/20; A47J 2037/00; A47J
2037/06; A47J 2037/0611; A47J 2037/07;
A47J 2037/0786; A47J 2037/0795; B21D
53/74; F24C 15/024; F24C 15/10; F24C
15/12; F24C 15/14; F24C 15/16; F24C
15/18; F24C 15/164

See application file for complete search history.

* cited by examiner

Primary Examiner — Ricky Pham

(74) *Attorney, Agent, or Firm* — Egbert, McDaniel &
Swartz, PLLC

(57) **CLAIM**

The ornamental design for cookware, as shown and
described.

DESCRIPTION

FIG. 1 is a perspective view of cookware showing my new
design.

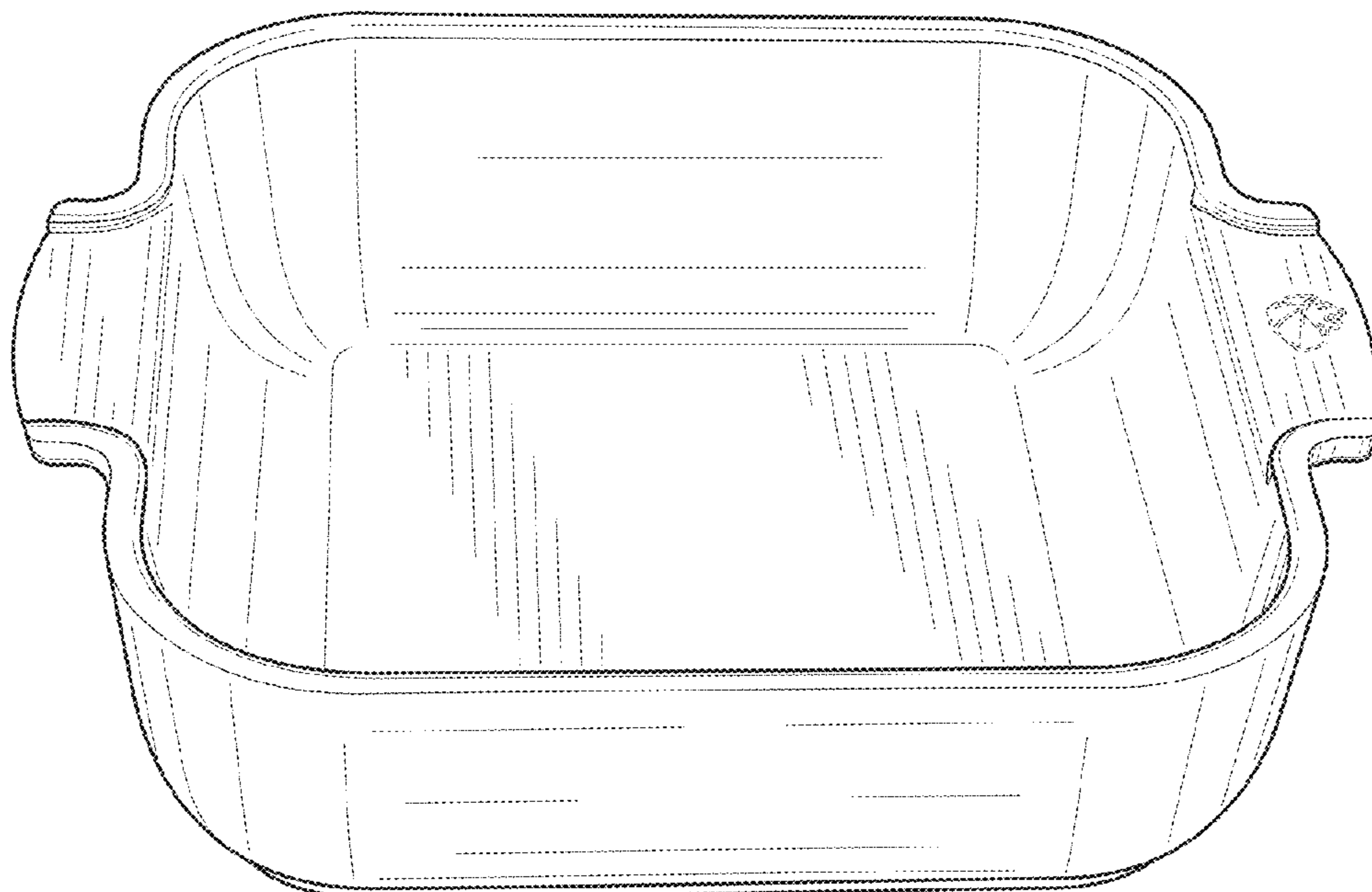
FIG. 2 is a front view thereof, a rear view being identical;
FIG. 3 is a side view thereof, an opposite side view being
identical;

FIG. 4 is a top view thereof; and,

FIG. 5 is a bottom view thereof.

The broken lines illustrate portions of the cookware that
form no part of the claimed design.

1 Claim, 2 Drawing Sheets



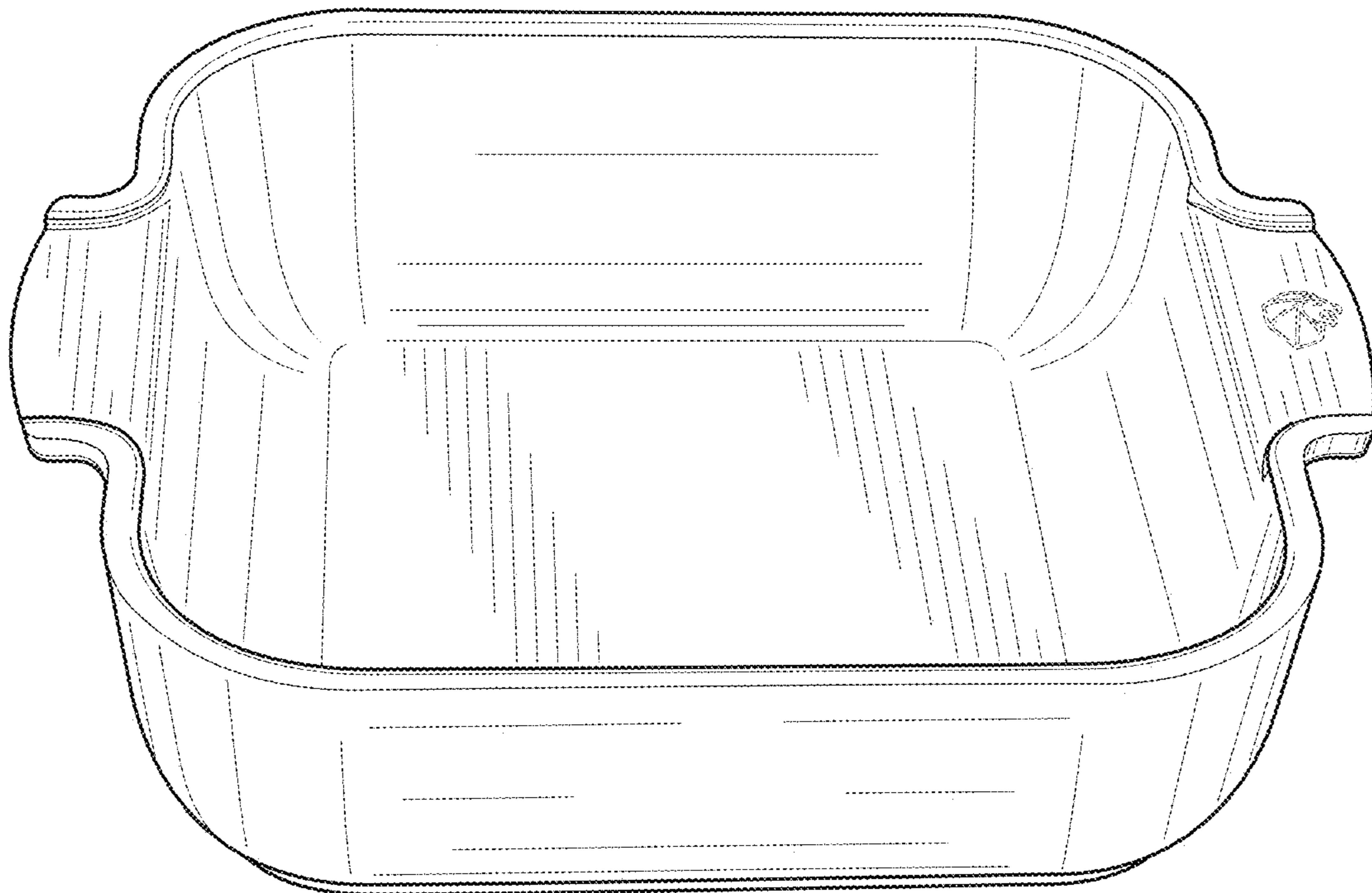


FIG. 1

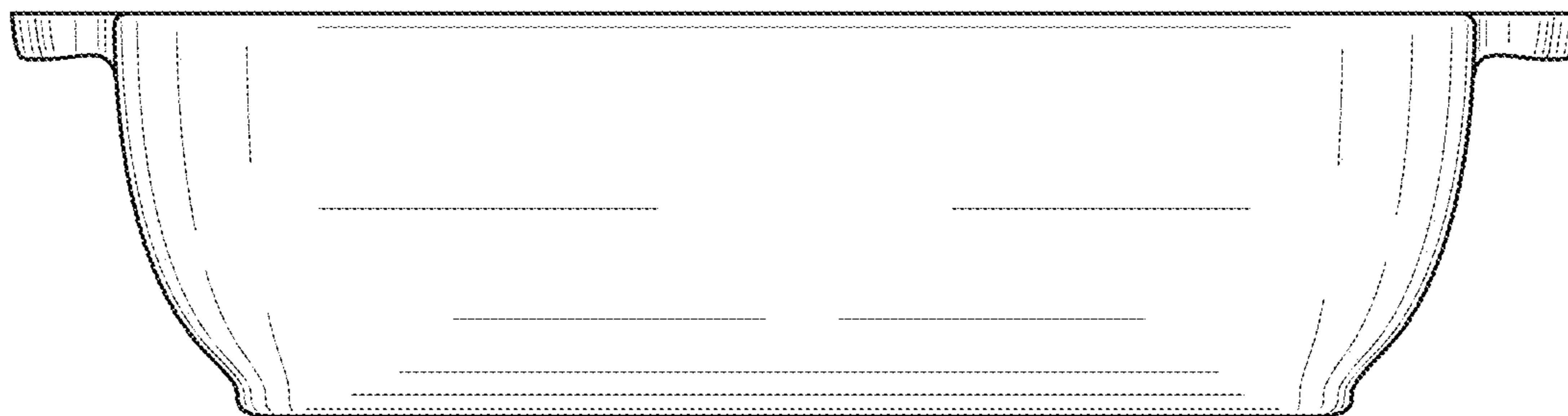


FIG. 2

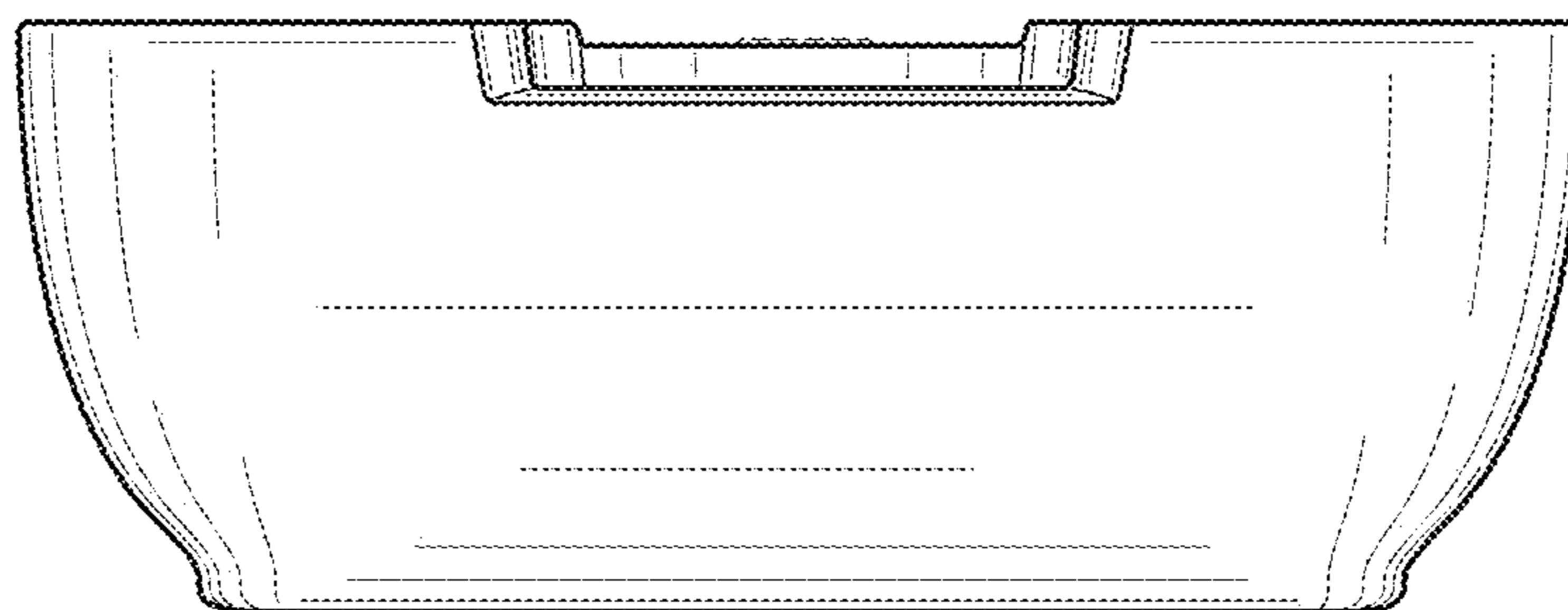


FIG. 3

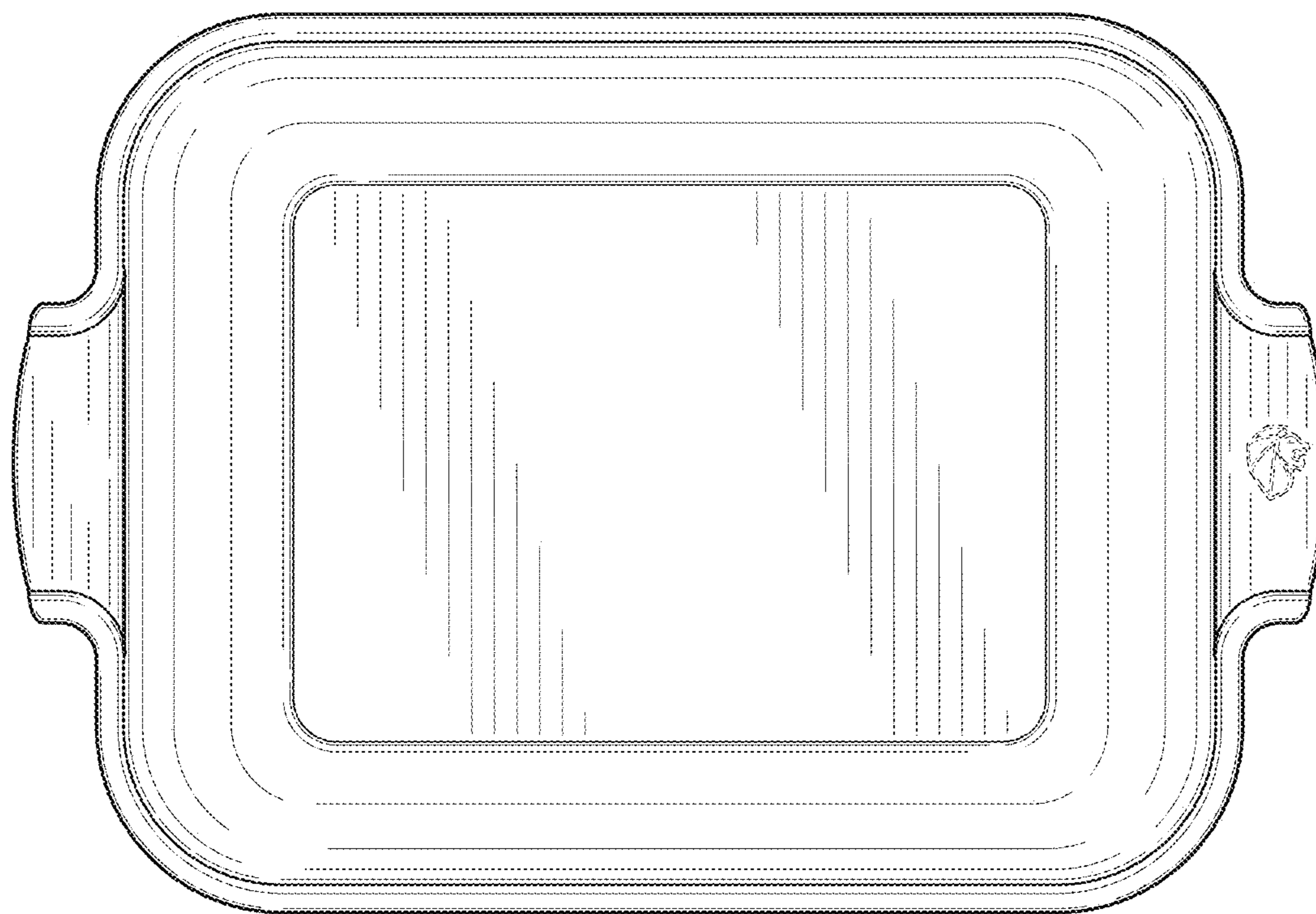


FIG. 4

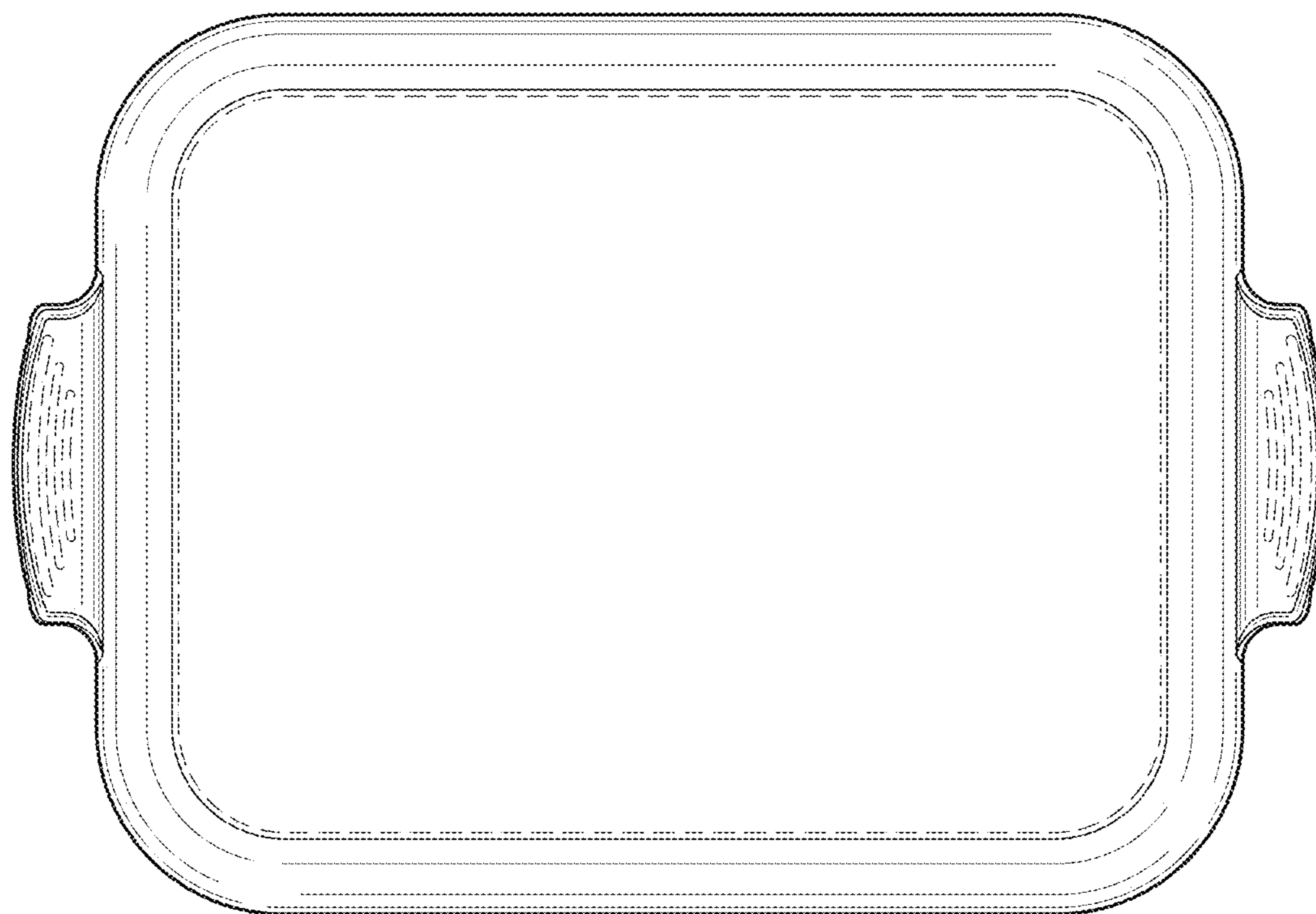


FIG. 5