



US00D939884S

(12) **United States Design Patent**
Huang et al.

(10) **Patent No.:** **US D939,884 S**
(45) **Date of Patent:** **** Jan. 4, 2022**

(54) **COOKING APPLIANCE**

- (71) Applicant: **WHIRLPOOL CORPORATION**,
Benton Harbor, MI (US)
- (72) Inventors: **XinFeng Huang**, Shenzhen (CN); **Yu Liu**, St. Joseph, MI (US); **Kyle A. Walters**, Benton Harbor, MI (US); **XunCai Zhang**, Shenzhen (CN); **Bin Huang**, Shenzhen (CN)
- (73) Assignee: **Whirlpool Corporation**, Benton Harbor, MI (US)

(**) Term: **15 Years**

(21) Appl. No.: **29/695,598**

(22) Filed: **Jun. 20, 2019**

(51) **LOC (13) Cl.** **07-02**

(52) **U.S. Cl.**
USPC **D7/349**

(58) **Field of Classification Search**

USPC D7/323, 328, 329, 330, 339, 340, 341, D7/342, 343, 344, 345, 346, 347, 348, D7/349, 351, 352, 365, 367, 390, 402, D7/403, 404, 405, 406, 407, 408, 409, D7/410, 411, 538, 543, 554.1, 554.2, 585
 CPC A21B 1/00; A21B 1/52; A21B 5/00; A21B 3/13; A21B 3/131; A21B 3/132; A21B 3/133; A21B 3/138; A21B 3/15; A21B 5/023; A47J 37/00; A47J 37/04; A47J 37/06; A47J 37/0623; A47J 37/0611; A47J 37/067; A47J 37/0605; A47J 37/0629; A47J 37/0676; A47J 27/60; A47J 27/62; A47J 36/022; A47J 36/025; A47J 36/027; A47G

(Continued)

(56) **References Cited**

U.S. PATENT DOCUMENTS

D329,164 S * 9/1992 Edman D7/351
 D338,801 S * 8/1993 Hessen D7/351

(Continued)

OTHER PUBLICATIONS

Whirlpool 1.1-cu ft Low Profile Over-the-Range Microwave in Stainless Steel, announced Nov. 1, 2018 [online], retrieved Aug. 10, 2020, retrieved from internet, <https://www.lowes.com/pd/Whirlpool-Low-Profile-Microwave-Hood-Combination-1-1-cu-ft-Over-the-Range-Microwave-Stainless-Steel/1000396353>.*

(Continued)

Primary Examiner — Dana K Weiland

Assistant Examiner — Messina L Smith

(74) *Attorney, Agent, or Firm* — Price Heneveld LLP

(57) **CLAIM**

The ornamental design for a cooking appliance, as shown and described.

DESCRIPTION

FIG. 1 is a perspective view of a cooking appliance according to the design;

FIG. 2 is a front view thereof;

FIG. 3 is a back view thereof;

FIG. 4 is a right view thereof;

FIG. 5 is a left view thereof;

FIG. 6 is a top view thereof; and,

FIG. 7 is a bottom view thereof.

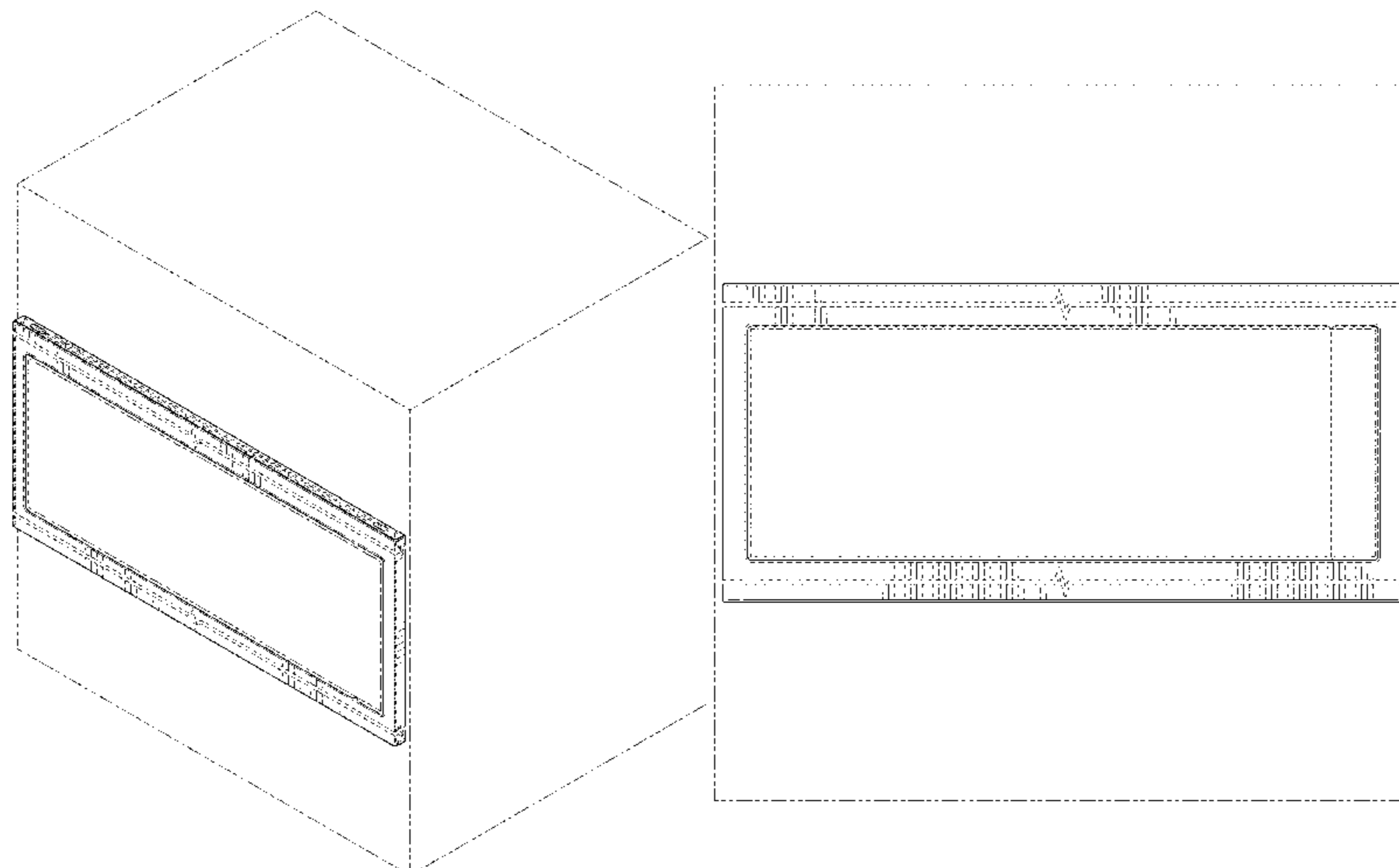
Dash-dot-dot-dash broken lines show environment only and form no part of the claimed design.

The portions of the cooking appliance shown in even broken line form no part of the claimed design.

Dash-dot-dash lines adjacent to the un-shaded areas depict the boundary of the claim and form no part of the claimed design.

The pairs of closely adjacent, spaced jagged broken lines in the drawings form no part of the claimed design and the portions between such pairs of jagged broken lines are broken away to disclose indeterminate length. The appearance of any portion of the design between the jagged lines form no part of the claimed design.

1 Claim, 7 Drawing Sheets



(58) **Field of Classification Search**

CPC 19/02; A47G 19/027; A47G 19/22; F24C
 1/00; F24C 3/00; F24C 3/002; F24C
 3/008; F24C 5/00; F24C 7/00; F24C
 7/002; F24C 7/043; F24C 7/062; F24C
 11/00; F24C 15/02; F24C 15/04; F24C
 15/10

See application file for complete search history.

(56) **References Cited**

U.S. PATENT DOCUMENTS

D455,046	S	*	4/2002	Hwang	D7/405
D584,101	S	*	1/2009	Kim	D7/351
D717,581	S	*	11/2014	Kim	D7/351
D764,229	S	*	8/2016	Chung	D7/405
D772,645	S	*	11/2016	Kim	D7/405
D774,355	S	*	12/2016	Roberson	D7/406
D781,638	S	*	3/2017	Chung	D7/351
D794,389	S	*	8/2017	Hessen	D7/405
D813,591	S	*	3/2018	Baacke	D7/339
D821,798	S	*	7/2018	Jeon	D7/339
D823,043	S	*	7/2018	Jeon	D7/339
D829,051	S	*	9/2018	Kim	D7/407
D836,376	S	*	12/2018	Kim	D7/351
D836,378	S	*	12/2018	Kim	D7/351
D850,852	S	*	6/2019	Jeon	D7/402
D859,053	S	*	9/2019	Baacke	D7/339

D861,426	S	*	10/2019	Kang	D7/405
D862,165	S	*	10/2019	Jung	D7/405
D871,135	S	*	12/2019	Sadtler	D7/399
D873,064	S	*	1/2020	Kim	D7/351
D880,218	S	*	4/2020	Kim	D7/349
D893,253	S	*	8/2020	Kwon	D7/405
10,842,155	B2	*	11/2020	Chatot	A23L 5/17
D909,811	S	*	2/2021	Pille	D7/405
D922,124	S	*	6/2021	Prentice	D7/351
D927,241	S	*	8/2021	Huang	D7/351
2005/0173399	A1	*	8/2005	Yoshidome	H05B 6/763 219/403
2009/0289057	A1	*	11/2009	Yoshidome	H05B 6/6414 219/725
2017/0328577	A1	*	11/2017	Reinhard-Herrscher	F24C 15/006
2018/0045420	A1	*	2/2018	Yeo	F24C 7/00
2018/0153004	A1	*	5/2018	Jang	H05B 6/766

OTHER PUBLICATIONS

Whirlpool 2.2-cu ft 1700-Watt Countertop Microwave, announced May 22, 2018 [online], retrieved Aug. 10, 2020, retrieved from internet, https://www.lowes.com/pd/Whirlpool-2-2-cu-ft-1700-Countertop-Microwave-Fingerprint-Resistant-Stainless-Steel/1000306995?cm_mmc=shp_-c_-prd_-app_-google_-pla_-186_-soscounter.*

* cited by examiner

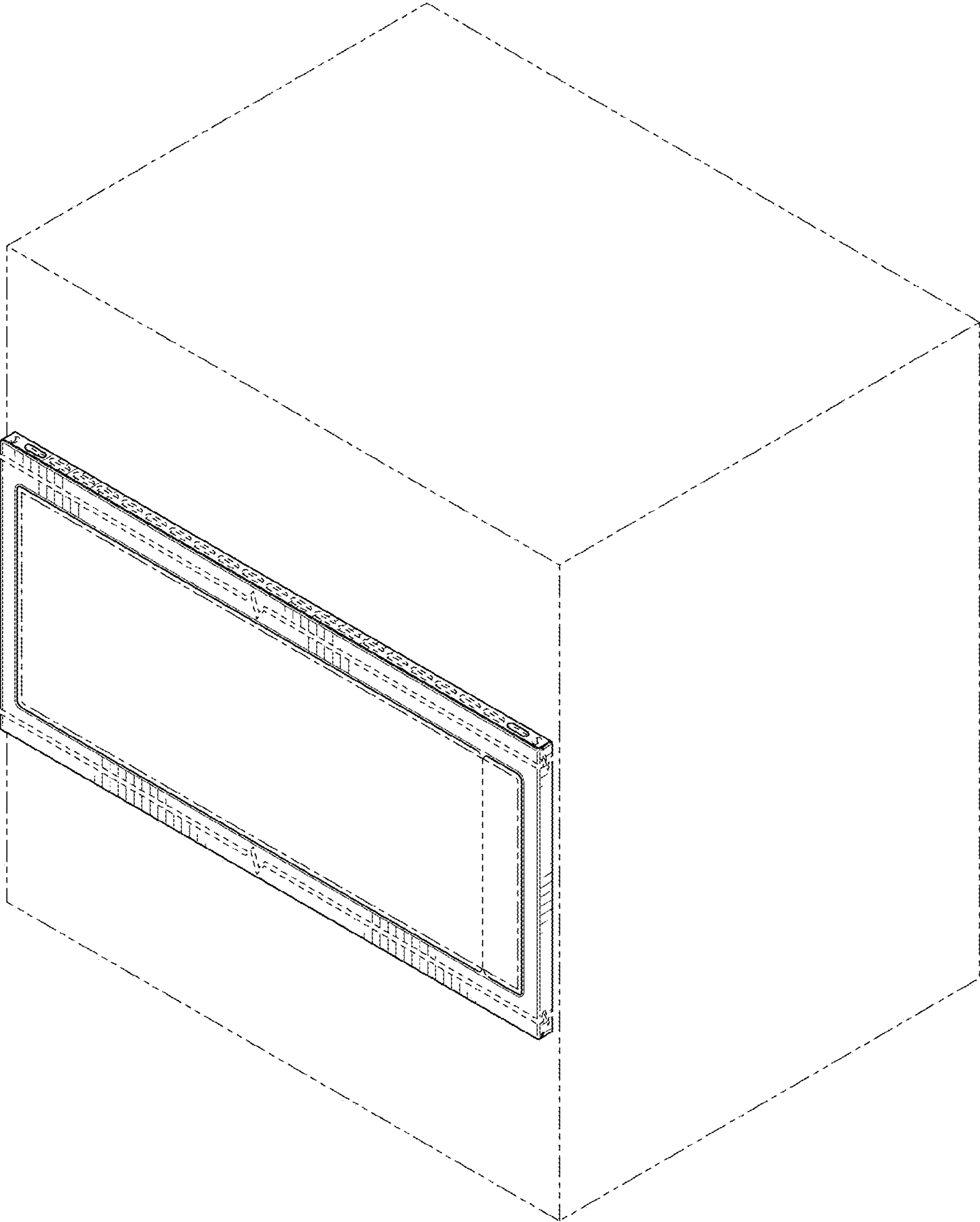


FIG. 1

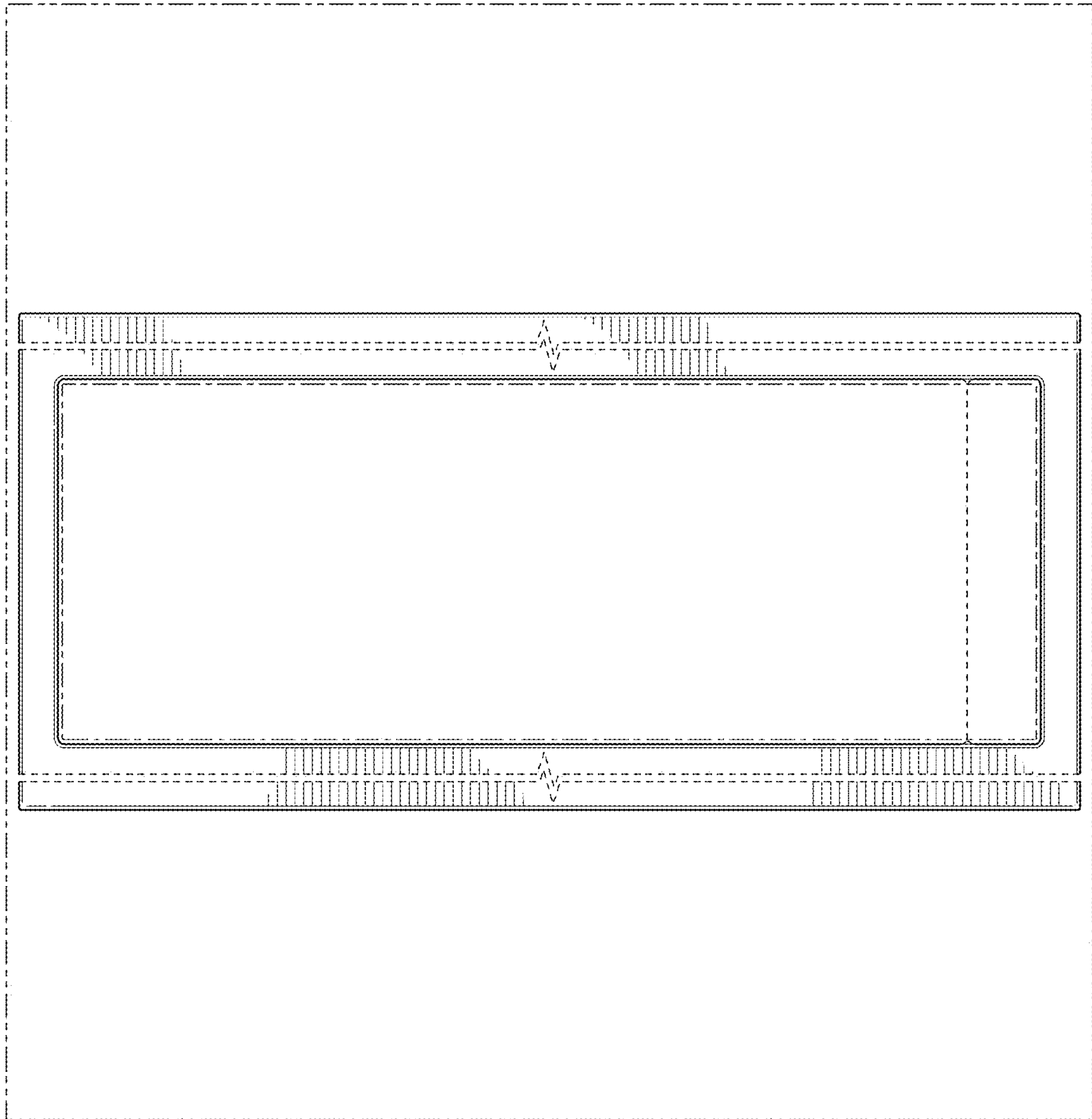


FIG. 2



FIG. 3

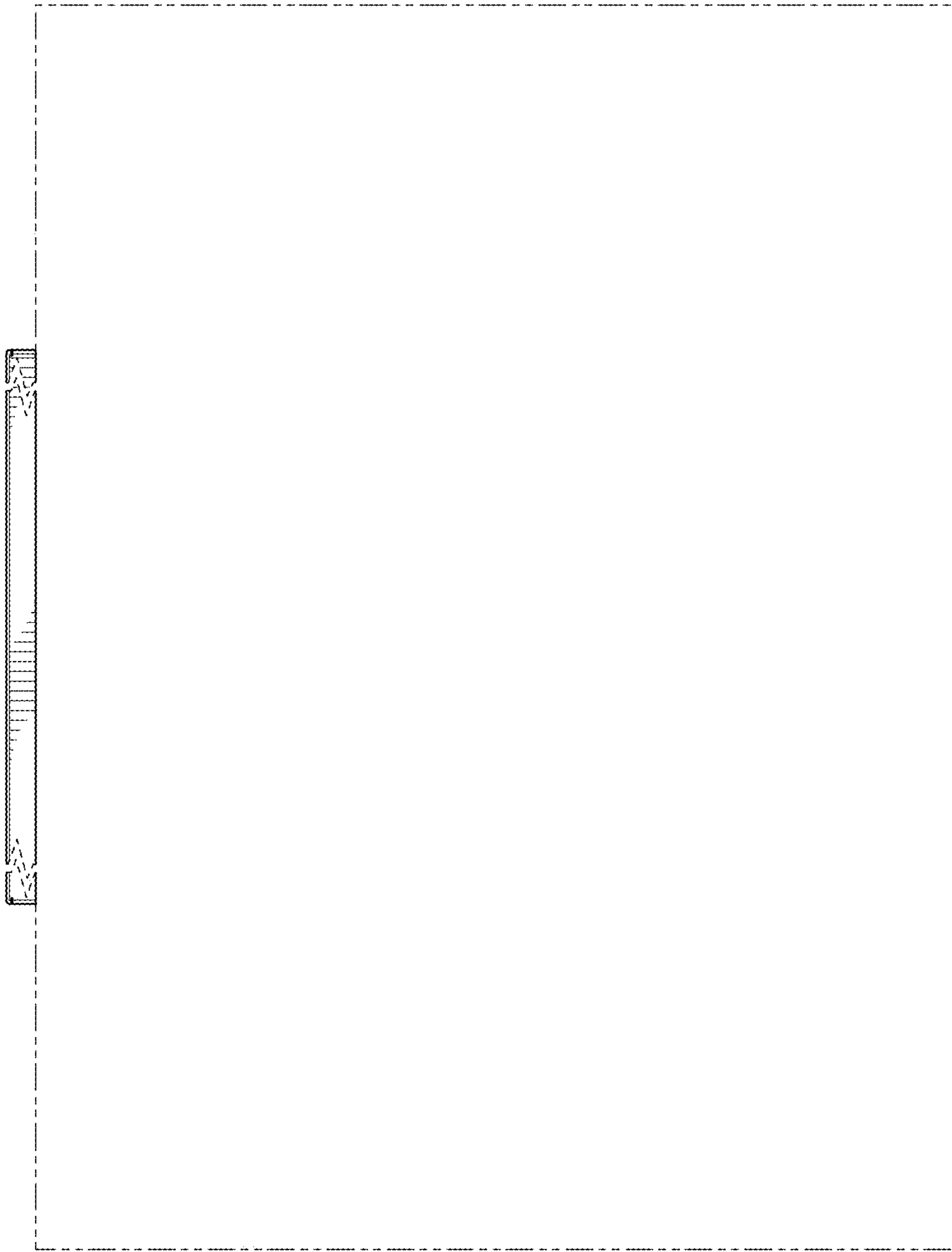


FIG. 4

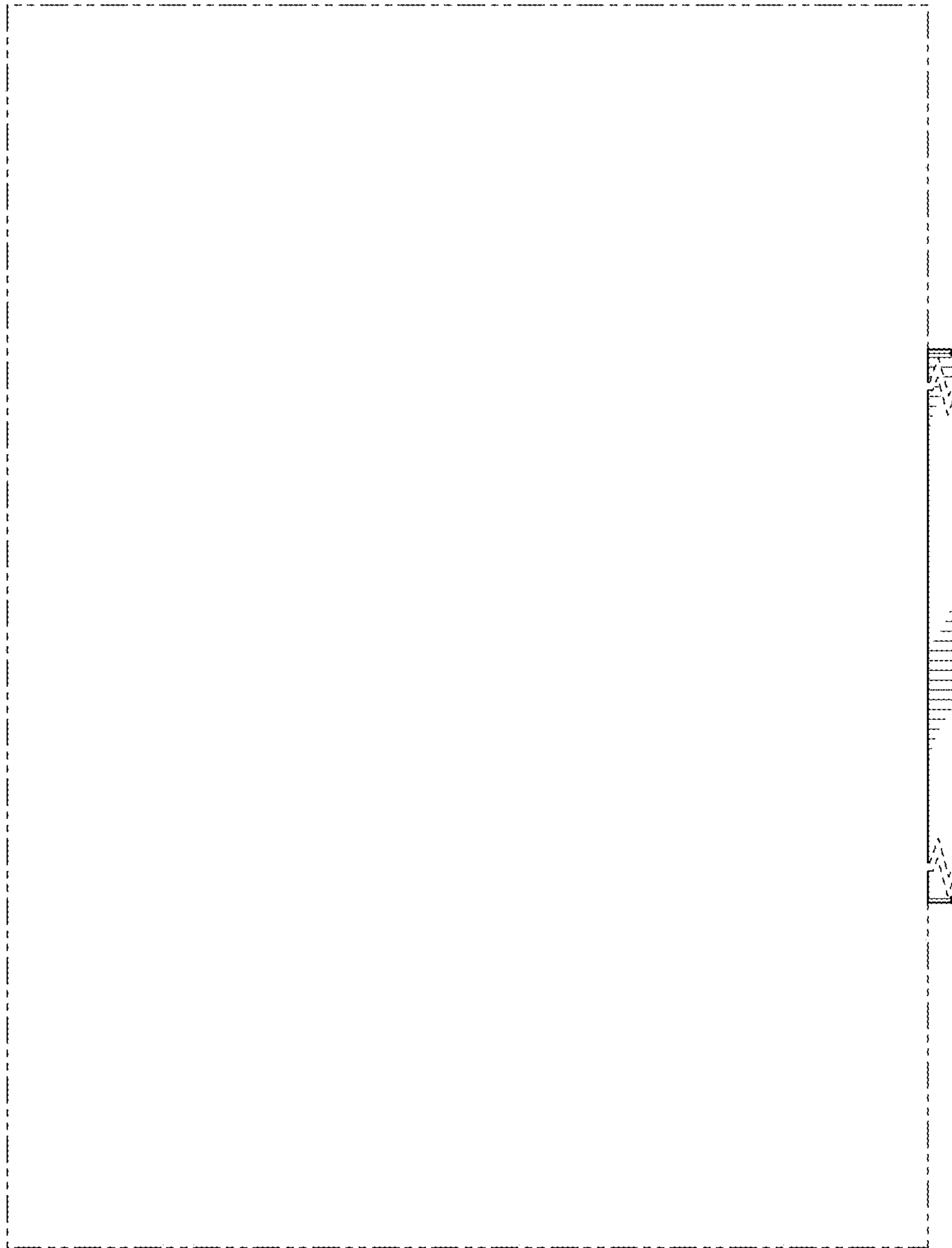


FIG. 5



FIG. 6

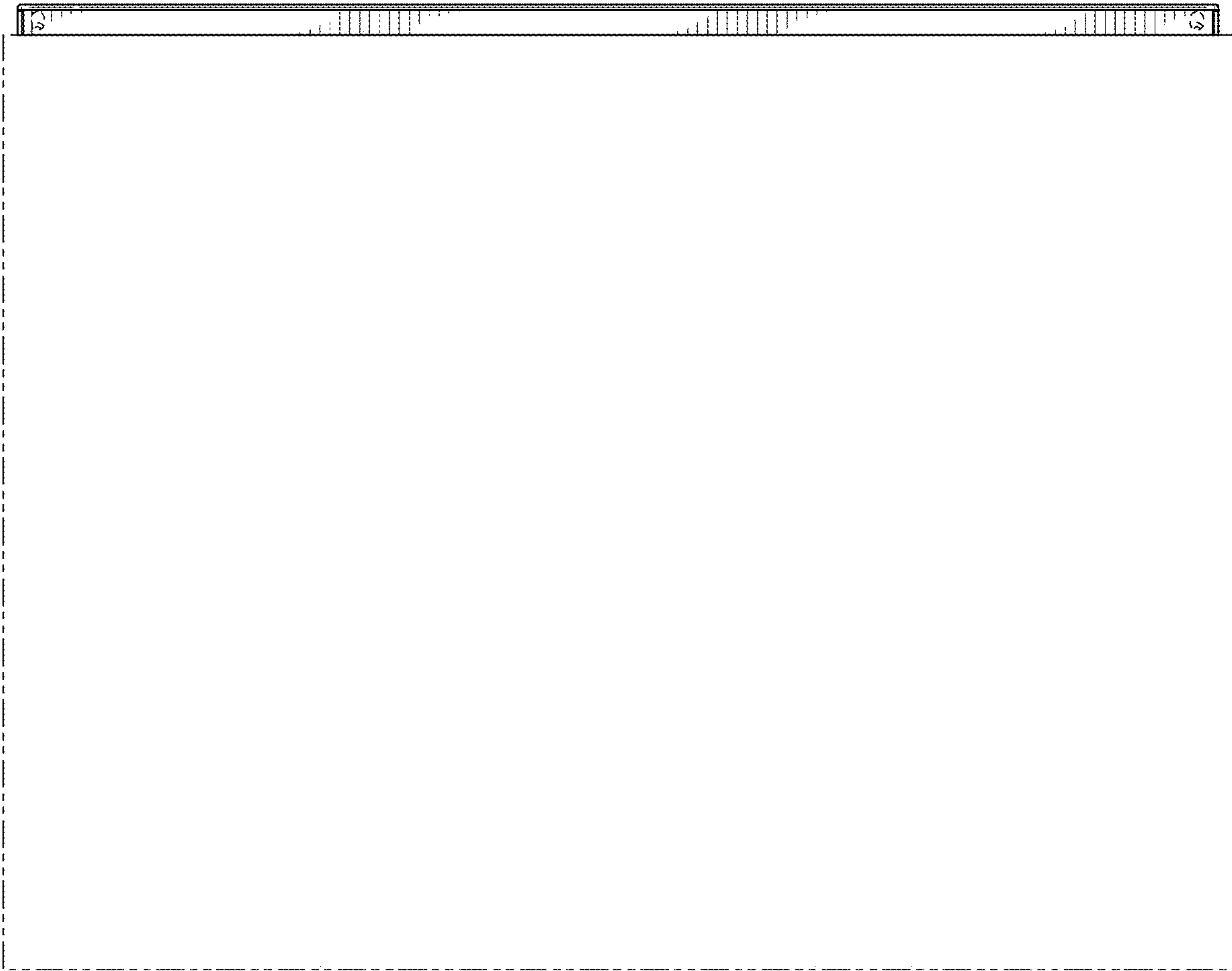


FIG. 7