

US00D939883S

(12) **United States Design Patent**
Bonfiglioli

(10) **Patent No.:** **US D939,883 S**

(45) **Date of Patent:** **** Jan. 4, 2022**

(54) **OVEN**

(71) Applicant: **ALI GROUP S.R.L.—OEM**, Cernusco Sul Naviglio (IT)

(72) Inventor: **Giacomo Bonfiglioli**, Anzola Dell’Emilia (IT)

(73) Assignee: **ALI GROUP S.R.L.—OEM**, Cernusco Sul Naviglio (IT)

(**) Term: **15 Years**

(21) Appl. No.: **29/737,373**

(22) Filed: **Jun. 8, 2020**

(30) **Foreign Application Priority Data**

Dec. 20, 2019 (EM) 007438361

(51) **LOC (13) Cl.** **07-02**

(52) **U.S. Cl.**
USPC **D7/348**

(58) **Field of Classification Search**

USPC D7/323, 328–330, 339–349, 350.1, 351, D7/390, 402–406; D8/300–306; D21/336, 834; D25/7

CPC ... A21B 2/00; A47J 37/00; A47J 37/06; A47J 37/0611; A47J 37/0713; A47J 37/08; A47J 37/0807; A47J 37/0814; A47J 37/0835; A47J 37/0842; A47J 37/085; A47J 37/0864; A47J 37/0878; A47J 37/0885; A47J 37/0892; E04B 1/3211; F24C 7/00; F24C 7/002; F24C 7/046; F24C 7/067; F24C 15/02; F24C 15/04; F24C 15/10; F24C 15/102

See application file for complete search history.

(56) **References Cited**

U.S. PATENT DOCUMENTS

D193,239 S * 7/1962 Owles D25/7
3,284,969 A * 11/1966 Walters E04B 1/3211
52/81.4

D216,847 S * 3/1970 Per Gunnar D7/351
D303,606 S * 9/1989 Hatanaka D7/351
D344,871 S * 3/1994 Keller D7/348
D367,203 S * 2/1996 Sprouls 126/19 R
D577,947 S * 10/2008 Wimmer D7/350.1
D640,499 S * 6/2011 King D7/348
D831,772 S * 10/2018 Hanley D21/834
D849,466 S * 5/2019 Formisano D7/348
D865,872 S * 11/2019 Dufort D21/336
D880,217 S * 4/2020 Tseng D7/348
2015/0047512 A1 * 2/2015 Marra A47J 37/0713
99/339

* cited by examiner

Primary Examiner — Ricky Pham

(74) *Attorney, Agent, or Firm* — Shuttleworth & Ingersoll, PLC; Timothy Klima

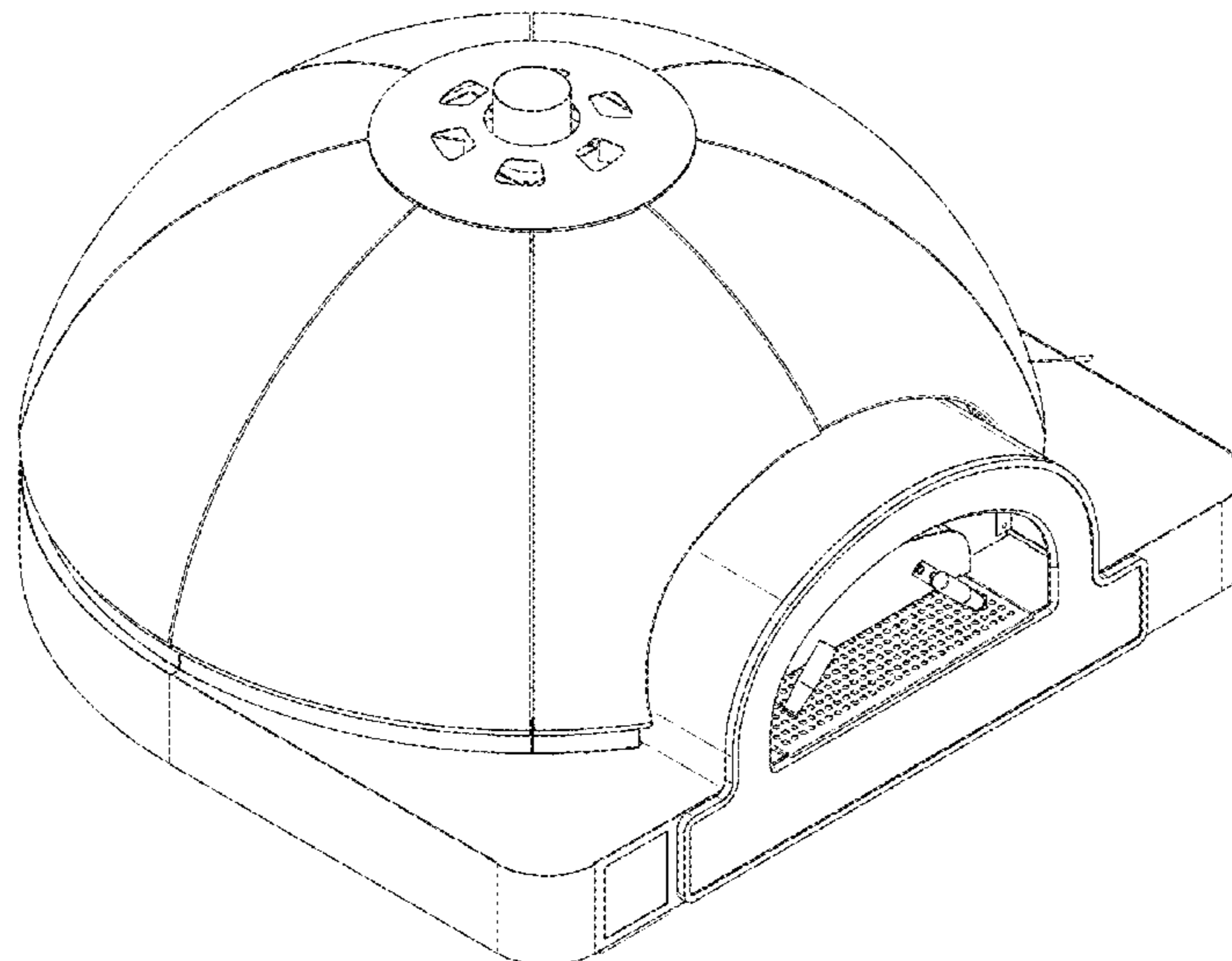
(57) **CLAIM**

The ornamental design for an oven, as shown and described.

DESCRIPTION

FIG. 1 is a left front perspective view of a first embodiment of an oven, according to the invention;
FIG. 2 is front view thereof;
FIG. 3 is a right side view thereof;
FIG. 4 is a left side view thereof;
FIG. 5 is a back view thereof;
FIG. 6 is a top view thereof; and,
FIGS. 7A-7D are enlargements of FIG. 2 of the lower portion of the oven, moving from left to right, showing in better detail the broken lines disclaiming the portions of the oven protruding downward from the bottom of the oven. The broken lines in the figures illustrate portions of the oven that form no part of the claimed design.

1 Claim, 5 Drawing Sheets



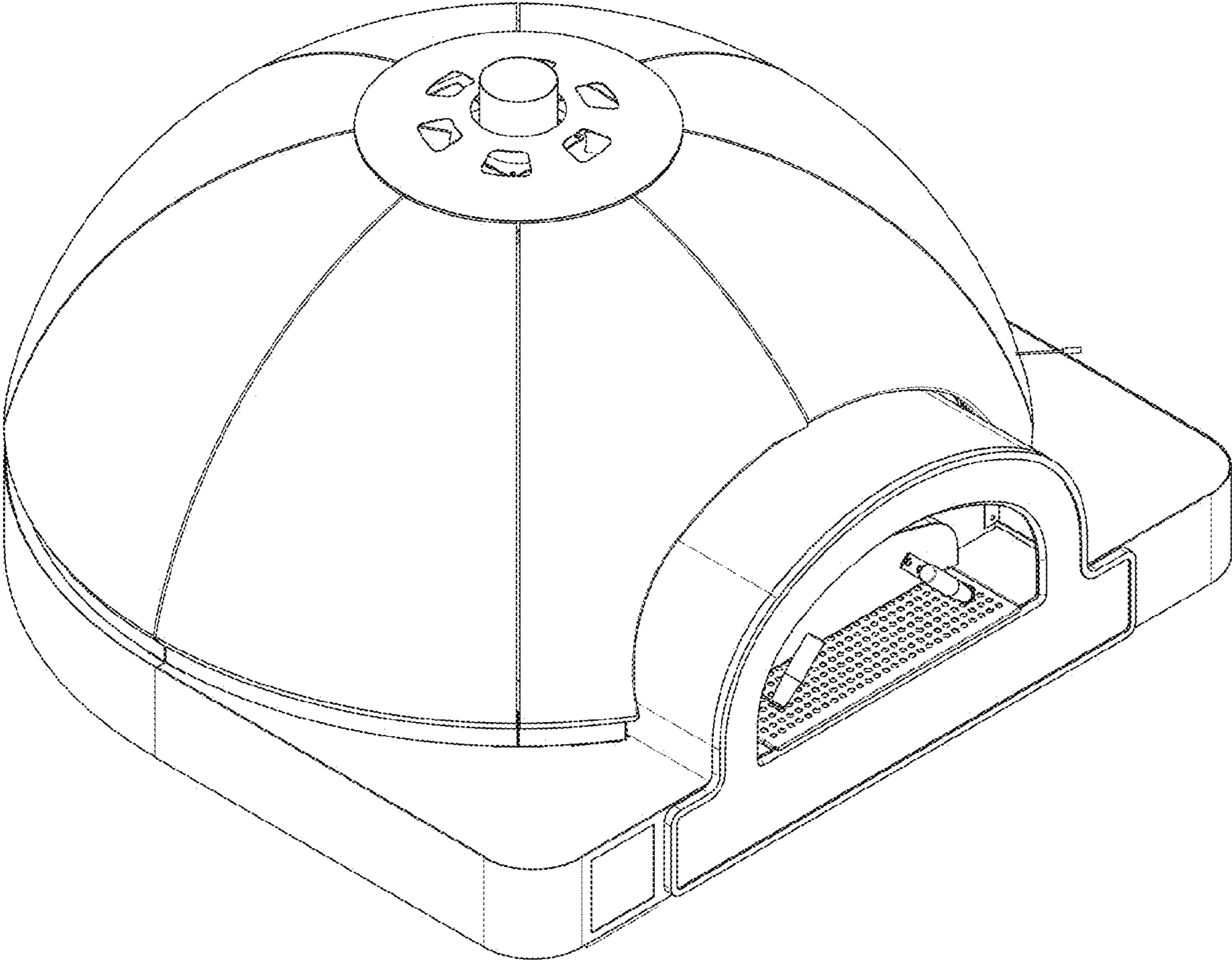


FIG. 1

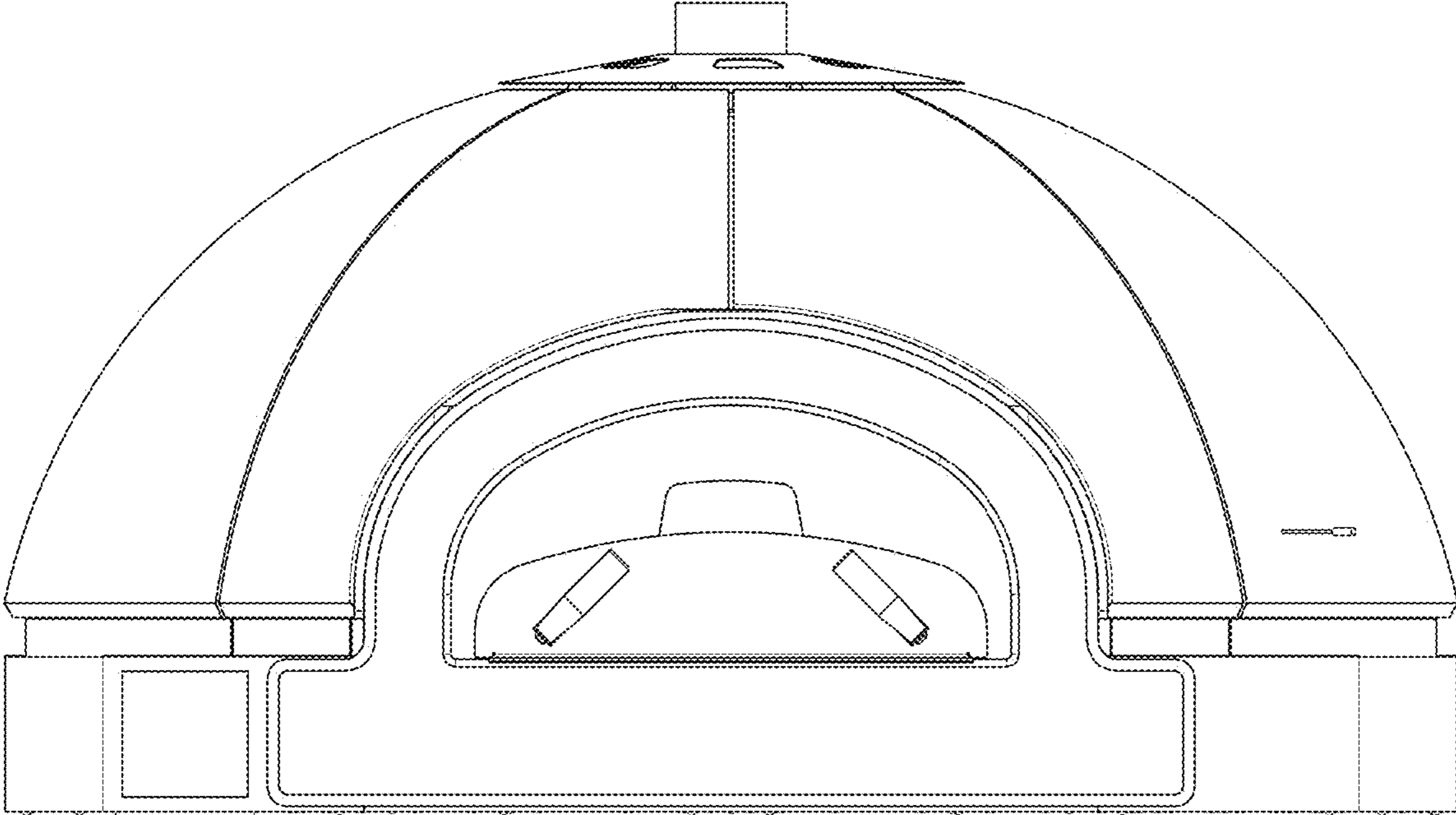


FIG. 2

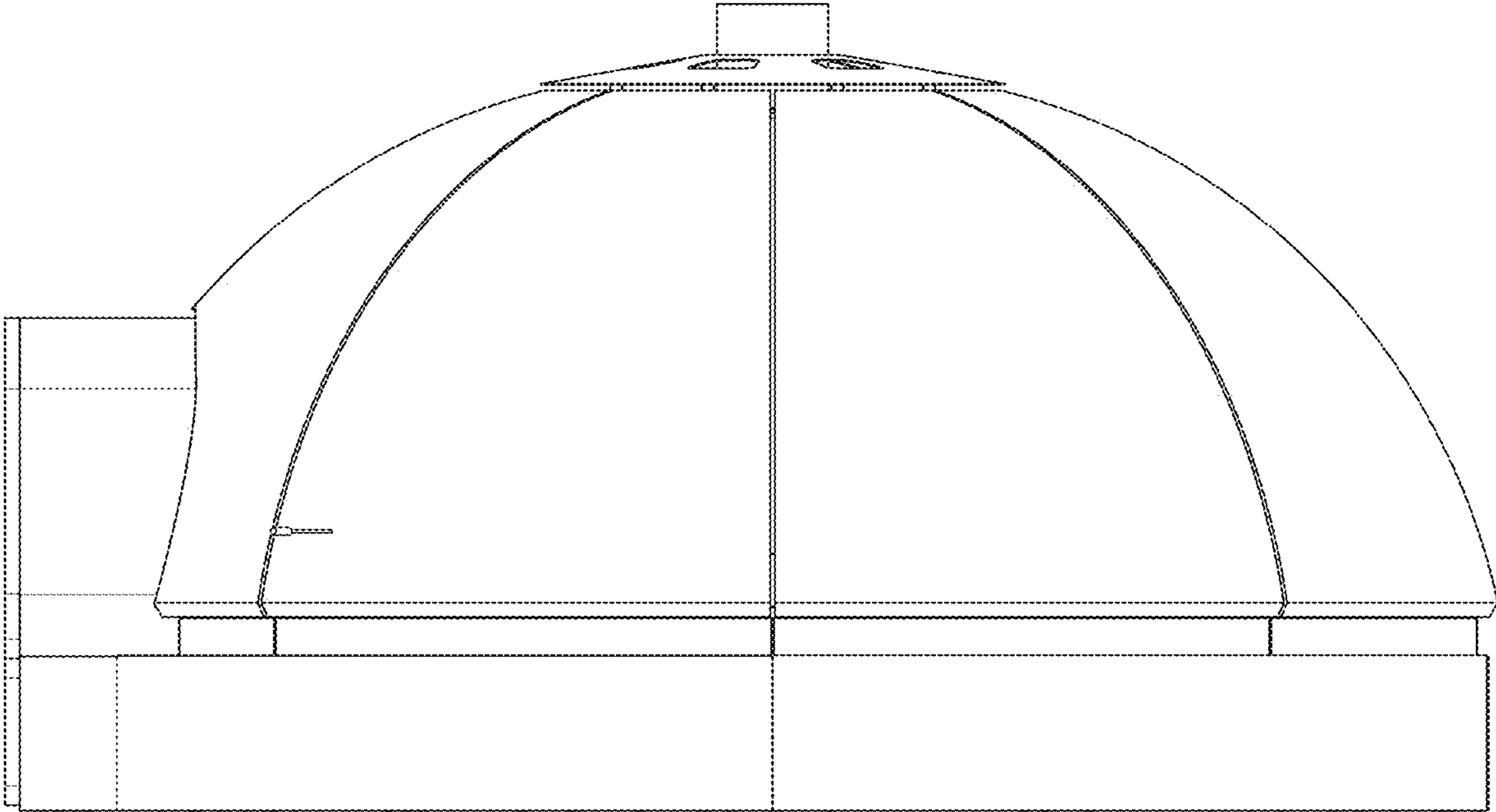


FIG. 3

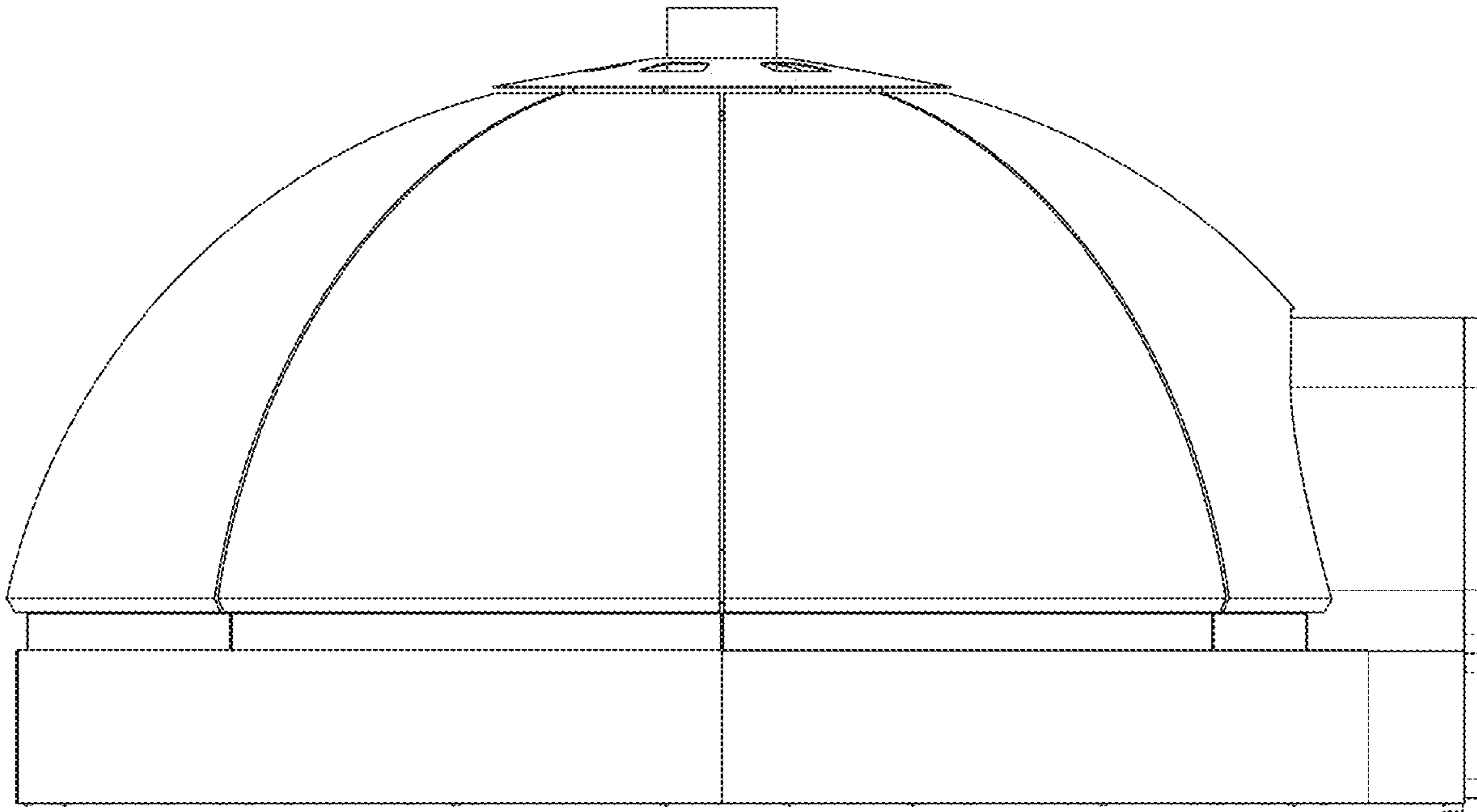


FIG. 4

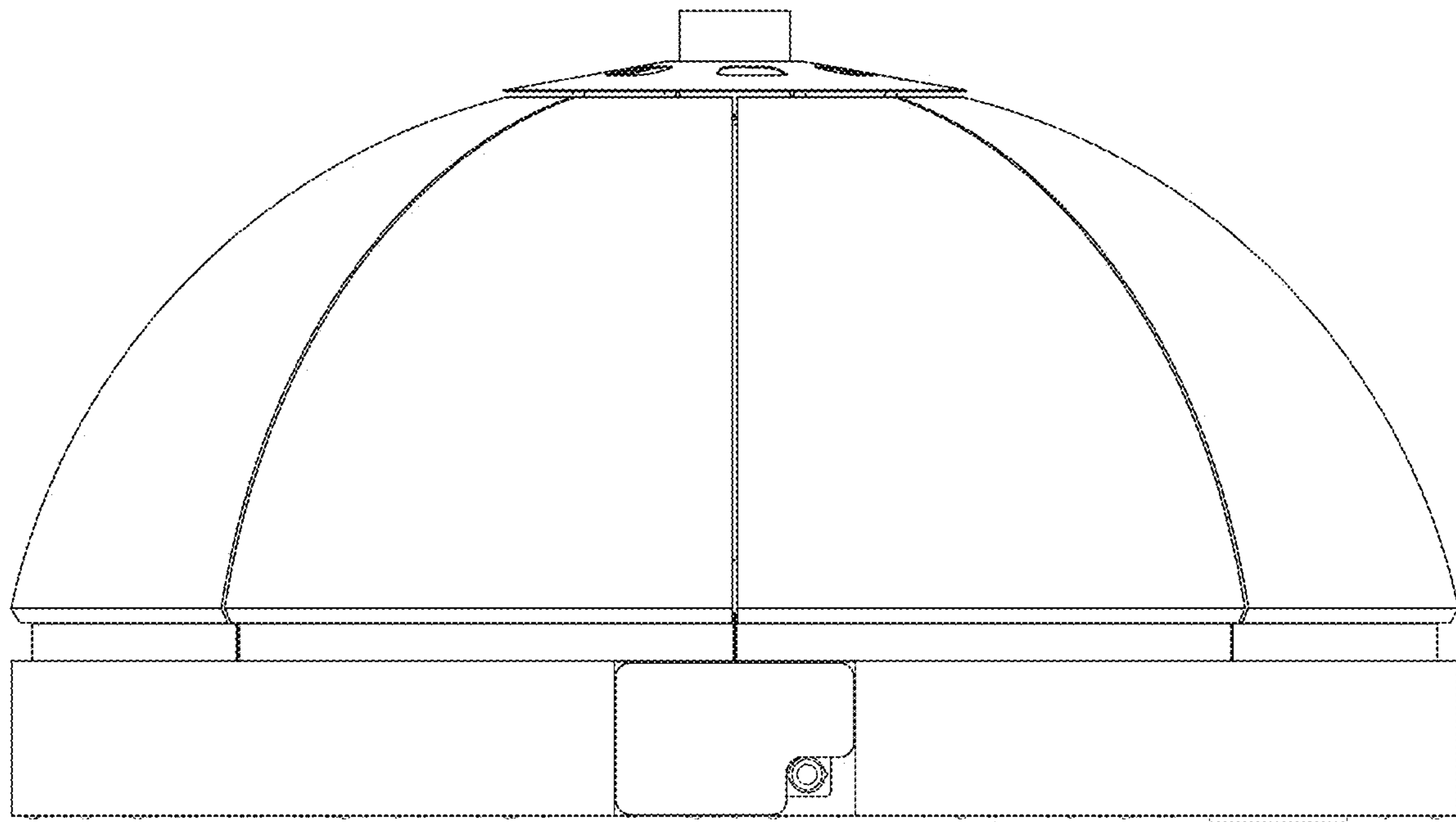


FIG. 5

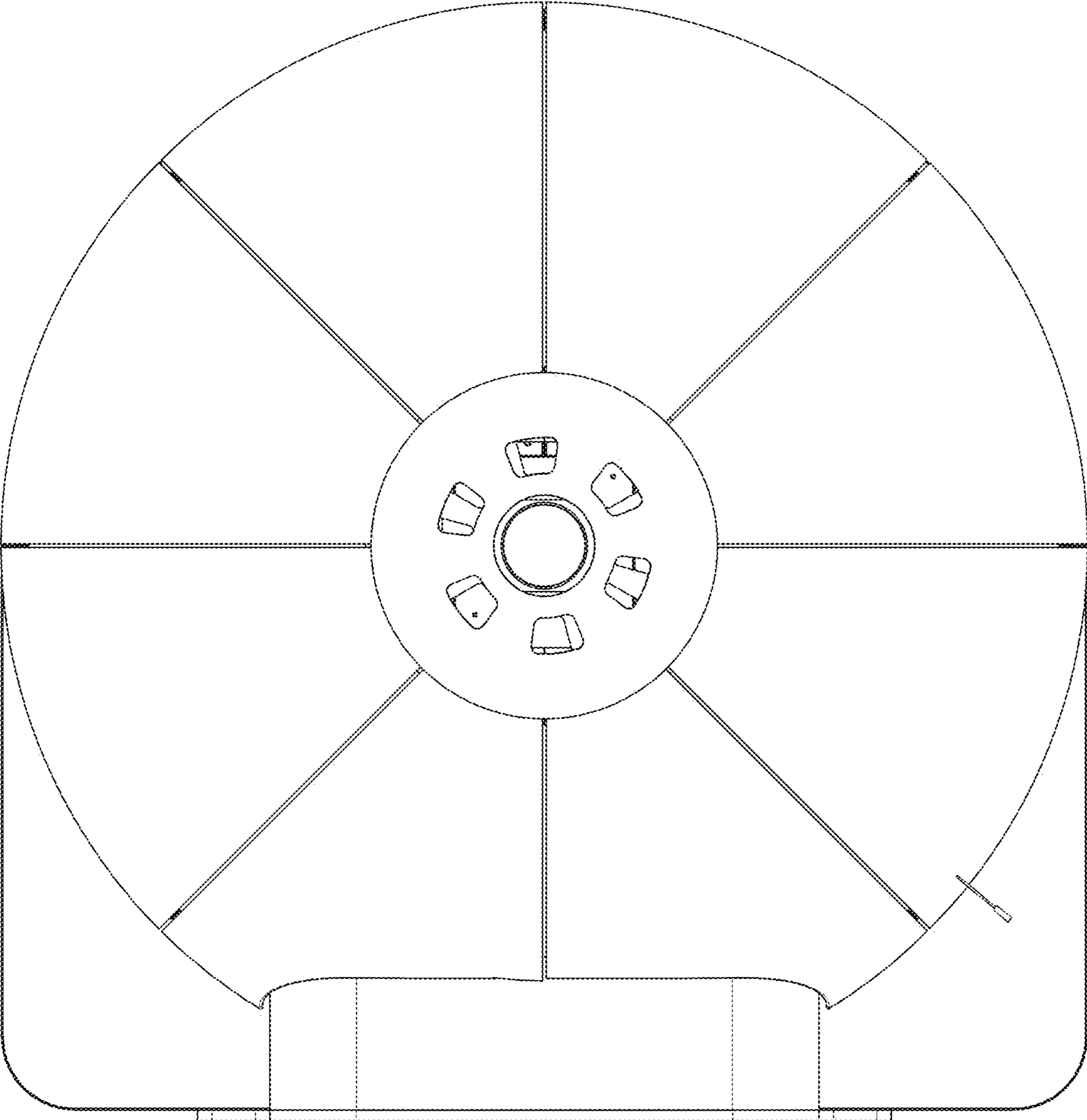


FIG. 6

FIG. 7A

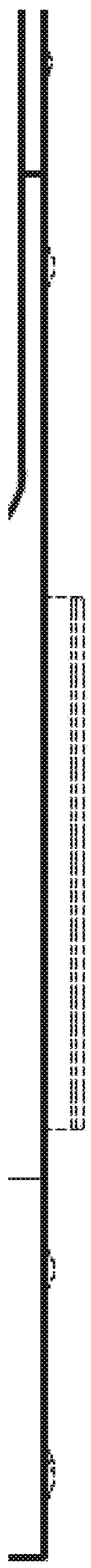


FIG. 7B

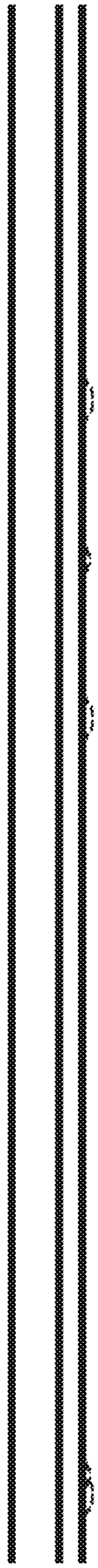


FIG. 7C



FIG. 7D

