



US00D939882S

(12) **United States Design Patent**
Veatch, III et al.

(10) **Patent No.:** **US D939,882 S**
(45) **Date of Patent:** **** Jan. 4, 2022**

- (54) **PORTABLE GRILL CASING**
- (71) Applicant: **Nomad Grills, LLC**, Dallas, TX (US)
- (72) Inventors: **John Joseph Veatch, III**, Dallas, TX (US); **Cameron Mills Leggett**, Dallas, TX (US)
- (73) Assignee: **Nomad Grills, LLC**, Dallas, TX (US)
- (**) Term: **15 Years**
- (21) Appl. No.: **29/769,358**
- (22) Filed: **Feb. 4, 2021**

- 4,392,477 A 7/1983 Milligan
 - D326,792 S * 6/1992 Rodgers D7/337
 - D353,488 S * 12/1994 Lin D3/276
 - D358,204 S 5/1995 Ferrier
 - D412,808 S * 8/1999 Hinton D7/362
 - D439,407 S * 3/2001 Parker D3/276
- (Continued)

Related U.S. Application Data

- (63) Continuation of application No. 29/711,390, filed on Oct. 30, 2019, now Pat. No. Des. 915,122, which is a continuation of application No. 16/265,639, filed on Feb. 1, 2019, now Pat. No. 11,000,155.
- (51) **LOC (13) Cl.** **07-02**
- (52) **U.S. Cl.**
USPC **D7/337; D3/294**
- (58) **Field of Classification Search**
USPC D7/332-337, 402-409, 352, 353, D7/360-362; D23/415; D3/276, 291, D3/294
CPC A47J 37/0704; A47J 37/0763; A47J 37/07; A47J 37/0786; A47J 2037/0777; A47J 37/0713; F24C 3/14; F24C 1/16; F24C 5/20
See application file for complete search history.

References Cited

U.S. PATENT DOCUMENTS

- D193,589 S 9/1962 Friday
- 3,478,194 A 11/1969 Lescure
- D227,850 S * 7/1973 Benson D7/337
- D245,220 S * 8/1977 Chan D7/337
- D251,893 S 5/1979 Chan

OTHER PUBLICATIONS

Pelican, Pelican 1200 Case With Foam, Dec. 6, 2007, Amazon, [https://www.amazon.com/Pelican-1200-Case-Foam-Black/dp/B0002INQT2/\(Year: 2007\).](https://www.amazon.com/Pelican-1200-Case-Foam-Black/dp/B0002INQT2/(Year: 2007).)*
(Continued)

Primary Examiner — Brett Miller
(74) *Attorney, Agent, or Firm* — Craige Thompson; Thompson Patent Law; Timothy D. Snowden

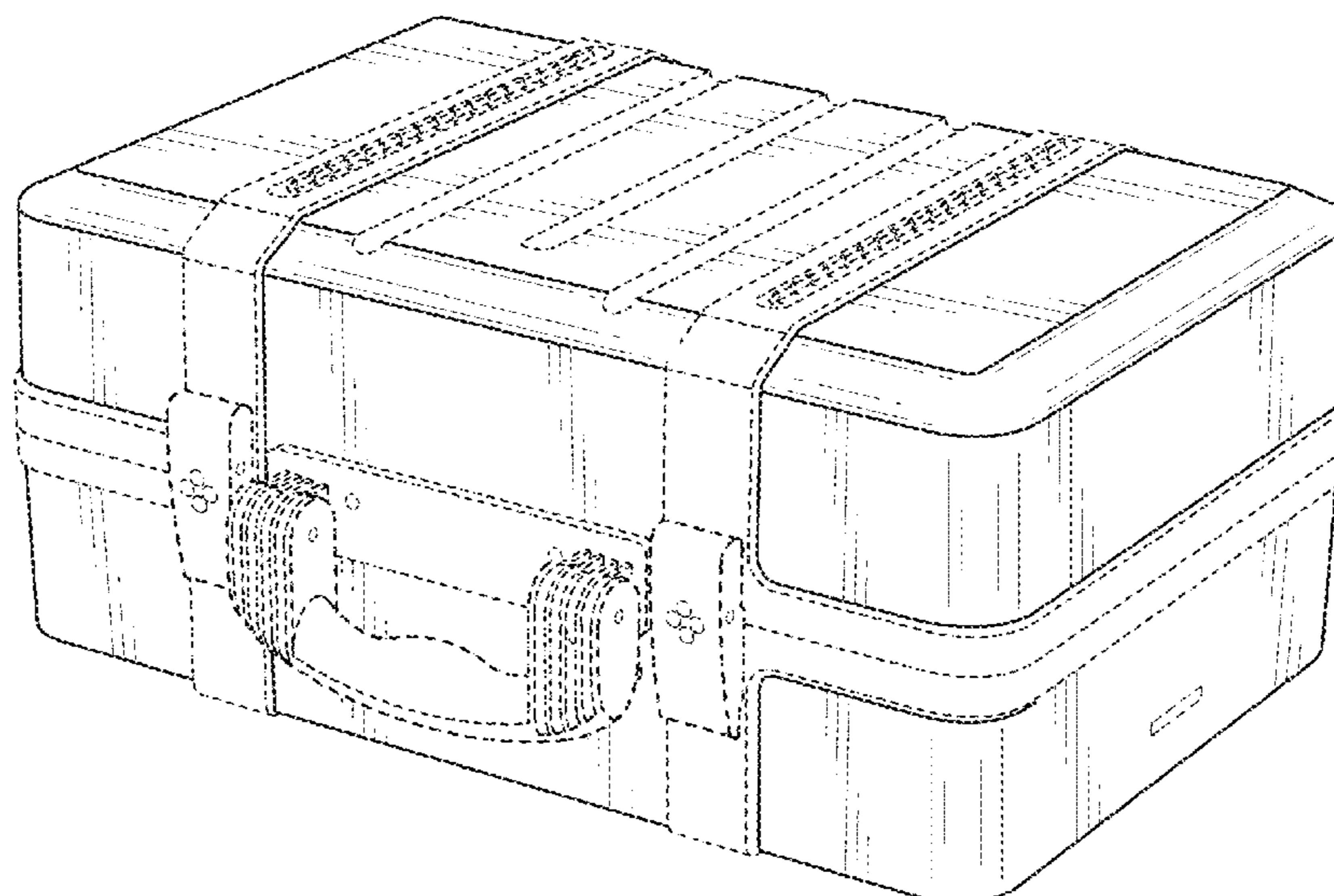
(57) **CLAIM**

The ornamental design for a portable grill casing, as shown and described.

DESCRIPTION

FIG. 1 is a front, top and right perspective view of a portable grill casing showing the new design; FIG. 2 is a front elevation view of the portable grill casing of FIG. 1; FIG. 3 is a back elevation view of the portable grill casing of FIG. 1; FIG. 4 is a top plan view of the portable grill casing of FIG. 1; FIG. 5 is a bottom plan view of the portable grill casing of FIG. 1; FIG. 6 is a left side elevation view of the portable grill casing of FIG. 1; and, FIG. 7 is a right side elevation view of the portable grill casing of FIG. 1. The broken lines illustrate portions of the portable grill casing that form no part of the claimed design.

1 Claim, 7 Drawing Sheets



(56)

References Cited

U.S. PATENT DOCUMENTS

D453,624 S * 2/2002 Itzkovitch D3/276
 D461,051 S 8/2002 Cheng
 D461,360 S * 8/2002 Bossier D7/337
 D469,298 S * 1/2003 Hinton D7/332
 6,644,298 B2 11/2003 Hermansen et al.
 D498,114 S * 11/2004 Zhang D7/337
 D549,036 S * 8/2007 Chung D7/337
 D576,444 S 9/2008 Chung
 D577,534 S 9/2008 Chung
 7,438,071 B2 10/2008 Johnson et al.
 D610,862 S * 3/2010 Chung D7/337
 D613,059 S * 4/2010 Horiyama D3/294
 D619,808 S * 7/2010 Huang D3/276
 7,802,565 B2 9/2010 Bruno
 D677,109 S * 3/2013 Chung D7/337
 D771,994 S 11/2016 Zemel et al.
 D773,817 S 12/2016 Hower
 D784,064 S 4/2017 Hebert, Jr. et al.
 D806,463 S 1/2018 Gloger
 D819,331 S 6/2018 Ballou et al.
 D819,387 S 6/2018 Stein

D843,156 S 3/2019 Hebert, Jr. et al.
 D850,200 S 6/2019 Jiang
 D874,143 S 2/2020 Seibert
 D877,510 S * 3/2020 Christen D3/294
 D902,587 S 11/2020 Zhu
 2002/0020144 A1 2/2002 Sarles et al.
 2008/0060633 A1 3/2008 Antwine
 2016/0174298 A1 6/2016 Moon et al.
 2016/0356502 A1* 12/2016 Hebert, Jr. F24C 1/16
 2019/0239687 A1 8/2019 Veatch, III et al.

OTHER PUBLICATIONS

Cuisinart CGG-180T Petit Gourmet Portable Tabletop Propane Gas Grill, as early as May 24, 2015, Amazon, <https://www.amazon.com/Cuisinart-CGG-180T-Gourmet-Portable-Tabletop/dp/B004H4WWA6> (Year: 2015).
 Go-Anywhere Charcoal Grill, Weber Grills, n.d. [online], [retrieved on Jan. 31, 2019]. Retrieved from the Internet.
 Mon Oncle bbq, RS Barcelona, n.d [online], [retrieved on Sep. 31, 2019]. Retrieved from the Internet.

* cited by examiner

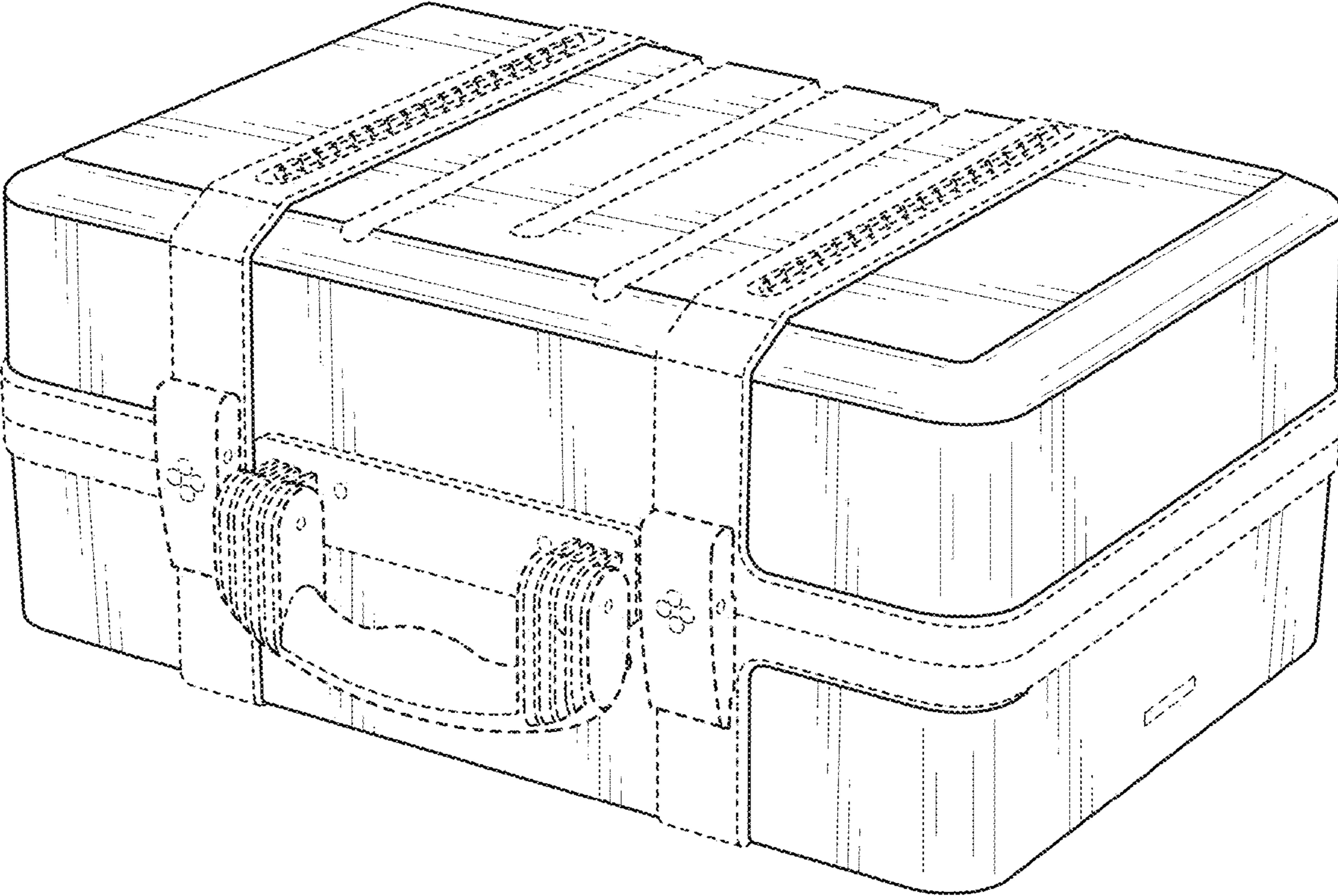


FIG. 1

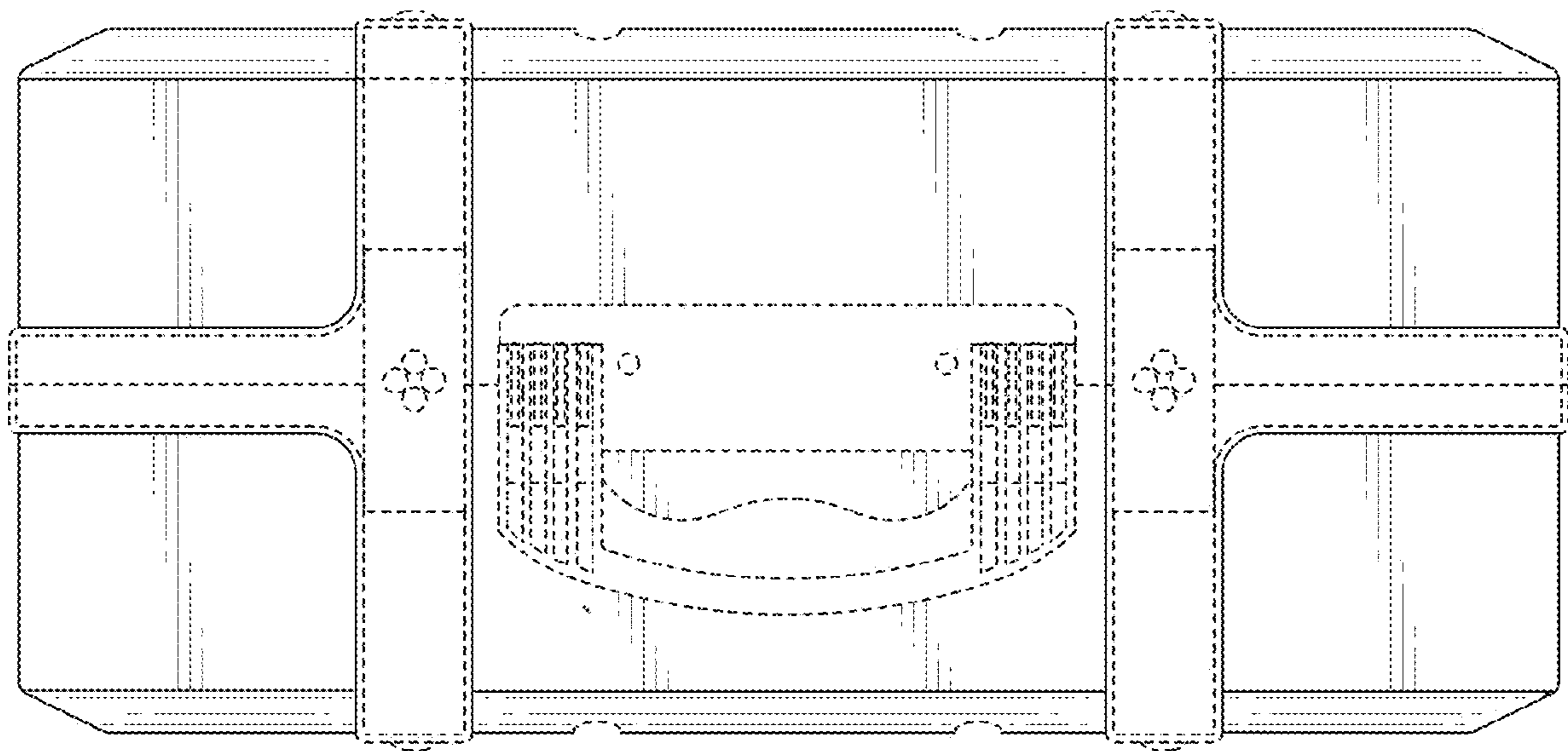


FIG. 2

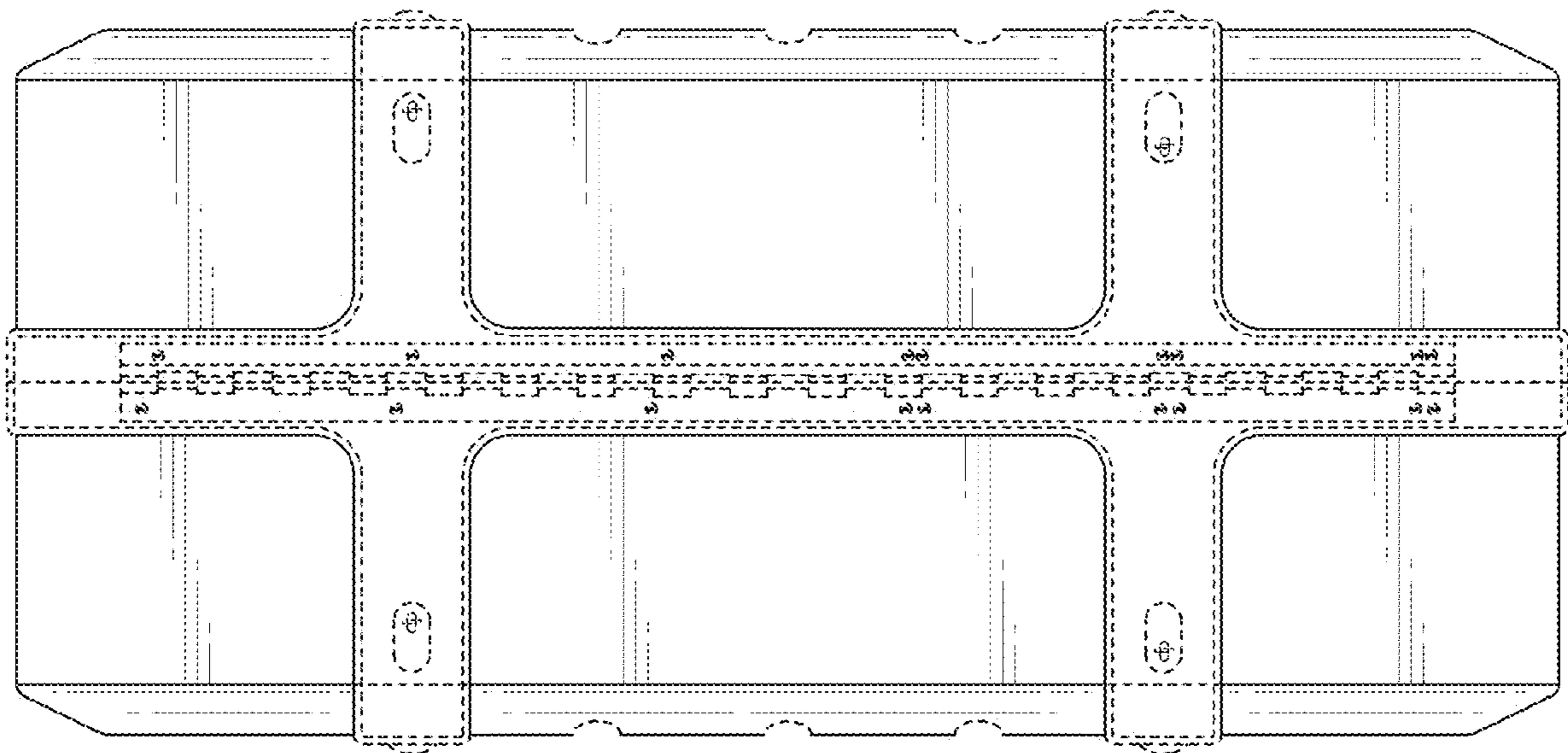


FIG. 3

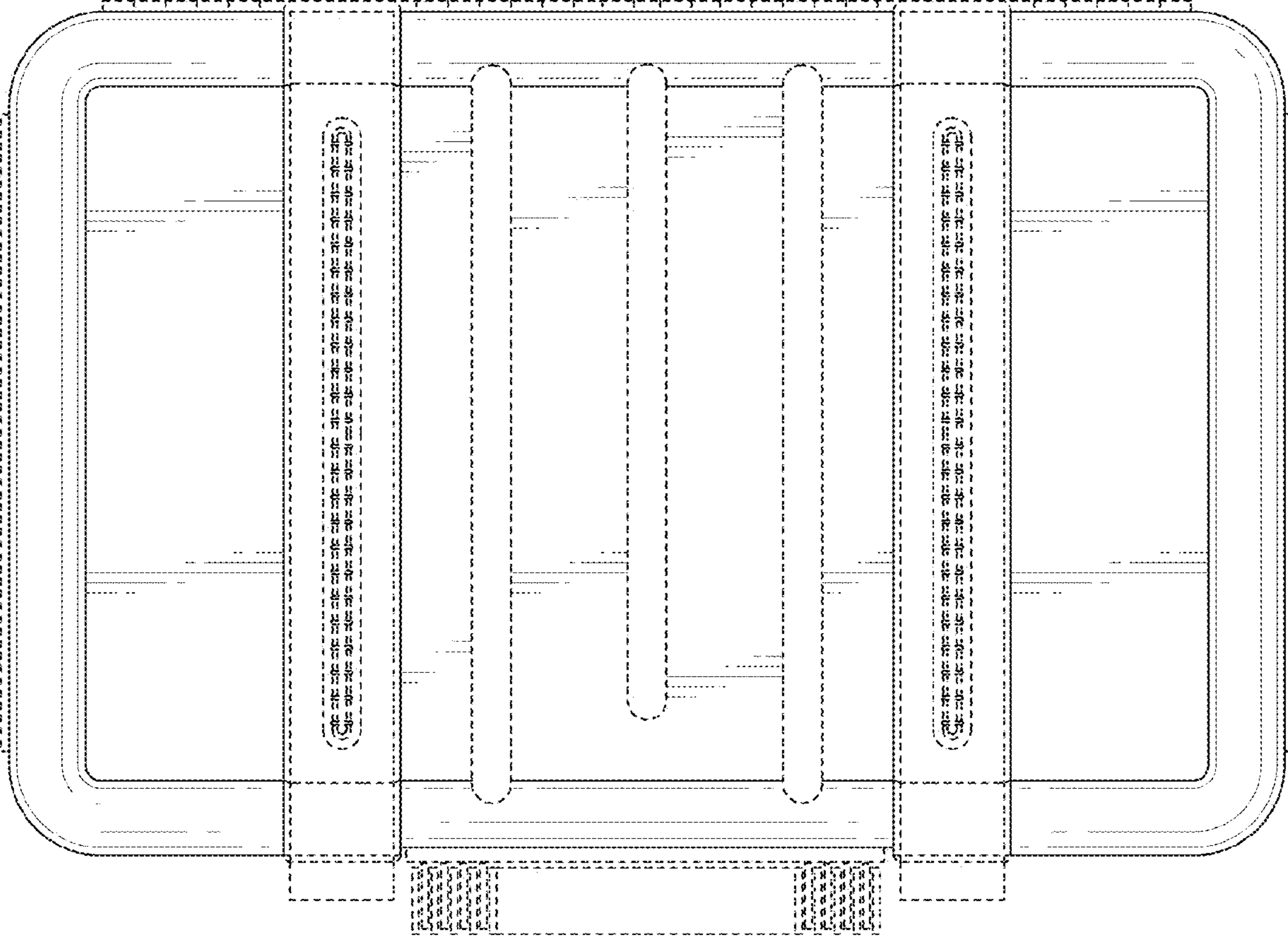


FIG. 4

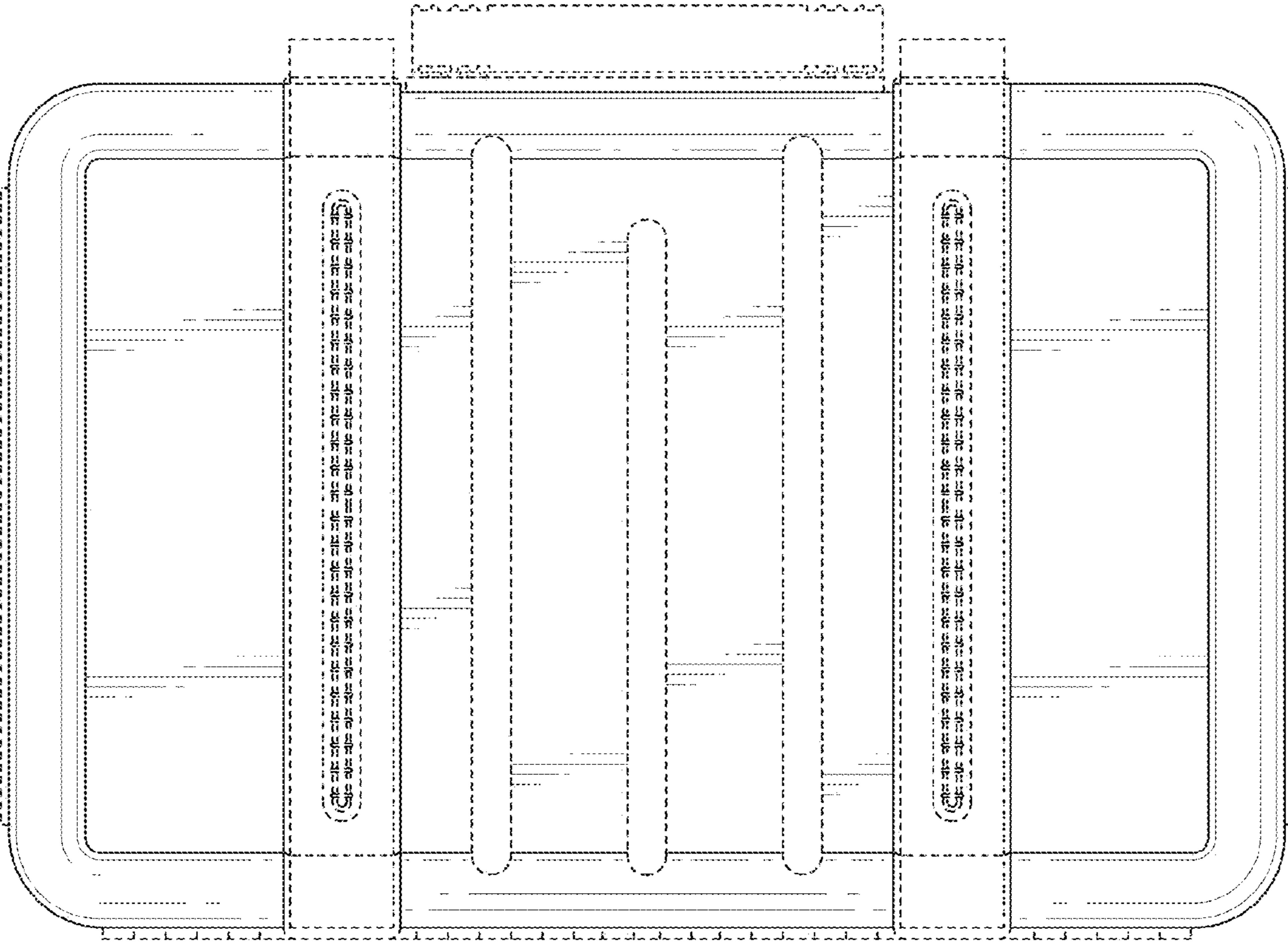


FIG. 5

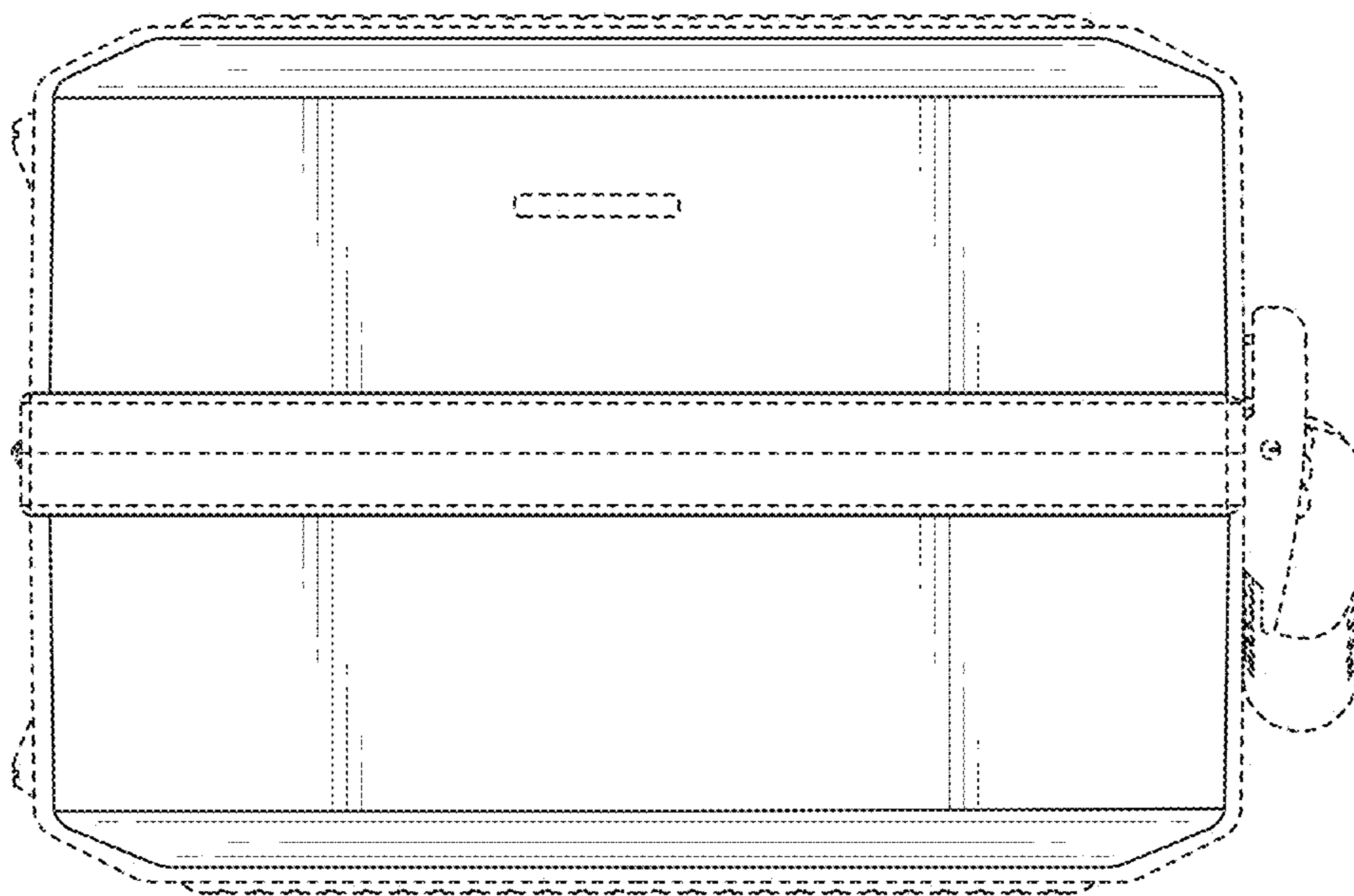


FIG. 6

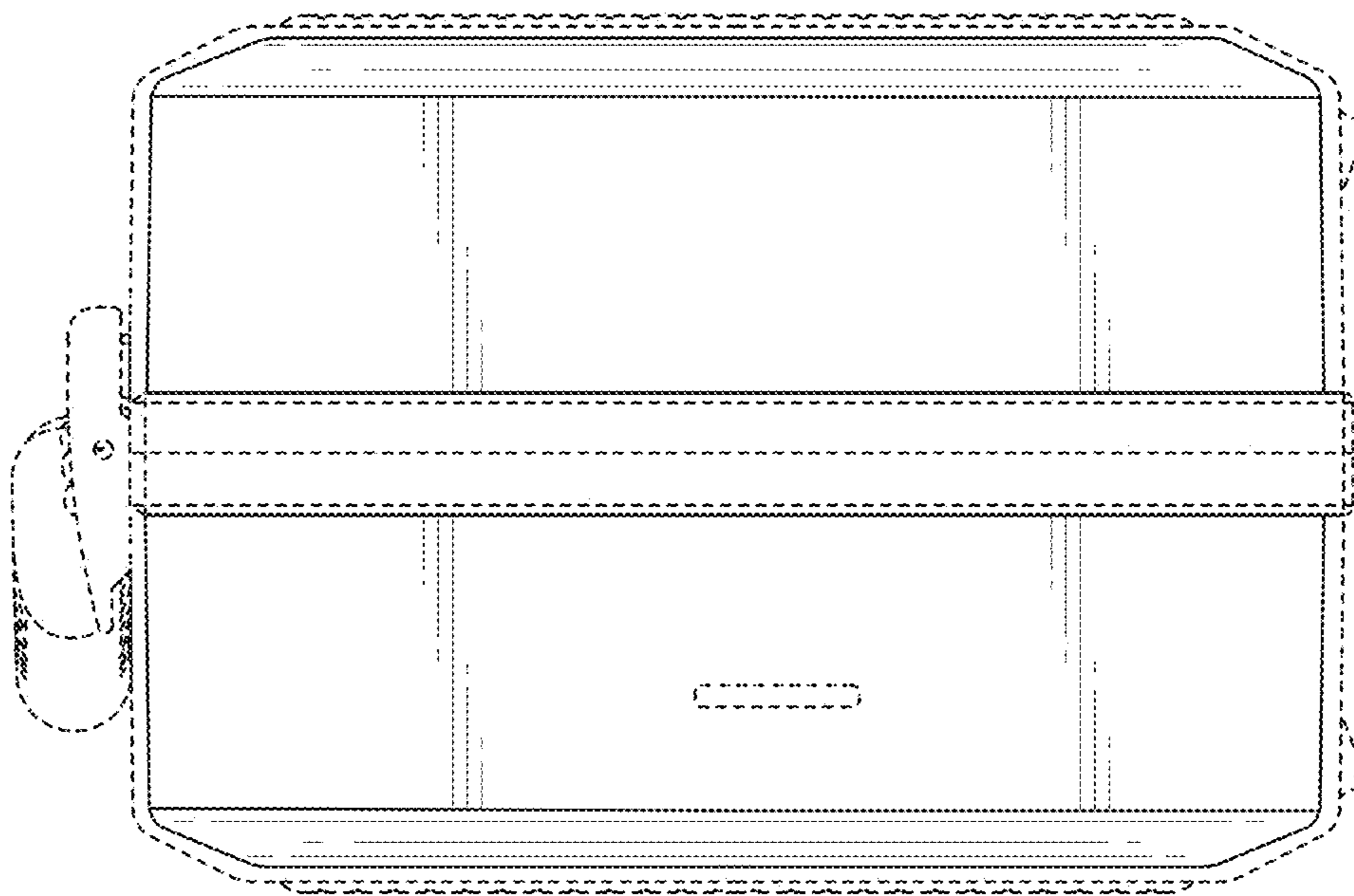


FIG. 7