



US00D939881S

(12) **United States Design Patent**
Liang

(10) **Patent No.:** **US D939,881 S**

(45) **Date of Patent:** **** Jan. 4, 2022**

(54) **PORTABLE BBQ CHARCOAL GRILL**

(71) Applicant: **Xiao Liang**, Rockville, MD (US)

(72) Inventor: **Xiao Liang**, Rockville, MD (US)

(**) Term: **15 Years**

(21) Appl. No.: **29/697,136**

(22) Filed: **Jul. 3, 2019**

(51) **LOC (13) Cl.** **07-02**

(52) **U.S. Cl.**
USPC **D7/337**

(58) **Field of Classification Search**
USPC D7/323, 332, 334–337, 339–341,
D7/346–349, 350.1, 350.3, 351–353, 362,
D7/363, 387, 402, 403, 405–409;
D8/315–318

CPC .. A47J 33/00; A47J 36/00; A47J 36/26; A47J
37/00; A47J 37/04; A47J 37/06; A47J
37/0611; A47J 37/0623; A47J 37/0647;
A47J 37/0652; A47J 37/07; A47J
37/0704; A47J 37/0713; A47J 37/0718;
A47J 37/0727; A47J 37/0731; A47J
37/074; A47J 37/0754; A47J 37/0763;
A47J 2037/0777; F23D 14/10; F24C
1/00; F24C 3/00; F24C 3/002; F24C
3/022; F24C 3/042; F24C 3/08; F24C
3/082; F24C 3/10; F24C 3/106; F24C
3/14; F24C 7/00; F24C 7/02; F24C 7/04;
F24C 7/043; F24C 7/10; F24C 7/083;
F24C 15/10; F24C 15/36

See application file for complete search history.

(56) **References Cited**

U.S. PATENT DOCUMENTS

D216,233 S	*	12/1969	Gruver, Jr. et al.	D7/337
D229,734 S	*	1/1974	MaKenny et al.	D7/337
D251,893 S	*	5/1979	Chan	D7/337
D329,138 S	*	9/1992	Hsieh	D3/283
D522,798 S	*	6/2006	Wilgus	D7/337

D532,642 S	*	11/2006	Wilgus	D7/337
D533,008 S	*	12/2006	Macri	D7/332
D662,348 S	*	6/2012	Siow	D7/337
D677,111 S	*	3/2013	Chung	D7/337
D680,794 S	*	4/2013	Chung	D7/332
D689,322 S	*	9/2013	Chung	D7/332
D699,999 S	*	2/2014	Miller	D7/337
D718,083 S	*	11/2014	Chung	D7/337
D722,467 S	*	2/2015	Chung	D7/337
D722,812 S	*	2/2015	Chung	D7/337
D747,910 S	*	1/2016	Costa	D7/337

(Continued)

OTHER PUBLICATIONS

Design No. 104662, Sep. 30, 2004—Canadian Intellectual Property Office Publication Date—Sep. 30, 2004 Owner—Chung Kiosky WIPO, available at <https://www3.wipo.int/designdb/en/index.jsp> (Year: 2004).*

(Continued)

Primary Examiner — Mary Ann Calabrese

Assistant Examiner — Natalya M Rapundalo

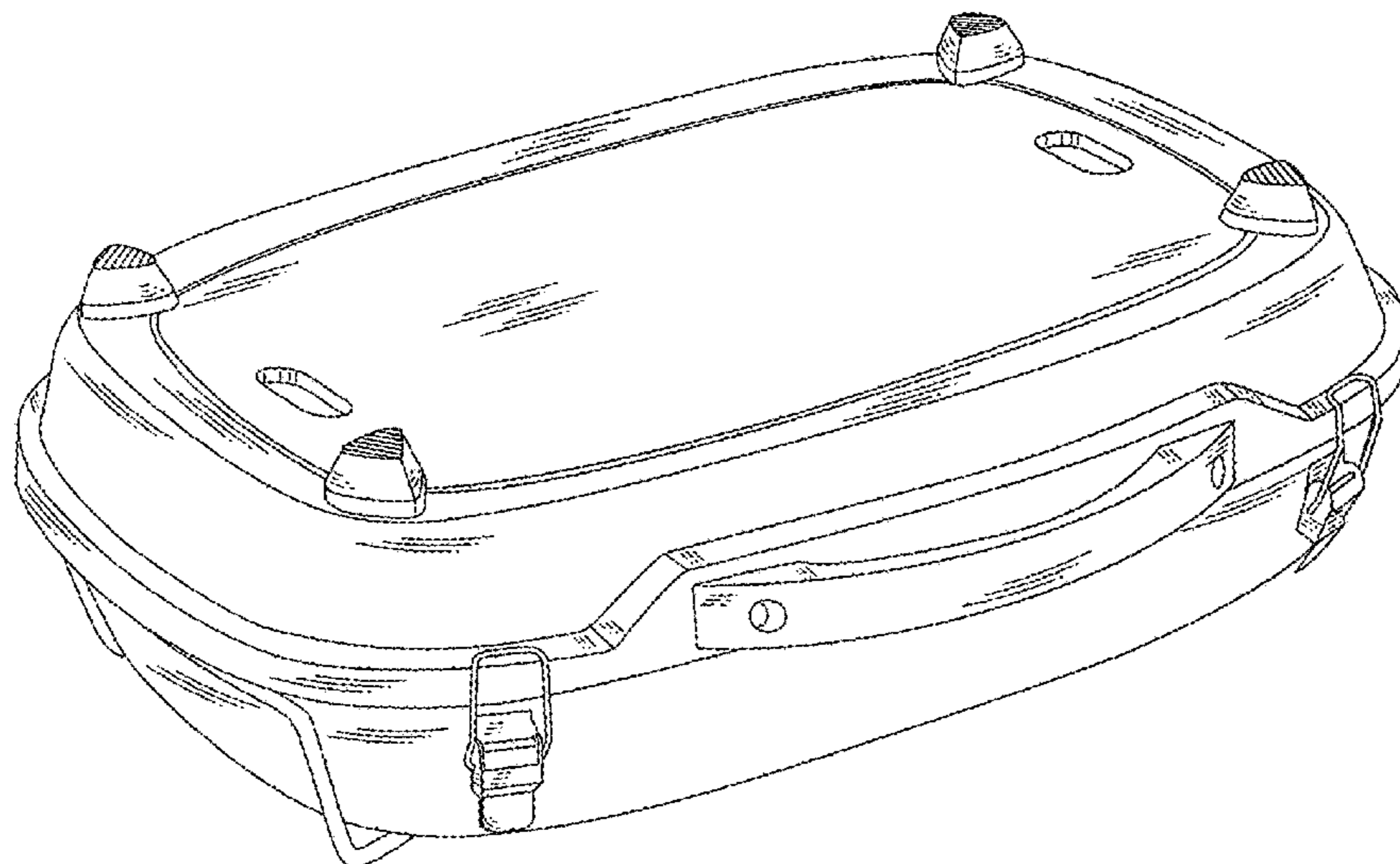
(57) **CLAIM**

The ornamental design for a portable BBQ charcoal grill, as shown and described.

DESCRIPTION

FIG. 1 is a perspective view of a portable BBQ charcoal grill showing my new design;
FIG. 2 is a front elevation view thereof;
FIG. 3 is a rear elevation view thereof;
FIG. 4 is a left side elevation view thereof;
FIG. 5 is a right side elevation view thereof;
FIG. 6 is a top plan view thereof;
FIG. 7 is a bottom plan view thereof; and,
FIG. 8 is an exploded view with the clasps removed for clarity of showing the disclosure.
The portions of the portable BBQ charcoal grill shown in broken lines form no part of the claimed design.

1 Claim, 8 Drawing Sheets



(56)

References Cited

U.S. PATENT DOCUMENTS

D784,064 S * 4/2017 Hebert, Jr. D7/337
D801,745 S * 11/2017 Costa D7/337
D914,432 S * 3/2021 Bennett D7/337
2012/0266760 A1* 10/2012 Bryce A47J 33/00
99/448

OTHER PUBLICATIONS

Kikkerland BQ01 Portable BBQ Suitcase, Amazon, [online], [site visited Apr. 30, 2021], Available from internet URL: <https://www.amazon.com/Kikkerland-BQ01-Portable-Suitcase-Silver/dp/B00J2WZ6S8> (Year: 2021).*

* cited by examiner

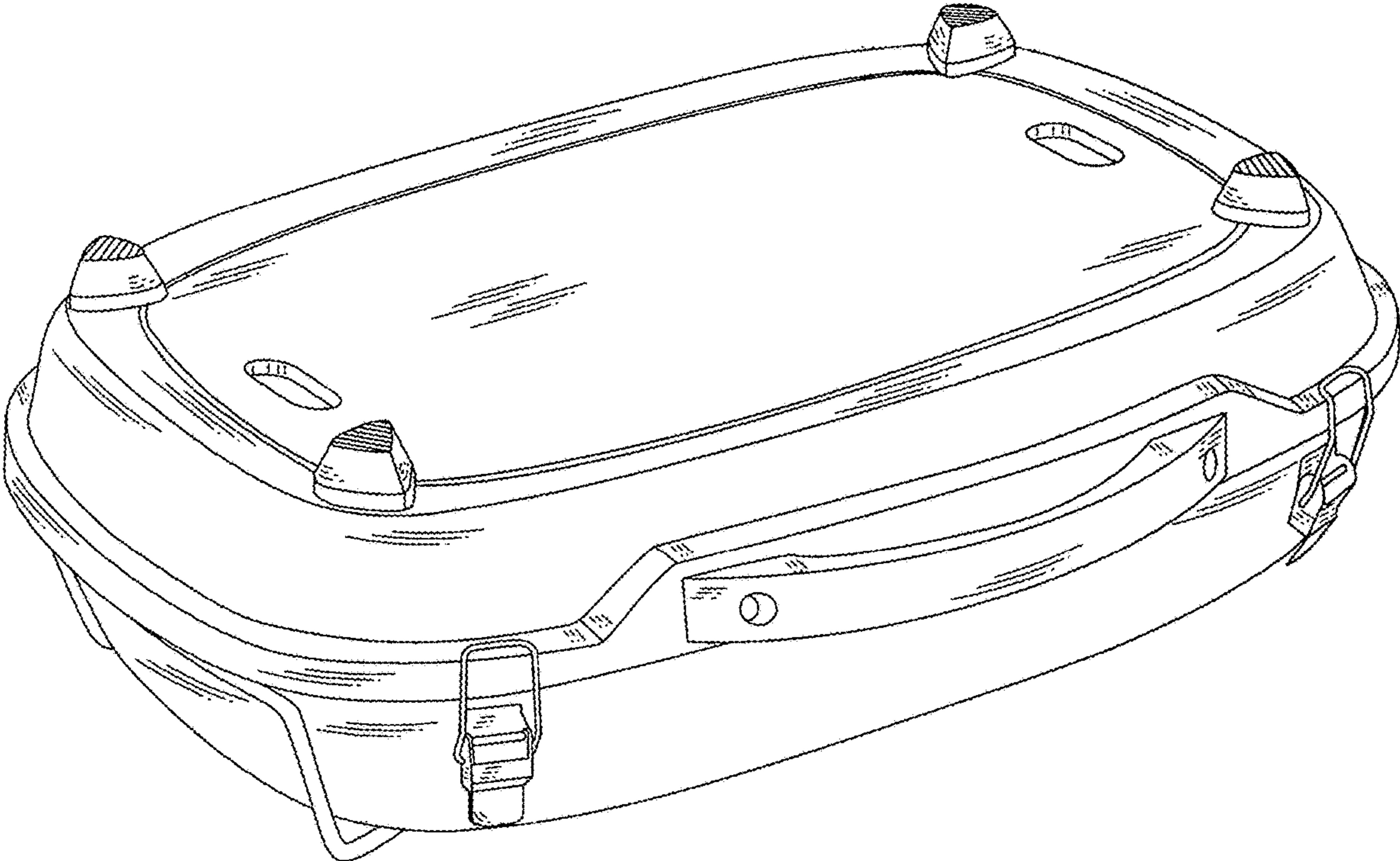


FIG. 1

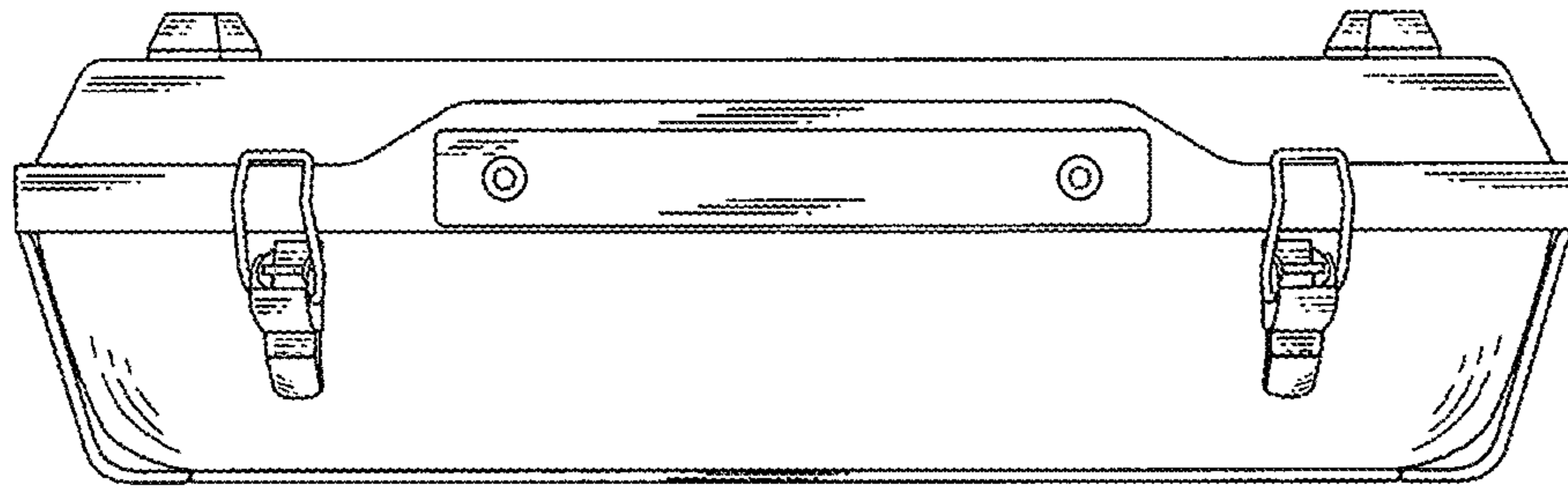


FIG. 2

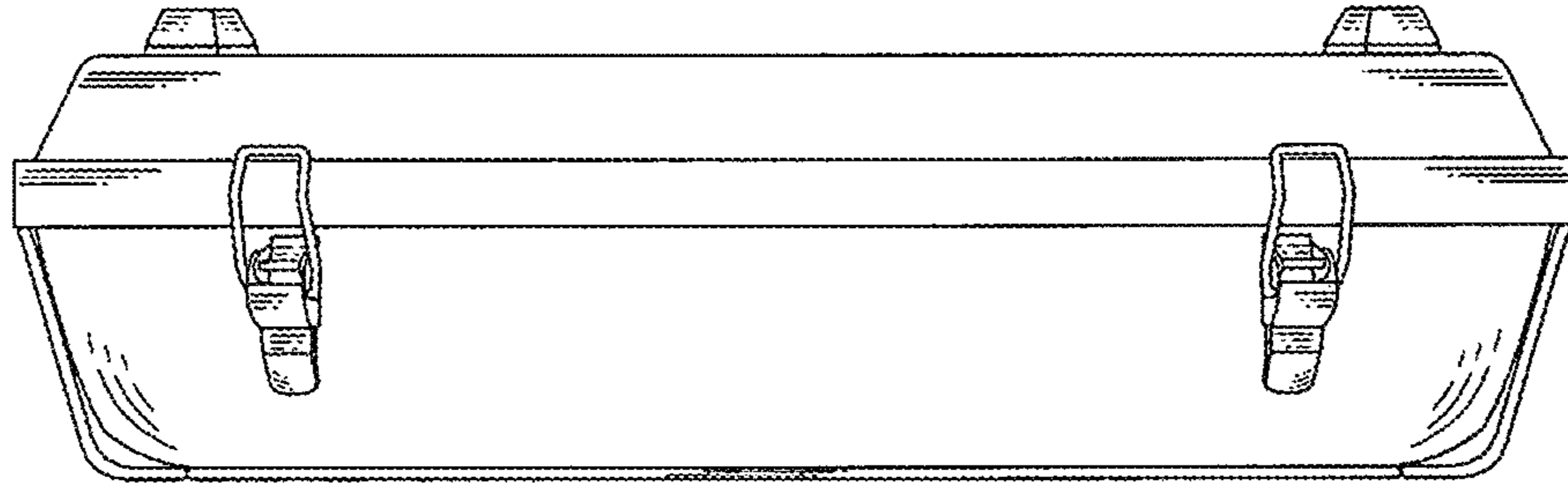


FIG. 3

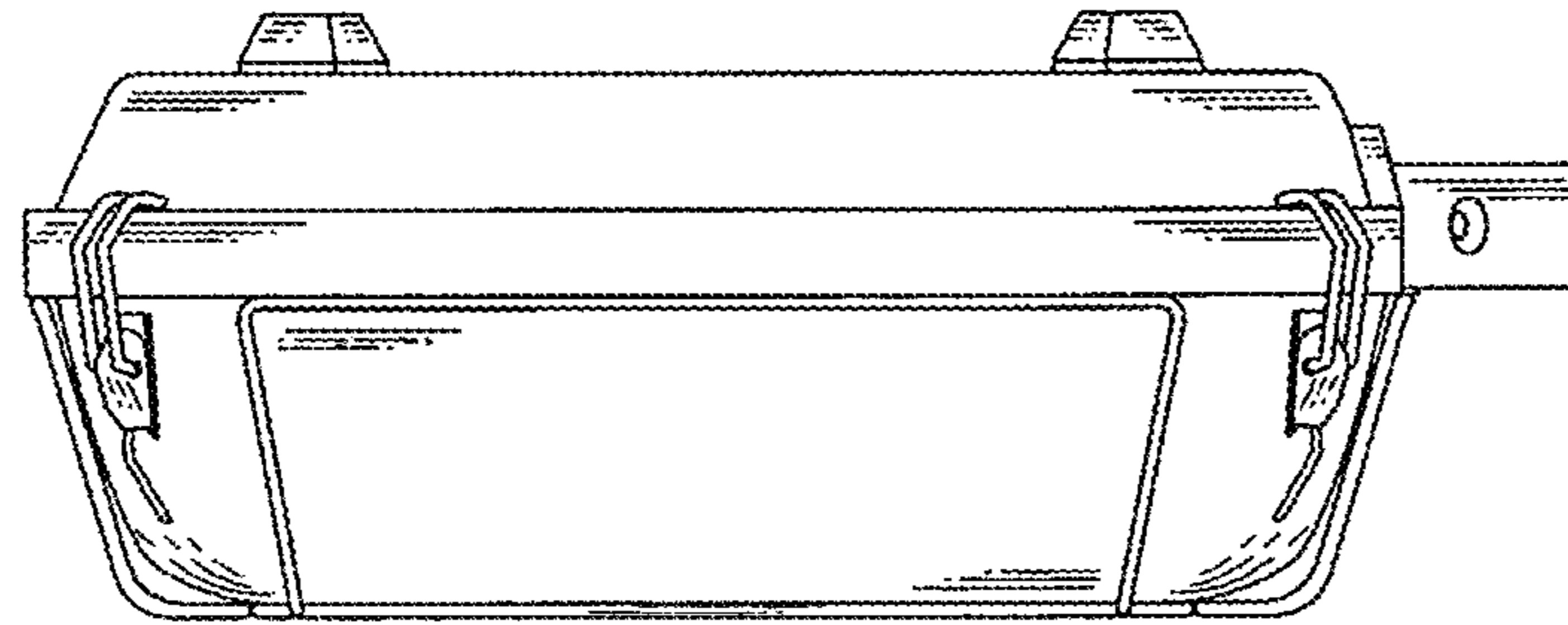


FIG. 4

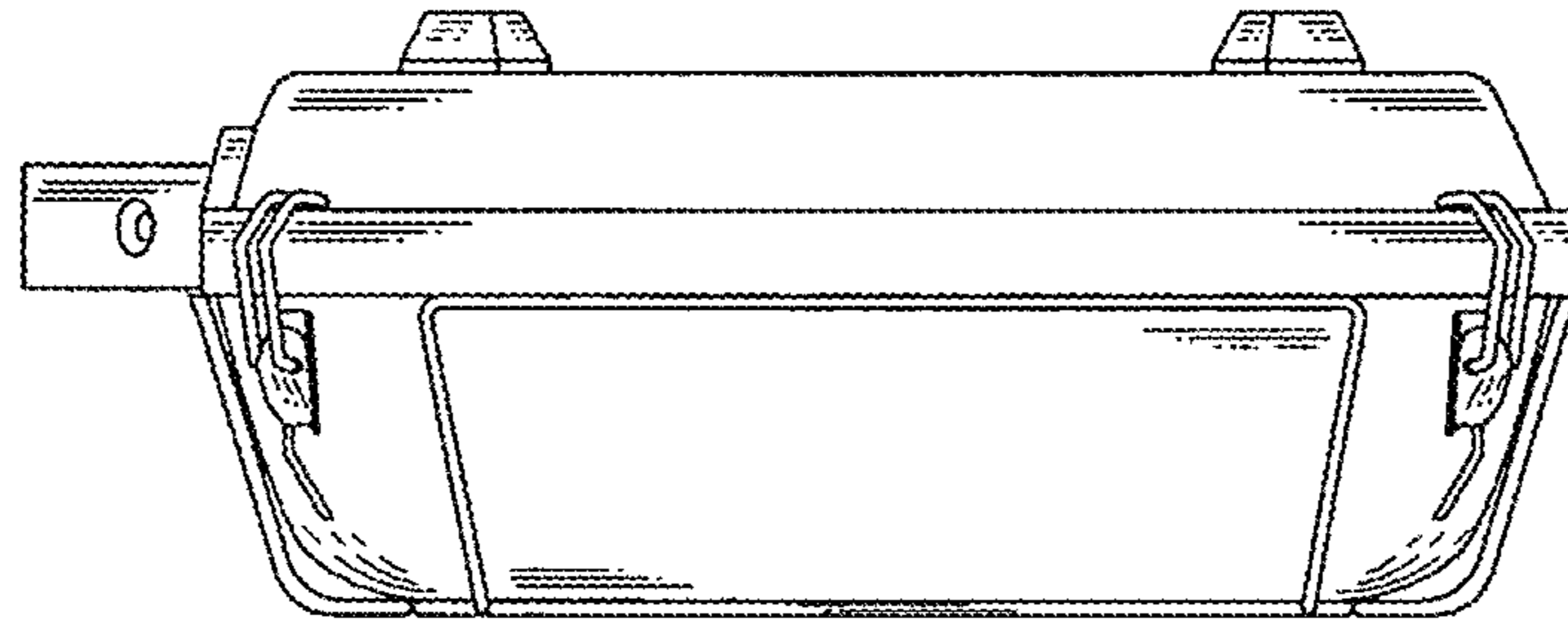


FIG. 5

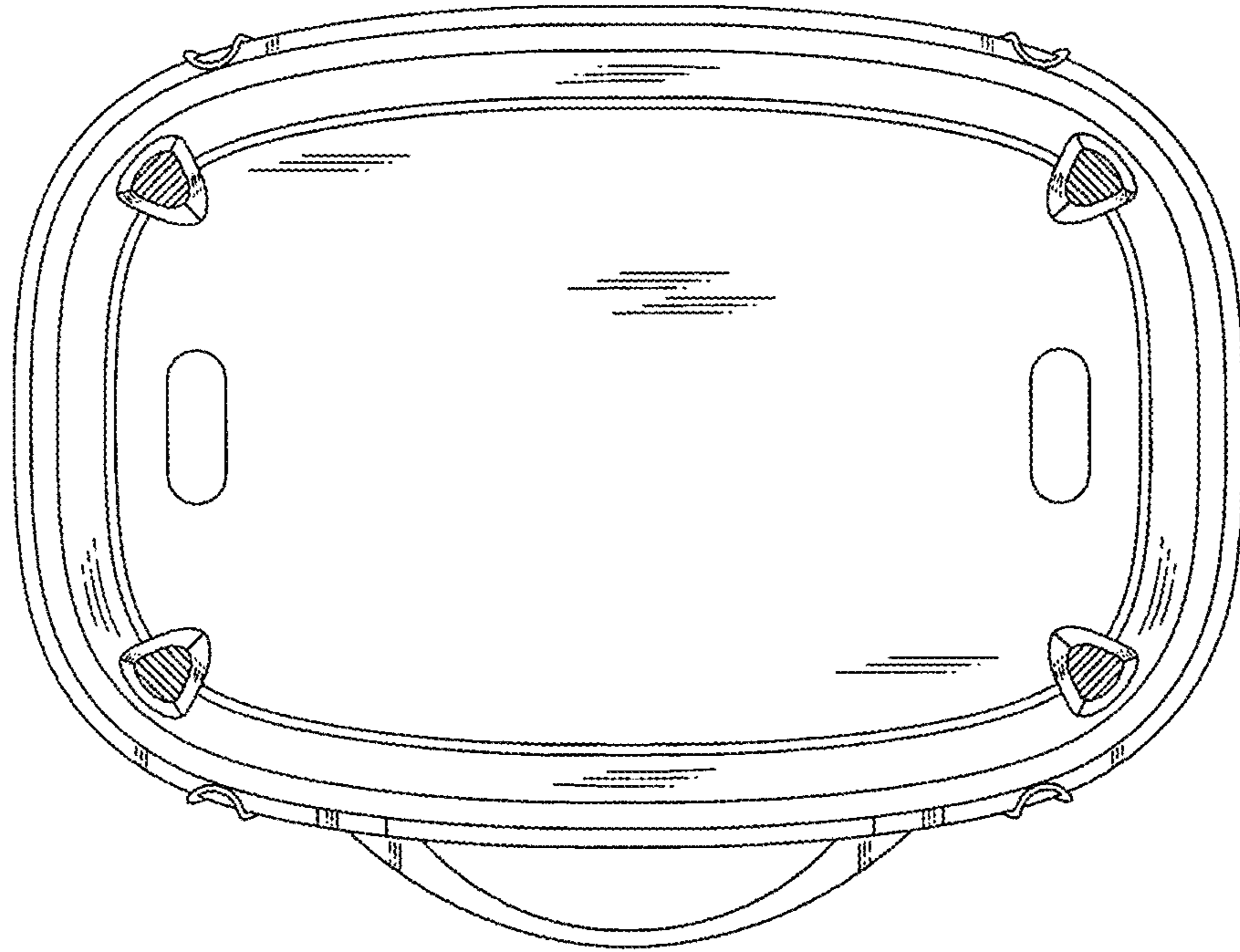


FIG. 6

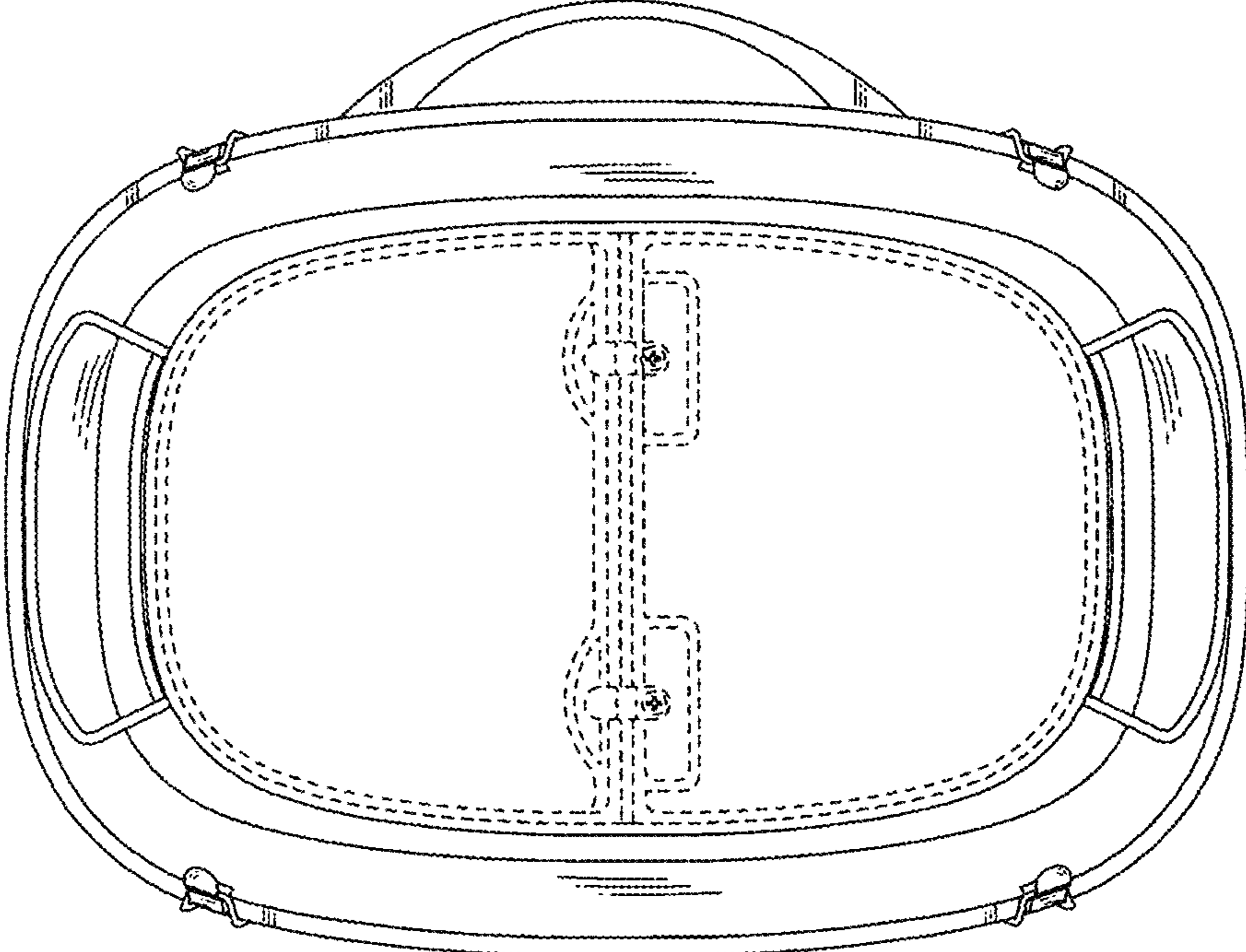


FIG. 7

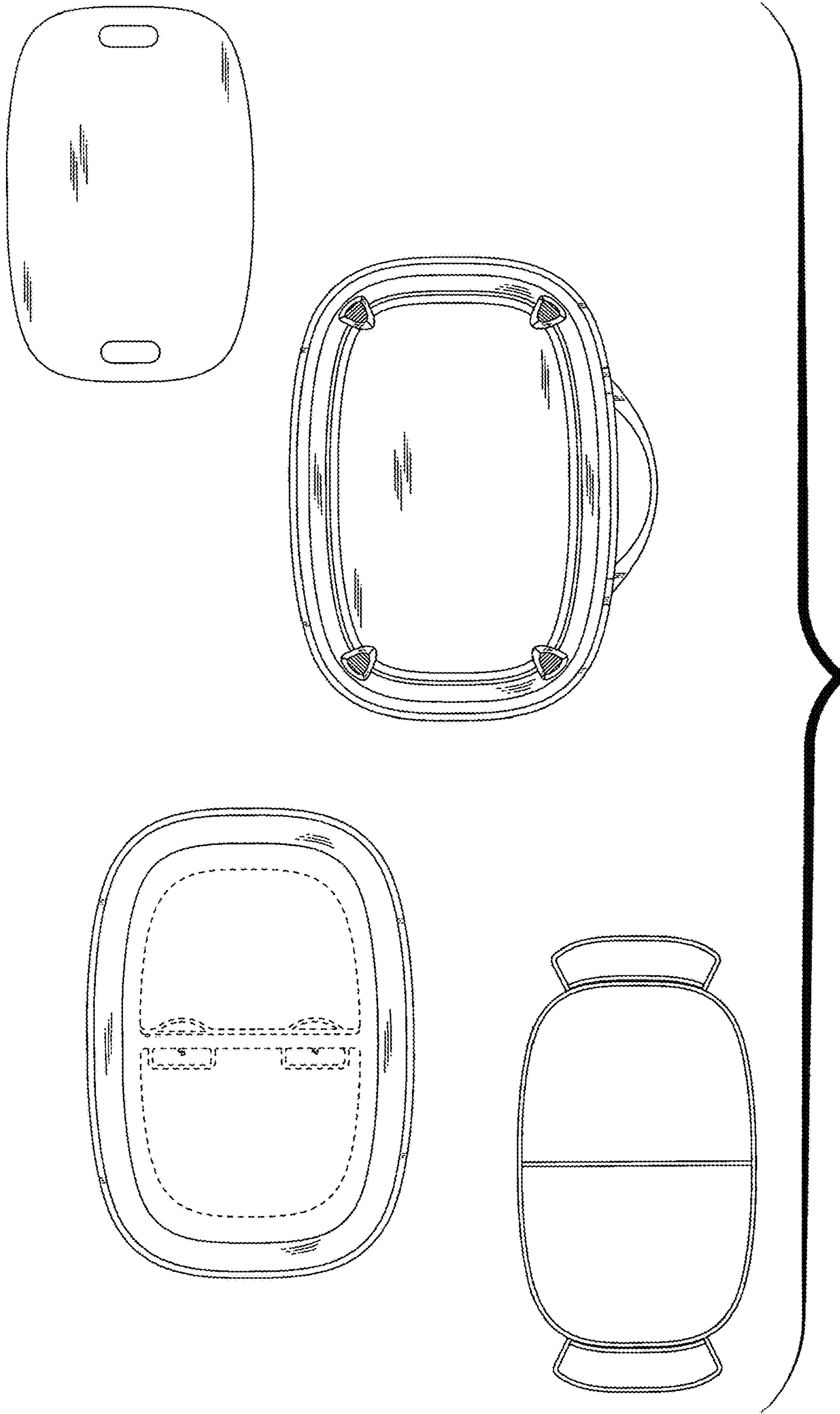


FIG. 8