



US00D939880S

(12) **United States Design Patent**  
**Kahn et al.**

(10) **Patent No.:** **US D939,880 S**  
(45) **Date of Patent:** **\*\* Jan. 4, 2022**

(54) **COOKING APPLIANCE**

- (71) Applicant: **Jordan Kahn Co., Inc.**, Auburndale, MA (US)
- (72) Inventors: **Kris David Kahn**, Wellesley Hills, MA (US); **Wing Sun Wong**, Ashland, MA (US)
- (73) Assignee: **JORDAN KAHN CO., INC.**, Auburndale, MA (US)
- (\*\*) Term: **15 Years**
- (21) Appl. No.: **29/739,079**
- (22) Filed: **Jun. 22, 2020**

**Related U.S. Application Data**

- (63) Continuation of application No. 29/669,283, filed on Nov. 7, 2018, now Pat. No. Des. 887,766.
- (51) **LOC (13) Cl.** ..... **07-02**
- (52) **U.S. Cl.**  
USPC ..... **D7/334**
- (58) **Field of Classification Search**  
USPC ..... D7/332-337, 402-409, 352, 353, D7/360-362; D23/415  
CPC .... A47J 37/0704; A47J 37/0763; A47J 37/07; A47J 37/0786; A47J 2037/0777; A47J 37/0713; F24C 3/14; F24C 1/16; F24C 5/20  
See application file for complete search history.

(56) **References Cited**

**U.S. PATENT DOCUMENTS**

- 4,809,671 A 3/1989 Vallejo, Jr.
  - D315,079 S 3/1991 Jui-Yen
- (Continued)

**OTHER PUBLICATIONS**

Mongolian BBQ Range, Sep. 8, 2015, KaTom Restaurant Supply, <https://www.katom.com/cat/mongolian-bbq-range.html> (Year: 2015).\*  
(Continued)

*Primary Examiner* — Brett Miller  
(74) *Attorney, Agent, or Firm* — Arent Fox LLP

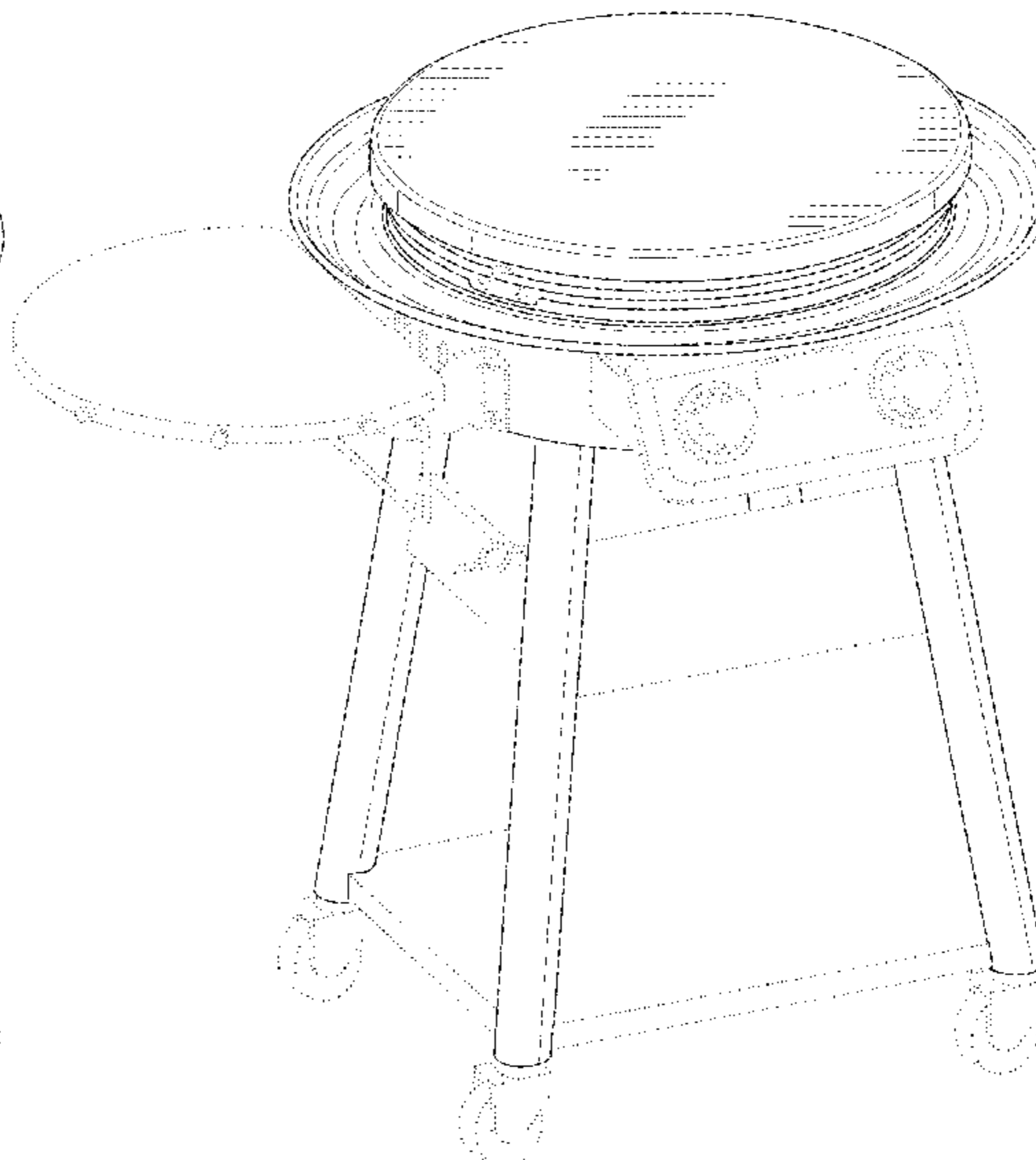
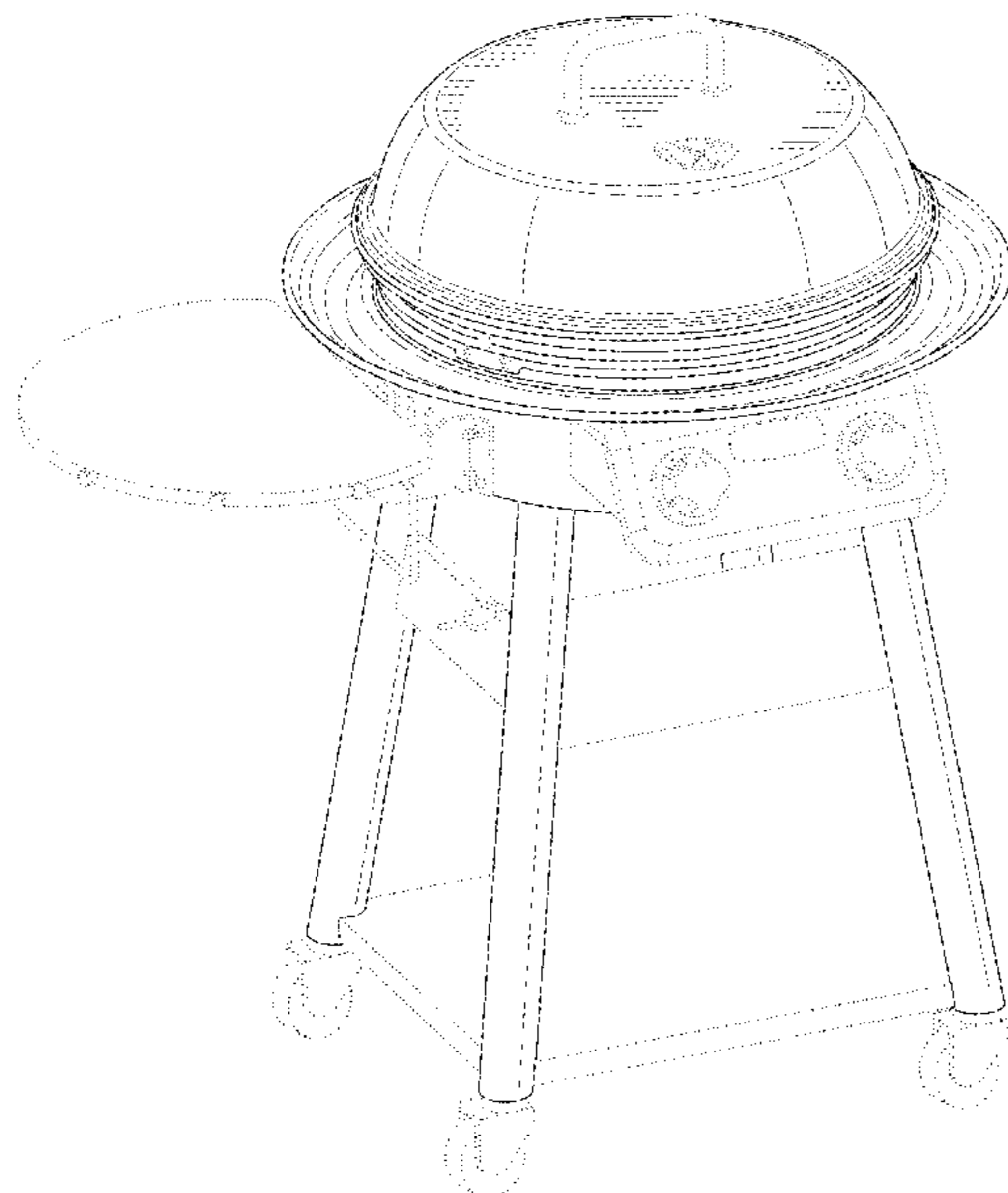
(57) **CLAIM**

The ornamental design for a cooking appliance, as shown and described.

**DESCRIPTION**

FIG. 1 is a perspective view of the front and left sides of the cooking appliance of the present invention with the cover seated on top;  
 FIG. 2 is a front view of the cooking appliance with the cover seated on top;  
 FIG. 3 is a rear view of the cooking appliance with the cover seated on top;  
 FIG. 4 is a right side view of the cooking appliance with the cover seated on top;  
 FIG. 5 is a left side view of the cooking appliance with the cover seated on top;  
 FIG. 6 is a top plan view of the cooking appliance with the cover seated on top;  
 FIG. 7 is a bottom plan view of the cooking appliance;  
 FIG. 8 is a further perspective view of the cooking appliance with the cover removed;  
 FIG. 9 is a further front view of the cooking appliance with the cover removed;  
 FIG. 10 is a further rear view with the cover removed;  
 FIG. 11 is a further right side view with the cover removed;  
 FIG. 12 is a further left side view with the cover removed; and,  
 FIG. 13 is a further top plan view with the cover removed.  
 The broken lines depict portions of the cooking appliance that form no part of the claimed design.

**1 Claim, 13 Drawing Sheets**



(56)

References Cited

U.S. PATENT DOCUMENTS

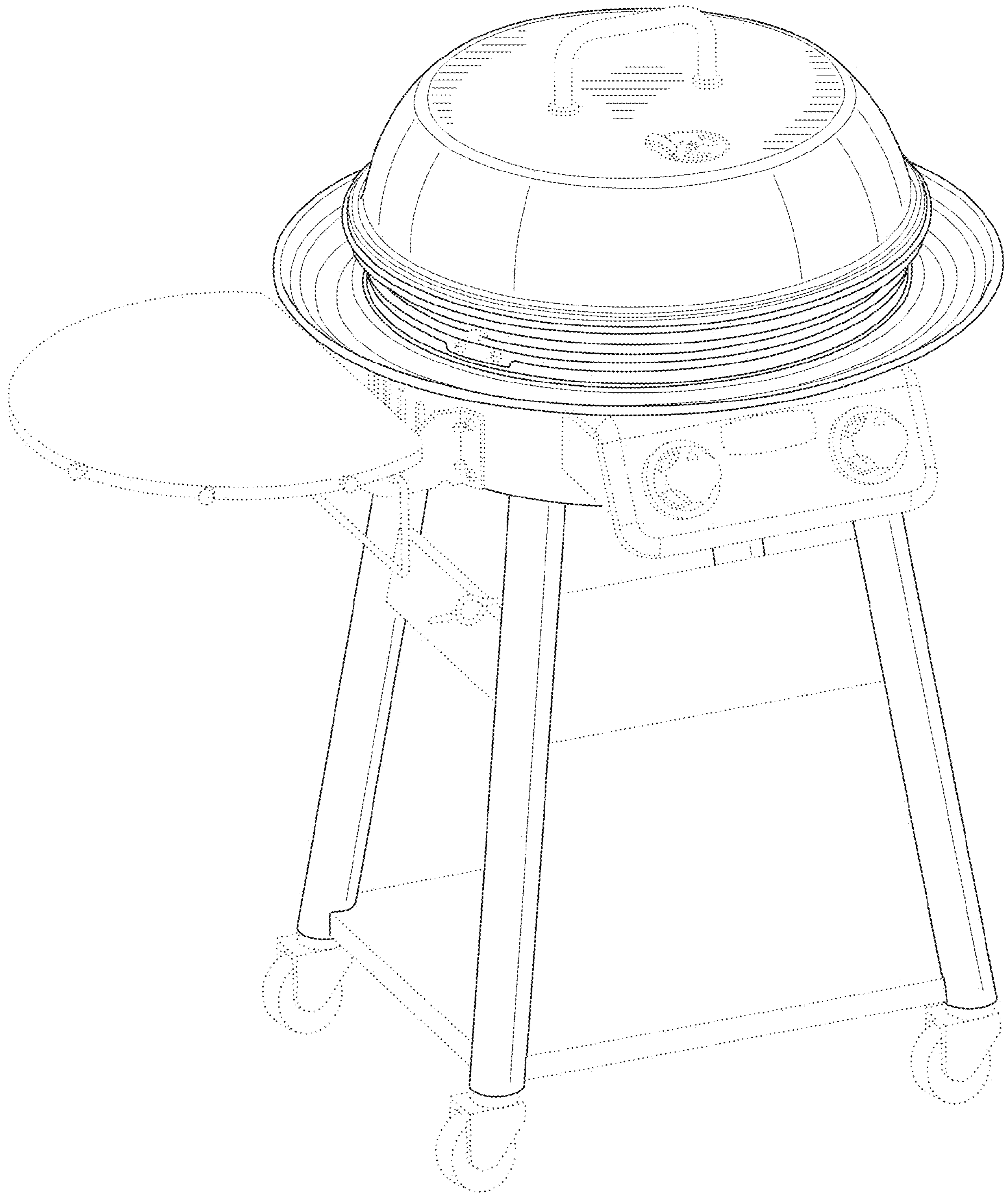
D350,045 S \* 8/1994 Stuart ..... D7/332  
 D374,378 S \* 10/1996 Hyden ..... D7/402  
 D379,572 S 6/1997 Bradley et al.  
 D380,346 S \* 7/1997 Chiang ..... D7/332  
 D381,860 S 8/1997 Chiang  
 D386,936 S 12/1997 Stone et al.  
 D389,009 S \* 1/1998 Baykal ..... D7/335  
 5,720,272 A 2/1998 Chiang  
 D447,664 S \* 9/2001 Stephens ..... D7/337  
 D462,563 S \* 9/2002 Bossier ..... D7/334  
 D507,927 S 8/2005 Nipke et al.  
 D547,592 S \* 7/2007 Chiang ..... D7/332  
 D590,201 S \* 4/2009 Zagar ..... D7/335  
 D648,975 S 11/2011 Chiang  
 D656,774 S 4/2012 Lin  
 D694,056 S 11/2013 Dahle  
 D702,986 S \* 4/2014 Tomalin-Reeves ..... D7/332

D756,158 S \* 5/2016 Krawiec ..... D7/332  
 D798,660 S \* 10/2017 Nadal ..... D7/407  
 D820,022 S 6/2018 Jones et al.  
 D825,975 S 8/2018 Jaggard et al.  
 10,197,291 B2 \* 2/2019 Rivera ..... F24C 15/08  
 D848,204 S 5/2019 Chung  
 D857,439 S 8/2019 Chung  
 D887,766 S \* 6/2020 Kahn ..... D7/334  
 2006/0236996 A1 \* 10/2006 Mosher, II ..... F24C 3/14  
 126/30  
 2014/0261394 A1 \* 9/2014 Evans ..... F24C 3/14  
 126/9 B

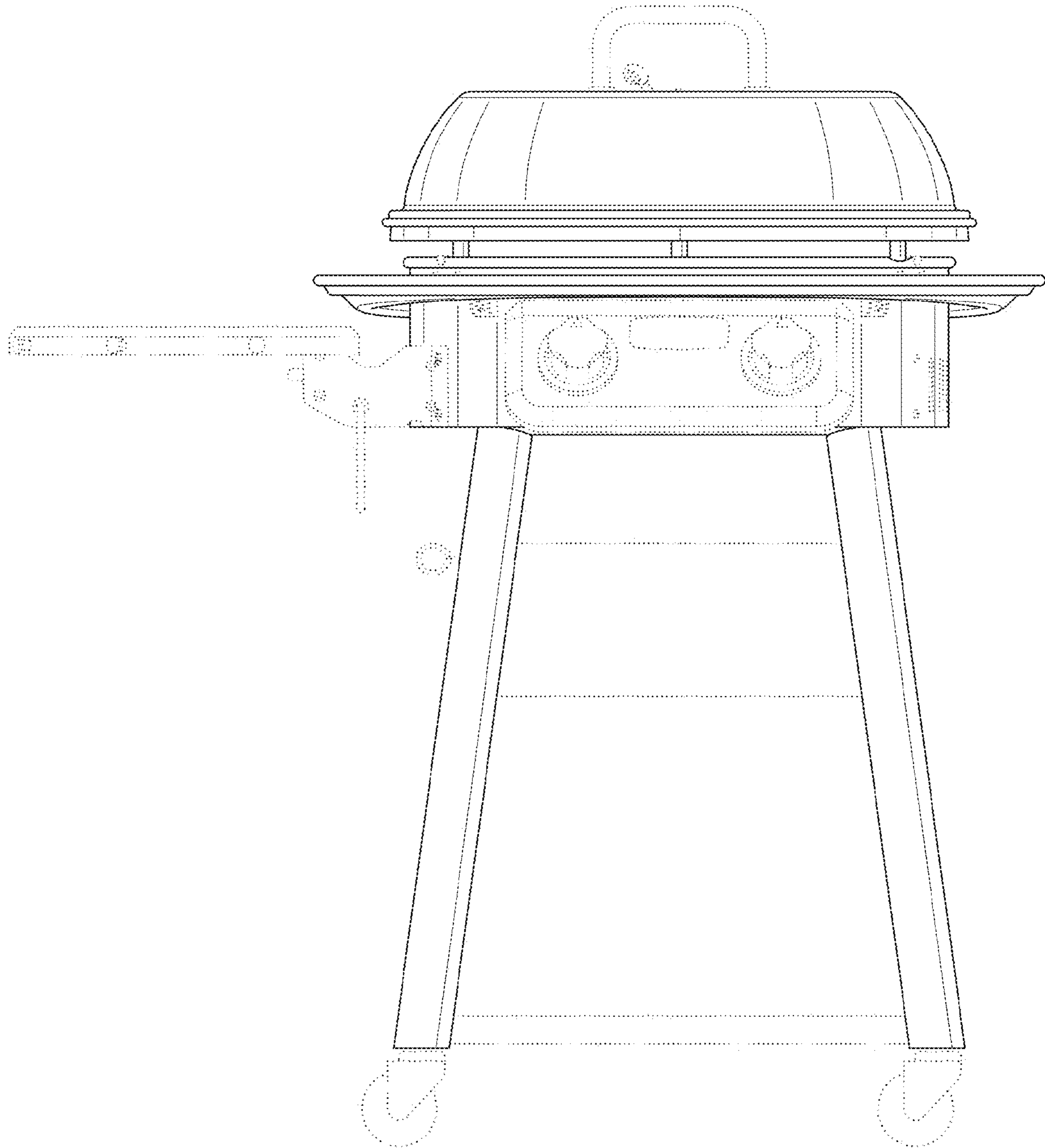
OTHER PUBLICATIONS

Evogrills, Evo Grilling with the Hallmark Channel's Home and Family Show, Aug. 4, 2014, Youtube, <https://www.youtube.com/watch?v+cB0F8L4Q1Mg> (Year:2014).

\* cited by examiner

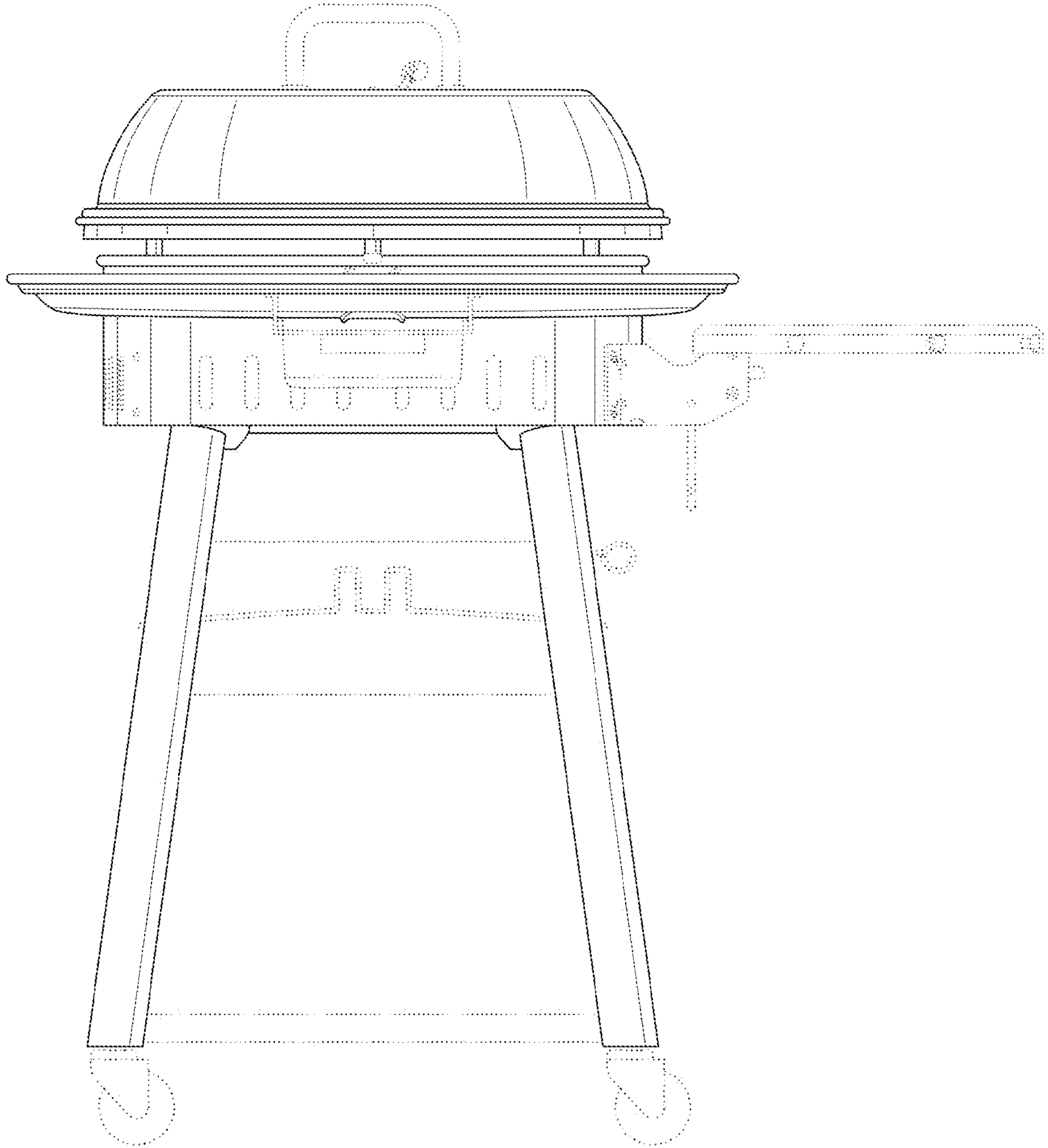


**FIG. 1**

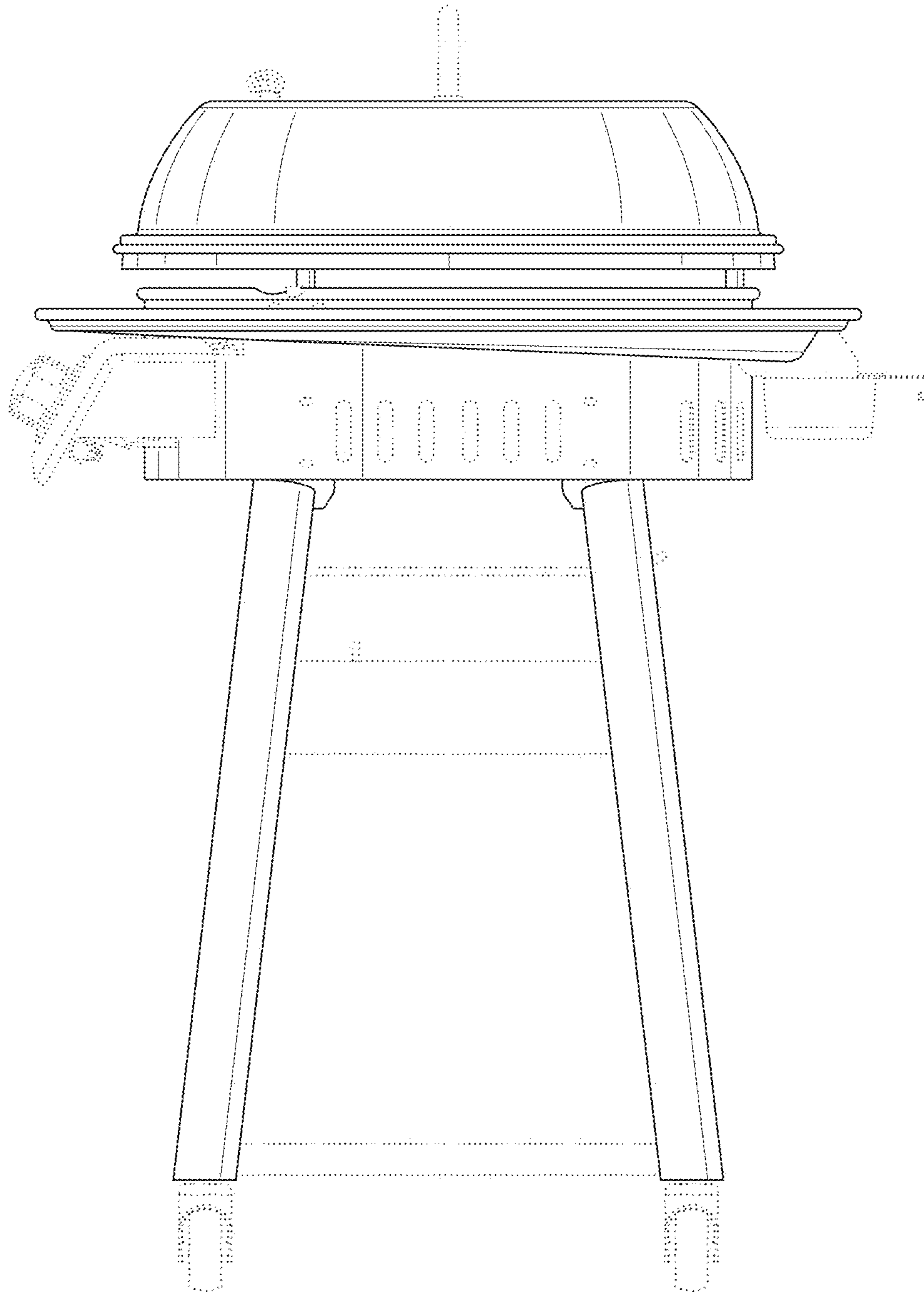


**FIG. 2**

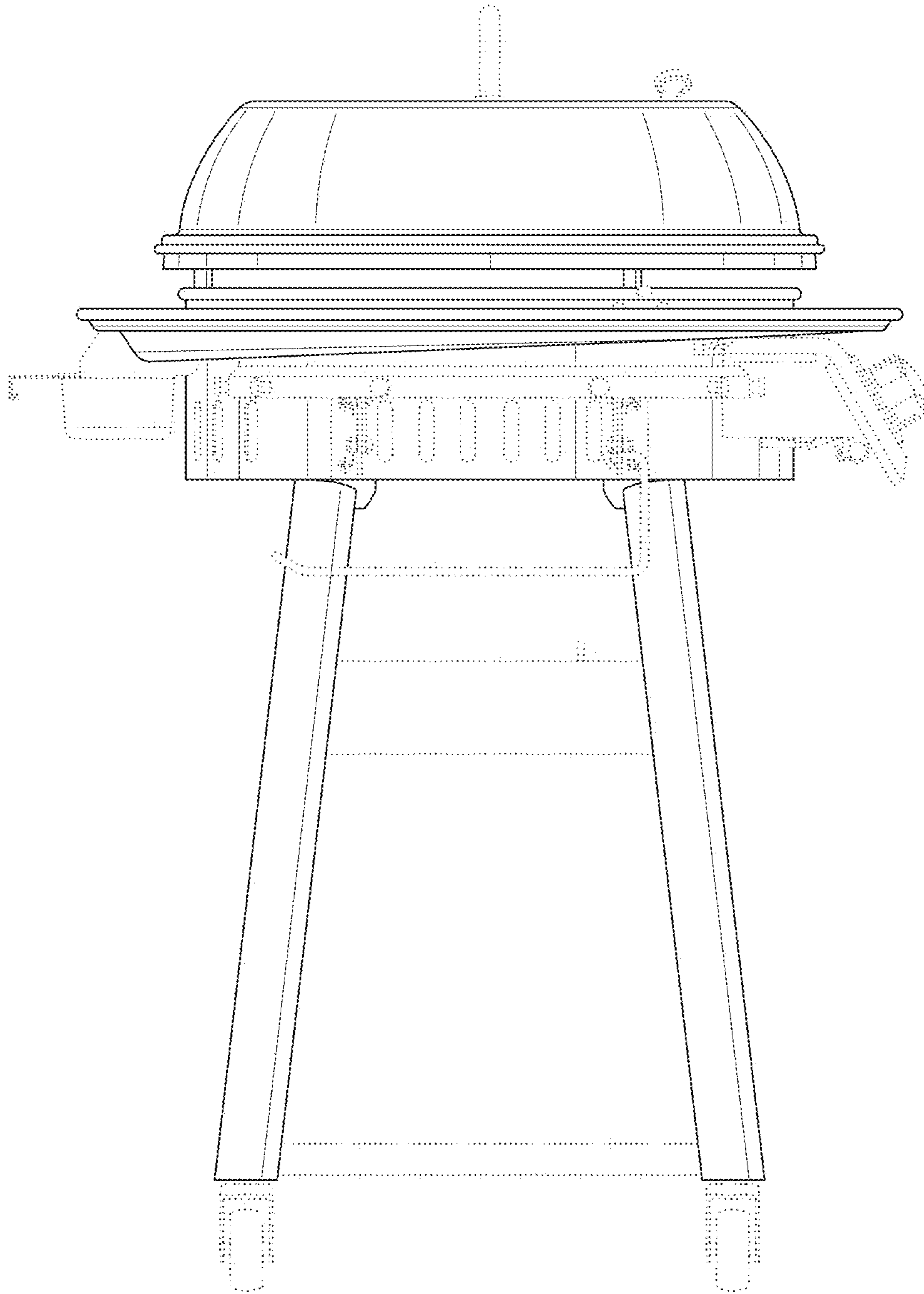




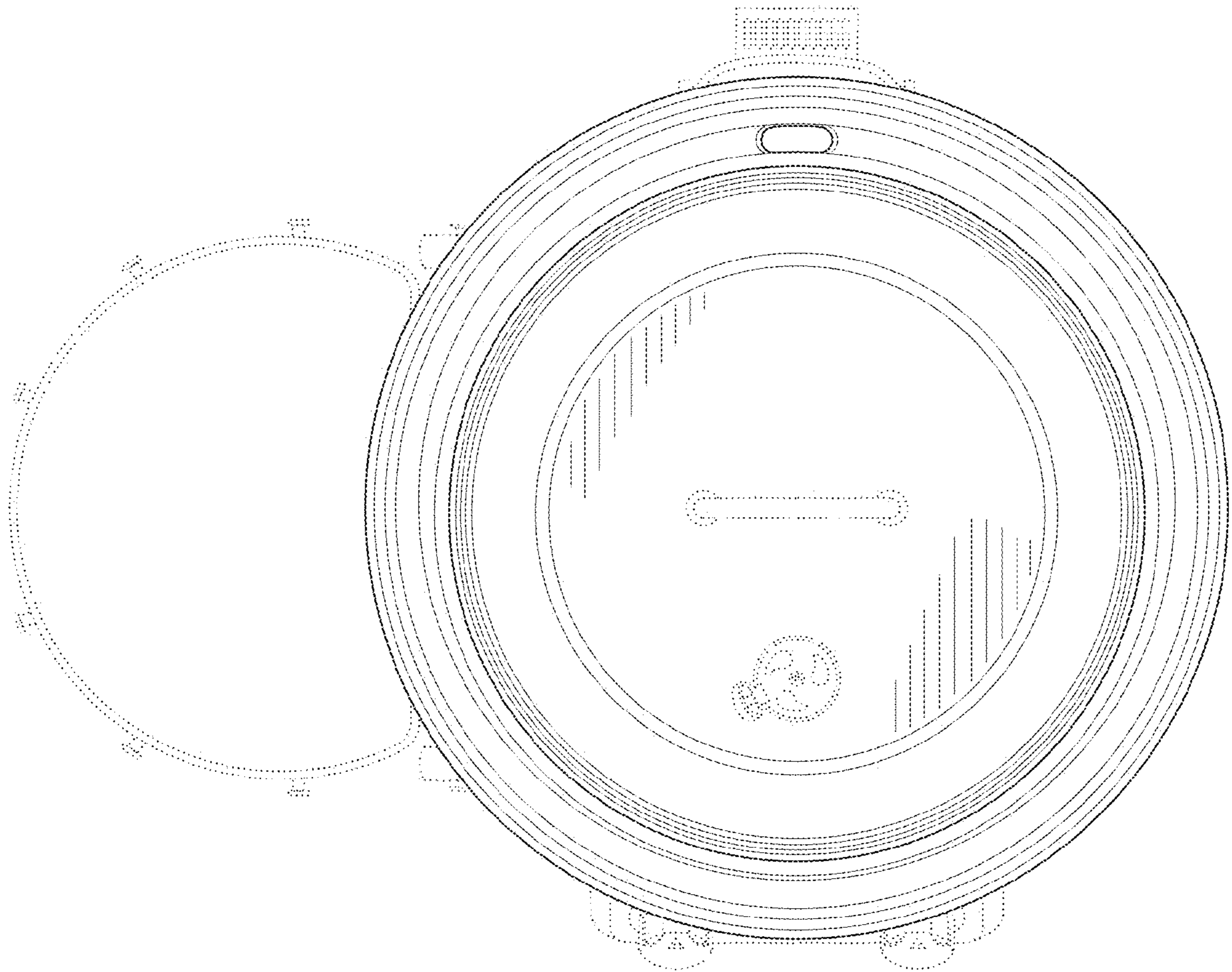
**FIG. 3**



**FIG. 4**

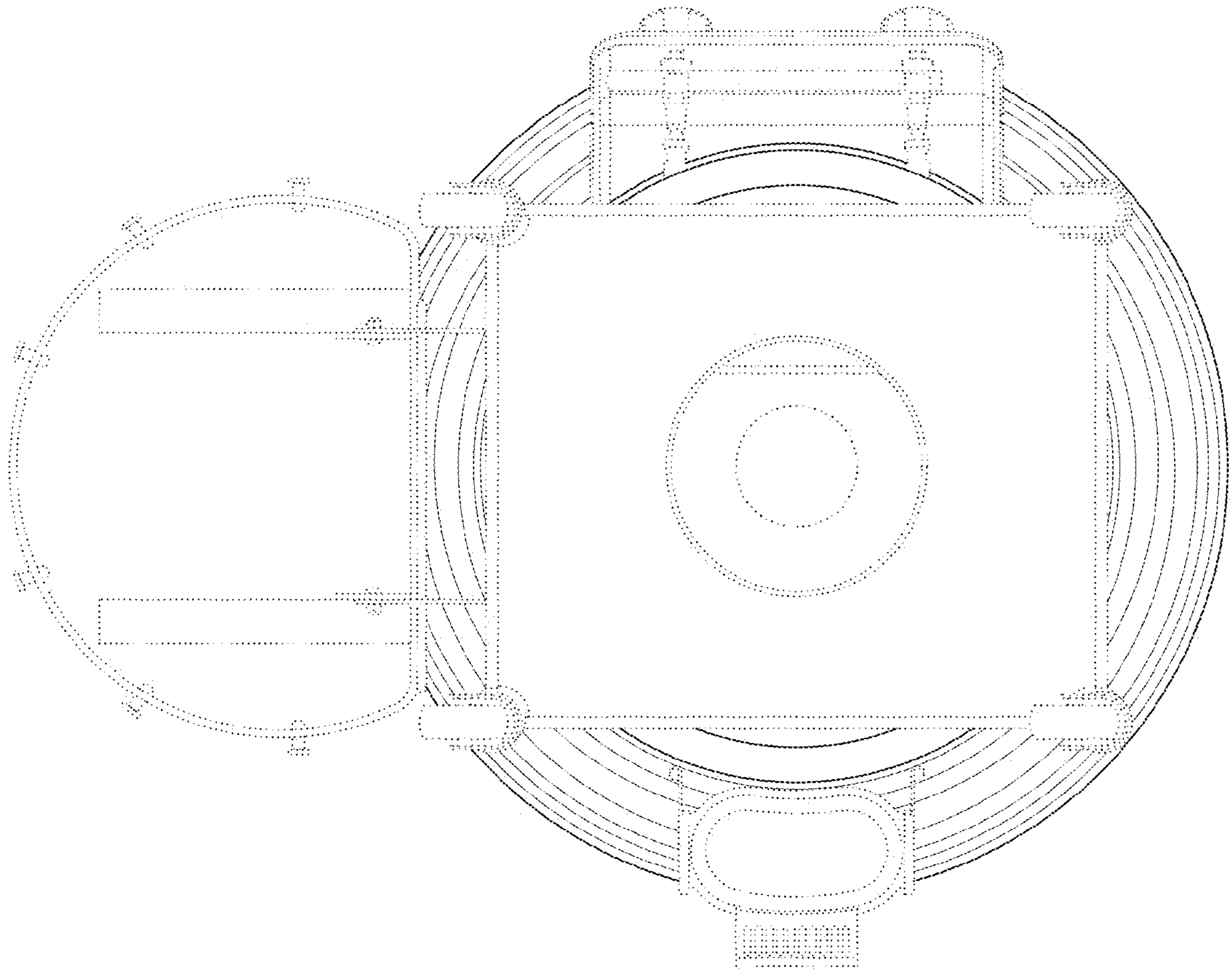


**FIG. 5**

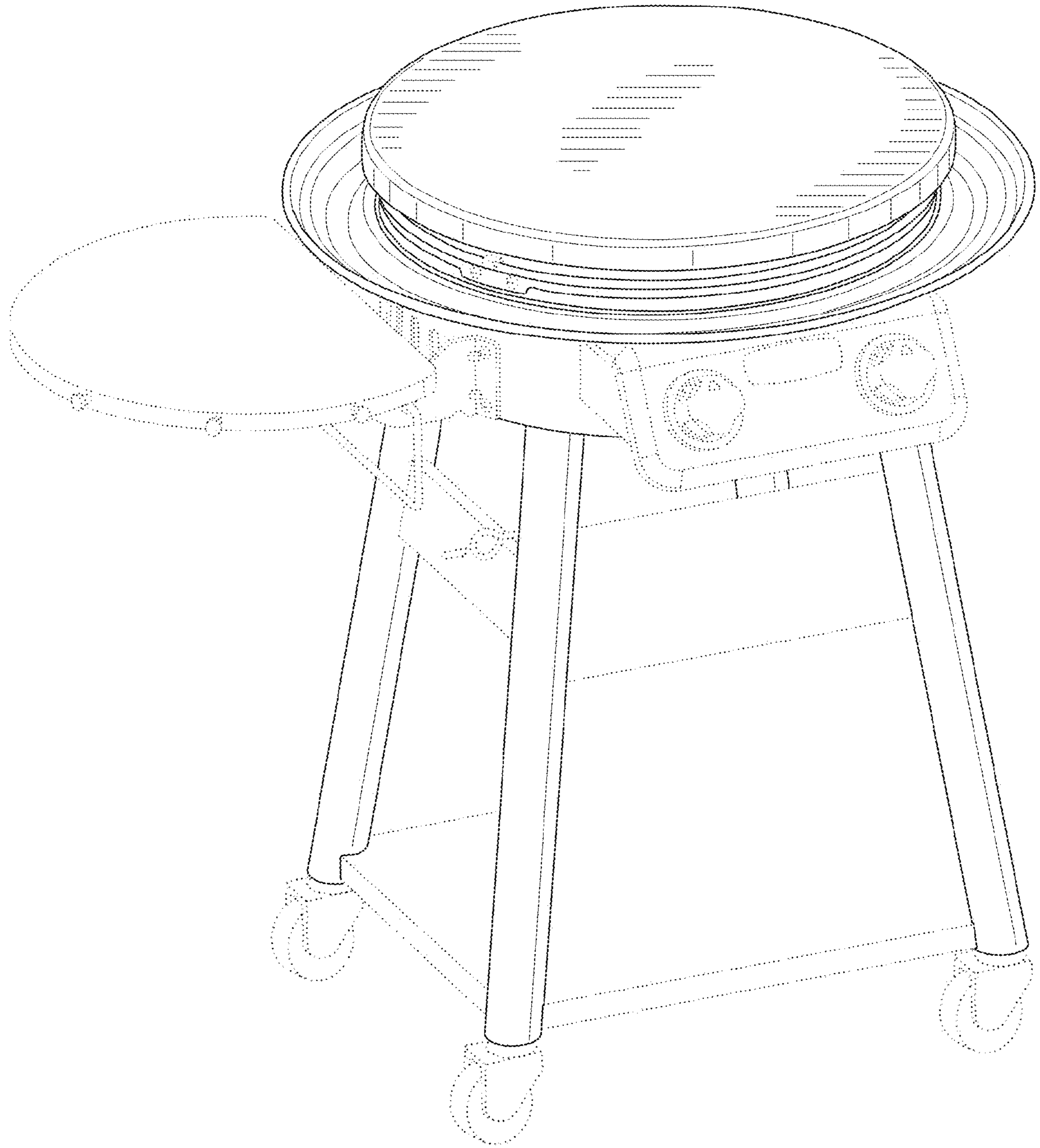


**FIG. 6**

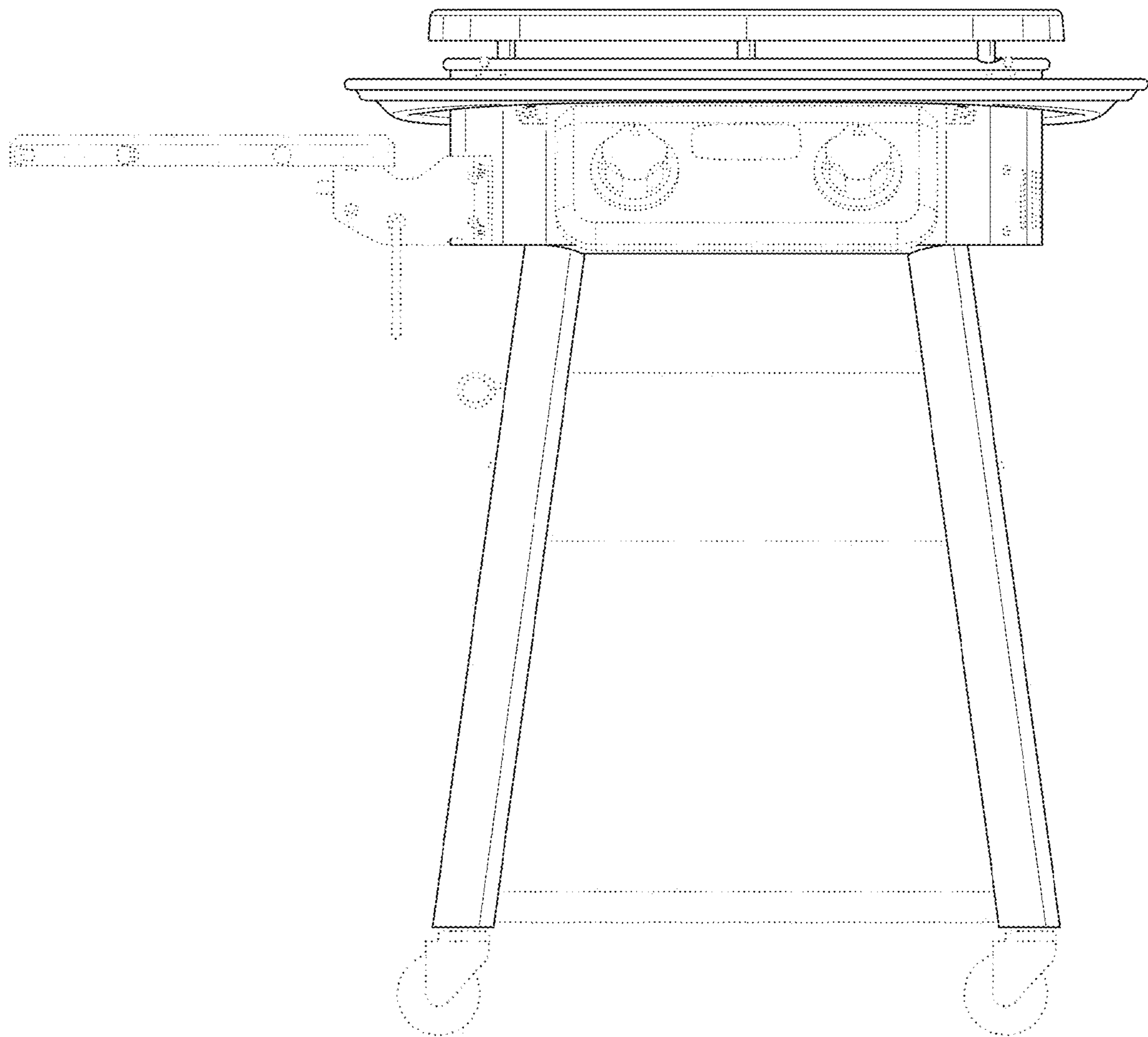




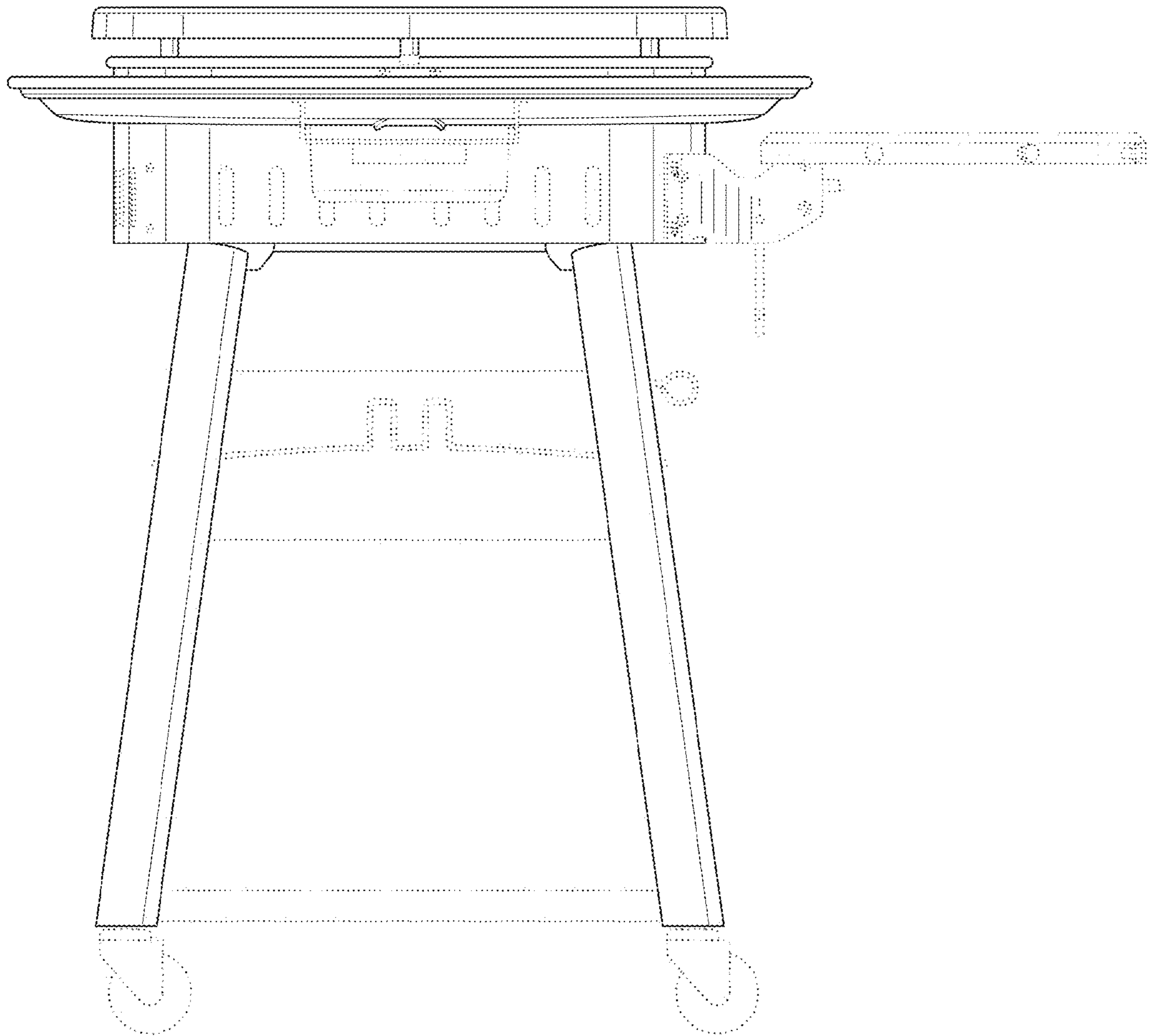
**FIG. 7**



**FIG. 8**

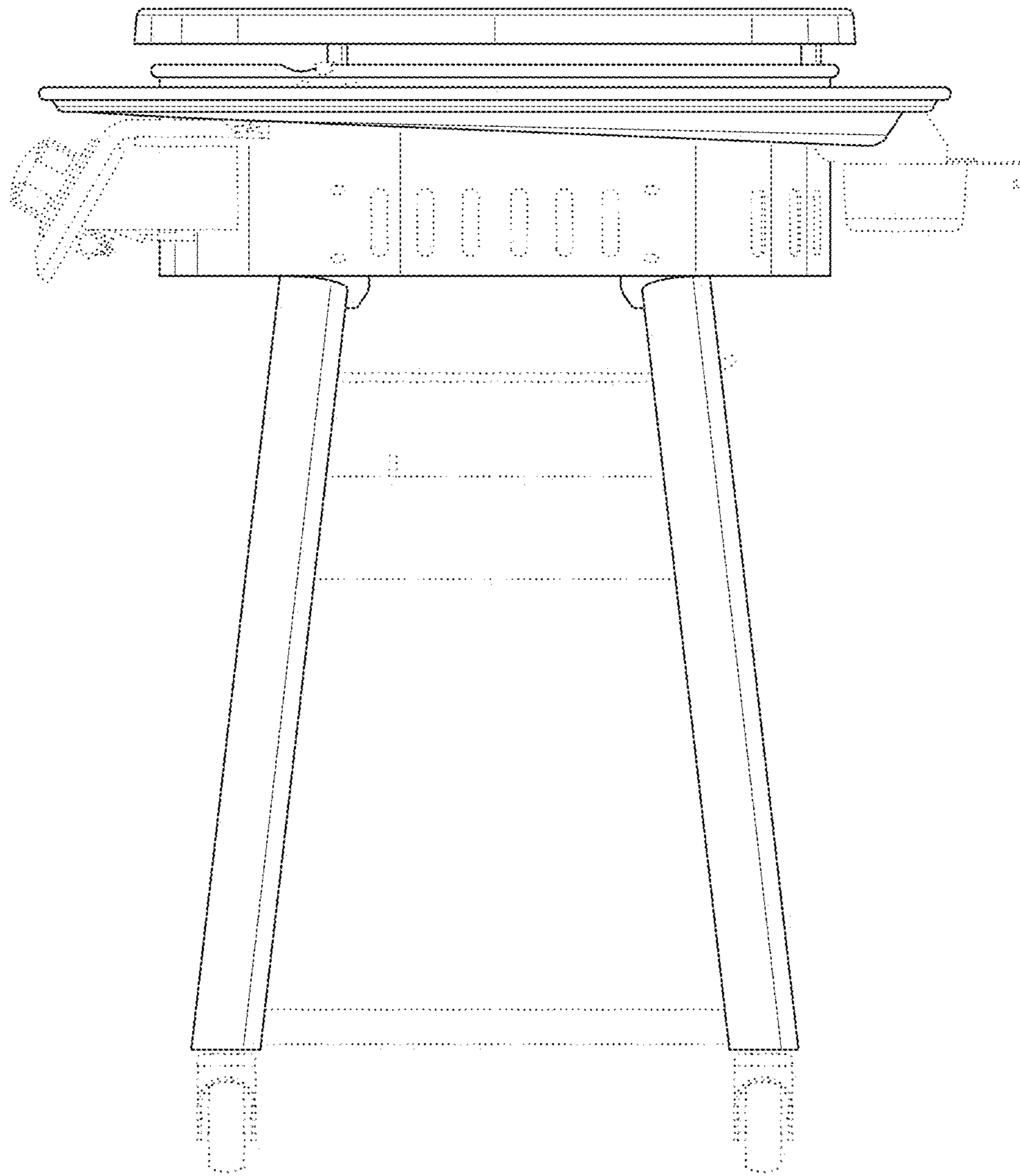


**FIG. 9**

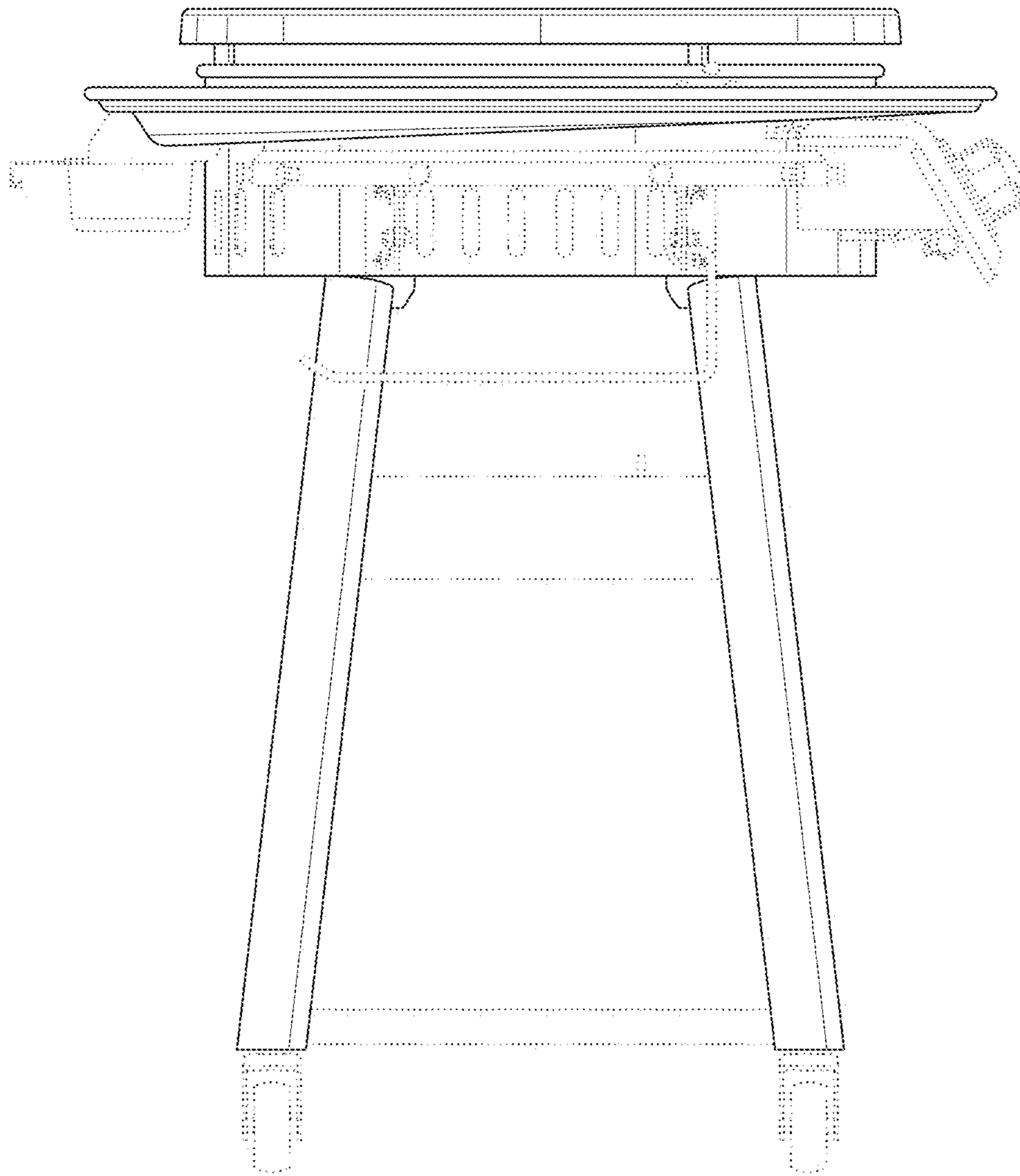


**FIG. 10**

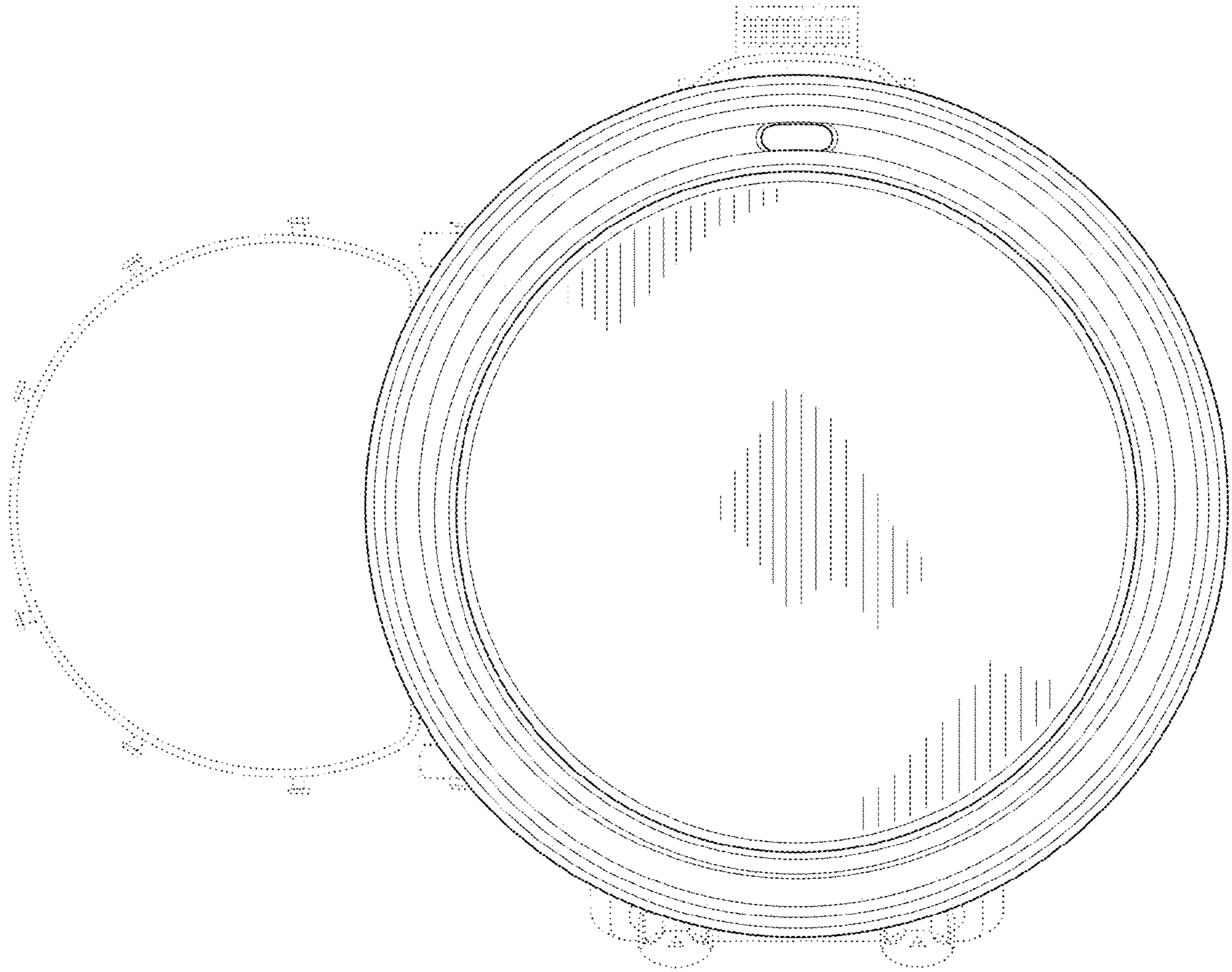




**FIG. 11**



**FIG. 12**



**FIG. 13**