



US00D939877S

(12) **United States Design Patent** (10) **Patent No.:** **US D939,877 S**
Foglia (45) **Date of Patent:** **** Jan. 4, 2022**

- (54) **ESPRESSO MACHINE**
- (71) Applicant: **SIMONELLI GROUP S.P.A.**, Belforte Del Chienti (IT)
- (72) Inventor: **Simone Foglia**, Macerata (IT)
- (**) Term: **15 Years**
- (21) Appl. No.: **29/714,201**
- (22) Filed: **Nov. 21, 2019**
- (30) **Foreign Application Priority Data**

May 30, 2019 (EM) 006537999-0002

- (51) **LOC (13) Cl.** **07-02**
- (52) **U.S. Cl.**
USPC **D7/308**
- (58) **Field of Classification Search**
USPC D7/300, 300.1, 301, 304-322, 372-373, D7/386, 387, 397-401, 412, 414, D7/509-511, 538, 589-590, 598, D7/601-602, 605, 608, 629; D3/202; D20/4-5; D23/201; D24/197, 216, D24/219-220, 224; 99/275; 222/129.1
CPC A47J 31/00-605; A47J 42/00; A47J 42/02; A47J 42/04; A47J 42/06; A47J 42/08; A47J 42/10; A47J 42/12; A47J 42/14; A47J 42/16; A47J 42/18; A47J 42/20
See application file for complete search history.

(56) **References Cited**

U.S. PATENT DOCUMENTS

- D360,555 S * 7/1995 Gil De Miguel D7/309
- D497,510 S * 10/2004 Comorera Ivanov D7/307
- D551,487 S * 9/2007 Baretta D7/307
- D672,998 S * 12/2012 Bonetto D7/309
- D695,052 S * 12/2013 Ottavi D7/309
- D758,778 S * 6/2016 Bonetto D7/306
- D812,404 S * 3/2018 Guelfo D7/307

D862,145 S * 10/2019 Foglia A47J 31/303
D7/309
D865,428 S * 11/2019 Cometti D7/309
2021/0204748 A1* 7/2021 Della Pietra A47J 31/303

OTHER PUBLICATIONS

Design No. 300761031.0000, Sep. 4, 2014—Korean Intellectual Property Office Publication Date—Sep. 18, 2014 Owner—A gun Nuova Nelly Espinoza, Designer—OTA rain Hernando WIPO, available at <https://www3.wipo.int/designdb/en/index.jsp> (Year: 2014).*
 Design No. 006537999-0002, 05/30/201—European Union Intellectual Property Office (EUIPO) Publication Date—Nov. 27, 2019 Owner—Simonelli Group S.P.A. DesignView, available at www.tmdn.org/tmdsview-web/welcome (Year: 2019).*

(Continued)

Primary Examiner — Christian P. McLean
Assistant Examiner — Natalya M Rapundalo
 (74) *Attorney, Agent, or Firm* — Egbert, McDaniel & Swartz, PLLC

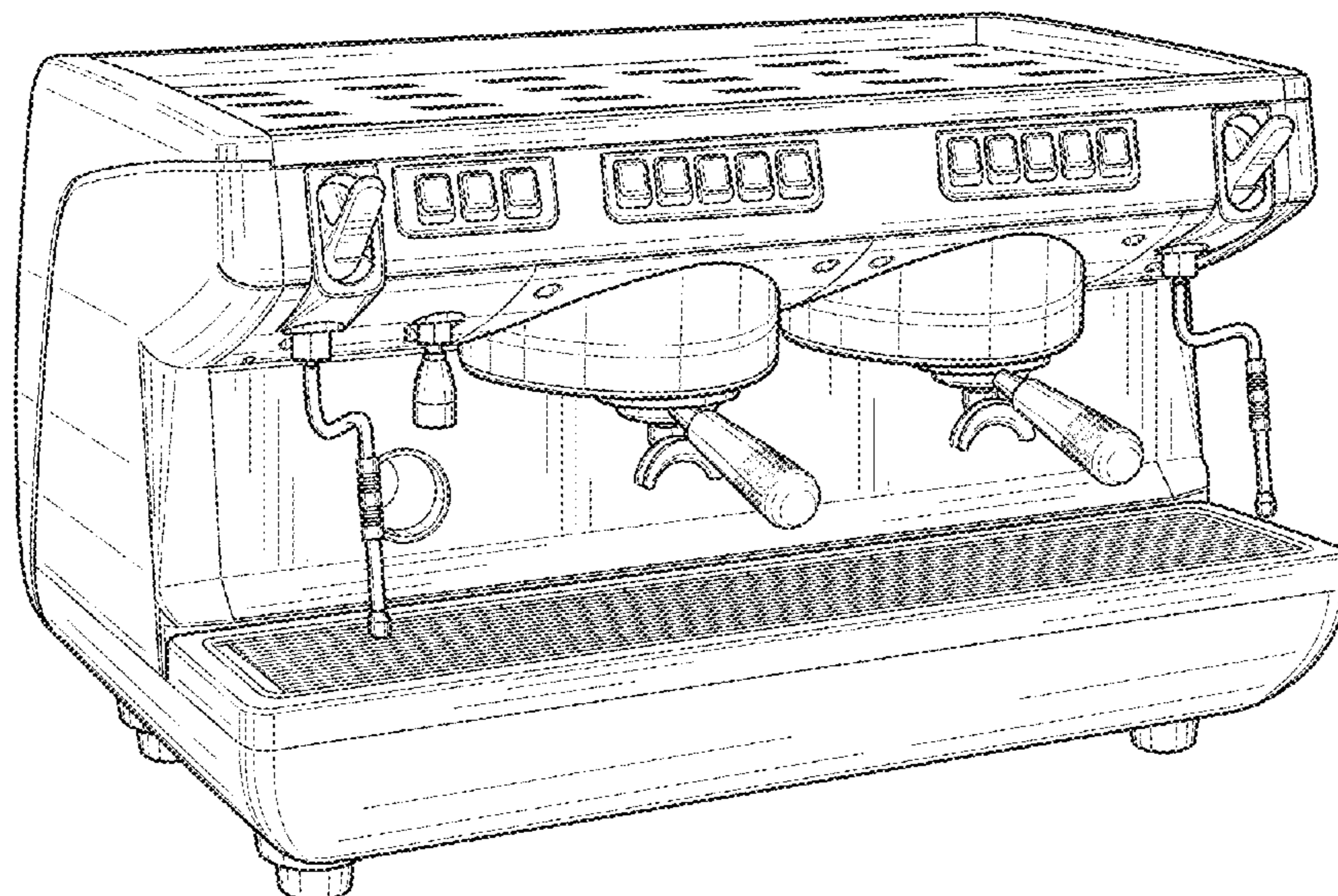
(57) **CLAIM**

The ornamental design for an espresso machine, as shown and described.

DESCRIPTION

FIG. 1 is a front perspective view of an espresso machine showing my new design.
 FIG. 2 is a front view thereof;
 FIG. 3 is a rear view thereof;
 FIG. 4 is a top view thereof;
 FIG. 5 is a right side view thereof;
 FIG. 6 is a left side view thereof; and,
 FIG. 7 is a rear perspective view thereof.
 The broken lines of FIGS. 2, 3, 5 and 6 illustrate portions of the espresso machine that form no part of the claimed design.

1 Claim, 4 Drawing Sheets



(56)

References Cited

OTHER PUBLICATIONS

APPIA Life by Nuova Simonelli, Nuova Simonelli, [online], [site visited Jul. 9, 2021], Available from internet URL: <https://www.nuovasimonelli.it/appialife/> (Year: 2021).*

Design No. 301092422.0000, Jan. 19, 2021—Korean Intellectual Property Office Publication Date—Jan. 25, 2021 Owner—Simonelli Group S P A., Designer—Simon Poggia WIPO, available at <https://www3.wipo.int/designdb/en/index.jsp> (Year: 2021).*

* cited by examiner

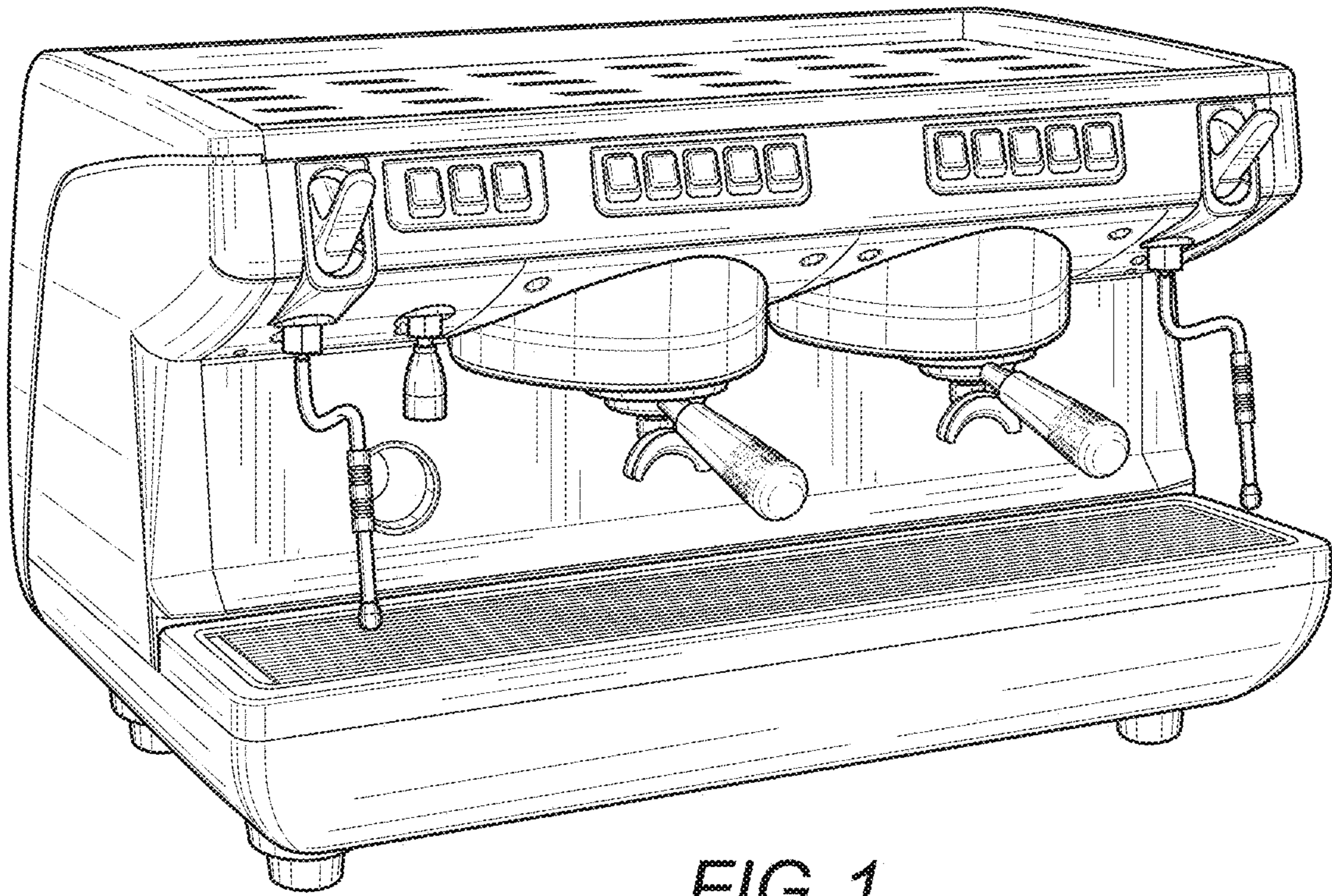


FIG. 1

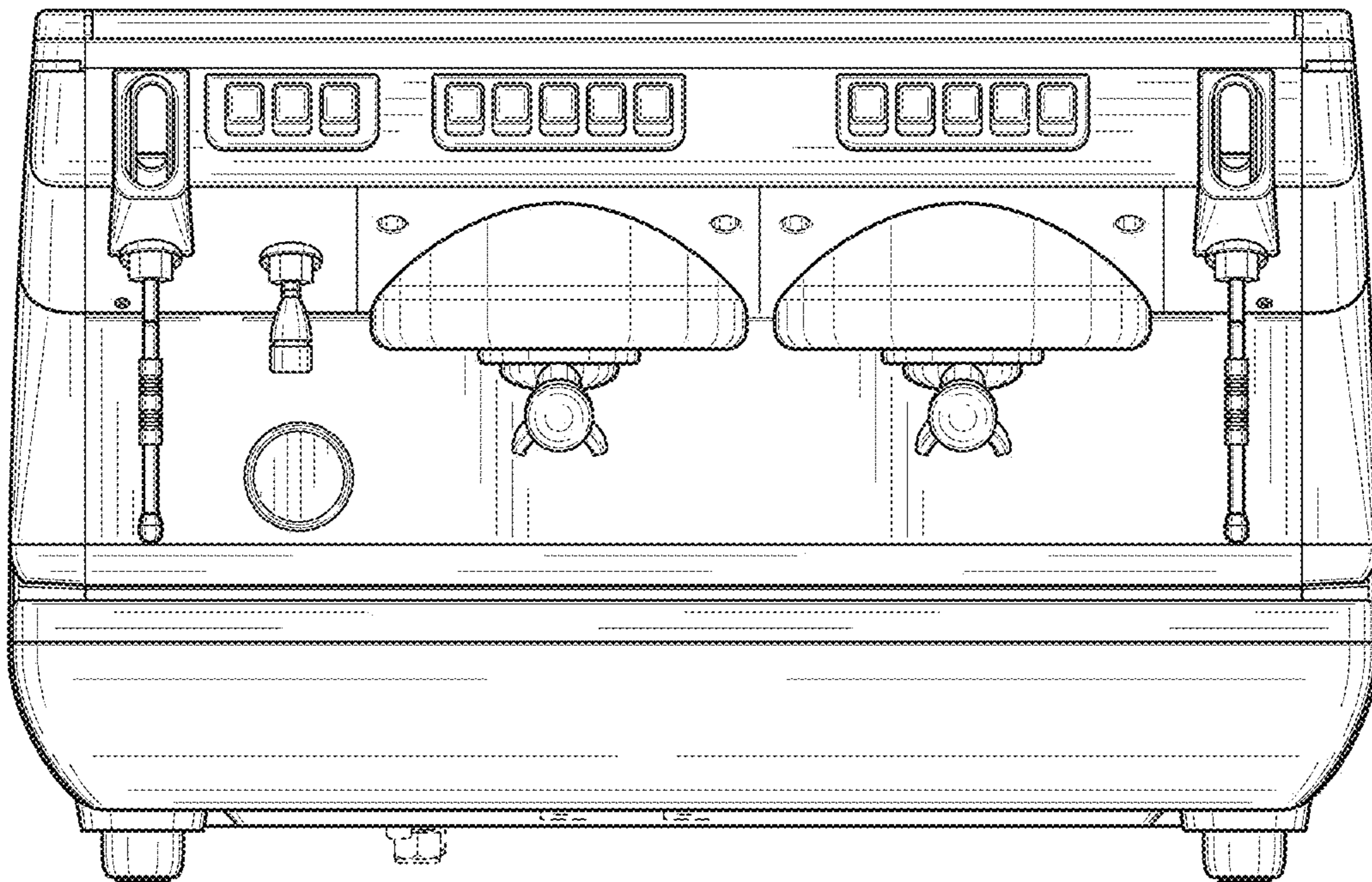


FIG. 2

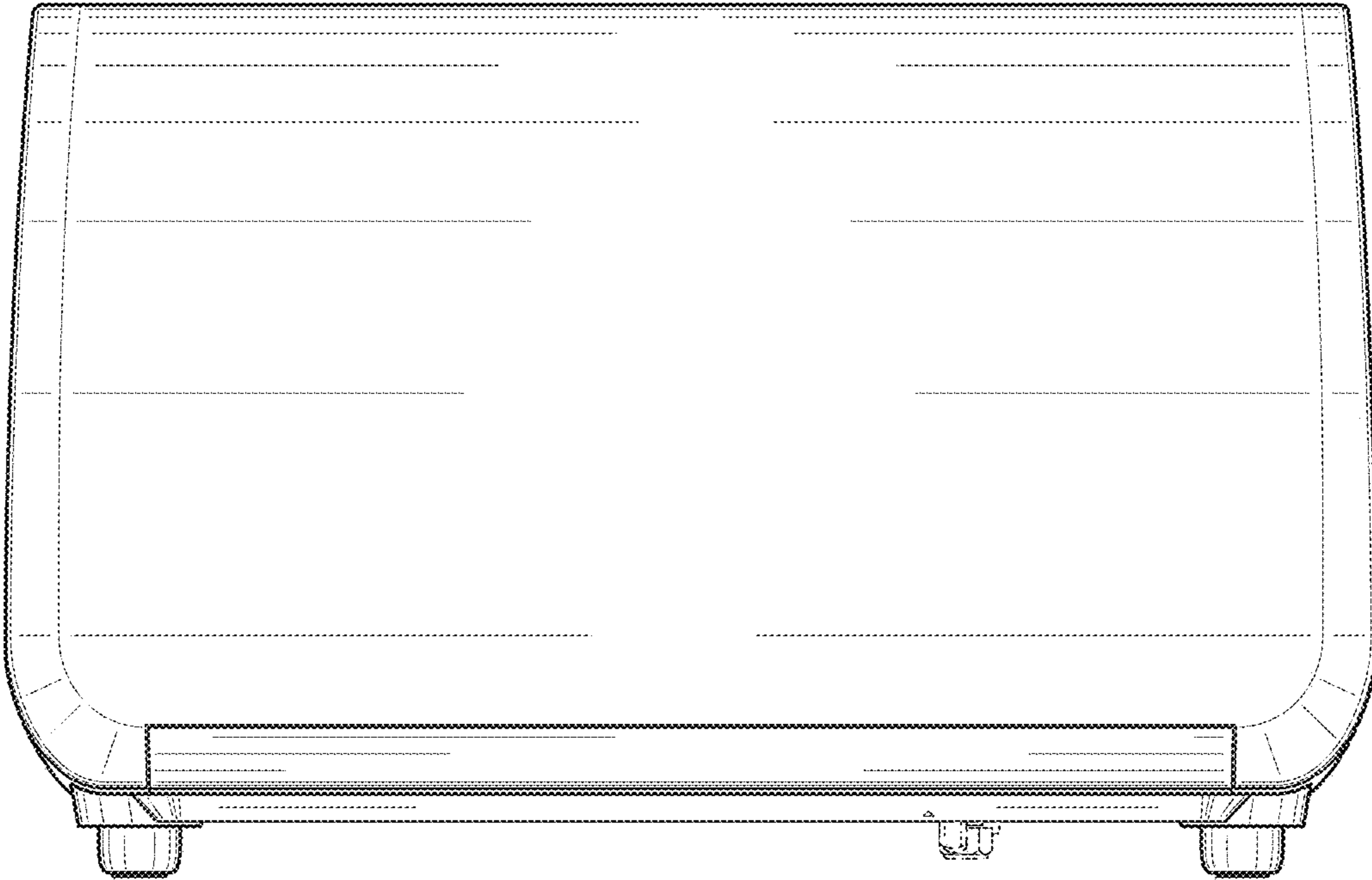


FIG. 3

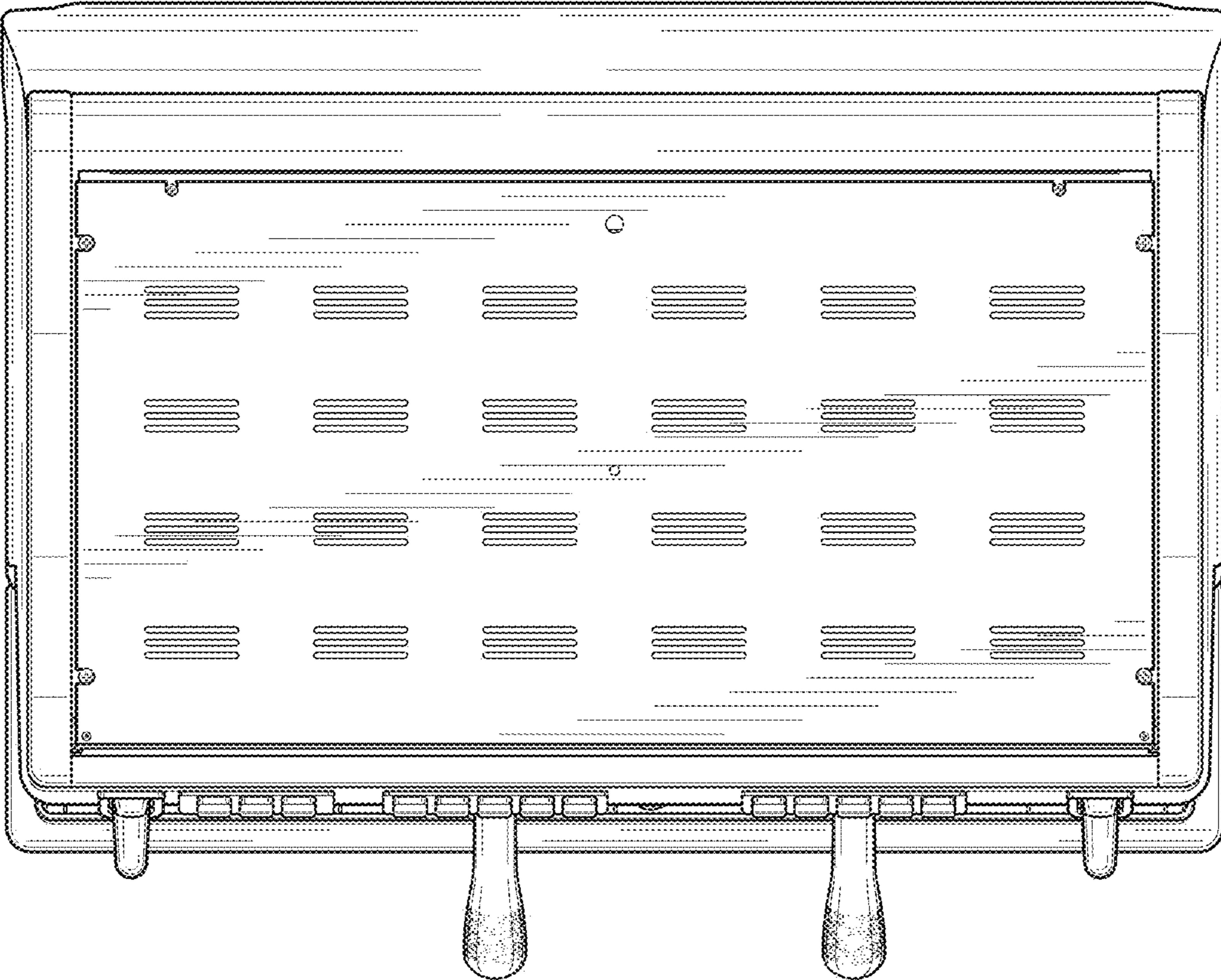


FIG. 4

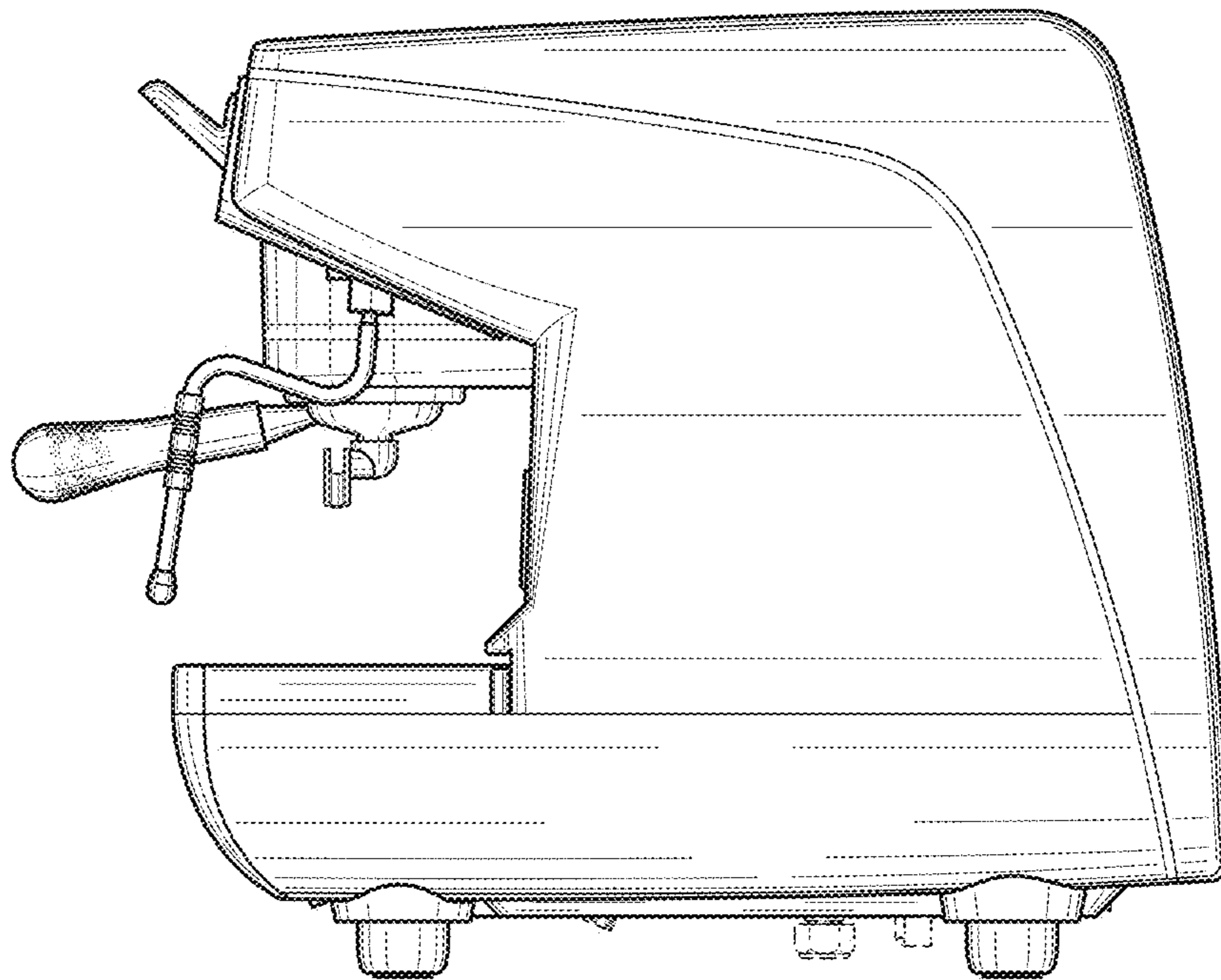


FIG. 5

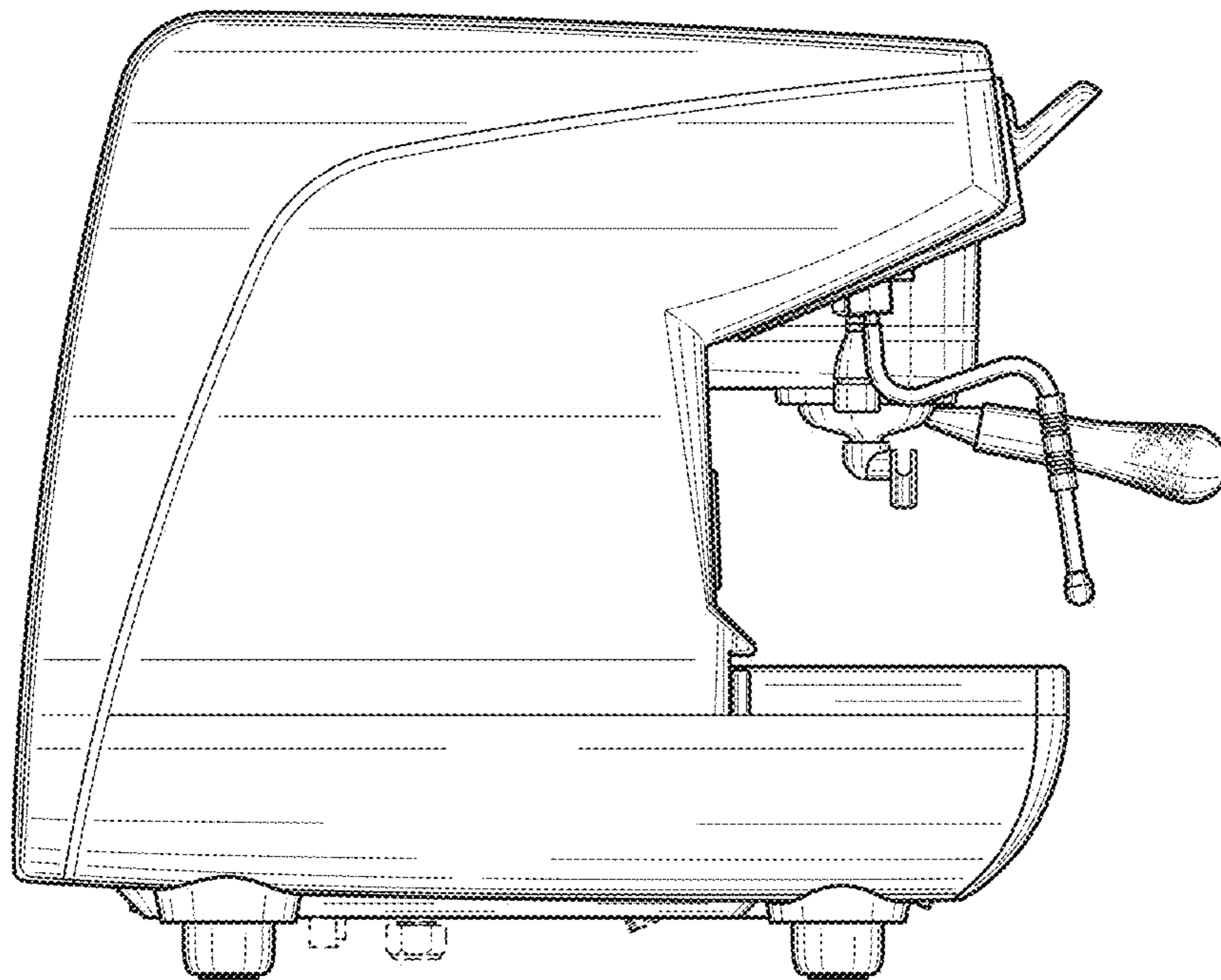


FIG. 6

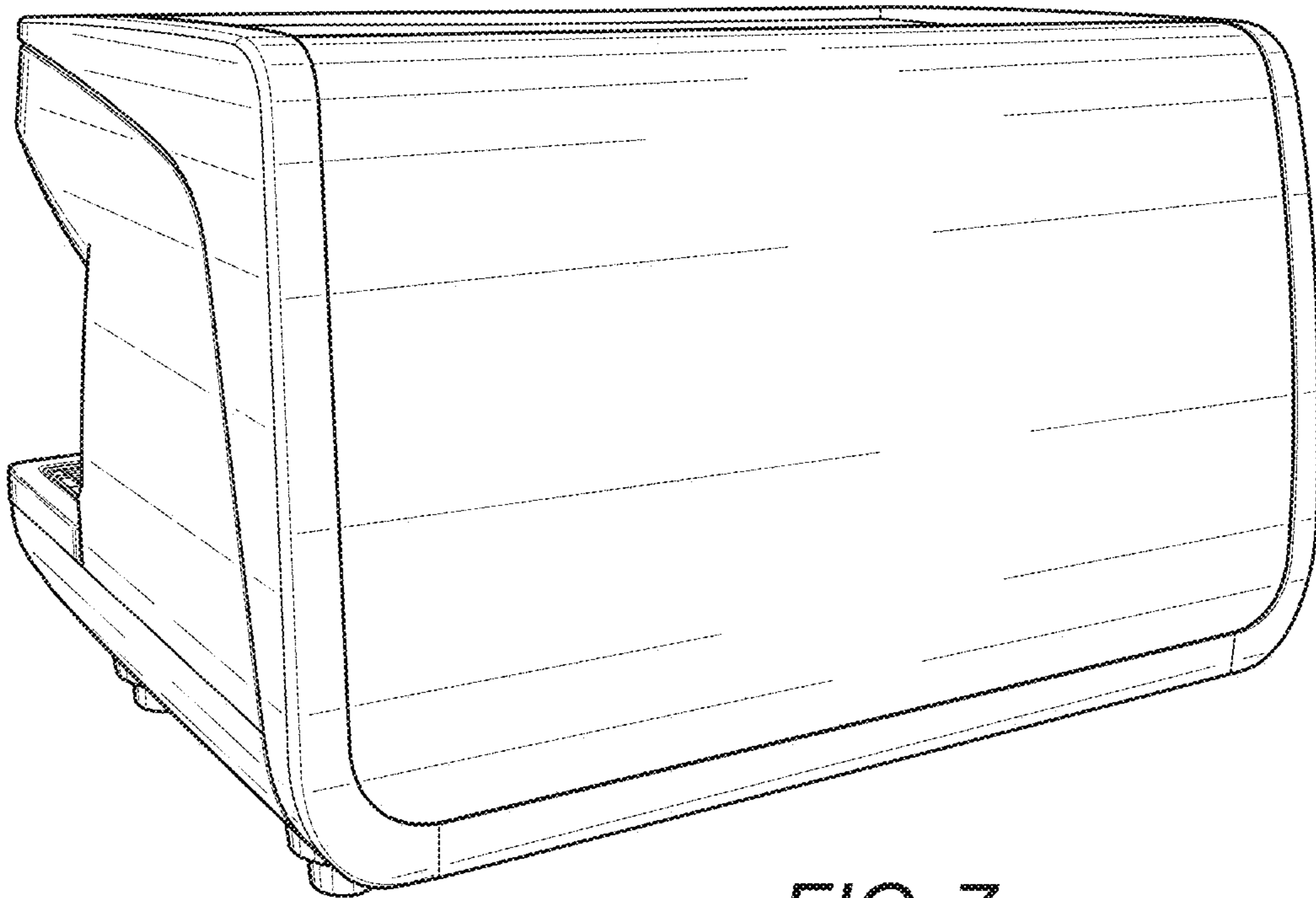


FIG. 7