



US00D939876S

(12) **United States Design Patent**
Merelli

(10) **Patent No.:** **US D939,876 S**

(45) **Date of Patent:** **** Jan. 4, 2022**

(54) **ESPRESSO MACHINE**
(71) Applicant: **SIMONELLI GROUP S.P.A.**, Belforte del Chienti (IT)
(72) Inventor: **Francesco Merelli**, Pollenza (IT)
(**) Term: **15 Years**

D841,384 S * 2/2019 Furstenberg D7/309
D862,145 S * 10/2019 Foglia D7/309
D883,726 S * 5/2020 Guelfo A47J 31/52
D7/309
D934,024 S * 10/2021 Merelli D7/387
2002/0170438 A1* 11/2002 Liu A47J 31/36
99/293
2009/0205502 A1* 8/2009 Carbonini A47J 31/52
99/280

(21) Appl. No.: **29/714,189**

(22) Filed: **Nov. 21, 2019**

(30) **Foreign Application Priority Data**

May 30, 2019 (EM) 006537999-0001

(51) **LOC (13) Cl.** **07-02**

(52) **U.S. Cl.**
USPC **D7/308**

(58) **Field of Classification Search**
USPC D7/300, 300.1, 301, 304-322, 372-373, D7/386, 387, 397-401, 412, 414, D7/509-511, 538, 589-590, 598, D7/601-602, 605, 608, 629; D3/202; D20/4-5; D23/201; D24/197, 216, D24/219-220, 224; 99/275; 222/129.1
CPC A47J 31/00-605; A47J 42/00; A47J 42/02; A47J 42/04; A47J 42/06; A47J 42/08; A47J 42/10; A47J 42/12; A47J 42/14; A47J 42/16; A47J 42/18; A47J 42/20
See application file for complete search history.

(56) **References Cited**

U.S. PATENT DOCUMENTS

D439,788 S * 4/2001 Bettini D7/309
D672,998 S * 12/2012 Bonetto D7/309
D695,052 S * 12/2013 Ottavi A47J 31/36
D7/309
D812,404 S * 3/2018 Guelfo D7/307

OTHER PUBLICATIONS

Design No. 006537999-0001, May 30, 2019—European Union Intellectual Property Office (EUIPO) Publication Date—Nov. 27, 2019 Owner—Simonelli Group S.P.A. DesignView, available at www.tmdn.org/tmdsview-web/welcome (Year: 2019).*

(Continued)

Primary Examiner — Christian P. McLean
Assistant Examiner — Natalya M Rapundalo
(74) *Attorney, Agent, or Firm* — Egbert, McDaniel & Swartz, PLLC

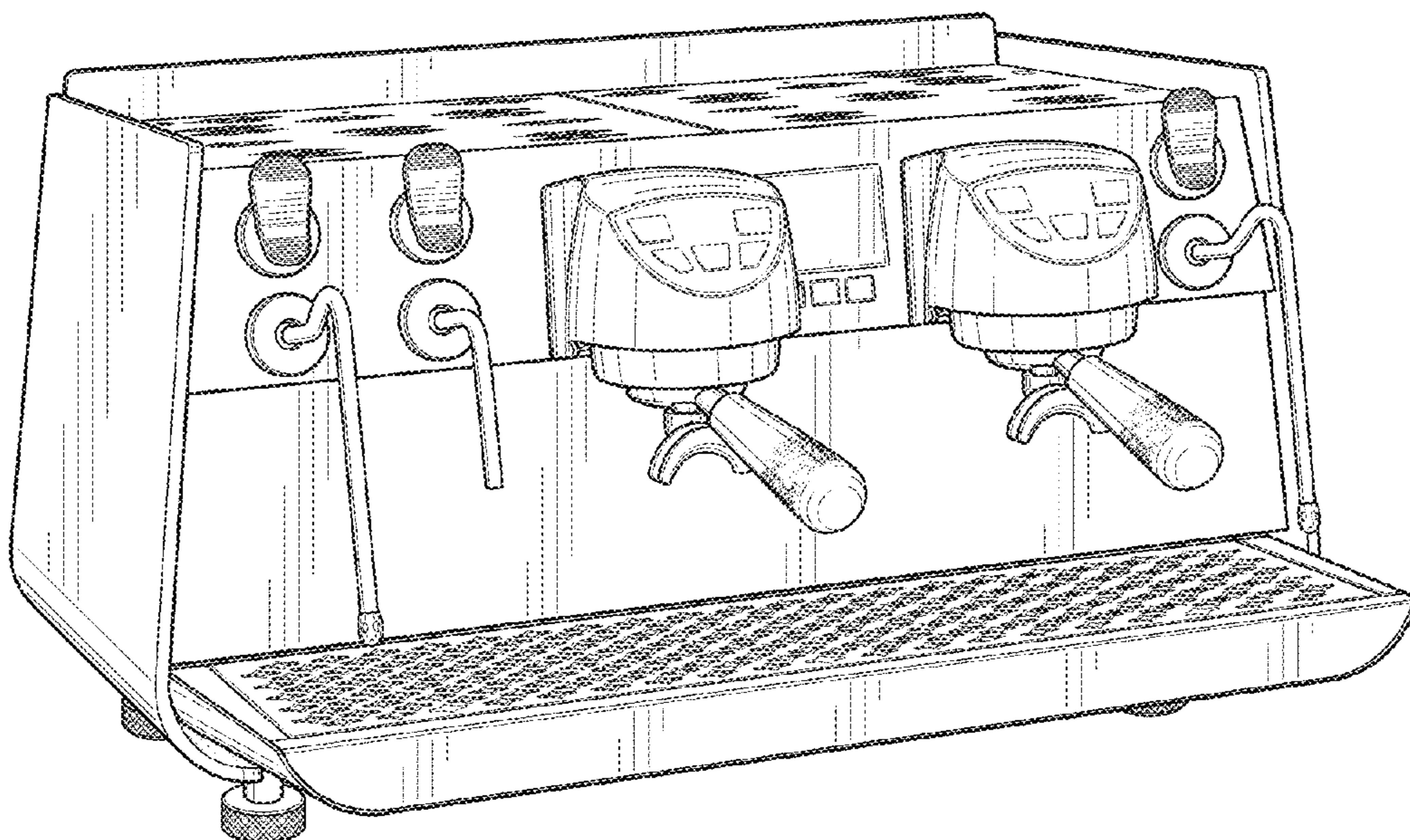
(57) **CLAIM**

The ornamental design for an espresso machine, as shown and described.

DESCRIPTION

FIG. 1 is a front perspective view of an espresso machine showing my new design;
FIG. 2 is a front view thereof;
FIG. 3 is a rear view thereof;
FIG. 4 is a top view thereof;
FIG. 5 is a right side view thereof;
FIG. 6 is a left side view thereof; and,
FIG. 7 is a rear perspective view thereof.
The broken lines of FIG. 2 illustrate portions of the espresso machine that form no part of the claimed design.

1 Claim, 4 Drawing Sheets



(56)

References Cited

OTHER PUBLICATIONS

Design No. 305252203, Jul. 9, 2019—China National Intellectual Property Administration Publication Date—Jul. 9, 2019 Owner—Teknideta Hotel Electric Equipment Co Ltd., Designer—Nabeiro Rui Miguel WIPO, available at <https://www3.wipo.int/designdb/en/index.jsp> (Year: 2019).*

Design No. 301092421.0000, Jan. 19, 2021—Korean Intellectual Property Office Publication Date—Jan. 25, 2021 Owner—Simonelli Group S.P.A., Designer—Morelli Francesco WIPO, available at <https://www3.wipo.int/designdb/en/index.jsp> (Year: 2021).*

Eagle One by Victoria Arduino, Victoria Arduino, [online], [site visited Jul. 9, 2021], Available from internet URL: <https://www.victoriaarduino.com/eagleone/> (Year: 2021).*

* cited by examiner

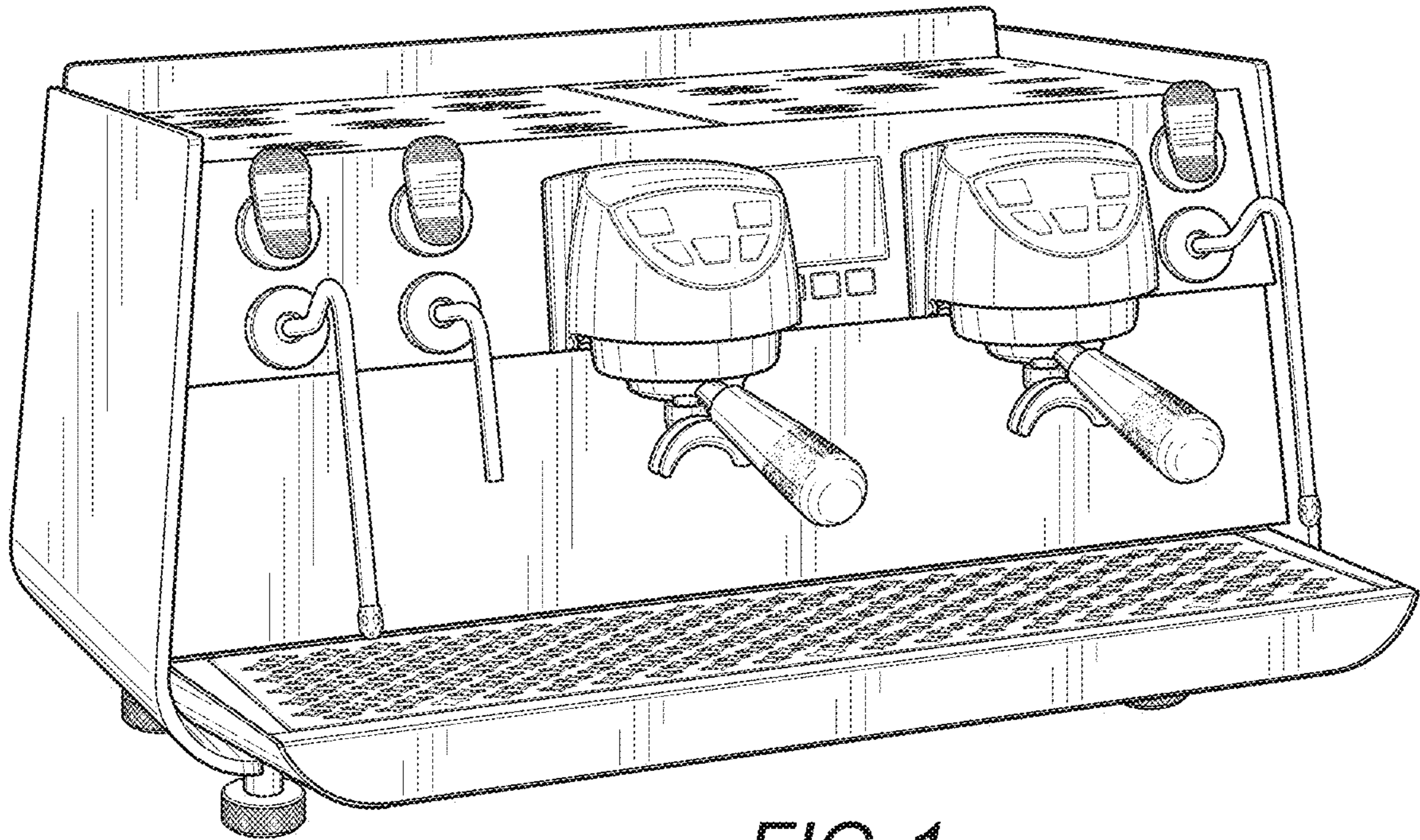


FIG. 1

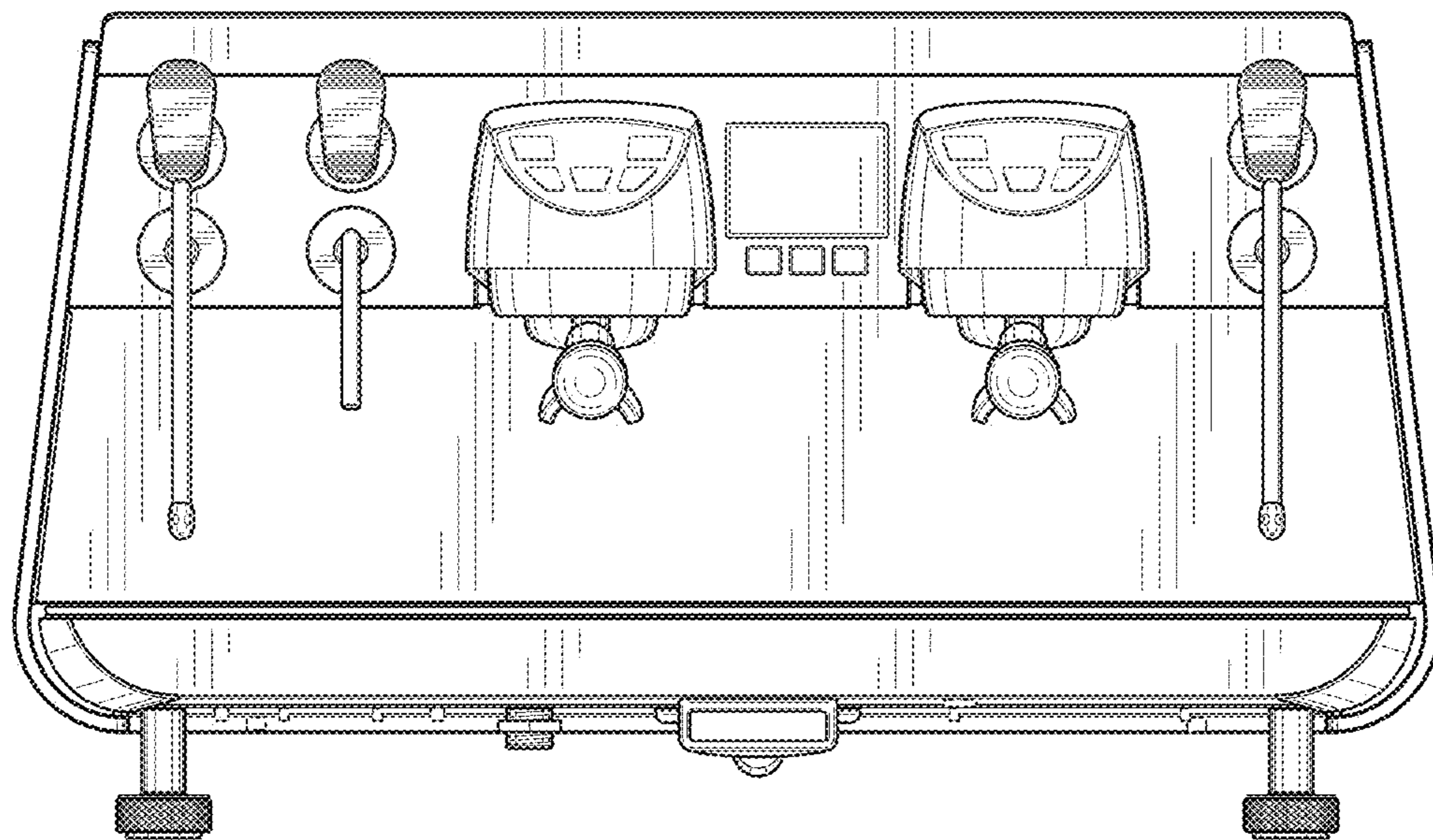


FIG. 2

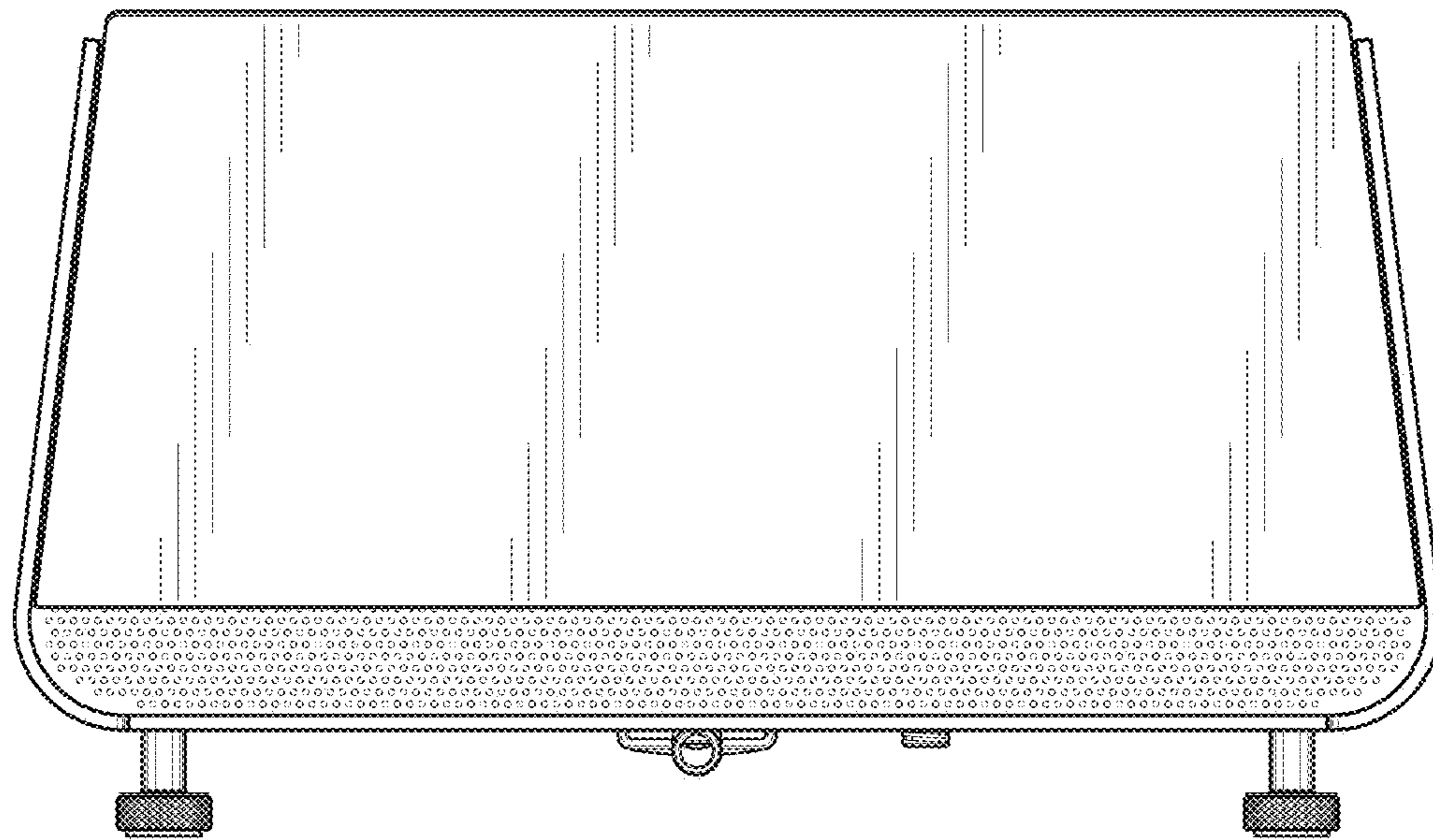


FIG. 3

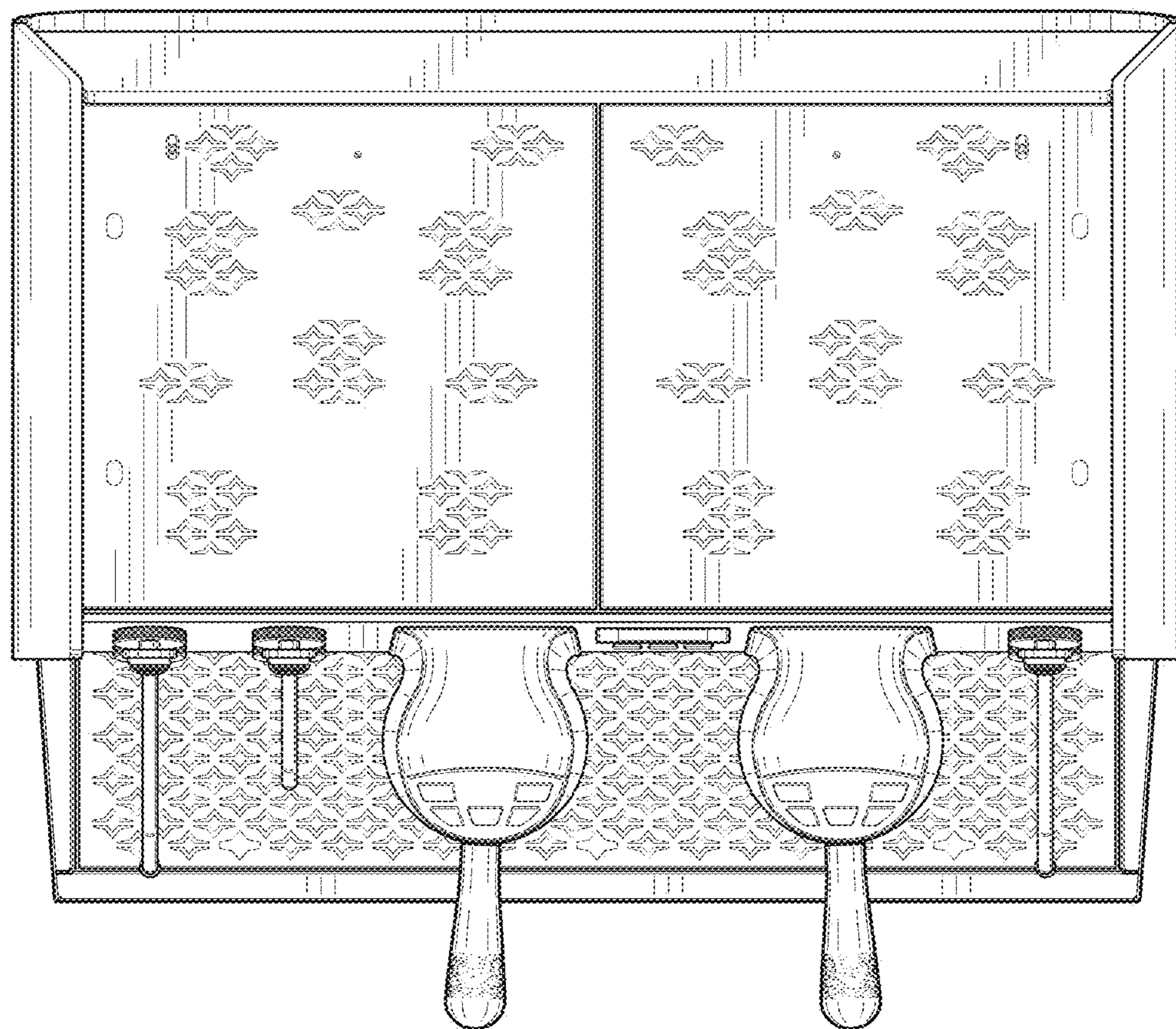


FIG. 4

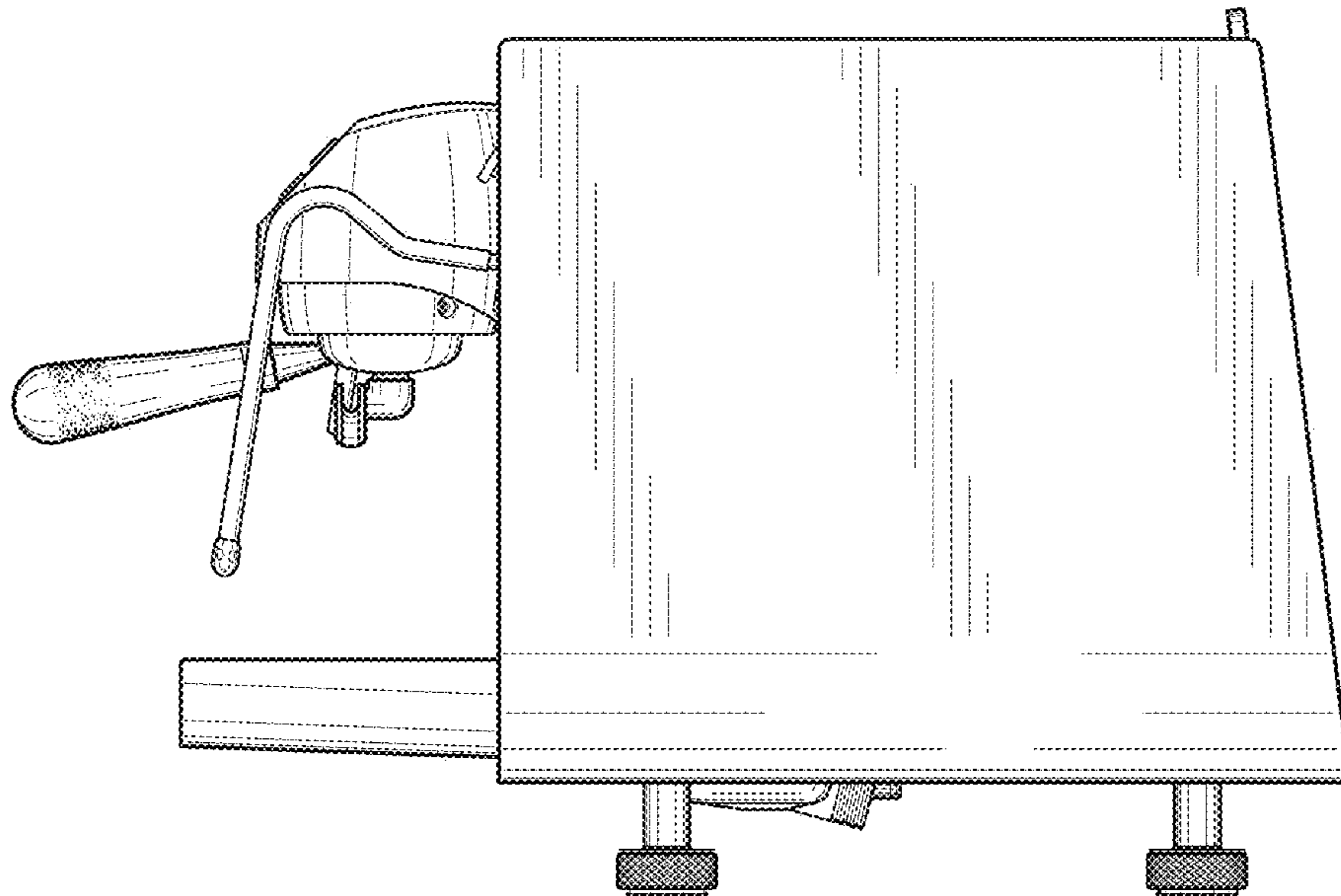


FIG. 5

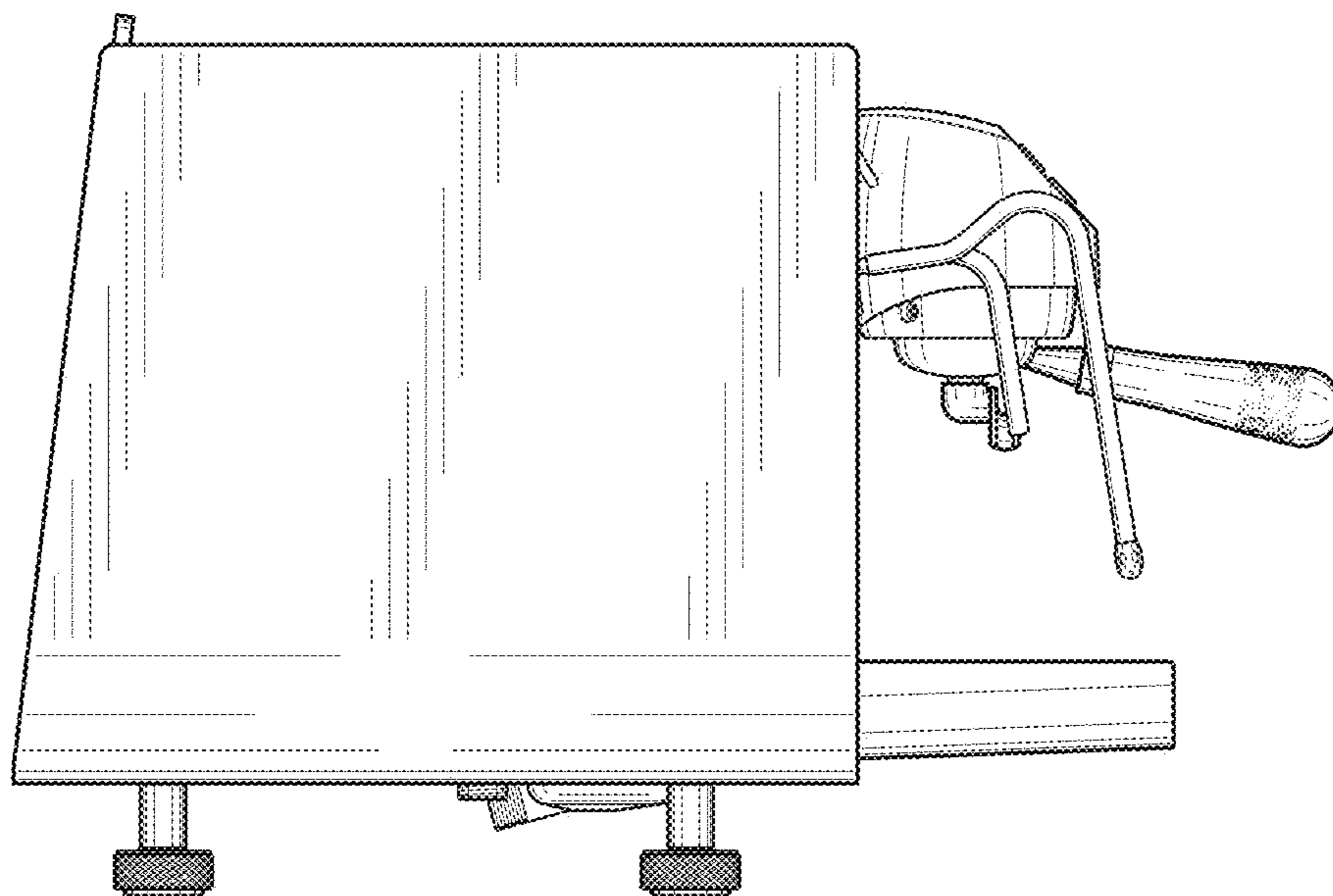


FIG. 6

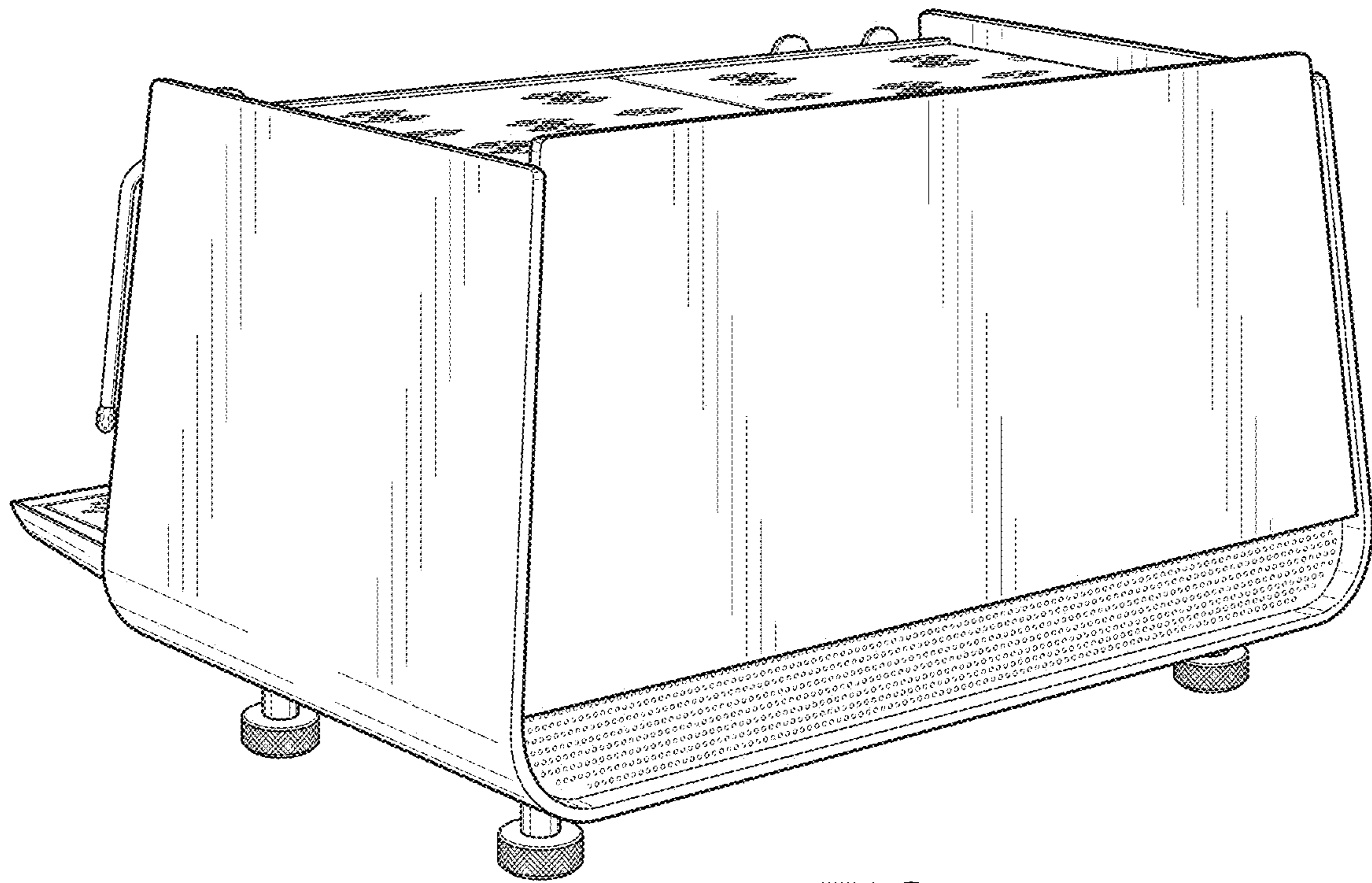


FIG. 7