



US00D939875S

(12) **United States Design Patent**  
**Rubin**

(10) **Patent No.:** **US D939,875 S**  
(45) **Date of Patent:** **\*\* Jan. 4, 2022**

- (54) **BEVERAGE DISPENSER**
- (71) Applicant: **BHRS Group**, Lakewood, NJ (US)
- (72) Inventor: **Jonathan Rubin**, Lakewood, NJ (US)
- (73) Assignee: **BHRS GROUP**, Lakewood, NJ (US)
- (\*\*) Term: **15 Years**
- (21) Appl. No.: **29/744,316**
- (22) Filed: **Jul. 28, 2020**
- (51) **LOC (13) Cl.** ..... **23-01**
- (52) **U.S. Cl.**  
USPC ..... **D7/306**; D7/311; D23/207
- (58) **Field of Classification Search**  
USPC ..... D7/300–322, 378, 397–400, 602, 603,  
D7/700; D9/417, 447, 524–526, 530,  
D9/572, 575, 633; D15/81, 82; D20/1;  
D23/201, 205, 209, 207; D24/216, 220,  
D24/224; D30/121, 132; D34/39;  
99/275, 276  
CPC ..... A23G 9/0452; A47J 31/00; A47J 31/007;  
A47J 31/057; A47J 31/10; A47J 31/3676;  
A47J 31/40; A47J 31/402; A47J 31/404;  
A47J 31/41; A47J 31/4482; A47J  
31/4489; A47J 43/042; A47J 43/27; A47J  
2043/04454; B67D 1/00; B67D 1/0004;  
B67D 1/0021; B67D 1/0078; B67D  
1/0462; B67D 1/0801; B67D 1/0872;  
B67D 1/1252; B67D 2001/0087; B67D  
2001/0098; B67D 2001/0822; B67D  
3/0032; B67D 3/0035; B67D 7/82; B67D  
7/84; C02F 1/002; C02F 1/003; C12C  
11/00; C12C 11/006; C12C 13/10  
See application file for complete search history.

(56) **References Cited**

**U.S. PATENT DOCUMENTS**

- D648,973 S \* 11/2011 De' Longhi ..... D7/309
- D718,413 S \* 11/2014 Choi ..... D23/207

- D732,331 S \* 6/2015 Tomasson ..... D7/306
- D821,132 S \* 6/2018 Cometti ..... A47J 31/5253  
D7/309
- D842,966 S \* 3/2019 Shin ..... C02F 1/008  
D23/207
- D881,624 S \* 4/2020 Rubin ..... B67D 1/004  
D7/308

(Continued)

**OTHER PUBLICATIONS**

Avalon A9 Electric Touch Countertop Bottleless Cooler Water Dispenser, first available Aug. 8, 2019, Amazon, [online], [site visited Sep. 10, 2021], Available from internet URL: <https://www.amazon.com/Avalon-A9-Countertop-Dispenser-3-Temperatures/dp/B08FVHJCPN> (Year: 2019).\*

(Continued)

*Primary Examiner* — Mary Ann Calabrese  
*Assistant Examiner* — Natalya M Rapundalo  
(74) *Attorney, Agent, or Firm* — Lombard & Geliebter LLP; Antonio Papageorgiou

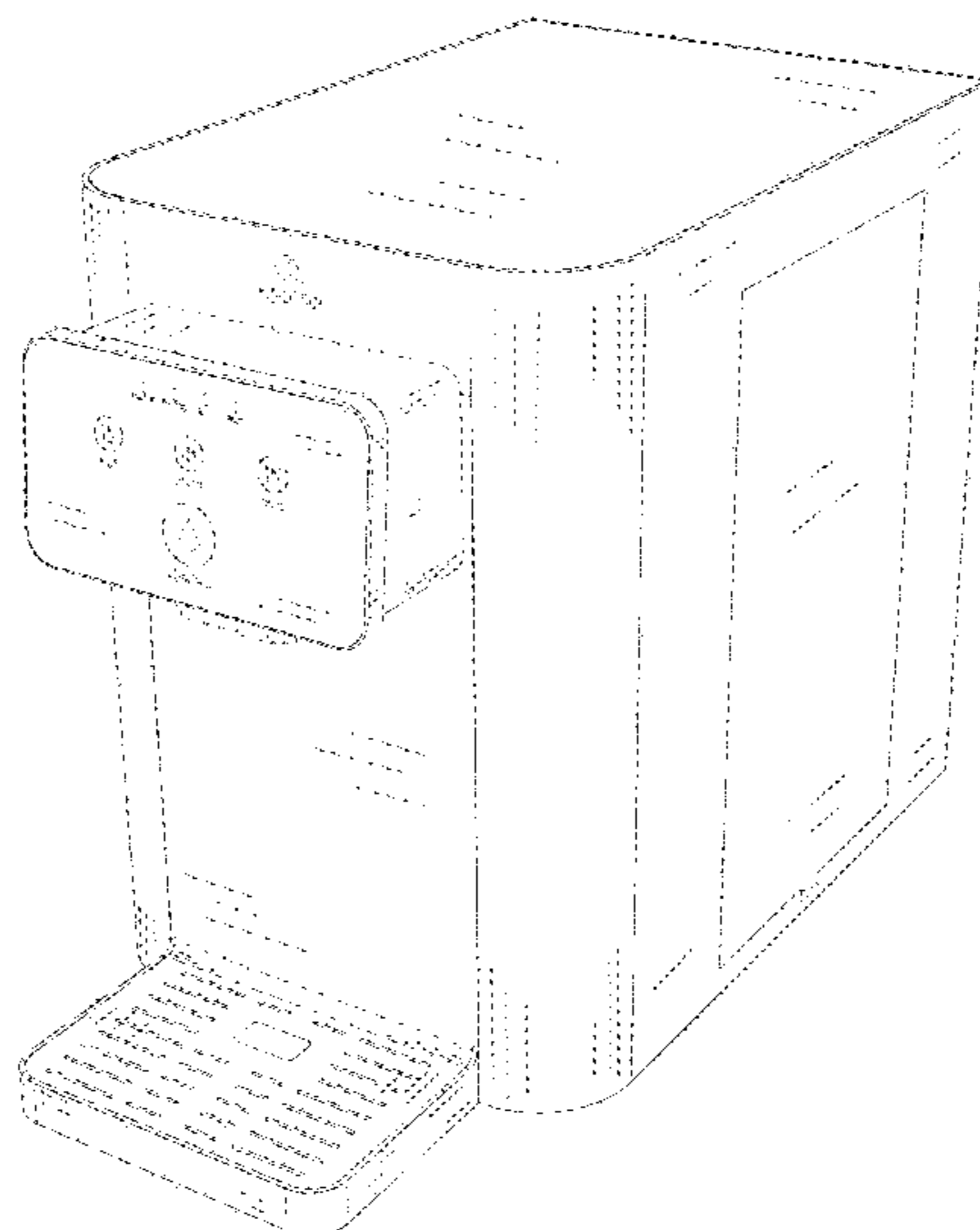
(57) **CLAIM**

The ornamental design for a beverage dispenser, as shown and described.

**DESCRIPTION**

FIG. 1 is a perspective view showing the top, front, and right side of the beverage dispenser, showing my new design; FIG. 2 is a perspective view showing the bottom, front, and right side thereof; FIG. 3 is a front view thereof; FIG. 4 is a right side view thereof, with the left side view being a mirror image of the right side view; and, FIG. 5 is a top view thereof. The broken line(s) in the figures indicate parts of the beverage dispenser which are not part of the claimed design.

**1 Claim, 5 Drawing Sheets**



(56)

**References Cited**

U.S. PATENT DOCUMENTS

2012/0222999 A1\* 9/2012 Ha ..... C02F 1/008  
210/175  
2018/0016129 A1\* 1/2018 Park ..... B67D 1/0864  
2019/0047837 A1\* 2/2019 Lee ..... B67D 1/004  
2021/0059467 A1\* 3/2021 Wolbeck ..... A47J 31/5253

OTHER PUBLICATIONS

Design No. 306068191, Sep. 22, 2020—China National Intellectual Property Administration (CNIPA) Publication Date—Sep. 22, 2020  
Owner—Chuangyin Technology (Shenzhen) Co Ltd, Designer—  
Ding Haowei WIPO, available at <https://www3.wipo.int/designdb/en/index.jsp> (Year: 2020).\*

Avalon A9, Avalon H2O, [online], [site visited Sep. 10, 2021],  
Available from internet URL: <https://www.avalonh2o.com/products/a9-bottleless-countertop-water-cooler> (Year: 2021).\*

\* cited by examiner

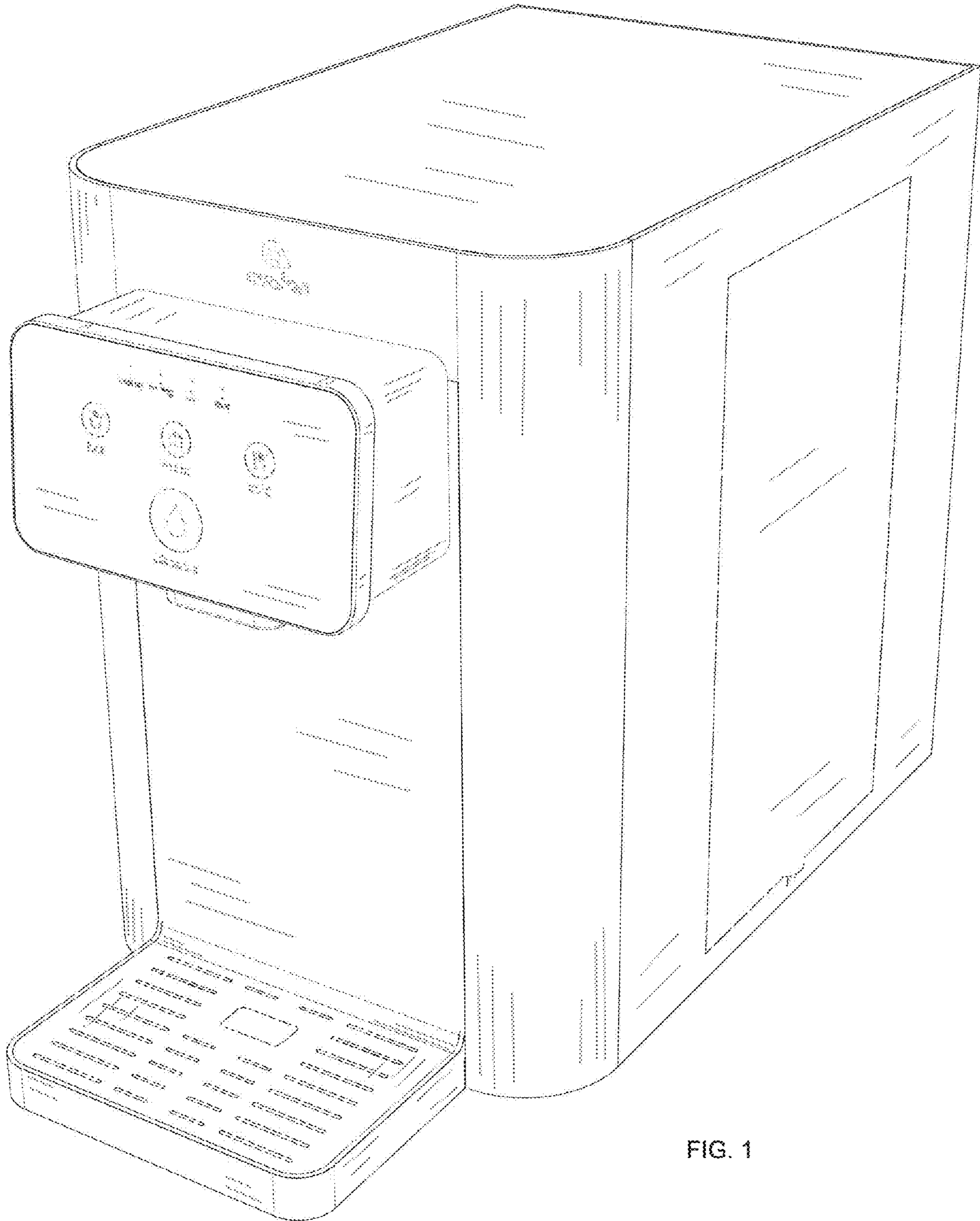


FIG. 1

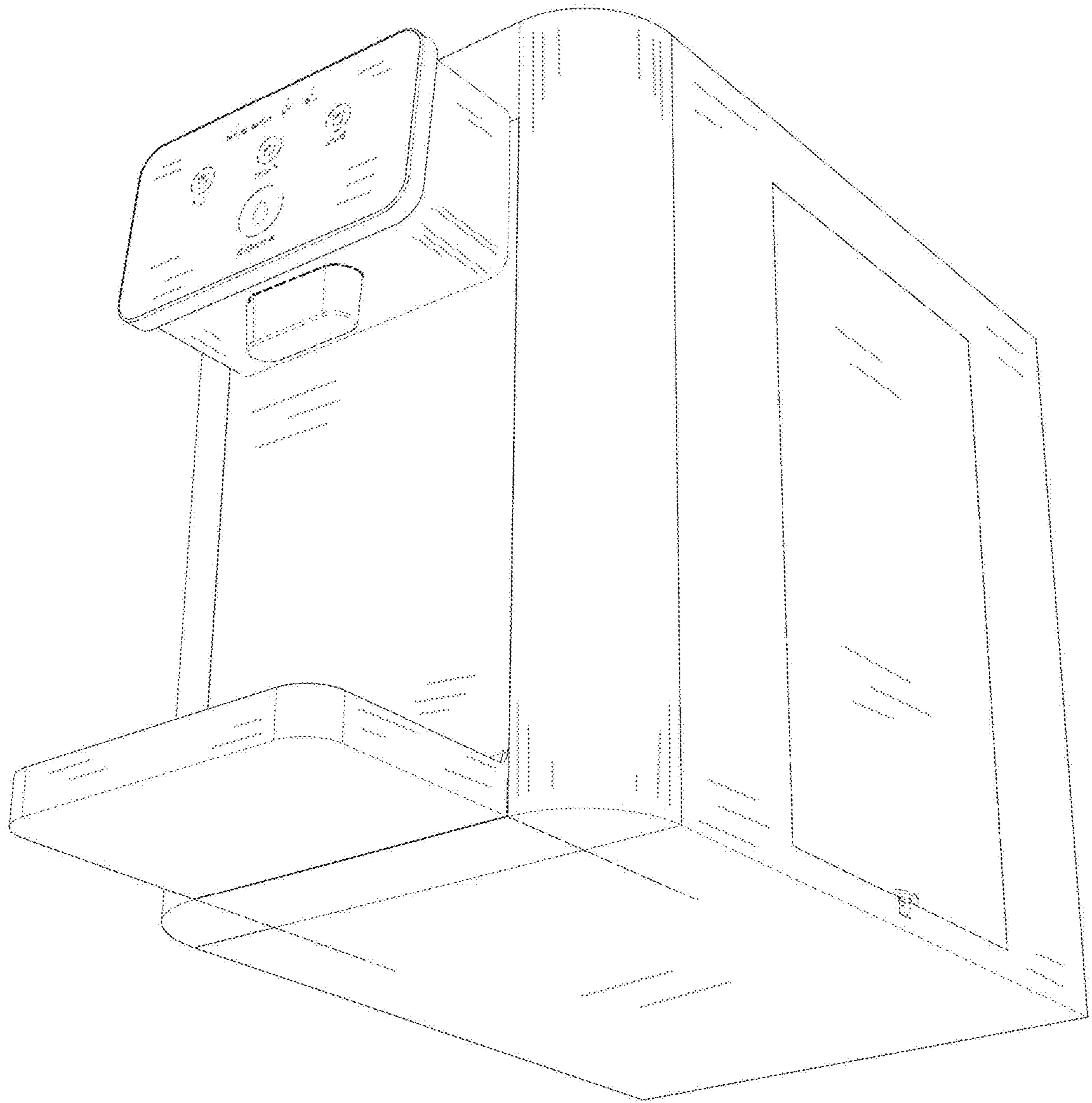


FIG. 2

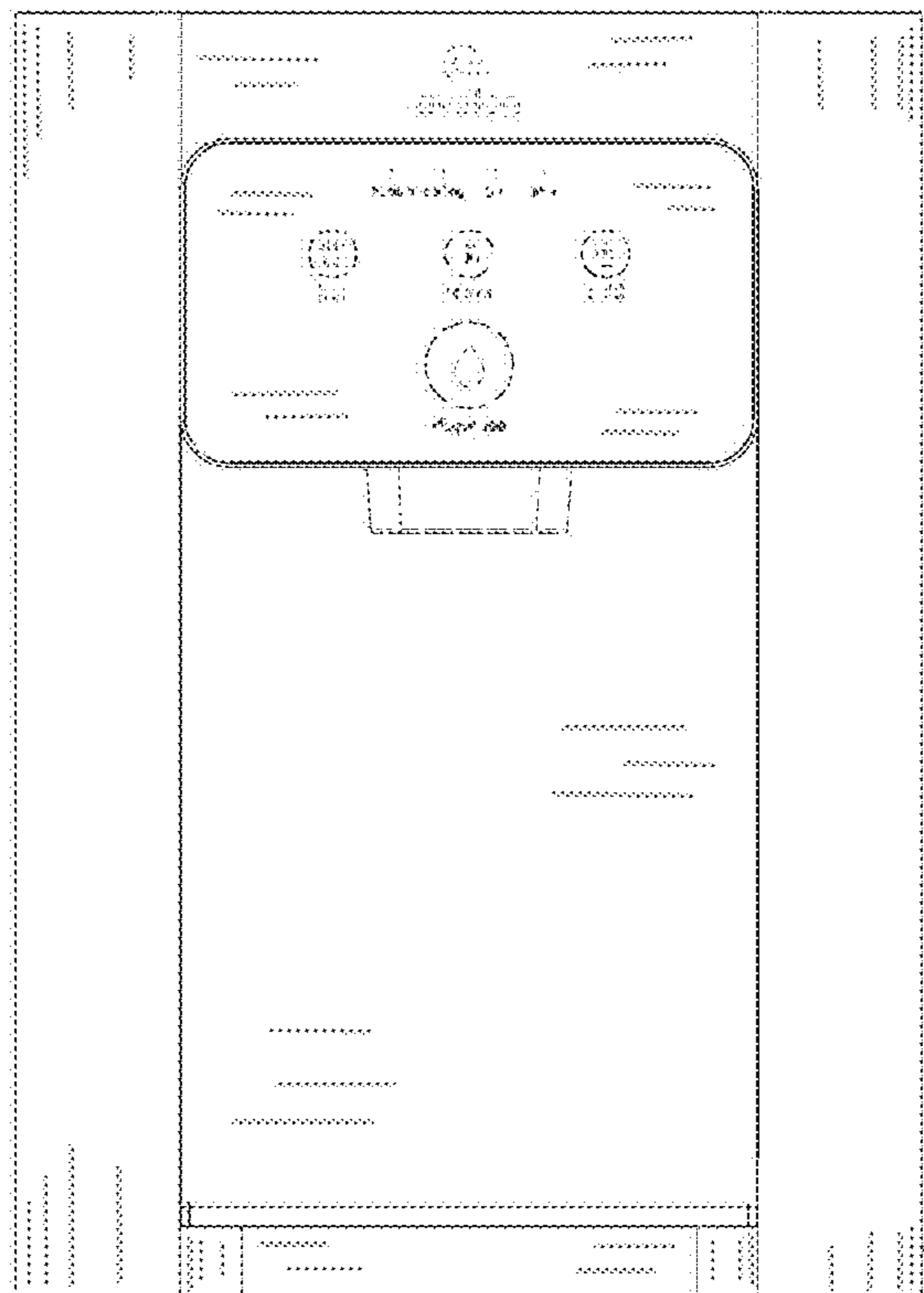


FIG. 3



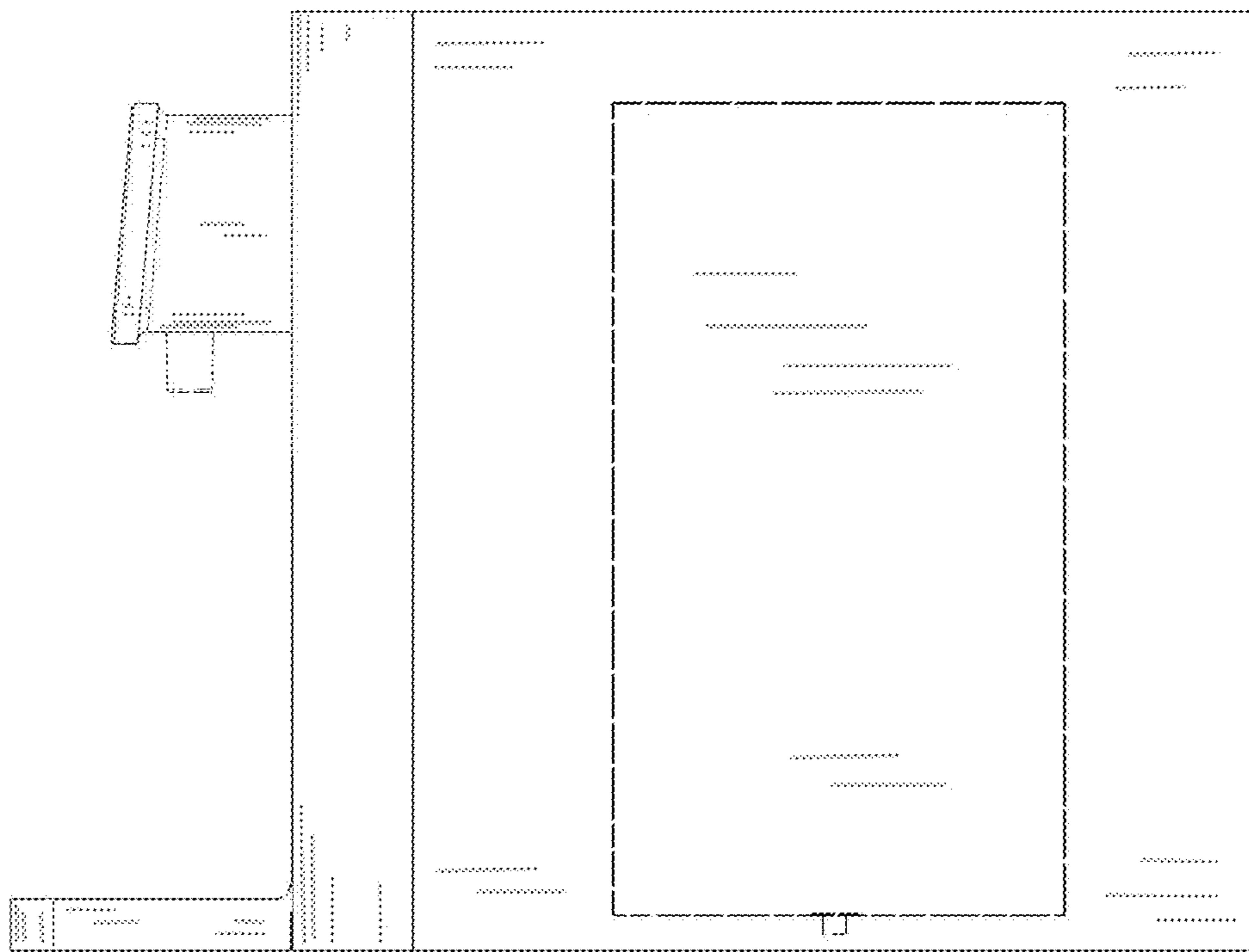


FIG. 4

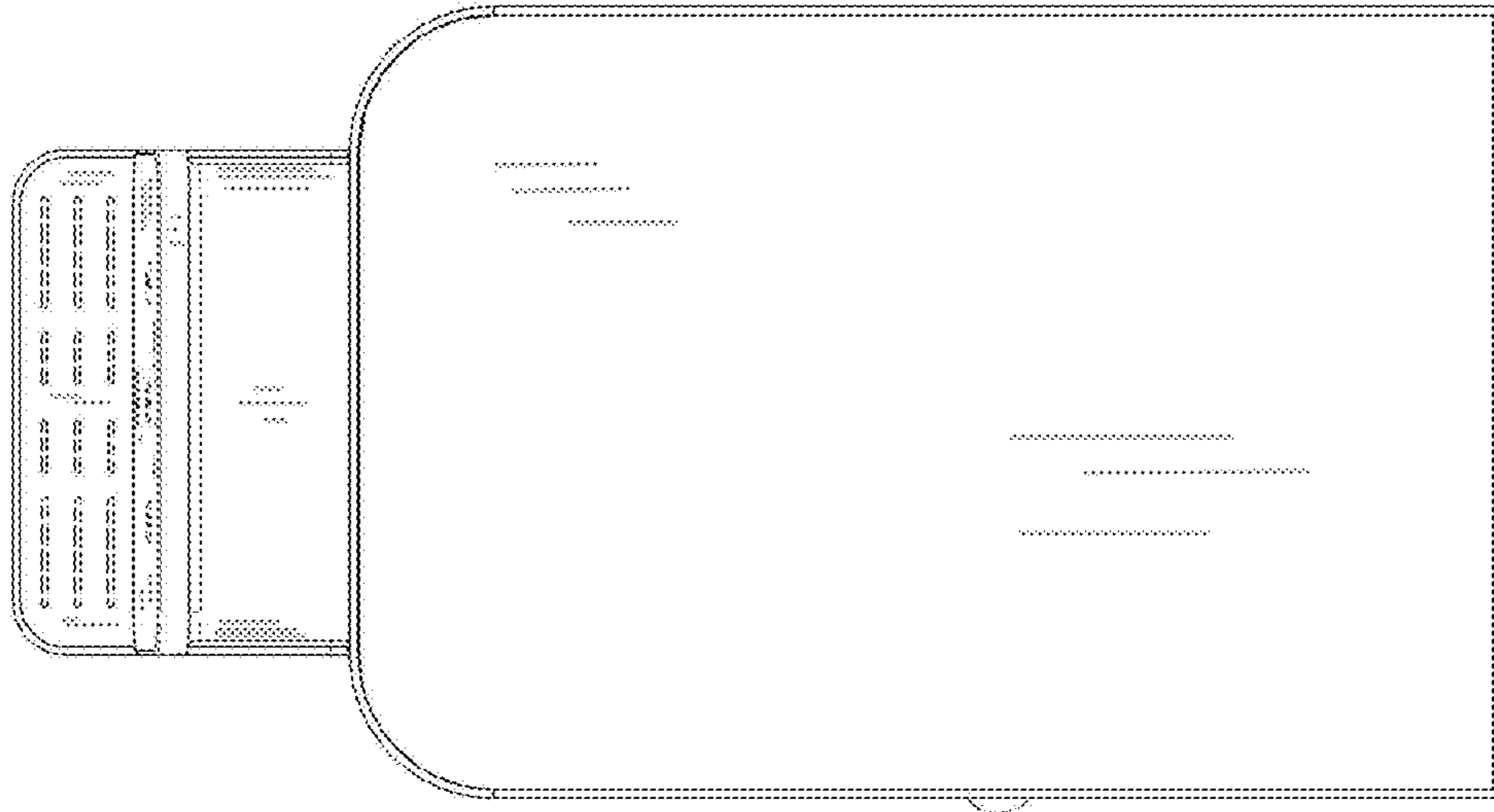


FIG. 5