



US00D939872S

(12) **United States Design Patent**
Prince

(10) **Patent No.:** **US D939,872 S**

(45) **Date of Patent:** **** Jan. 4, 2022**

- (54) **STAND FOR PAINT BRUSHES**
- (71) Applicant: **Travis Jabrail Prince**, Wilkes Barre, PA (US)
- (72) Inventor: **Travis Jabrail Prince**, Wilkes Barre, PA (US)
- (**) Term: **15 Years**
- (21) Appl. No.: **29/746,679**
- (22) Filed: **Aug. 16, 2020**
- (51) **LOC (13) Cl.** **06-06**
- (52) **U.S. Cl.**
USPC **D6/682.4**; D19/107
- (58) **Field of Classification Search**
USPC D4/199; D9/737, 756; D19/102, 107;
D6/672, 675, 675.1, 682, 682.1, 682.2,
D6/682.3, 682.4
CPC B44D 3/12; B44D 3/123; B44D 1/125;
A47F 5/00; A47F 5/0081; A47F 7/00;
A47F 7/0021; A47F 7/0028; A47G 29/08;
A47G 17/02; A46B 17/00; A46B 17/08
See application file for complete search history.

D256,976 S *	9/1980	Webster	206/564
D301,189 S *	5/1989	Wallace	D6/407
D315,868 S *	4/1991	Gelardi	D9/456
D322,885 S *	1/1992	Chedid	D6/629
D326,409 S *	5/1992	Krueger	D9/424
D336,182 S *	6/1993	Machut	D6/310
D354,413 S *	1/1995	Sedon	D6/407
D356,921 S *	4/1995	Wolff	D6/407
5,474,178 A *	12/1995	DiViesti	H01R 43/00 206/564
D445,287 S *	7/2001	Kujala	D6/629

* cited by examiner

Primary Examiner — Kelley A Donnelly

(74) *Attorney, Agent, or Firm* — Barry Choobin; Patent 360

(57) **CLAIM**

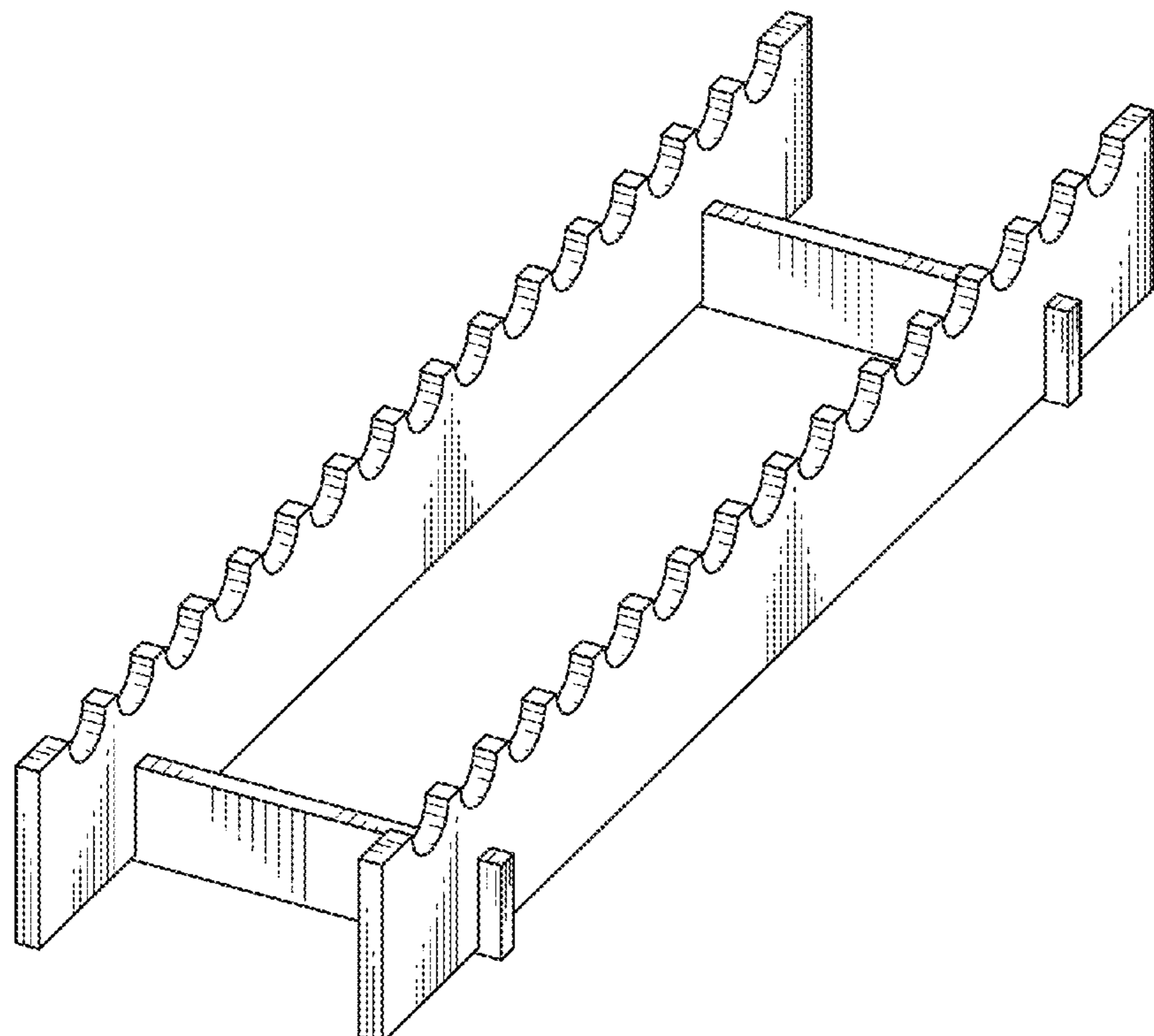
The ornamental design for a stand for paint brushes, as shown and described.

DESCRIPTION

FIG. 1 is a perspective view of a stand for paint brushes, showing my new design;
 FIG. 2 is a top view thereof;
 FIG. 3 is a bottom view thereof;
 FIG. 4 is a right-side view thereof;
 FIG. 5 is a left-side view thereof;
 FIG. 6 is a front view thereof;
 FIG. 7 is a rear view thereof;
 FIG. 8 is a cross-sectional view of FIG. 2 along lines 8-8;
 and,
 FIG. 9 is a cross-sectional view of FIG. 2 along lines 9-9.

1 Claim, 5 Drawing Sheets

- (56) **References Cited**
U.S. PATENT DOCUMENTS
2,249,851 A * 7/1941 Pilliod A47F 7/03
206/745
D152,389 S * 1/1949 Bennett D6/682.4
D161,138 S * 12/1950 Shapiro D6/682.4
D213,737 S * 4/1969 Kohles D19/90



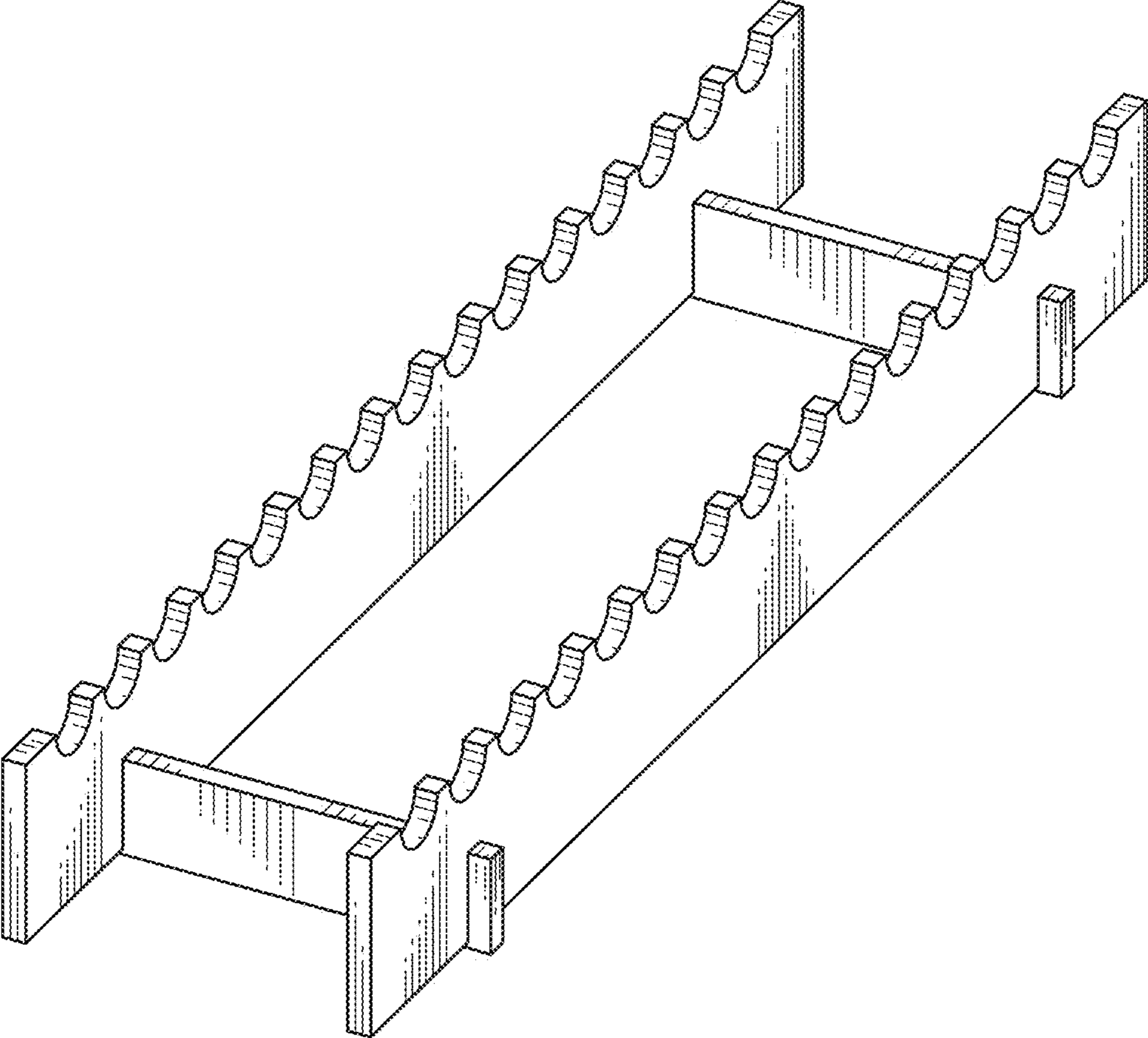


FIG. 1

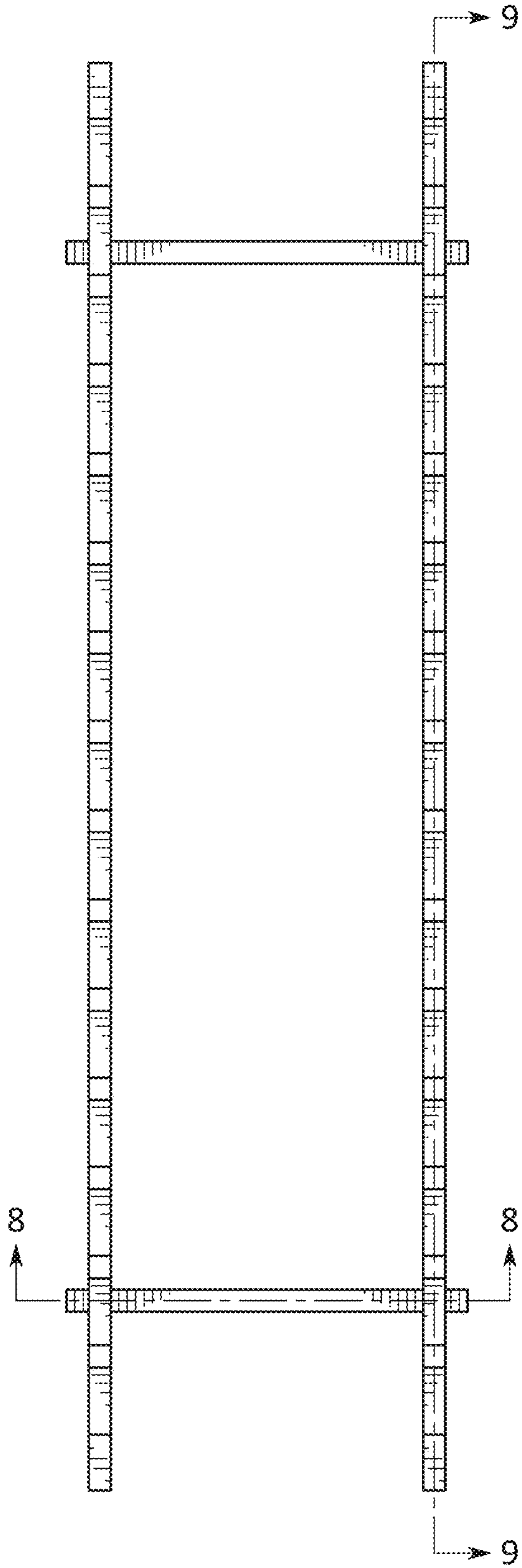


FIG. 2

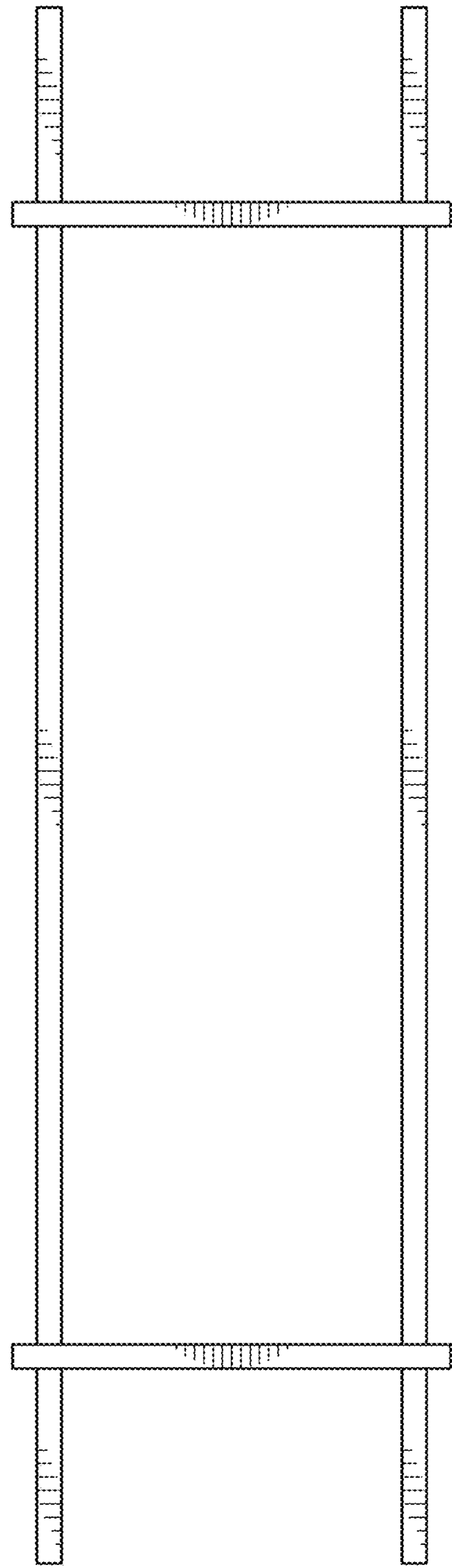


FIG. 3

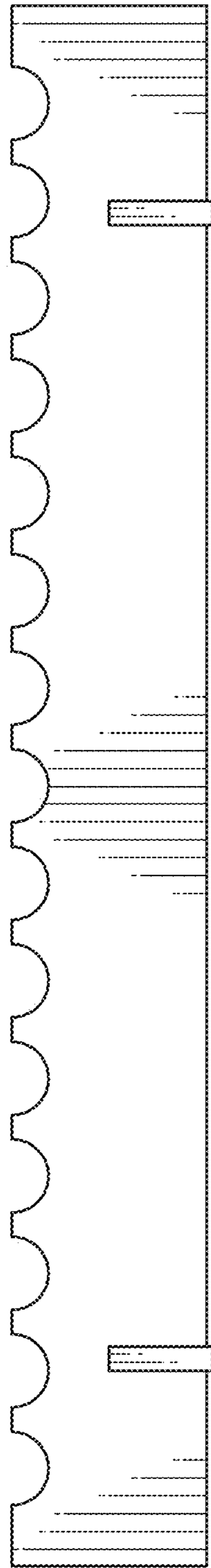


FIG. 4

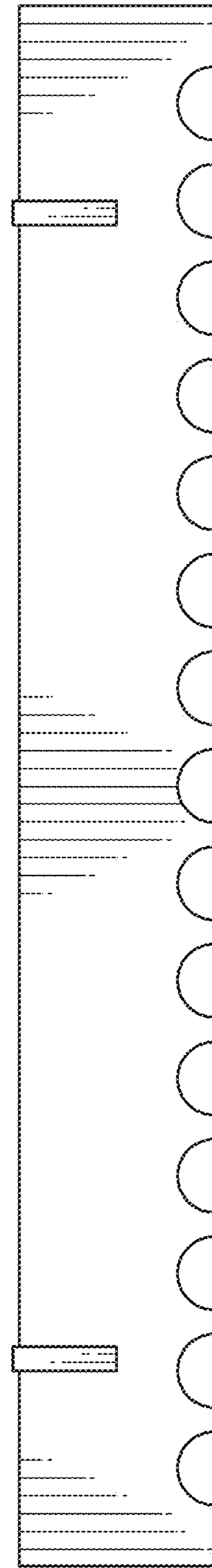


FIG. 5

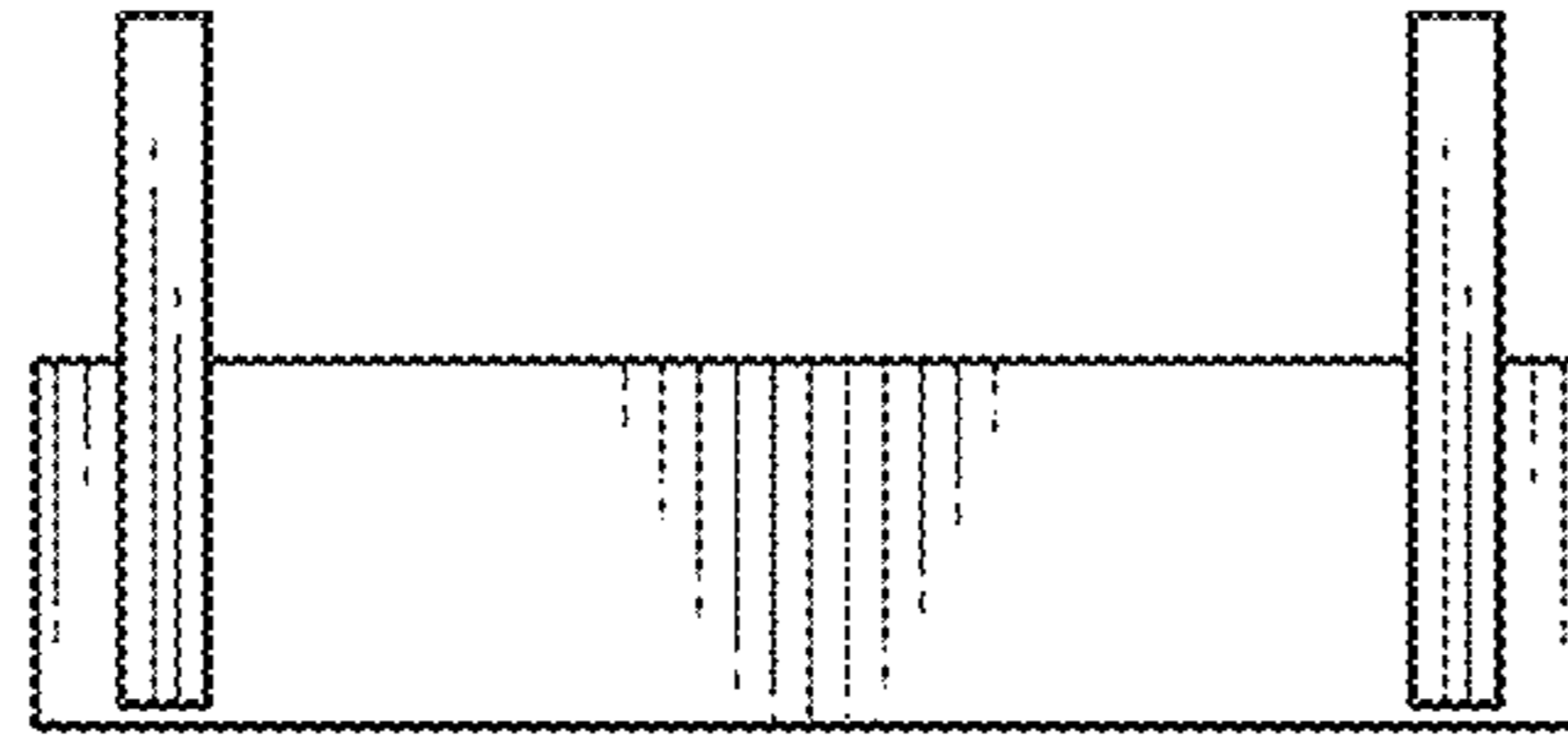


FIG. 6

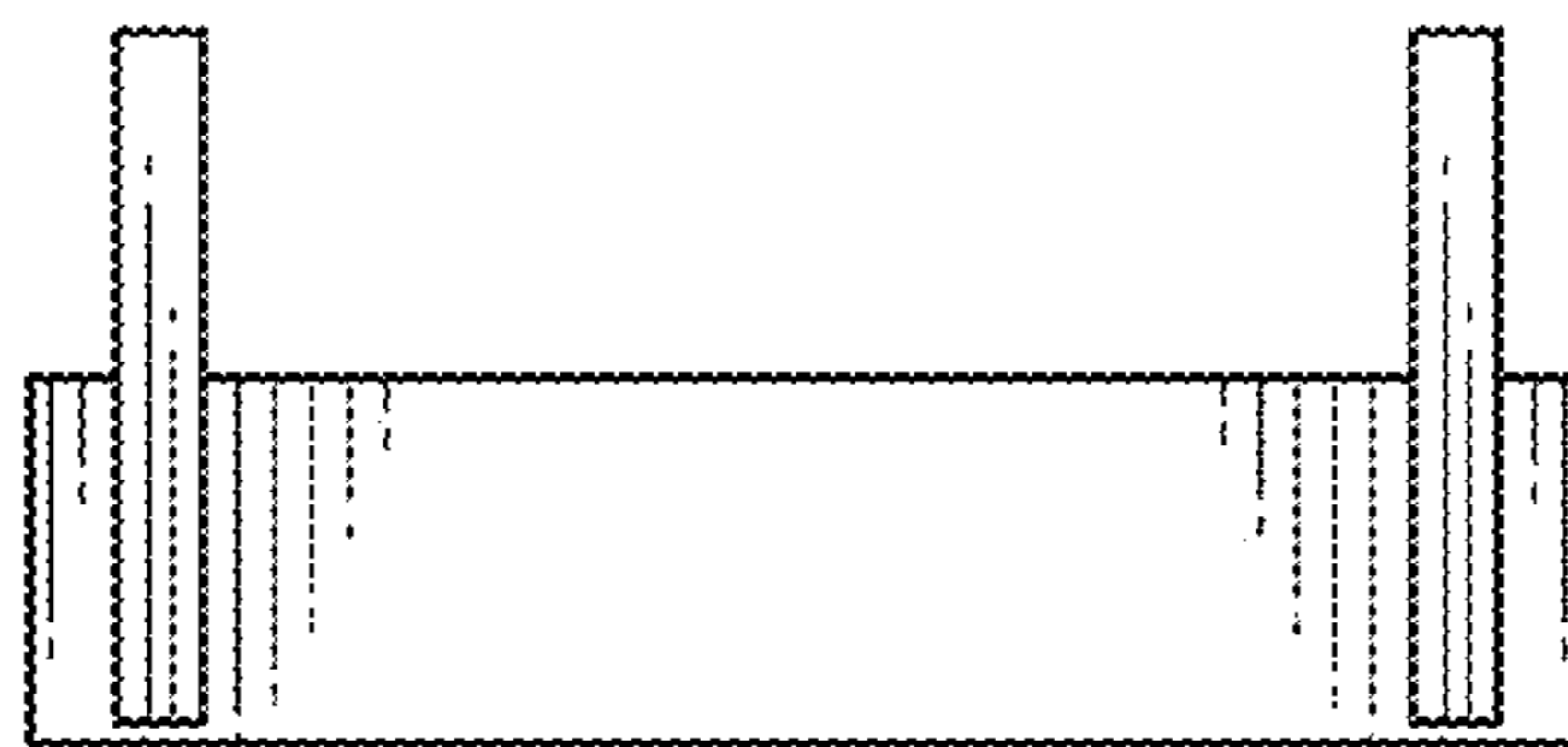


FIG. 7

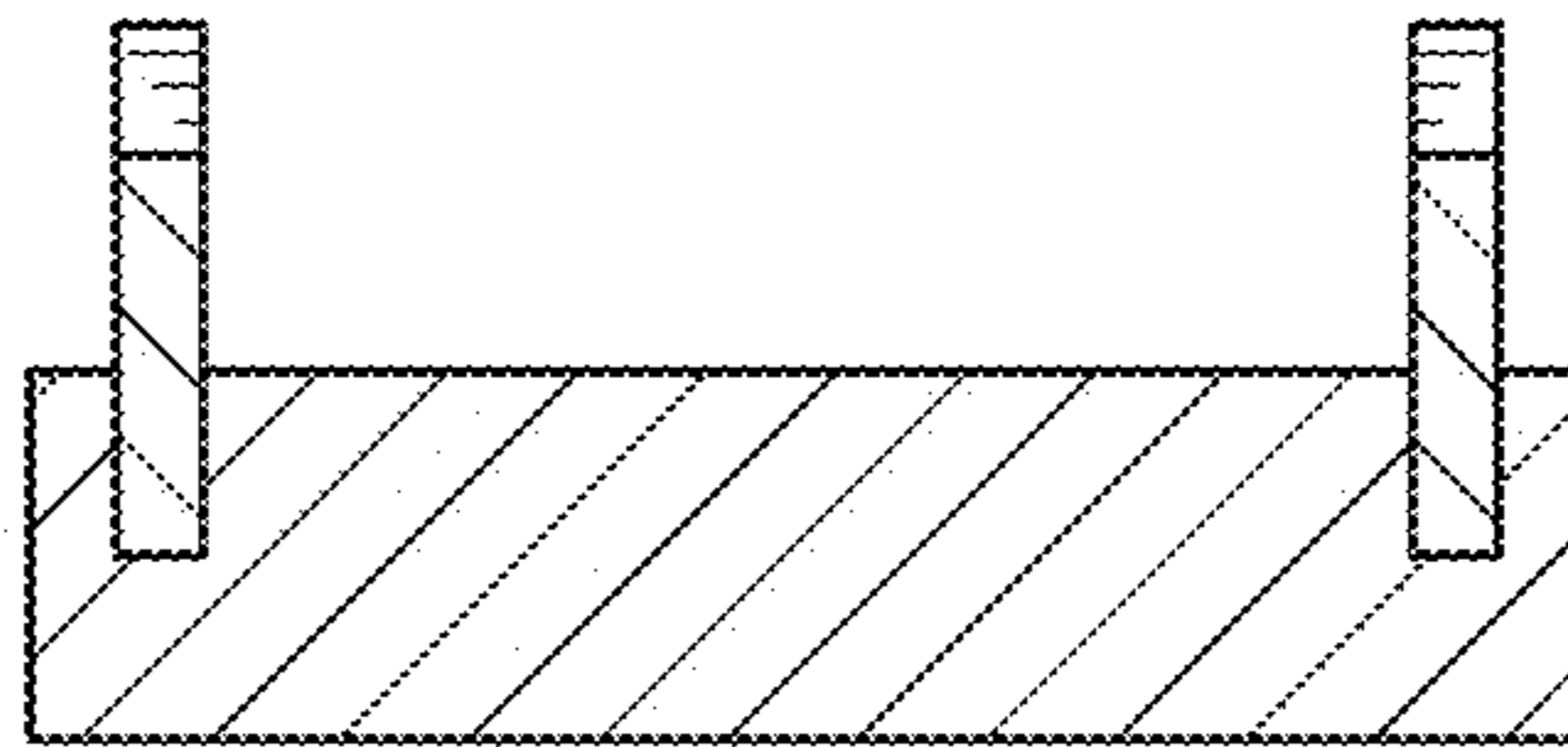


FIG. 8

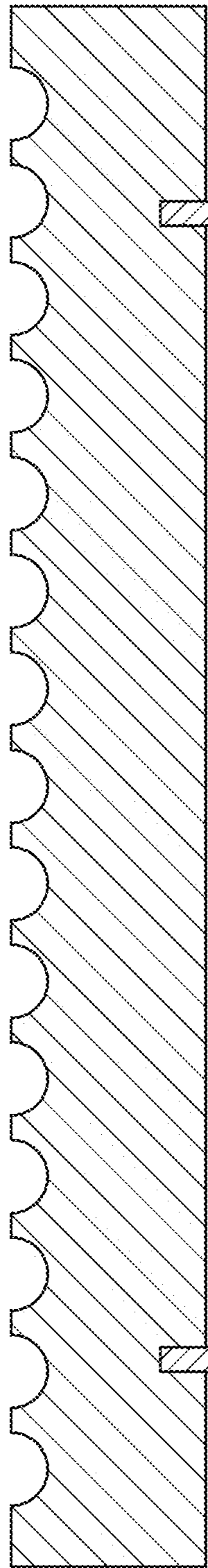


FIG. 9