

US00D939871S

(12) **United States Design Patent**  
**Mandel**

(10) **Patent No.:** **US D939,871 S**  
(45) **Date of Patent:** **\*\* Jan. 4, 2022**

- (54) **BARWARE CART**
- (71) Applicant: **Hershel Mandel**, Highland Mills, NY (US)
- (72) Inventor: **Hershel Mandel**, Highland Mills, NY (US)
- (73) Assignee: **GODINGER SILVER ART LTD.**, Ridgewood, NY (US)
- (\*\*) Term: **15 Years**
- (21) Appl. No.: **29/756,799**
- (22) Filed: **Oct. 30, 2020**

D285,853 S	9/1986	Hubert	
D288,637 S *	3/1987	Winzeler, III	D34/21
D291,266 S *	8/1987	Lin	D6/677.1
5,108,120 A *	4/1992	Jarmusz	B62B 3/006 211/126.7
D344,382 S	2/1994	Conaway	
D354,186 S	1/1995	Grosfillex	
D405,580 S *	2/1999	Vanderminde	D34/24
5,876,050 A *	3/1999	Berger	B62B 3/006 280/79.2
6,502,705 B1	1/2003	Ziegler	
6,572,123 B2	6/2003	Calmeise	
7,204,509 B1 *	4/2007	Vanderminde	A47B 31/00 280/47.12
D541,604 S	5/2007	Goodman et al.	
D557,520 S	12/2007	Samtani	
D602,314 S	10/2009	Stravitz	

(Continued)

**Related U.S. Application Data**

- (62) Division of application No. 29/648,883, filed on May 24, 2018, now Pat. No. Des. 904,087.
- (51) **LOC (13) Cl.** ..... **06-06**
- (52) **U.S. Cl.**  
USPC ..... **D6/682.2**; D34/17
- (58) **Field of Classification Search**  
USPC ..... D7/509-513, 550.1, 543, 602, 701, 704,  
D7/500, 300, 334, 337; D6/682, 682.1,  
D6/682.2; D34/12, 14, 17, 21, 27  
CPC ..... A47G 23/02; A47G 23/0241; B62B 3/10;  
B62B 1/00; B62B 2202/67; B62B 3/104;  
B62B 5/0083  
See application file for complete search history.

**References Cited**

**U.S. PATENT DOCUMENTS**

D174,193 S	3/1955	Pinkus	
2,844,257 A *	7/1958	Friedman	A47B 31/04 108/12
2,886,186 A	5/1959	Hamilton	
D222,633 S *	11/1971	Carter et al.	D34/21
D250,409 S	11/1978	Quapp	

**OTHER PUBLICATIONS**

Forbes Industries, "Birdcage® Elite Luggage Cart," Sep. 1, 2020, 6 pages.  
(Continued)

*Primary Examiner* — Kelley A Donnelly  
(74) *Attorney, Agent, or Firm* — Cozen O'Connor

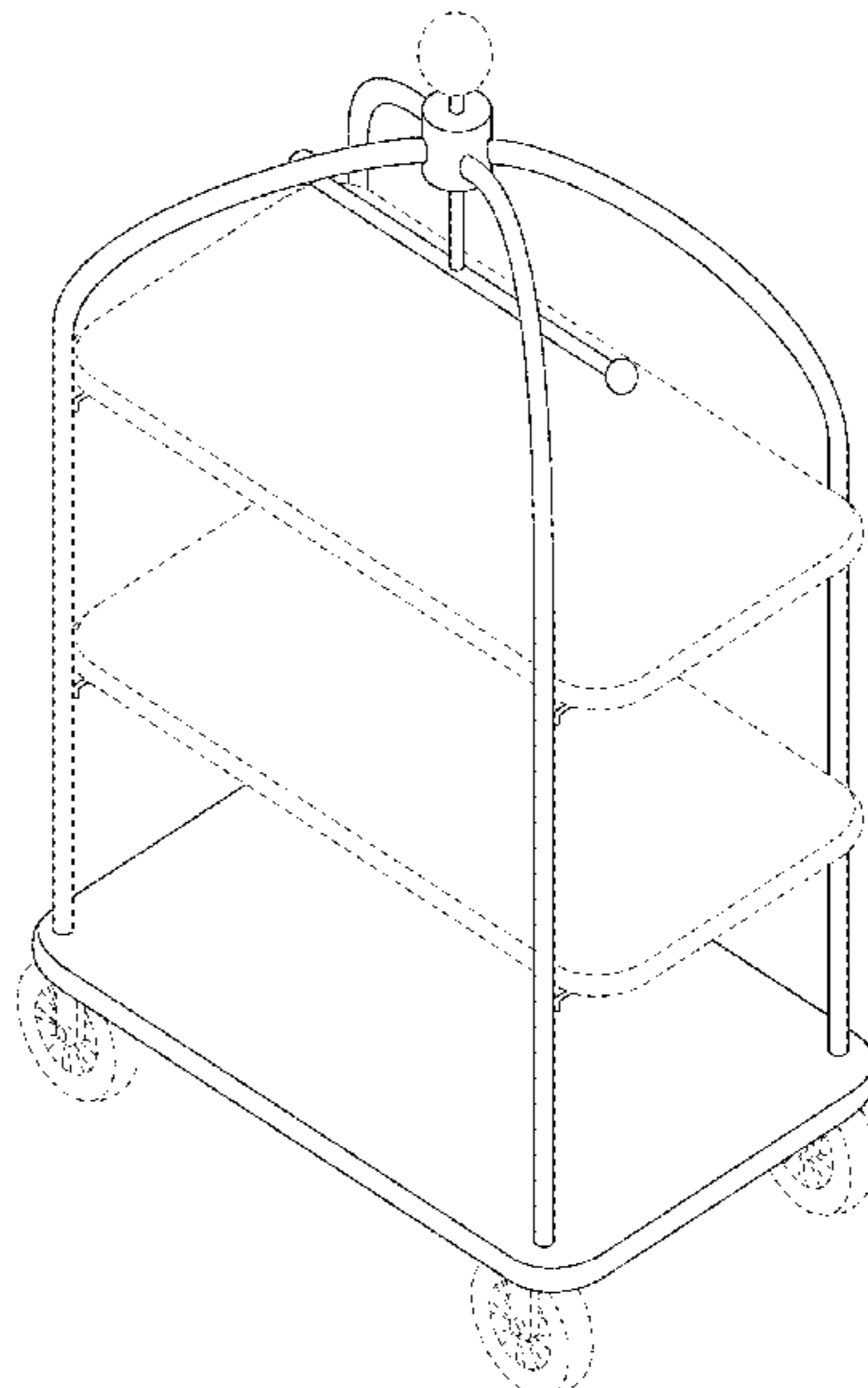
**CLAIM**

(57) The ornamental design for a barware cart, as shown and described.

**DESCRIPTION**

FIG. 1 is a perspective view of a barware cart according to a second embodiment;  
FIG. 2 is a front view thereof;  
FIG. 3 is a side view thereof;  
FIG. 4 is a top view thereof; and,  
FIG. 5 is a bottom view thereof.  
The features shown in phantom do not make up part of the claimed designs.

**1 Claim, 5 Drawing Sheets**



(56)

**References Cited**

U.S. PATENT DOCUMENTS

D616,271 S 5/2010 Goodman  
D620,120 S 7/2010 Lambalot  
D635,405 S 4/2011 Tiemann  
D690,171 S 9/2013 Goodman  
D747,837 S \* 1/2016 Chang ..... D34/21  
D780,397 S \* 2/2017 Nicoll ..... D34/21  
9,840,265 B1 \* 12/2017 Thuma ..... B62B 3/186  
D903,966 S \* 12/2020 Li ..... D34/14  
D904,087 S 12/2020 Mandel  
D904,714 S \* 12/2020 Franks ..... D34/12  
2003/0205875 A1 \* 11/2003 Ondrasik ..... B62B 3/1476  
280/47.34  
2008/0265538 A1 \* 10/2008 Hailston ..... B62B 3/022  
280/47.34  
2014/0084036 A1 3/2014 Hemann  
2020/0401133 A1 \* 12/2020 Armbrust ..... B60W 60/0053

OTHER PUBLICATIONS

Office Action dated Jul. 7, 2021 issued in U.S. Appl. No. 29/756,809.

\* cited by examiner

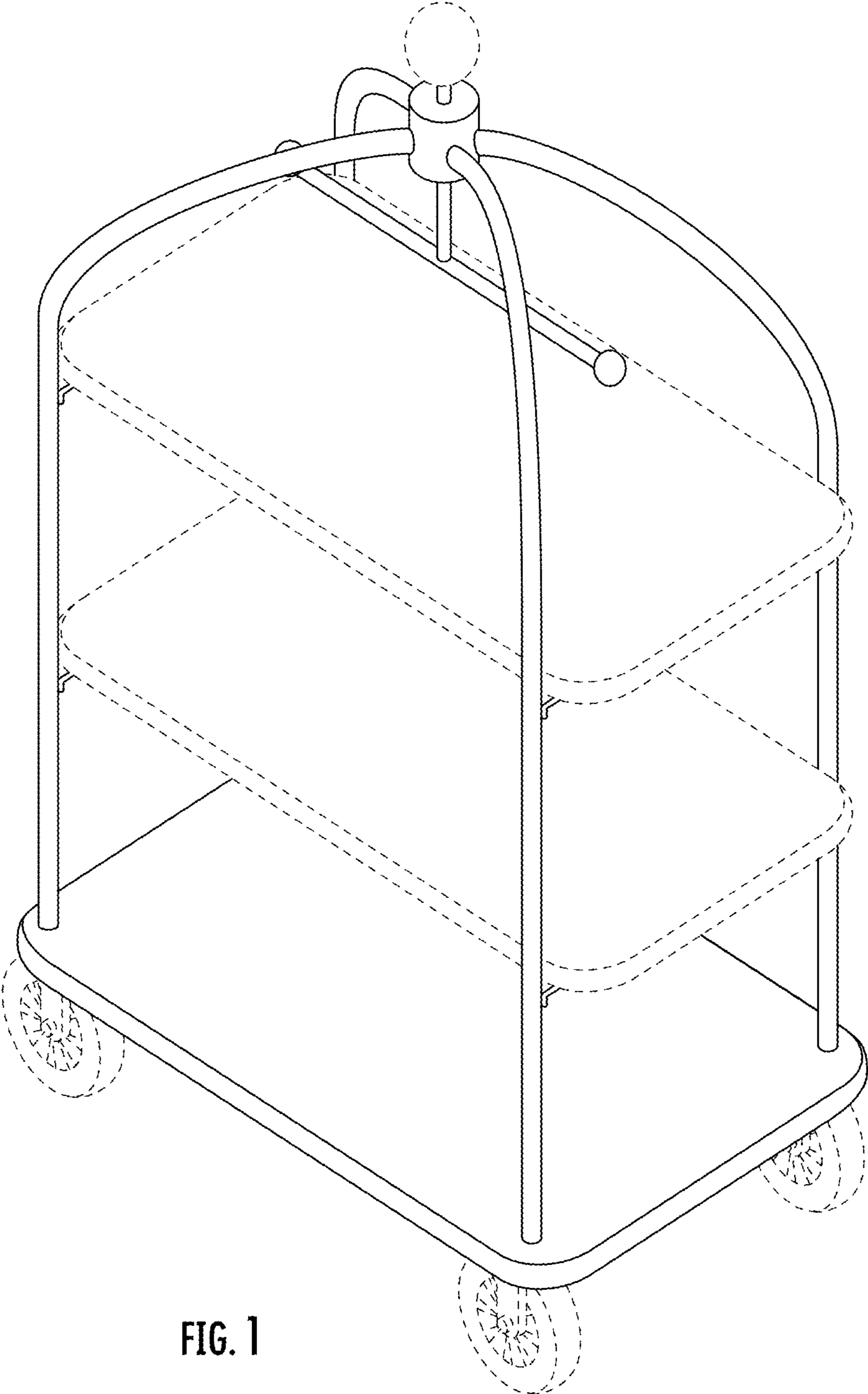


FIG. 1

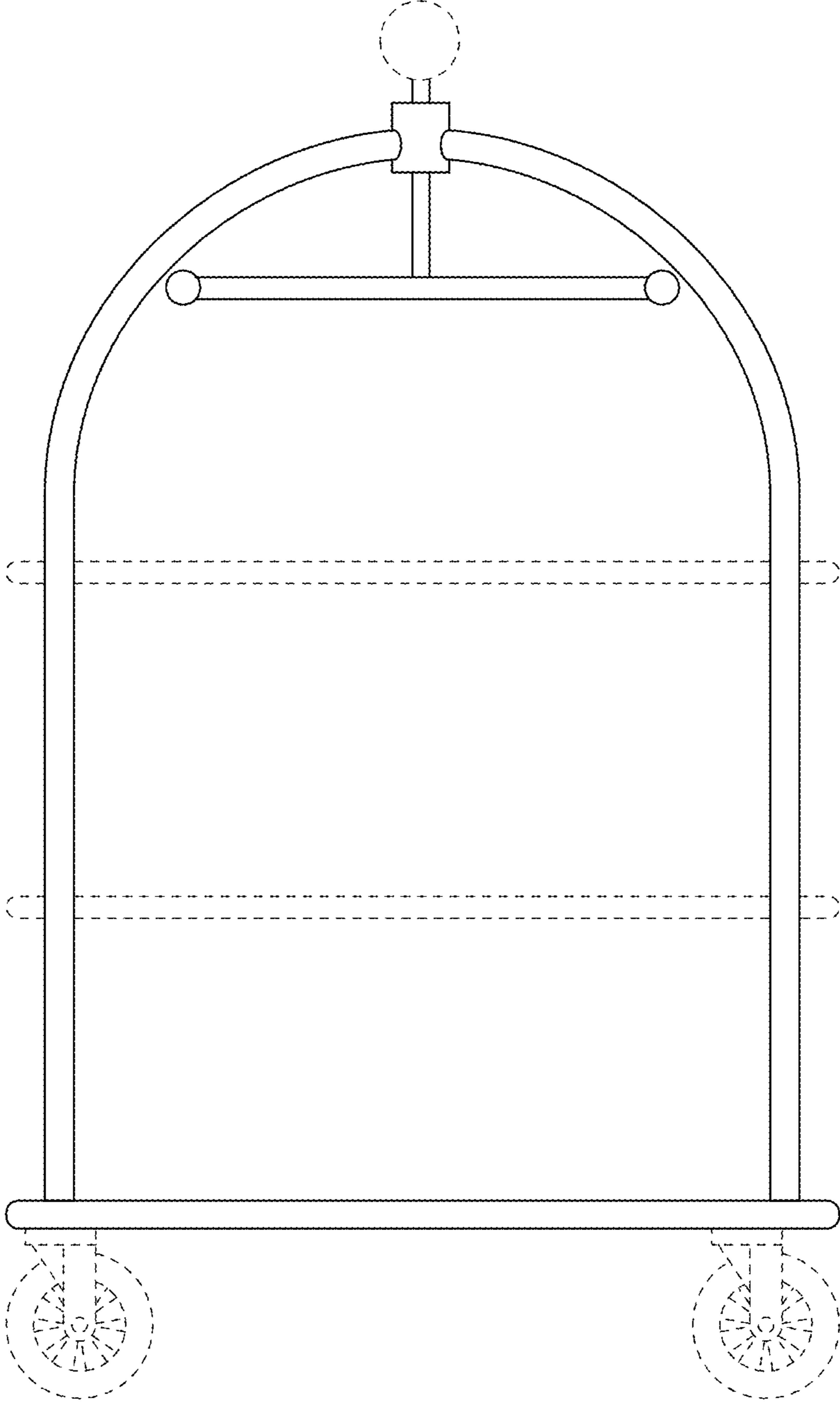


FIG. 2

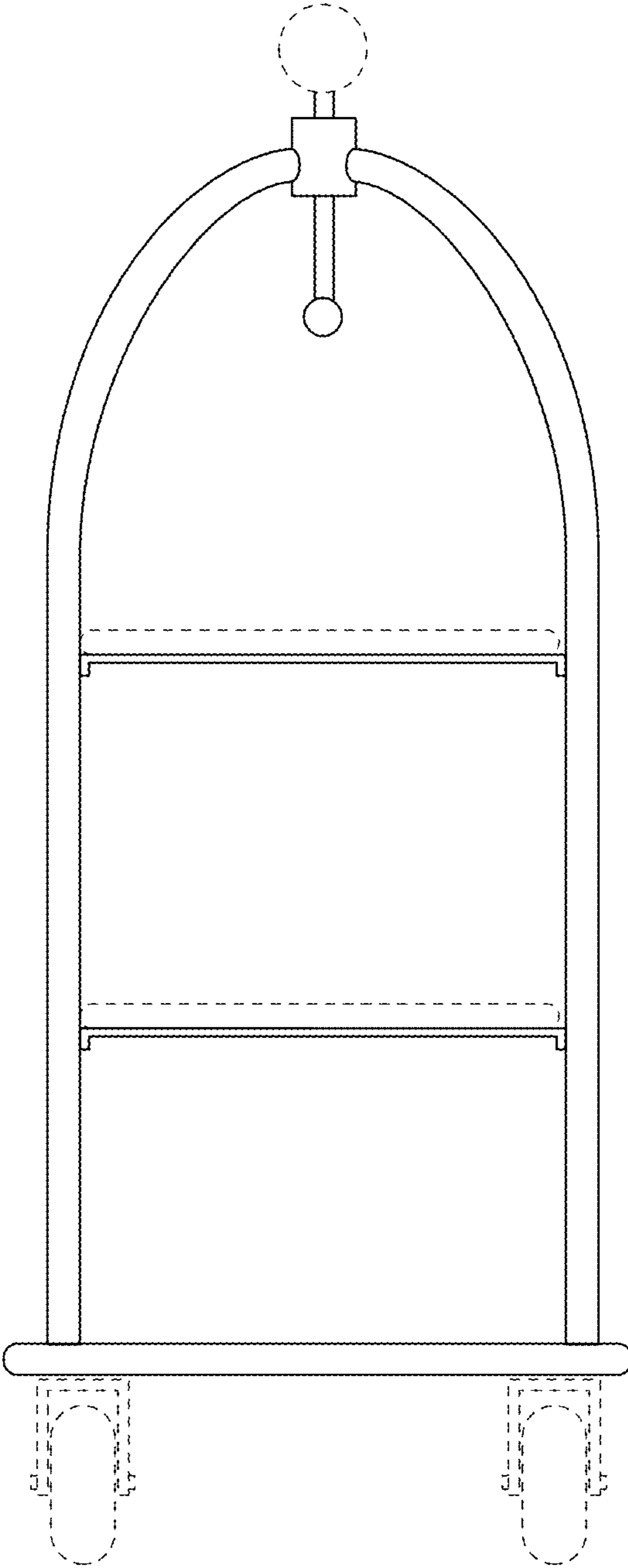


FIG. 3

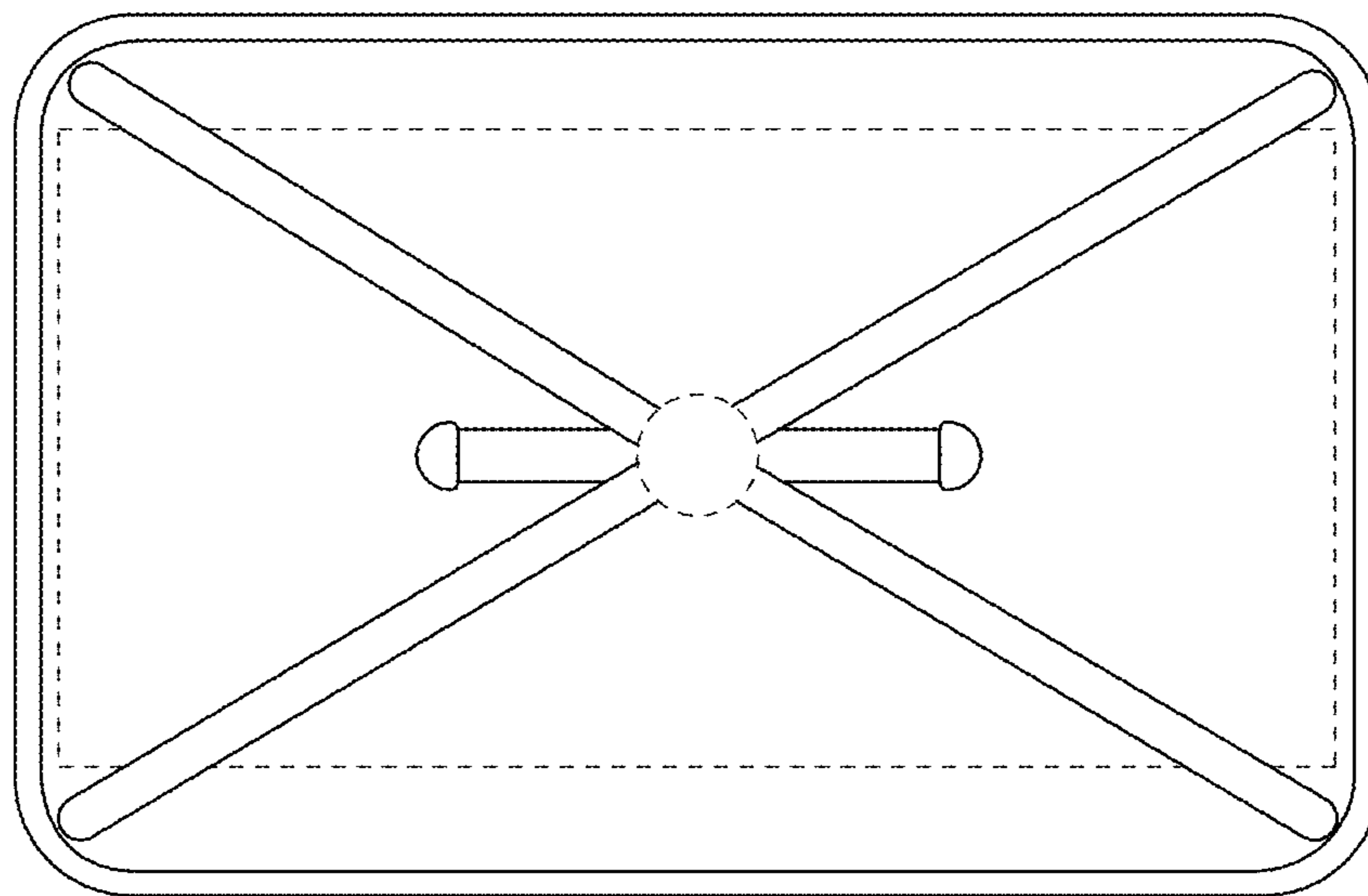


FIG. 4

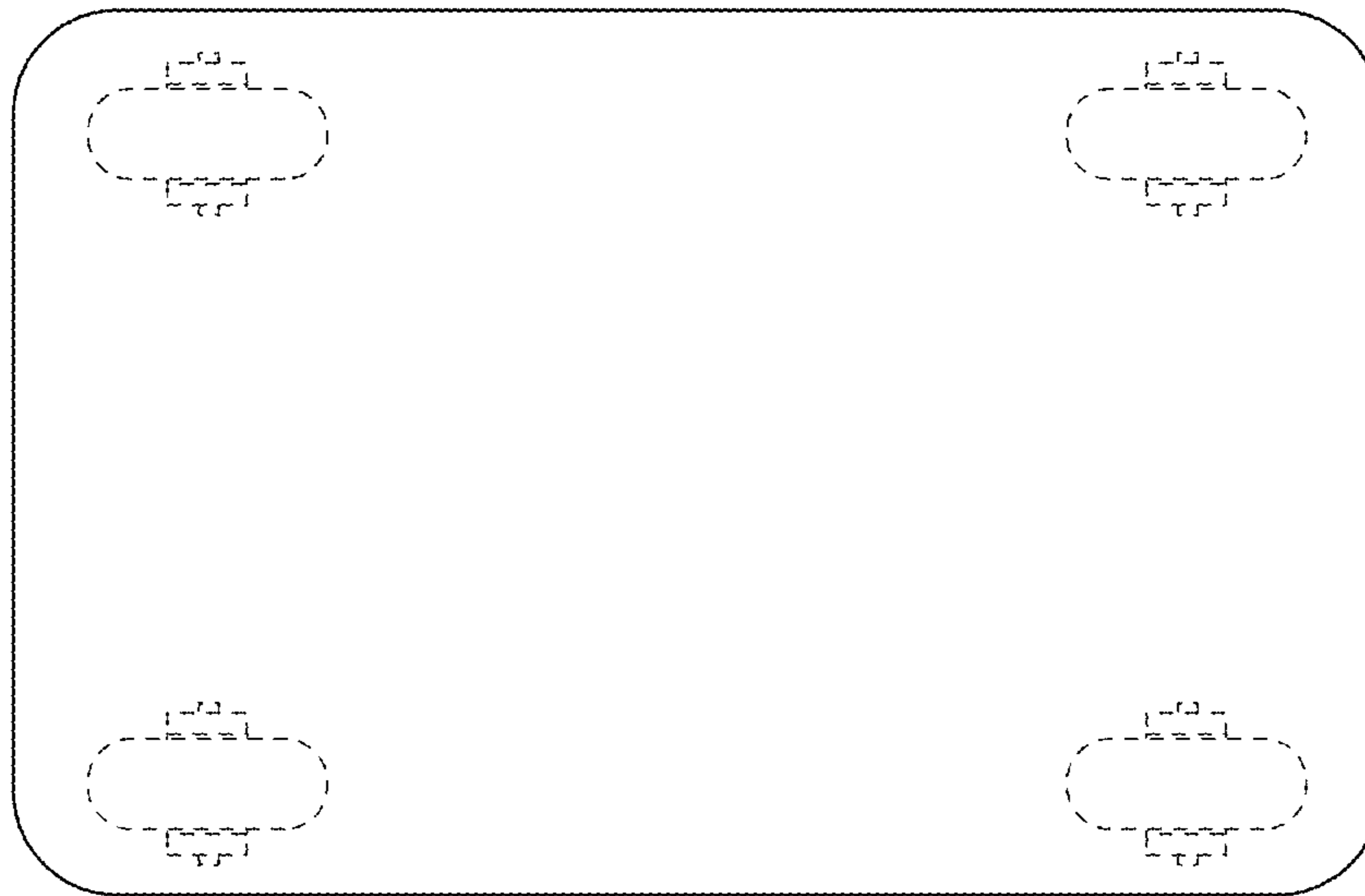


FIG. 5