



US00D939870S

(12) **United States Design Patent** (10) **Patent No.:** **US D939,870 S**
Yang et al. (45) **Date of Patent:** **** Jan. 4, 2022**

(54) **DISPLAY STAND FOR GOODS**

(56) **References Cited**

(71) Applicant: **Keycraft Ltd**, Peterhead (GB)

U.S. PATENT DOCUMENTS

(72) Inventors: **Xuchao Yang**, GuangDong (CN);
Ramune Tolonyte, Peterhead (GB);
Murray Smith, Peterhead (GB); **Doug Cowie**, Peterhead (GB); **Darren James**, Peterhead (GB)

D194,415 S * 1/1963 Barroero D6/680.2
D201,331 S * 6/1965 Ulmann D6/680.2
D259,082 S * 5/1981 Corelli D6/680
D262,274 S * 12/1981 Lahr 47/82
D307,988 S * 5/1990 Newfield D6/674
D314,294 S * 2/1991 Axhamre D6/677.2
D322,522 S * 12/1991 Ferris D6/405
D328,205 S * 7/1992 Callon D6/677.4
D411,697 S * 6/1999 Hannecke A47F 7/144
D527,205 S * 8/2006 Axhamre D6/681.3
D6/677.2

(73) Assignee: **Keycraft Ltd.**, Peterhead (GB)

(**) Term: **15 Years**

(Continued)

(21) Appl. No.: **35/510,591**

(22) Filed: **Jul. 27, 2020**

OTHER PUBLICATIONS

(80) **Hague Agreement Data**

Int. Filing Date: **Jul. 27, 2020**
Int. Reg. No.: **DM/210604**
Int. Reg. Date: **Jul. 27, 2020**
Int. Reg. Pub. Date: **Oct. 16, 2020**

Display, posted at keycraftau.com, posted on Oct. 30, 2020, site visited Aug. 25, 2021. online, available from internet: <https://web.archive.org/web/20201030191028/https://www.keycraftau.com.au/pages/display-solutions> (Year: 2020).*

(51) **LOC (13) Cl.** **20-02**

(52) **U.S. Cl.**
USPC **D6/680.2**; D20/19; D20/21

Primary Examiner — Mary Ann Calabrese
Assistant Examiner — Catherine Ho

(58) **Field of Classification Search**
USPC D6/512, 513, 524, 527, 528, 535, 536,
D6/542, 550, 551, 553, 663, 664, 672,
D6/673, 674, 675, 675.1, 675.2, 680,
D6/680.1, 680.2, 680.3, 681, 681.1,
D6/681.2, 681.3, 682, 682.6, 683, 683.1,
D6/696, 696.3, 697.1, 707.22, 697, 715,
D6/715.1, 715.2, 717, 717.1, 717.2;
D20/10, 19, 21

(74) *Attorney, Agent, or Firm* — Downs Rachlin Martin PLLC

CPC B05B 11/3047; A47F 7/0035; A47F 5/01;
A47F 1/087; A47F 5/083; A47F 5/02;
A47F 5/0018; A47F 5/10; A47F 5/0093;
A47F 5/0876; A47F 7/022; Y10T
29/49826; A47D 1/002; A47D 1/103;
A47B 13/088; A47B 87/002; A47B
3/002; A47B 87/02; A47B 47/06; A47B
47/05; A47B 47/045; G02B 25/002

(57) **CLAIM**

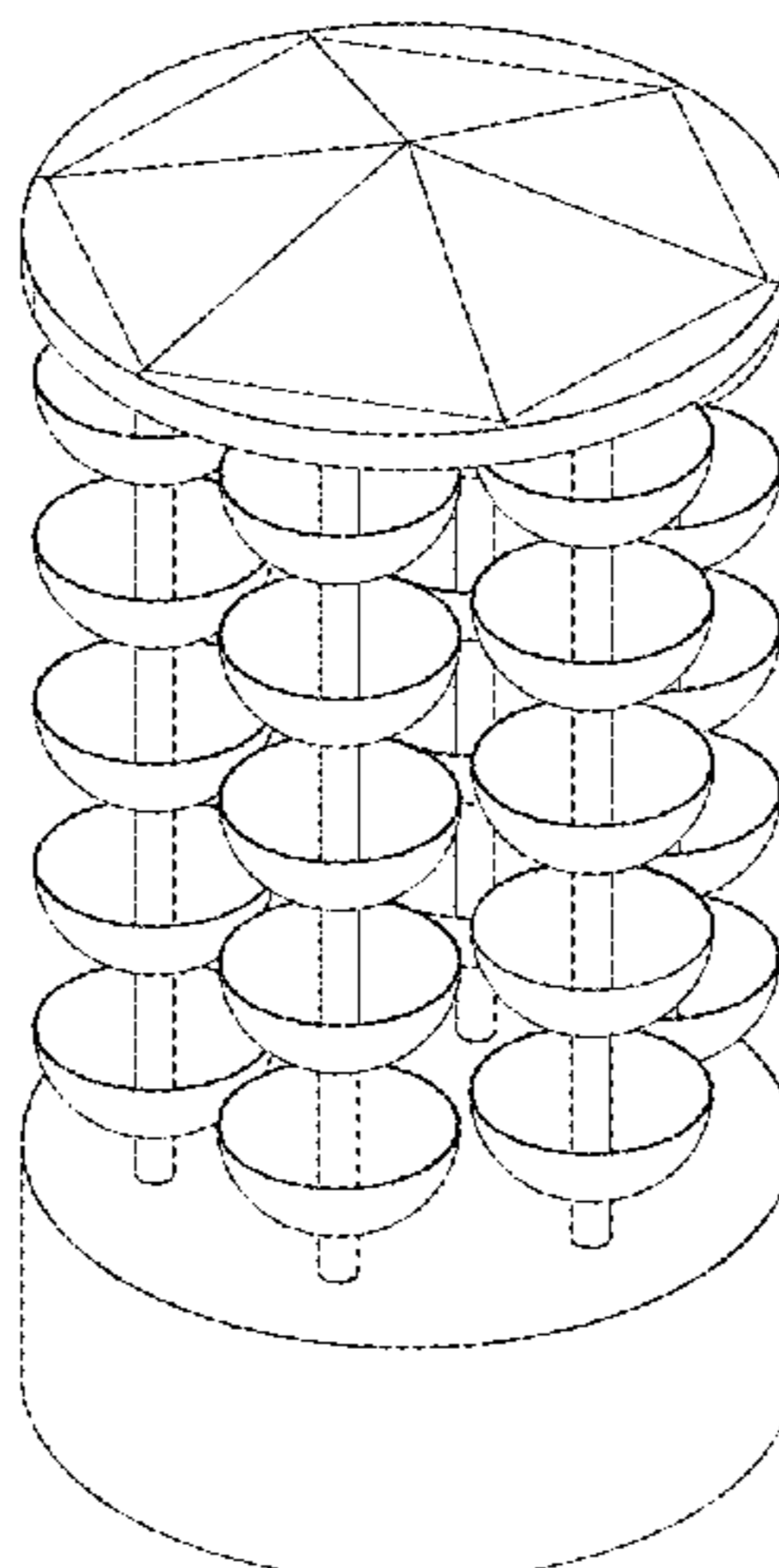
The ornamental design for a display stand for goods, as shown and described.

DESCRIPTION

1. Display stand for goods
- 1.1 : Perspective
- 1.2 : Front
- 1.3 : Back
- 1.4 : Left
- 1.5 : Right
- 1.6 : Top
- 1.7 : Bottom

See application file for complete search history.

1 Claim, 7 Drawing Sheets



(56)

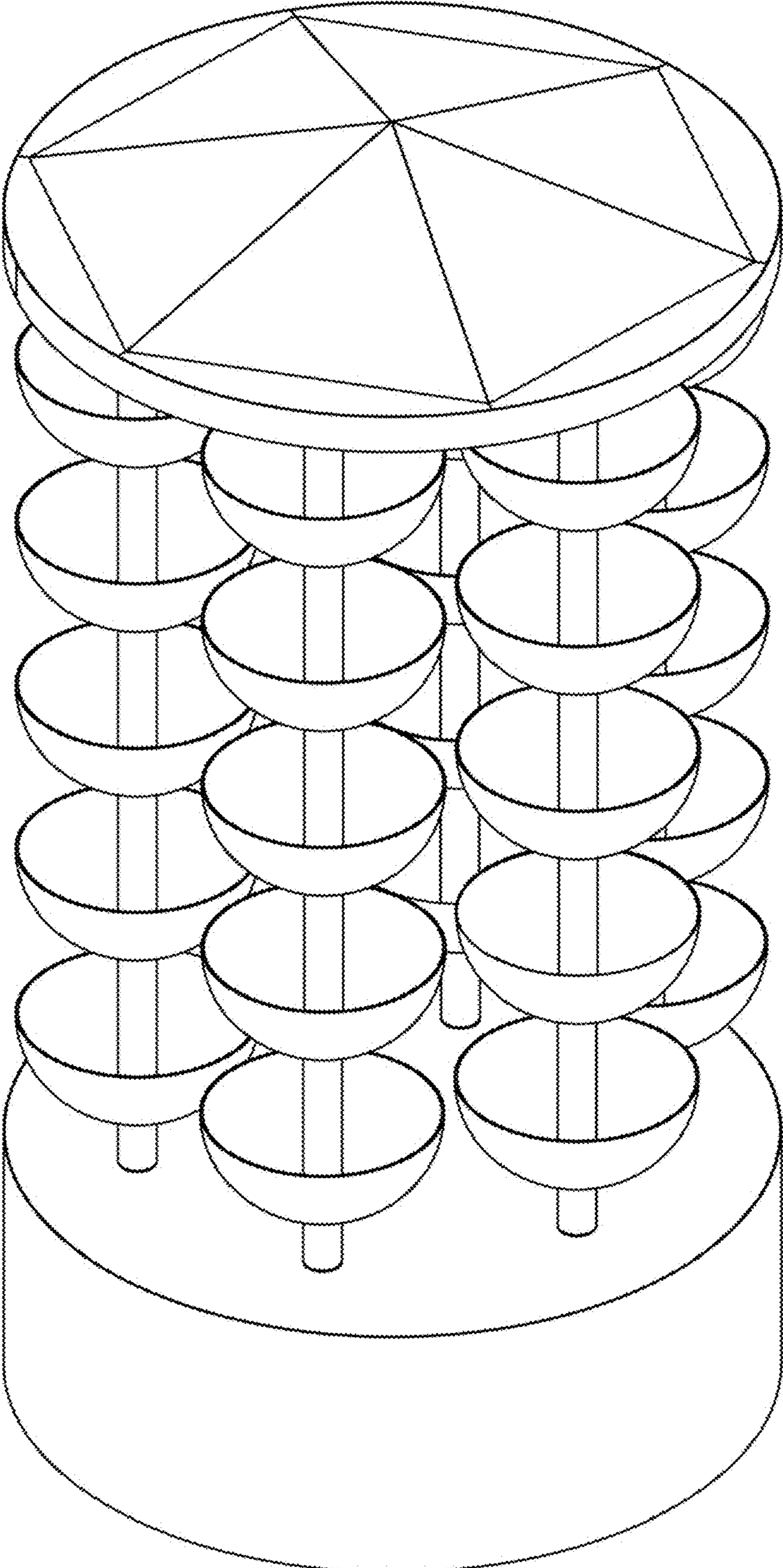
References Cited

U.S. PATENT DOCUMENTS

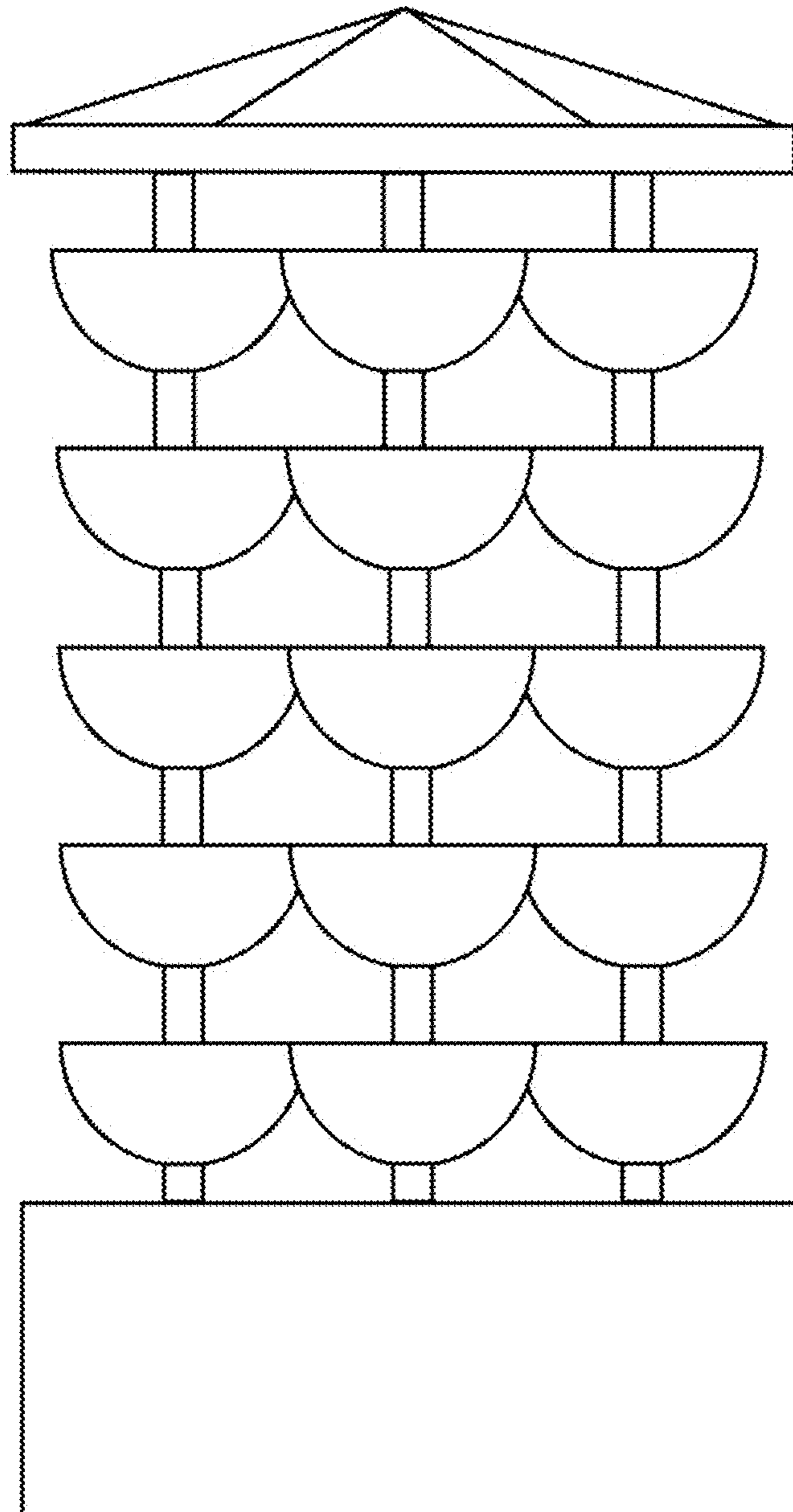
D616,671 S * 6/2010 Biraghi D6/680.2
D617,579 S * 6/2010 Biraghi D6/680
D873,622 S * 1/2020 Liang D7/600.4

* cited by examiner

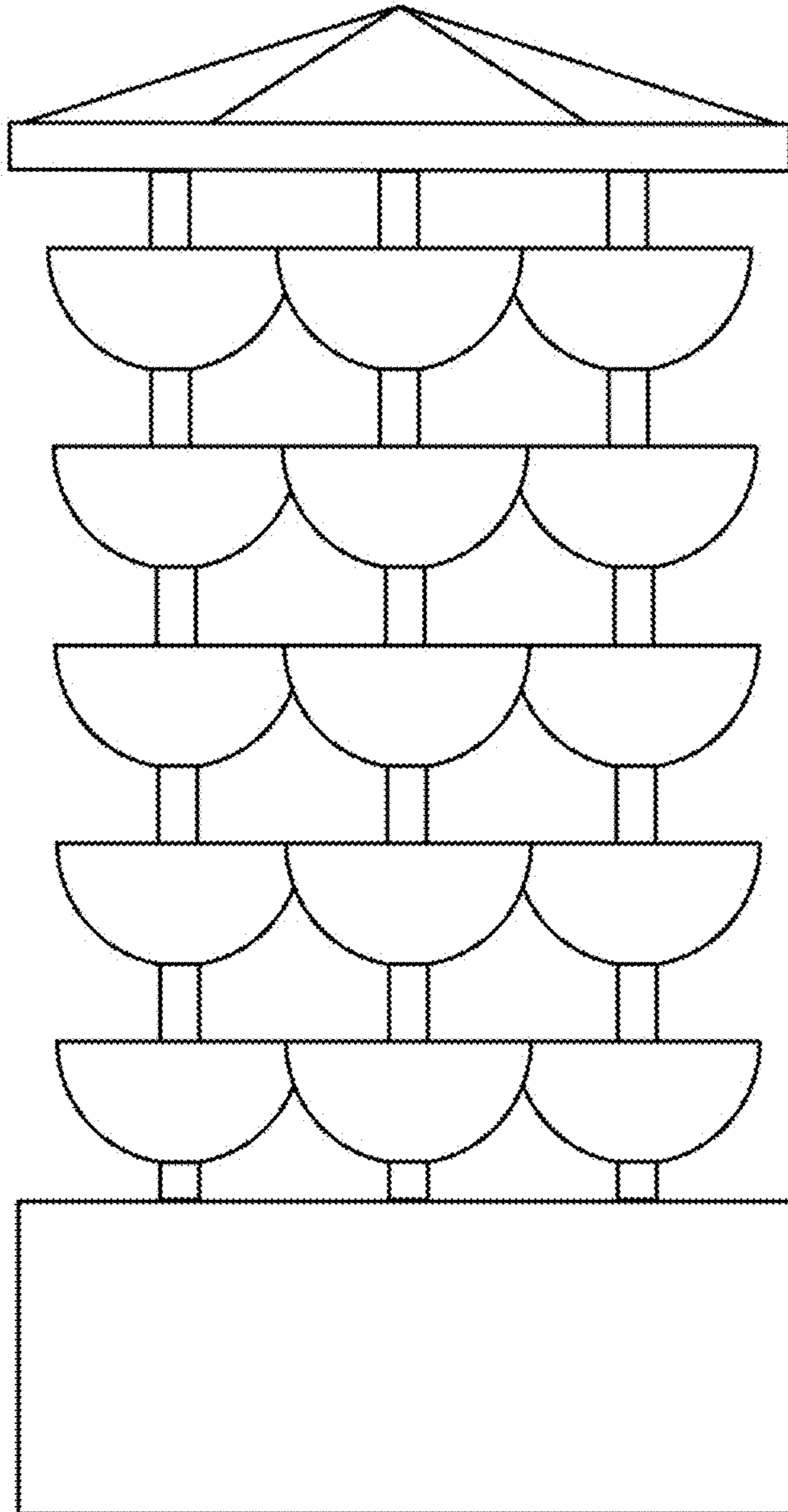
1.1



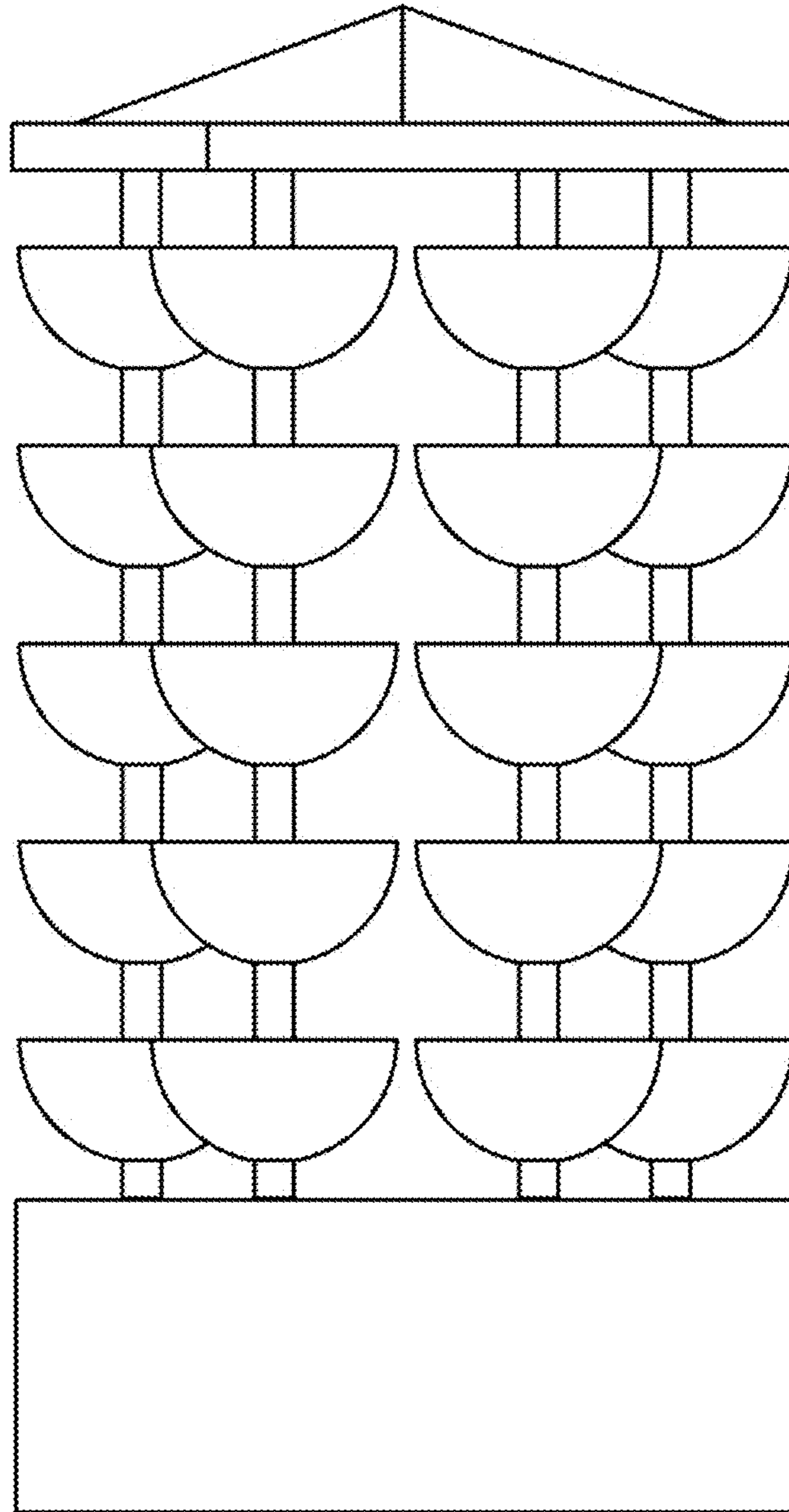
1.2



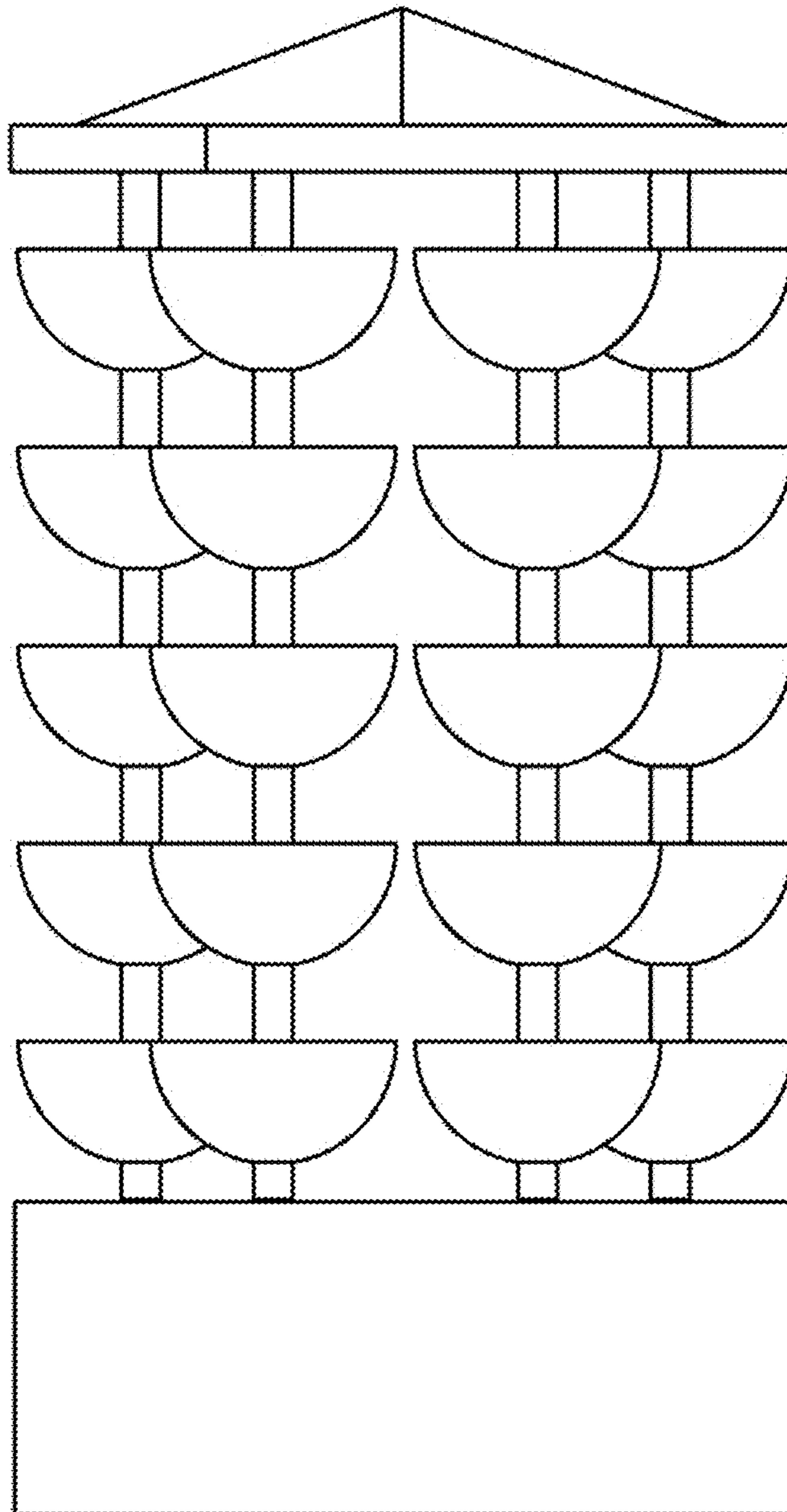
1.3



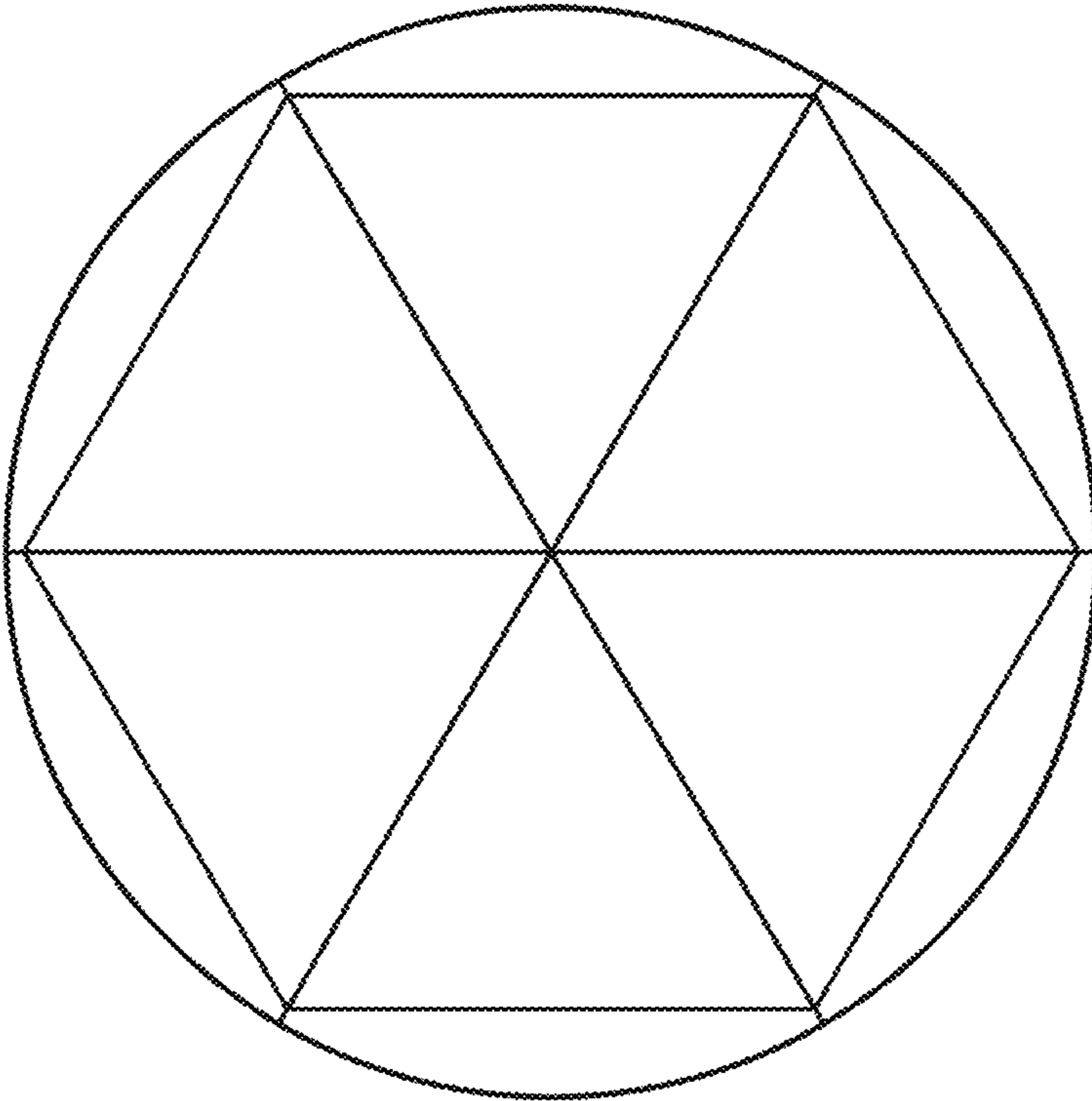
1.4



1.5



1.6



1.7

