



US00D939869S

(12) **United States Design Patent** (10) **Patent No.:** **US D939,869 S**
Rossi (45) **Date of Patent:** **** Jan. 4, 2022**

(54) **BEDSIDE TABLE**
(71) Applicant: **TOMASELLA Industria Mobili Di
Tomasella Paolo & C S.A.S., Brugnera
(IT)**
(72) Inventor: **Paolo Rossi, Brugnera (IT)**
(73) Assignee: **TOMASELLA INDUSTRIA MOBILI
DI TOMASELLA PAOLO & C
S.A.S, Brugnera (IT)**

D501,736 S * 2/2005 Kirkpatrick D6/671.1
D554,893 S * 11/2007 Boerner D6/671.2
D605,423 S * 12/2009 Hamilton D6/671.1
D649,376 S * 11/2011 Borgonovo D6/671.1
D758,766 S * 6/2016 Kirar D6/668.2
D825,225 S * 8/2018 Massaud D6/666
D825,229 S * 8/2018 Massaud D6/675
D825,230 S * 8/2018 Massaud D6/675
D825,232 S * 8/2018 Massaud D6/675.1
D896,008 S * 9/2020 Xiao D6/671.1

(Continued)

(**) Term: **15 Years**
(21) Appl. No.: **29/708,440**
(22) Filed: **Oct. 7, 2019**

(30) **Foreign Application Priority Data**
Apr. 5, 2019 (EP) 006370425-0001
(51) **LOC (13) Cl.** **06-04**
(52) **U.S. Cl.**
USPC **D6/671.1**
(58) **Field of Classification Search**
USPC D6/641, 657, 663, 666, 667, 668.2, 671,
D6/671.1, 671.2, 675, 675.1
CPC Y10T 70/5097; A47B 81/00; A47B 97/00;
A47B 47/02; A47B 67/02; A47B 88/40;
A47B 61/00; A47B 63/00; A47B 79/00
See application file for complete search history.

(56) **References Cited**
U.S. PATENT DOCUMENTS
D168,443 S * 12/1952 Gershun D6/671.1
D178,056 S * 6/1956 Herrmann D6/666
D179,465 S * 12/1956 Wilson D6/671
D179,466 S * 12/1956 Wilson D6/671
D241,293 S * 9/1976 Introini D6/671.1
D331,335 S * 12/1992 Zapf D6/671.1
D454,724 S * 3/2002 Hokanson D6/668.2

OTHER PUBLICATIONS

“I Call This a Trend: Highlights From Tomasella’s Stand.” Found online Aug. 20, 2021 at www.latazzinablu.com. Page dated May 20, 2019. Retrieved from URL: https://www.latazzinablu.com/2019/05/i-call-this-trend-highlights-dallo.html (Year: 2019).*

(Continued)

Primary Examiner — Mary Ann Calabrese
Assistant Examiner — Katelin G Kloberg
(74) *Attorney, Agent, or Firm* — Mark M. Friedman

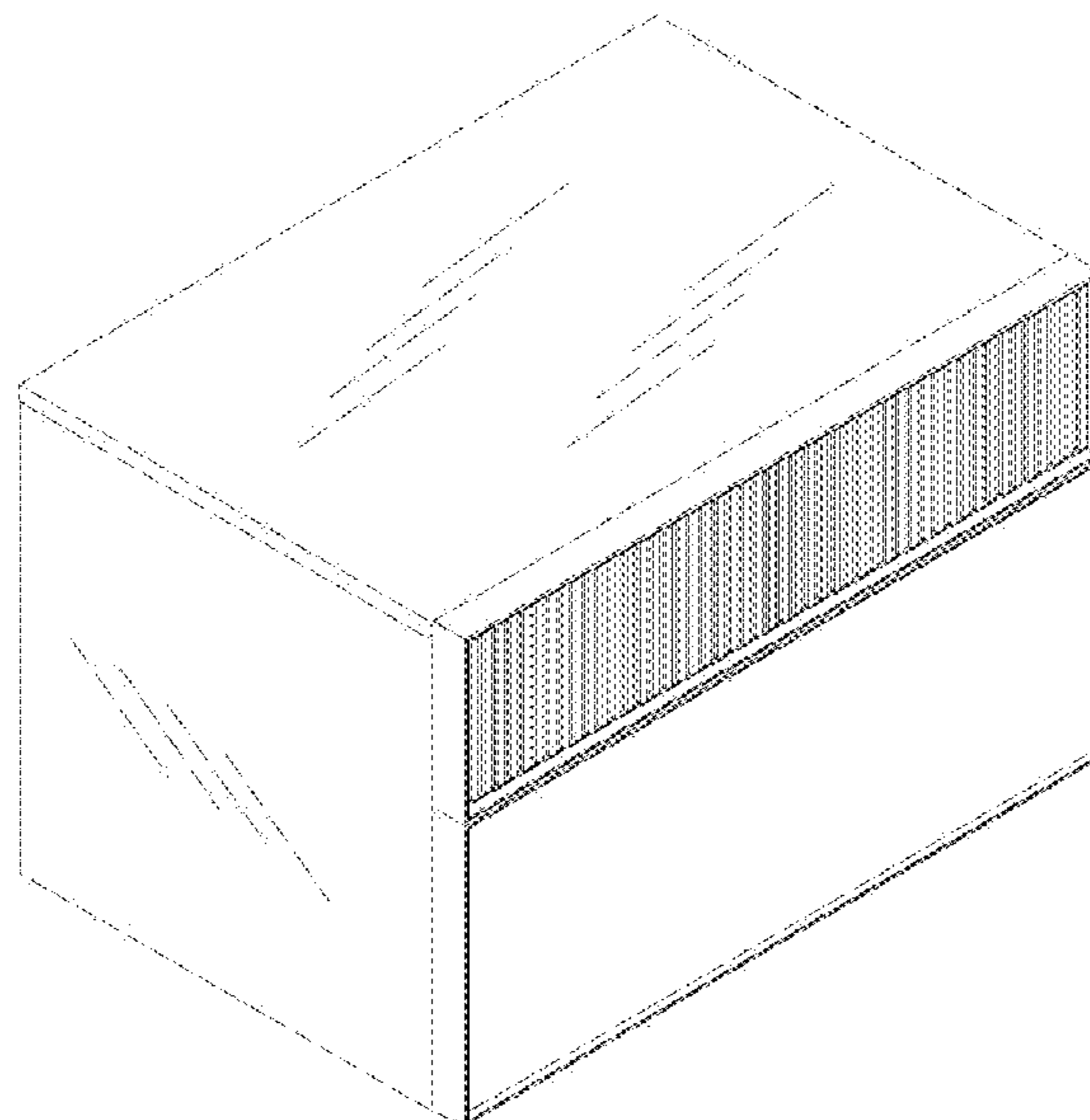
(57) **CLAIM**

The ornamental design for bedside table, as shown and described.

DESCRIPTION

FIG. 1 is a front right top perspective view of a bedside table showing my new design;
FIG. 2 is a front left top perspective view thereof;
FIG. 3 is a left side view thereof;
FIG. 4 right side view thereof;
FIG. 5 is a front view thereof;
FIG. 6 is a top view thereof; and,
FIG. 7 is a bottom view thereof.
The rear of the bedside table is devoid of ornamentation and may not be visible during normal use.

1 Claim, 7 Drawing Sheets



(56)

References Cited

U.S. PATENT DOCUMENTS

D913,729 S * 3/2021 Xiao D6/671.1

OTHER PUBLICATIONS

“One Dresser, Three Styles.” Found online Aug. 20, 2021 at www.latazzinablu.com. Page dated Nov. 19, 2019. Retrieved from URL: <https://www.latazzinablu.com/2019/11/un-como-tre-styling.html> (Year: 2019).*

“Facebook—Tomasella.” Found online Aug. 20, 2021 at www.facebook.com. Post dated Dec. 8, 2019. Retrieved from URL: <https://m.facebook.com/GruppoTomasellaOfficial/photos/a.1422688747985574/2450516248536147/?type=3&source=54> (Year: 2019).*

“Sideboard Vinci Tomasella.” Found online Aug. 20, 2021 at www.3dwarehouse.com. Page dated Feb. 5, 2021. Retrieved from URL: <https://3dwarehouse.sketchup.com/model/31829278-5def-4a22-8feb-8e8ffa73903/sideboard-Vinci-Tomasella> (Year: 2021).*

“Mid Century modern Italian sideboard.” Found online Aug. 20, 2021 at www.1stdibs.com. Product manufactured 1960. Retrieved from URL: https://www.1stdibs.com/furniture/storage-case-pieces/sideboards/mid-century-modern-italian-sideboard-sliding-grooved-doors-1960s/id-f_8767203/ (Year: 1960).*

* cited by examiner

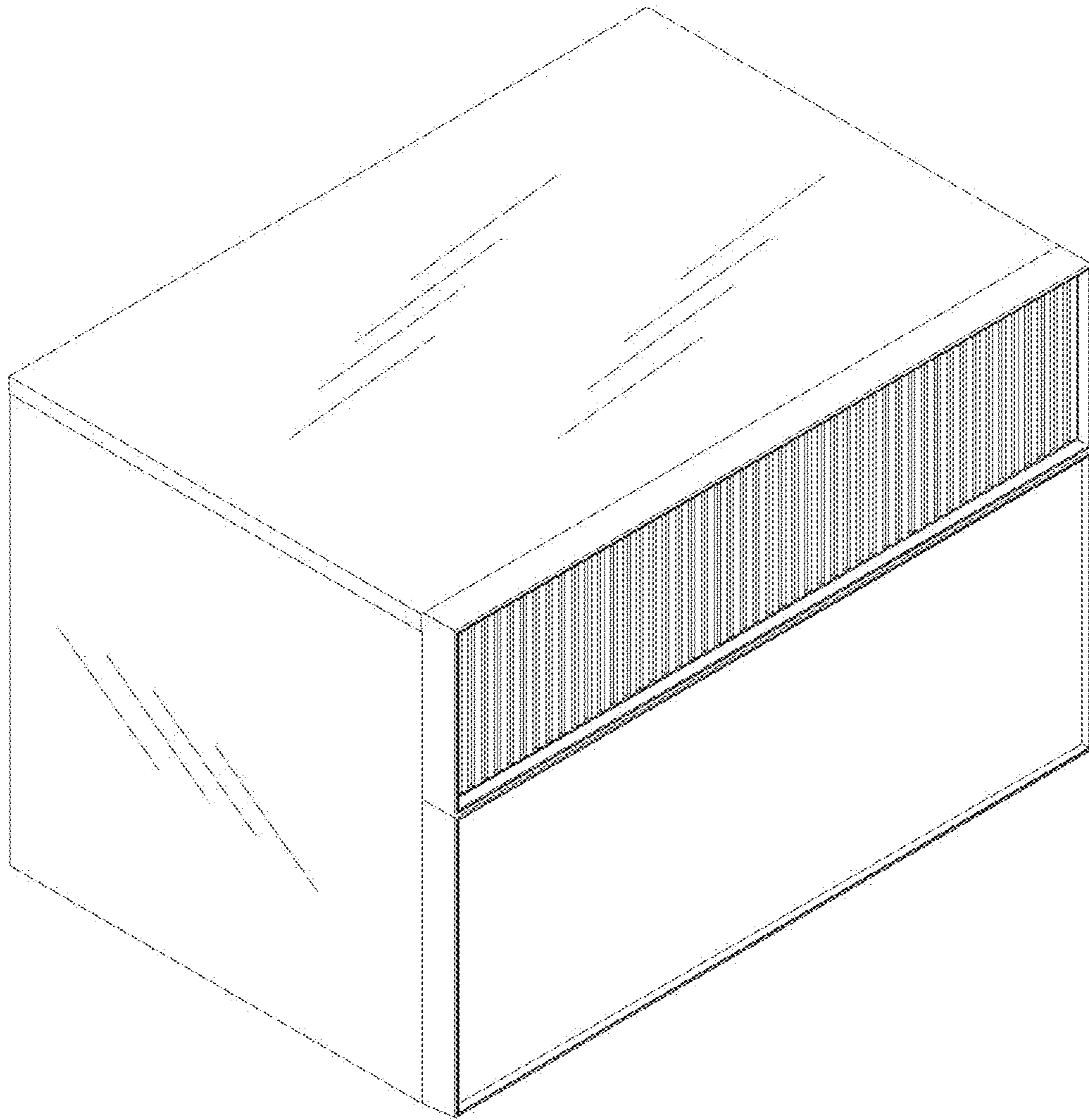


FIG. 1

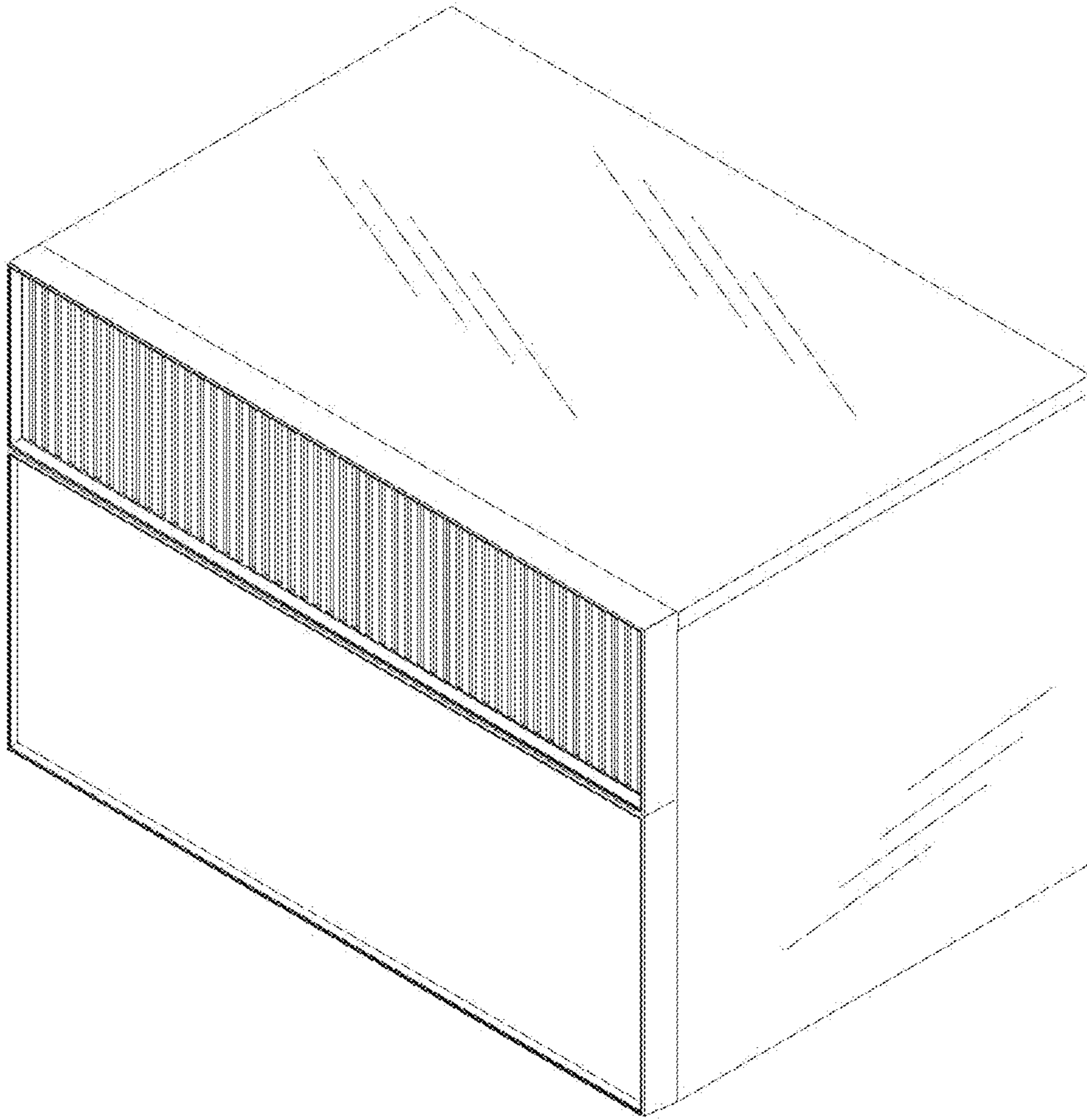


FIG. 2

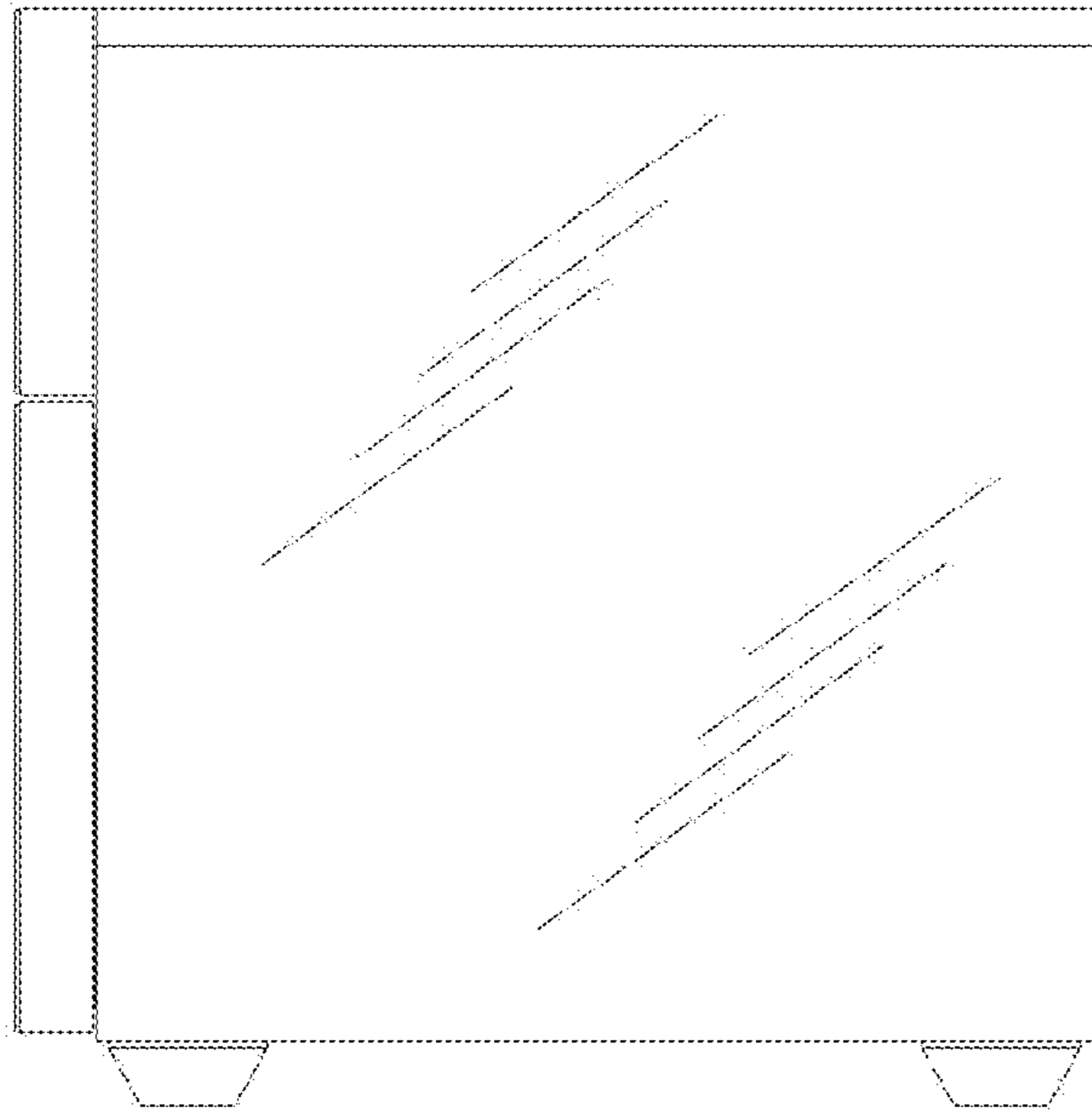


FIG. 3

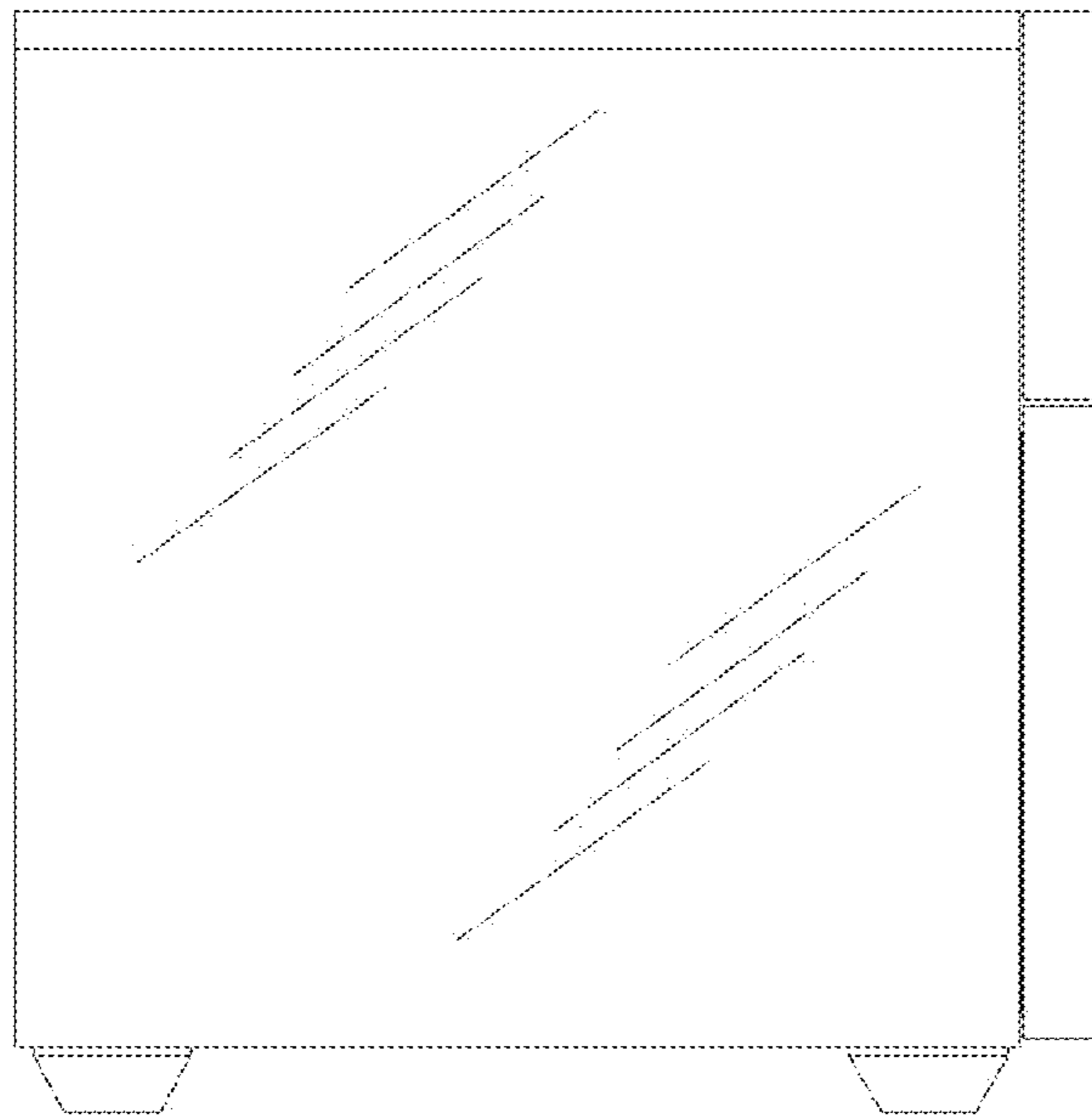


FIG. 4

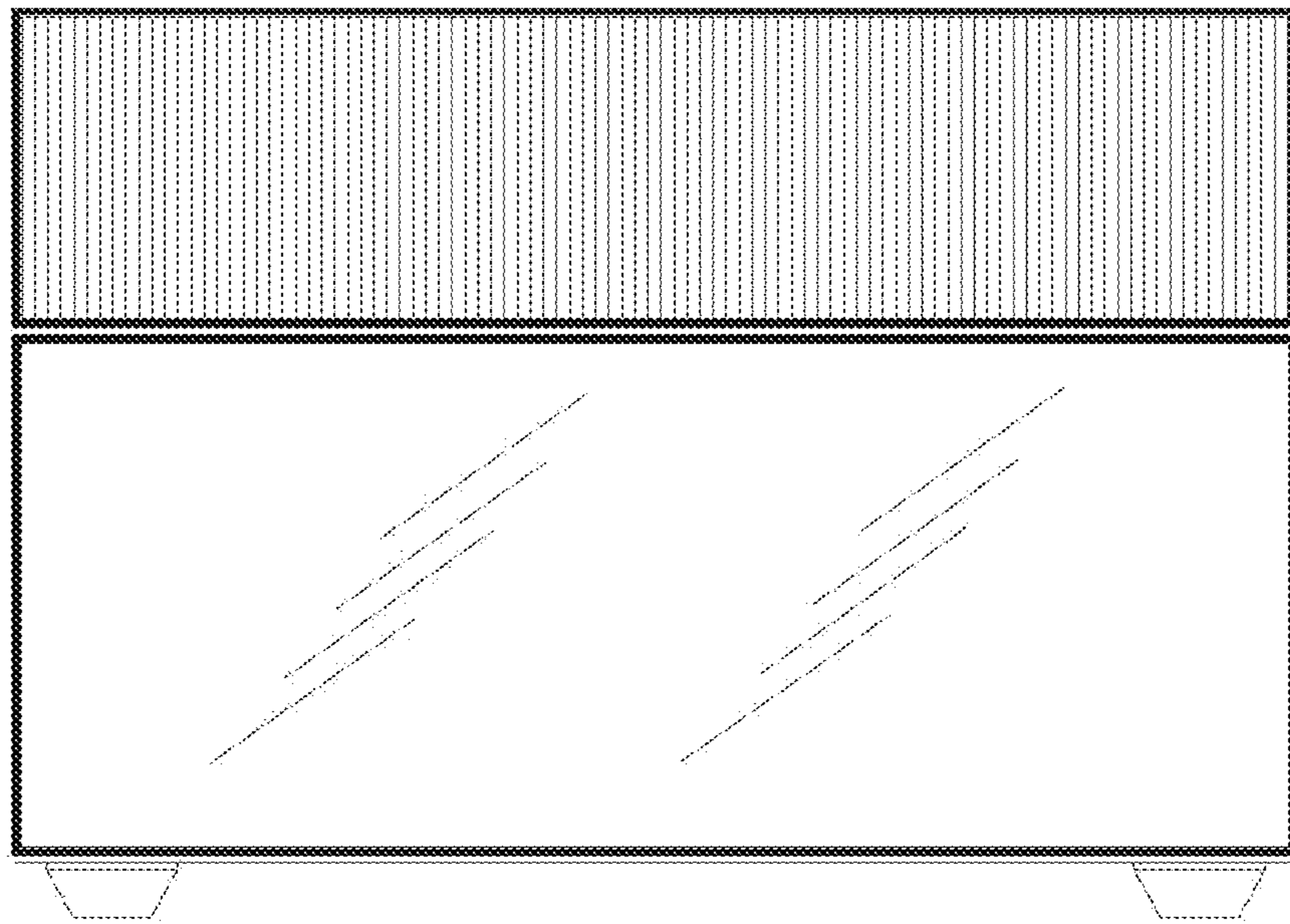


FIG. 5

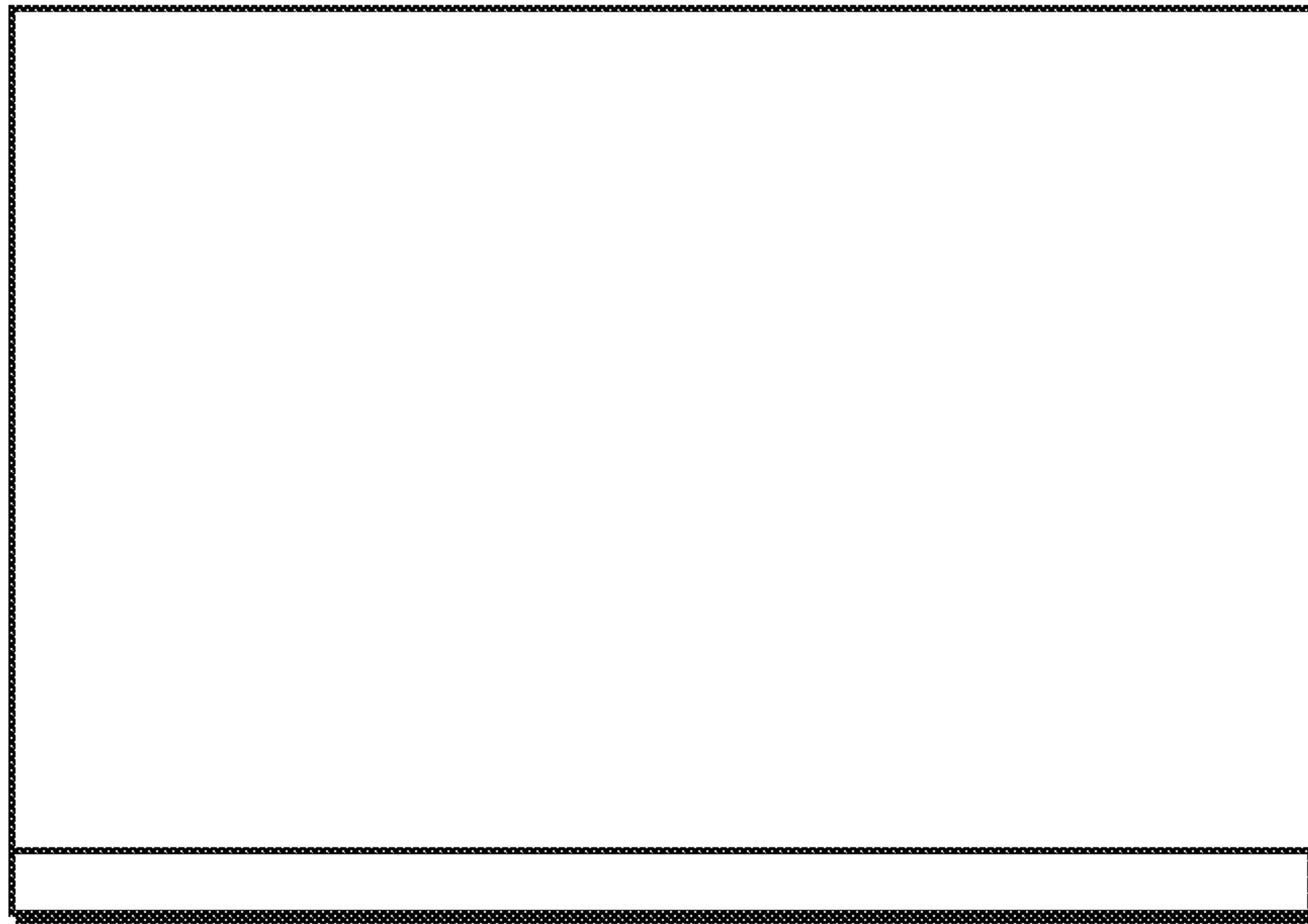


FIG. 6

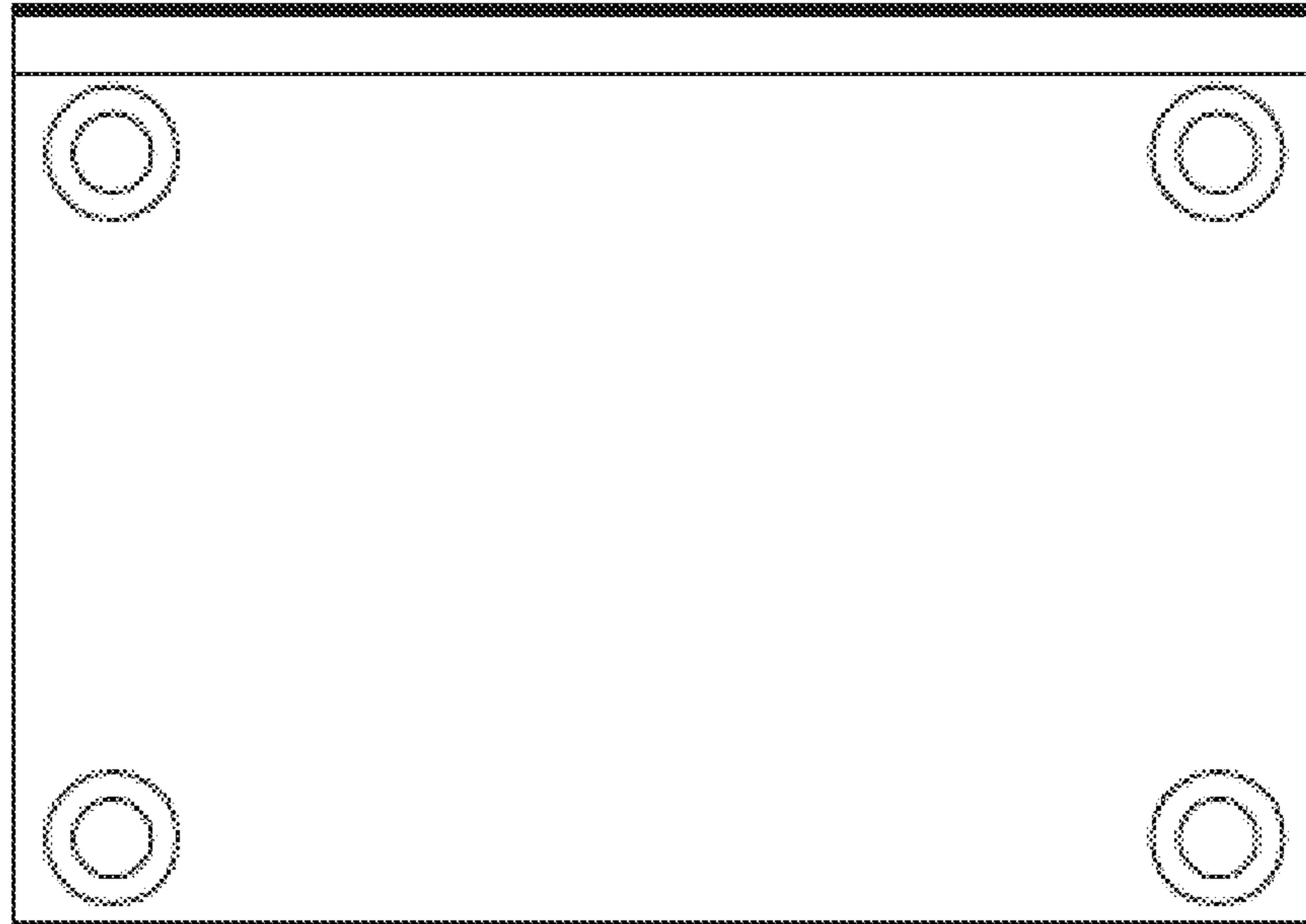


FIG. 7