



US00D939868S

(12) **United States Design Patent** (10) **Patent No.:** **US D939,868 S**
Chen (45) **Date of Patent:** **** Jan. 4, 2022**

(54) **VANITY CABINET**
(71) Applicant: **Cambium Business Group, Inc.**,
Buena Park, CA (US)
(72) Inventor: **Yanxin Chen**, Buena Park, CA (US)
(73) Assignee: **CAMBIUM BUSINESS GROUP,**
INC., Buena Park, CA (US)
(**) Term: **15 Years**
(21) Appl. No.: **29/701,323**
(22) Filed: **Aug. 9, 2019**
(51) **LOC (13) Cl.** **06-04**
(52) **U.S. Cl.**
USPC **D6/671.1**
(58) **Field of Classification Search**
USPC D6/329, 657, 663, 664.1, 671, 671.1,
D6/702; D23/286
CPC A47B 43/00; A47B 2220/03; A47B 67/00;
A47B 96/00; A47K 1/00
See application file for complete search history.

(56) **References Cited**

U.S. PATENT DOCUMENTS

270,701 A * 1/1883 Scott A47K 1/00
312/308
D184,171 S * 12/1958 Felcan D23/286
D223,373 S * 4/1972 Elvestad D6/667
D454,262 S * 3/2002 Chu D6/671.1
D464,330 S * 10/2002 Zarker, Jr. D23/286
D500,929 S * 1/2005 Walker D6/671.1
D516,835 S * 3/2006 Netto D6/671.1
D526,143 S * 8/2006 Bruce D23/286
D532,626 S * 11/2006 McDiarmid D6/671.1
D534,370 S * 1/2007 Charnik D6/671.1
D534,998 S * 1/2007 Charnik D23/286
D538,406 S * 3/2007 Mayer D23/286
D554,897 S * 11/2007 Mayer D23/286
D577,226 S * 9/2008 Clucas D6/671.1

D584,535 S * 1/2009 Clucas D6/671.1
D594,674 S * 6/2009 Walker D6/671.1
D626,636 S * 11/2010 Thomas D23/286
D626,637 S * 11/2010 Thomas D23/286
D722,458 S * 2/2015 Chen D6/671.1
D912,443 S * 3/2021 Li D6/671.1
2010/0237756 A1* 9/2010 Weinstein A47B 67/00
312/228.1
2020/0029745 A1* 1/2020 Liu A47B 43/00

OTHER PUBLICATIONS

“Facebook—What We Make.” Found online Jul. 30, 2021 at www.facebook.com. Post dated Aug. 7, 2018. Retrieved from URL: <https://www.facebook.com/wwmake/photos/a.1428190317295780/1779195682195240/?type=3&theater> (Year: 2018).*
“Modway Transmit 36-inch Bathroom Vanity.” Found online Aug. 13, 2021 at www.amazon.com. Product first available Nov. 24, 2020. Retrieved from URL: <https://www.amazon.com/Modway-Transmit-36-Bathroom-Vanity/dp/B08P3RB48D> (Year: 2020).*

* cited by examiner

Primary Examiner — Michael C Stout
Assistant Examiner — Katelin G Kloberg
(74) *Attorney, Agent, or Firm* — Cislo & Thomas, LLP

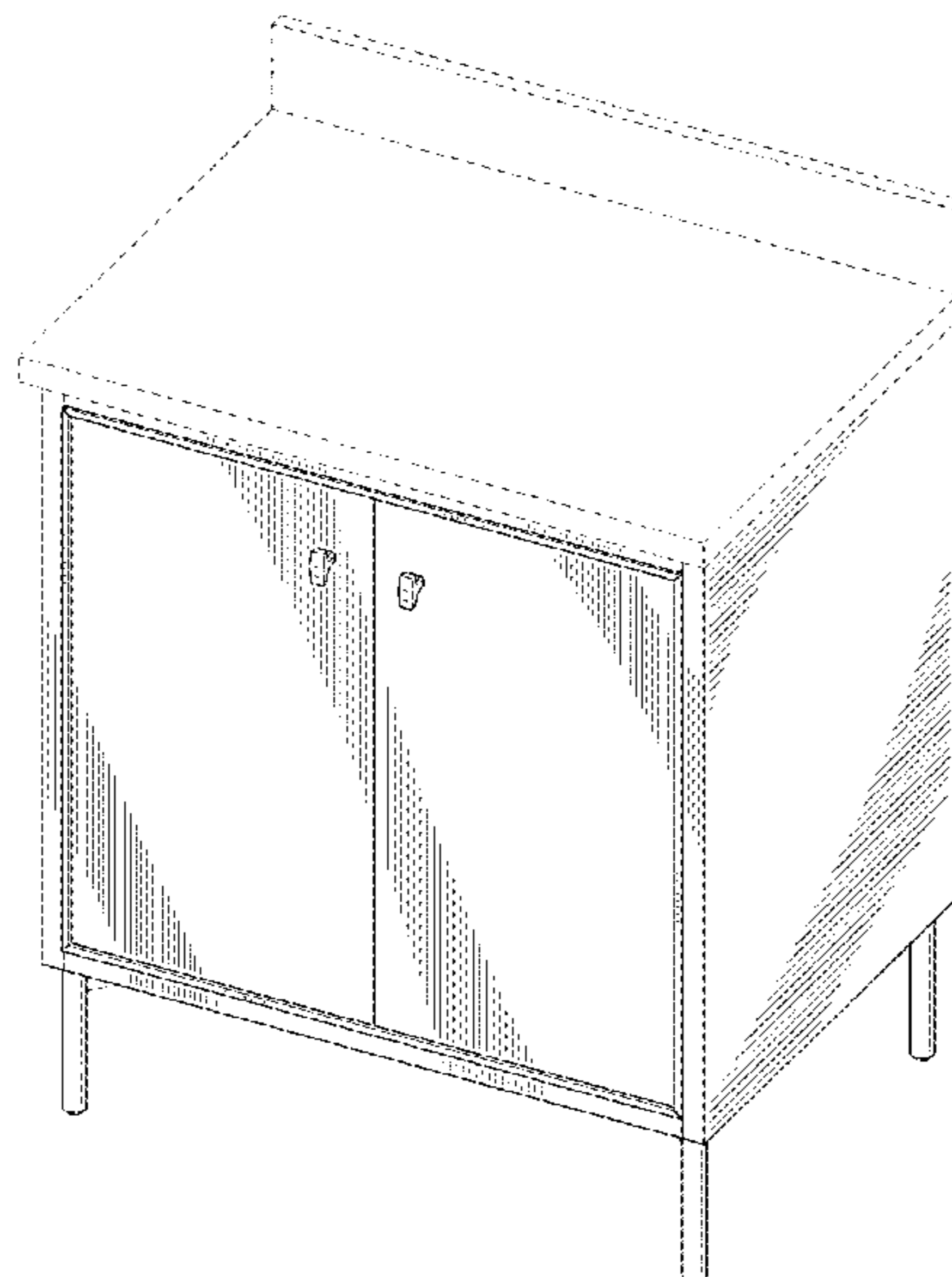
(57) **CLAIM**

I claim the ornamental design for a vanity cabinet, as shown and described.

DESCRIPTION

FIG. 1 is a front perspective view of the vanity cabinet. FIG. 2 is a bottom perspective view thereof. FIG. 3 is a front view thereof; and, FIG. 4 is an enlarged right side elevation view thereof with the enlarged left side elevation view being a mirror image thereof. The broken lines shown in the drawings depict portions of the article that form no part of the claimed design.

1 Claim, 4 Drawing Sheets



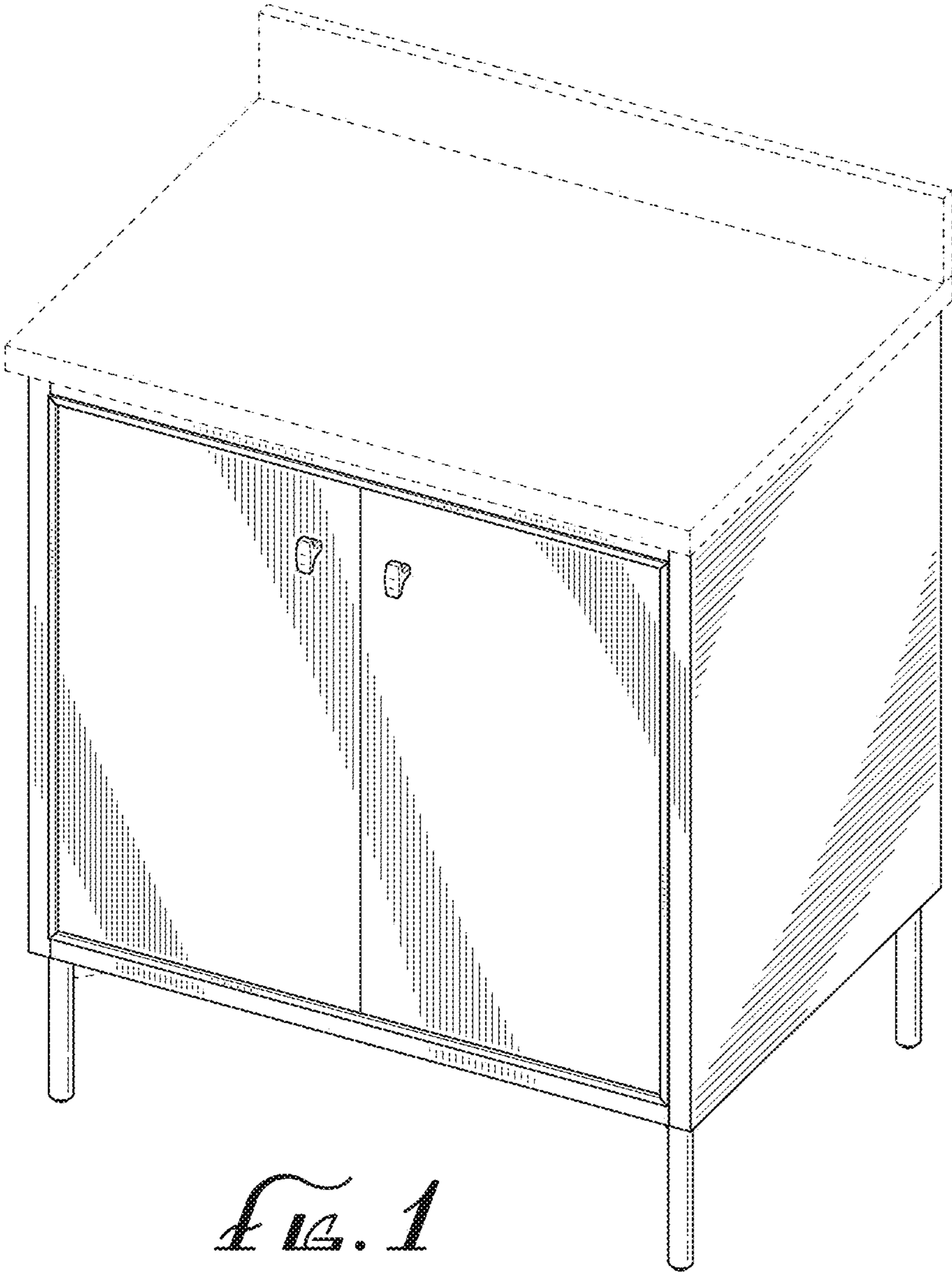


FIG. 1

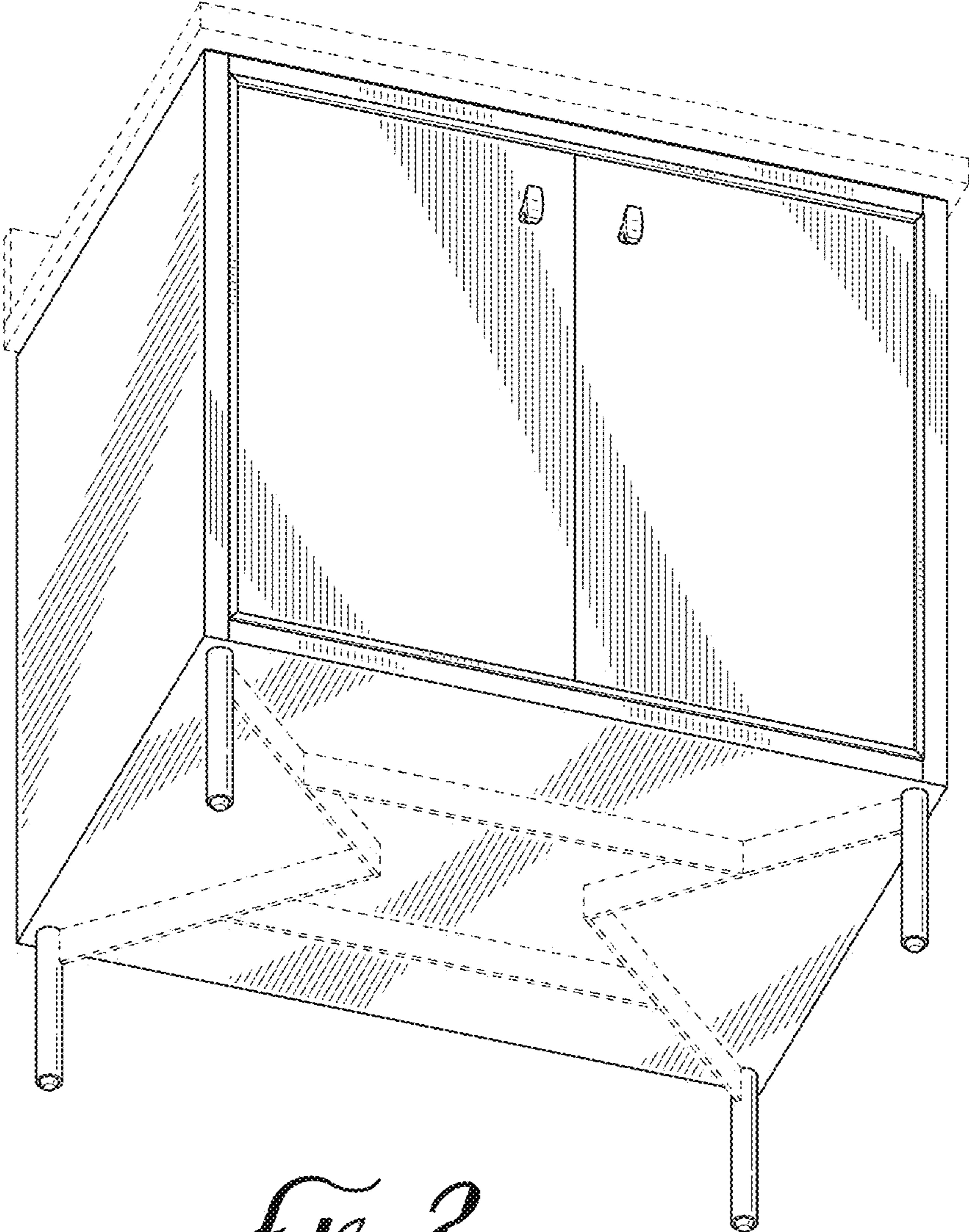


FIG. 2

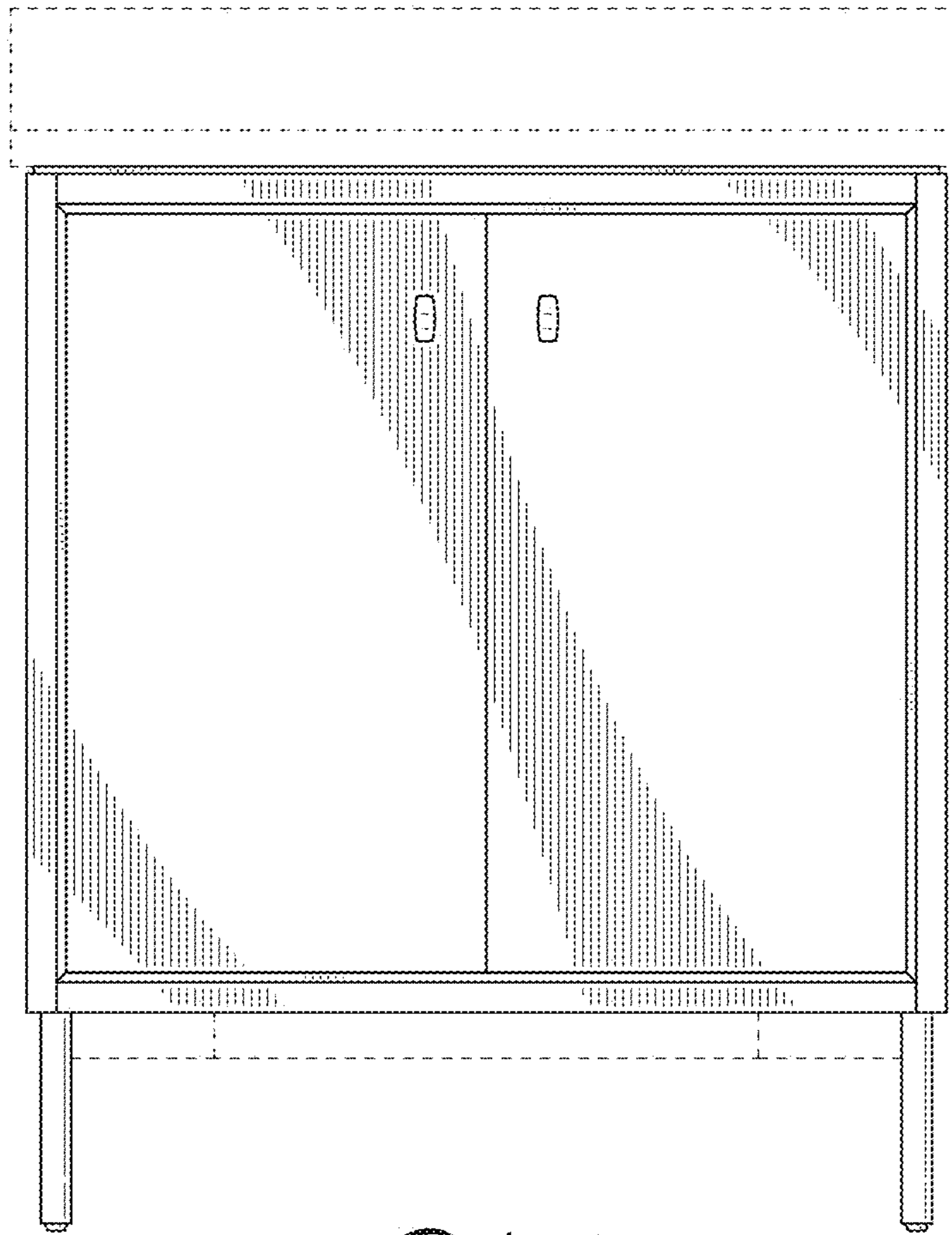


FIG. 3

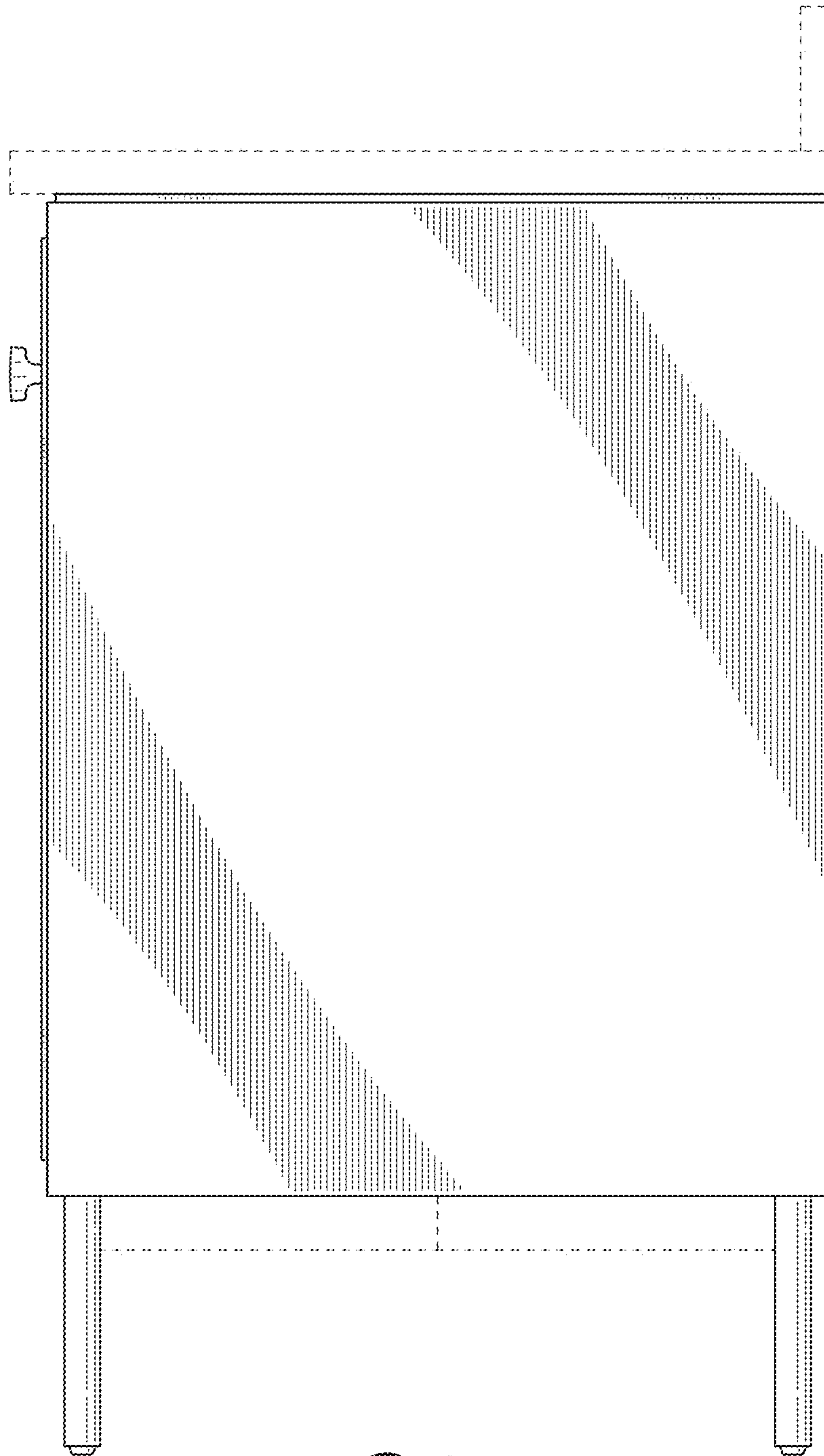


FIG. 4