



US00D939865S

(12) **United States Design Patent** (10) **Patent No.:** **US D939,865 S**  
**Wang** (45) **Date of Patent:** **\*\* Jan. 4, 2022**

(54) **SEAT CUSHION**

(56) **References Cited**

(71) Applicant: **SHENZHEN LIAN DA TECHNOLOGY INDUSTRIAL CO., LTD.**, Guangdong (CN)

U.S. PATENT DOCUMENTS

(72) Inventor: **Linming Wang**, Guangdong (CN)

D400,032 S *	10/1998	Richter	.....	D6/716.1
6,668,404 B2 *	12/2003	Lanteri	.....	A47G 9/10 5/636
D666,435 S *	9/2012	Meyers	.....	D6/716
D799,234 S *	10/2017	Mao	.....	D6/380
D805,323 S *	12/2017	Chan	.....	D6/601
D885,793 S *	6/2020	Wang	.....	D6/601
D898,439 S *	10/2020	Luo	.....	D6/601
D899,142 S *	10/2020	Federl	.....	D6/601
D907,400 S *	1/2021	Federl	.....	D6/601
D908,394 S *	1/2021	Yin	.....	D6/601
D911,071 S *	2/2021	Yu	.....	D6/601
D923,970 S *	7/2021	He	.....	D6/601
D931,651 S *	9/2021	Chen	.....	D6/601
2012/0073056 A1 *	3/2012	Freund	.....	A47G 9/10 5/639
2017/0065085 A1 *	3/2017	Chan	.....	A47C 7/746

(73) Assignee: **SHENZHEN LIAN DA TECHNOLOGY INDUSTRIAL CO., LTD.**, Shenzhen (CN)

(\*\*) Term: **15 Years**

(21) Appl. No.: **29/759,750**

(22) Filed: **Nov. 25, 2020**

(30) **Foreign Application Priority Data**

Nov. 12, 2020 (CN) ..... 202030685670.8

(51) **LOC (13) Cl.** ..... **06-09**

(52) **U.S. Cl.**  
USPC ..... **D6/601**

(58) **Field of Classification Search**  
USPC ..... D6/595-601, 603, 604, 611; D21/803,  
D21/804; D24/183  
CPC ..... A47C 7/12; A47C 7/021; A47C 7/383;  
A47C 7/425; A47C 7/428; A47C 7/546;  
A47C 16/00; A47C 20/00; A47C 20/02;  
A47C 20/021; A47C 20/026; A47C  
20/027; A47C 31/11; A47C 27/001; A47C  
27/081; A47C 1/146; A47G 9/00; A47G  
9/10; A47G 9/07; A47G 9/1027; A47G  
9/1045; A47G 9/1054; A47G 9/1063;  
A47G 9/1072; A47G 9/1081; A47G  
9/109; A47G 2009/1018; A47G  
2009/1036

See application file for complete search history.

\* cited by examiner

*Primary Examiner* — Jennifer L Rempfer

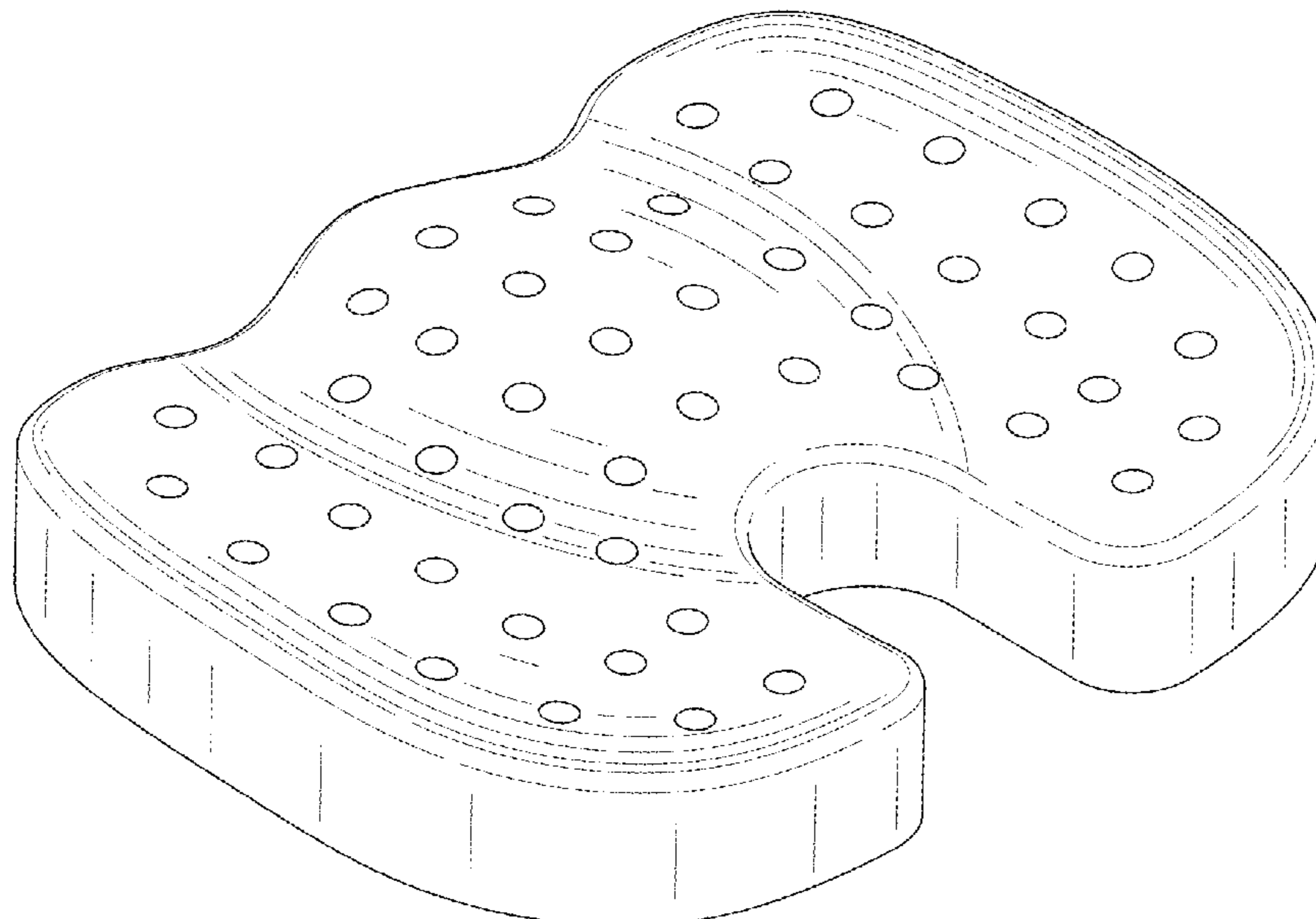
(57) **CLAIM**

The ornamental design for a seat cushion, as shown and described.

**DESCRIPTION**

FIG. 1 is a top, front and left side perspective view of a seat cushion showing my new design;  
FIG. 2 is a bottom, rear and right side perspective view thereof;  
FIG. 3 is a front elevational view thereof;  
FIG. 4 is a rear elevational view thereof;  
FIG. 5 is a left side view thereof;  
FIG. 6 is a right side view thereof;  
FIG. 7 is a top plan view thereof;  
FIG. 8 is a bottom plan view thereof; and,  
FIG. 9 is a cross-sectional view taken along line 9-9 of FIG. 7.

**1 Claim, 9 Drawing Sheets**



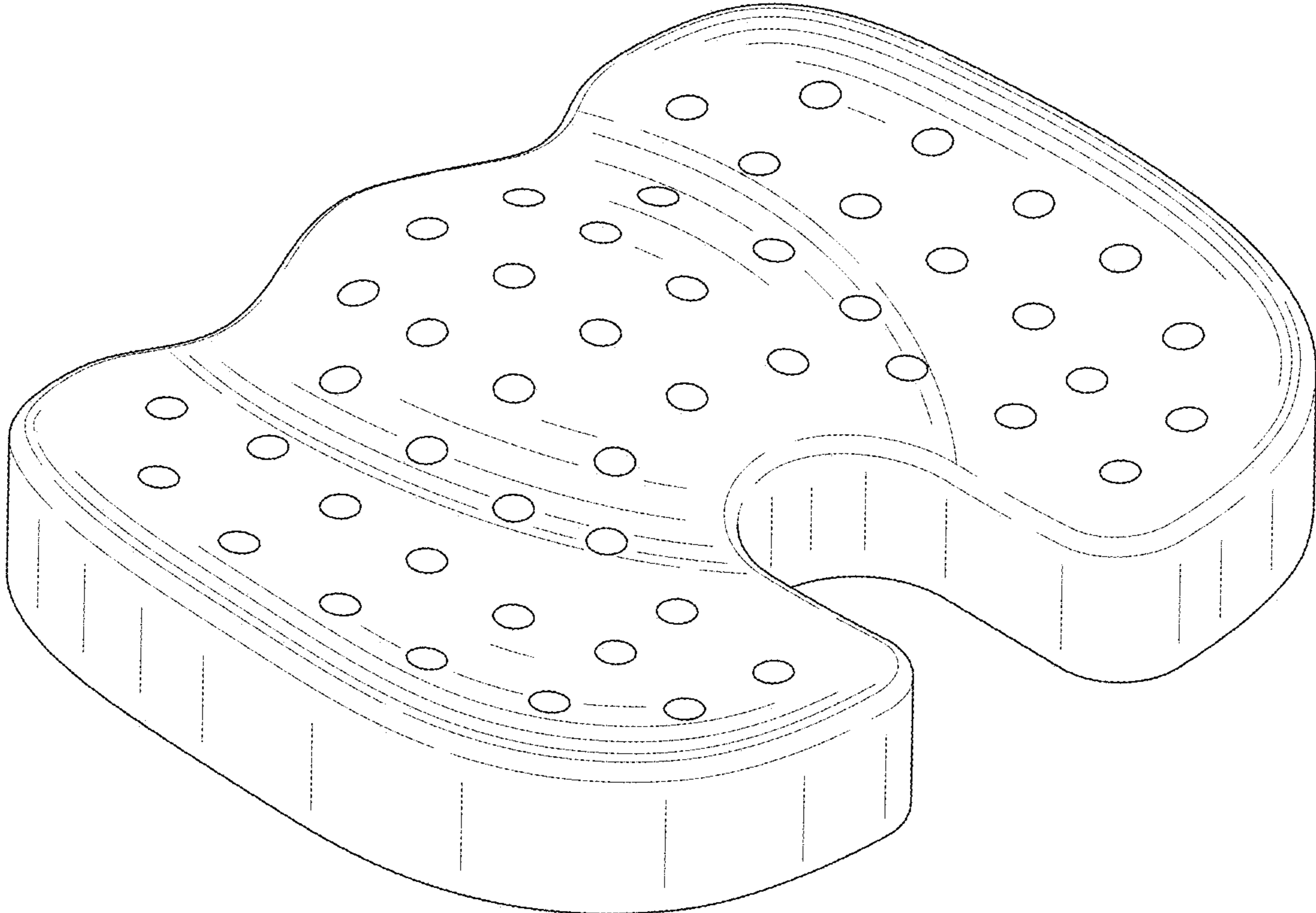


FIG. 1

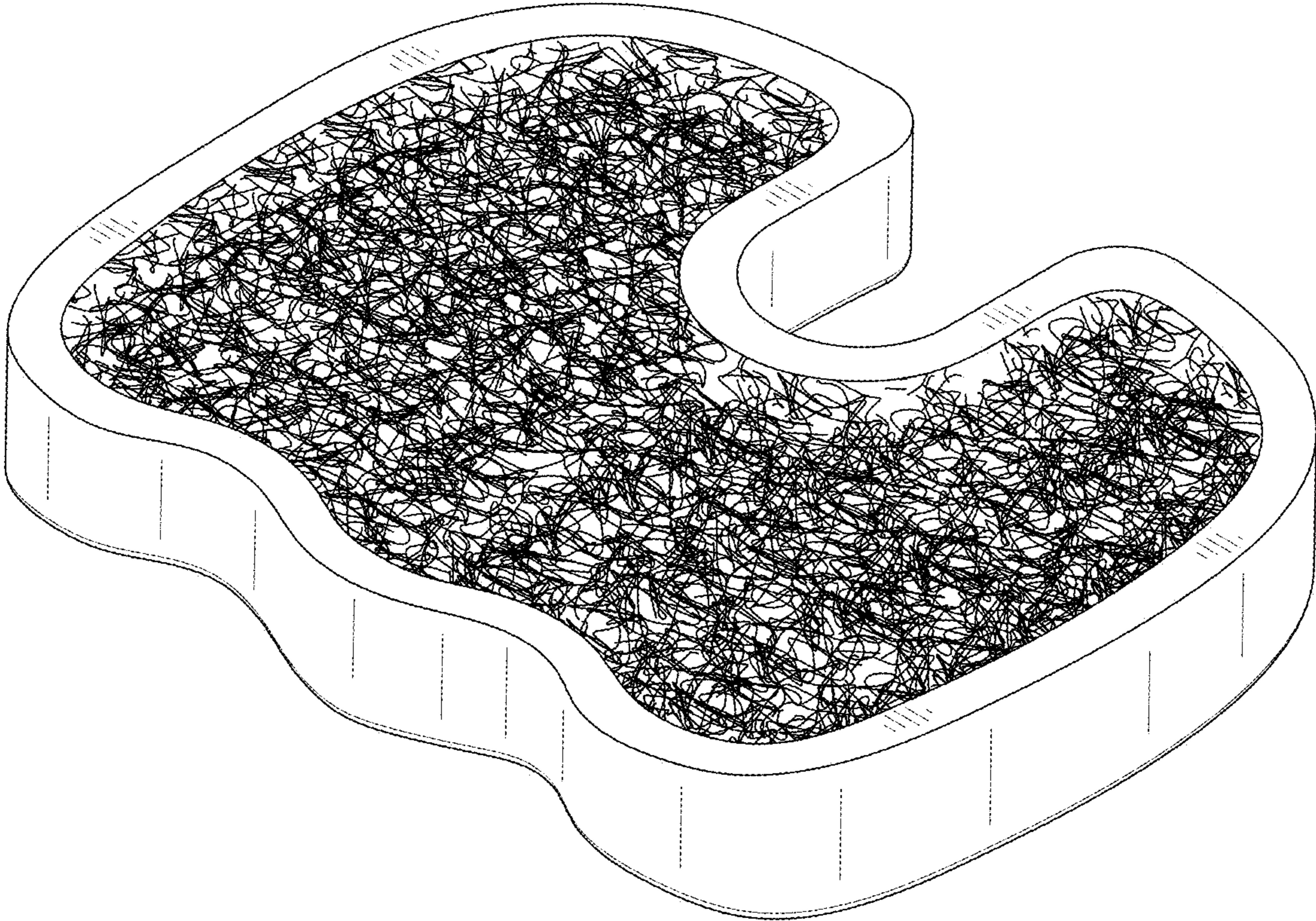


FIG. 2

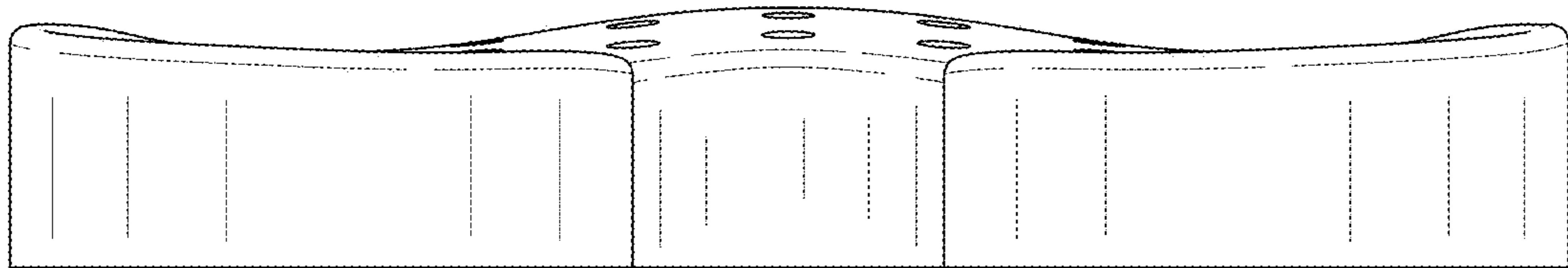


FIG. 3

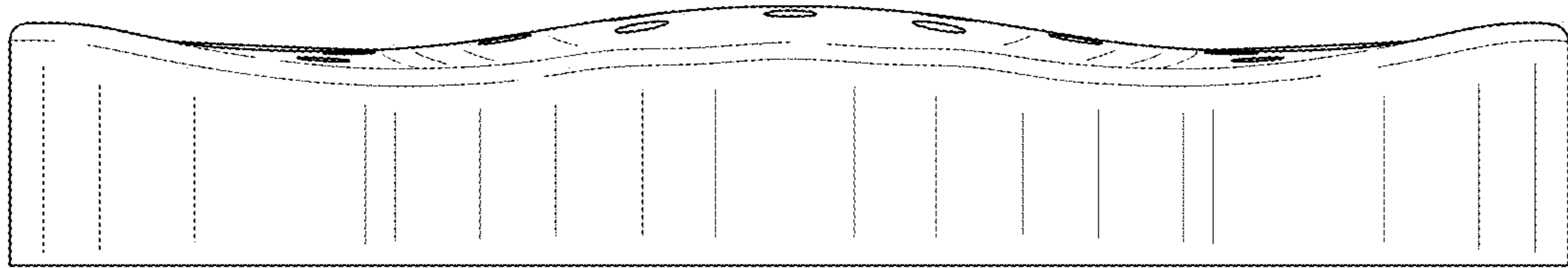


FIG. 4

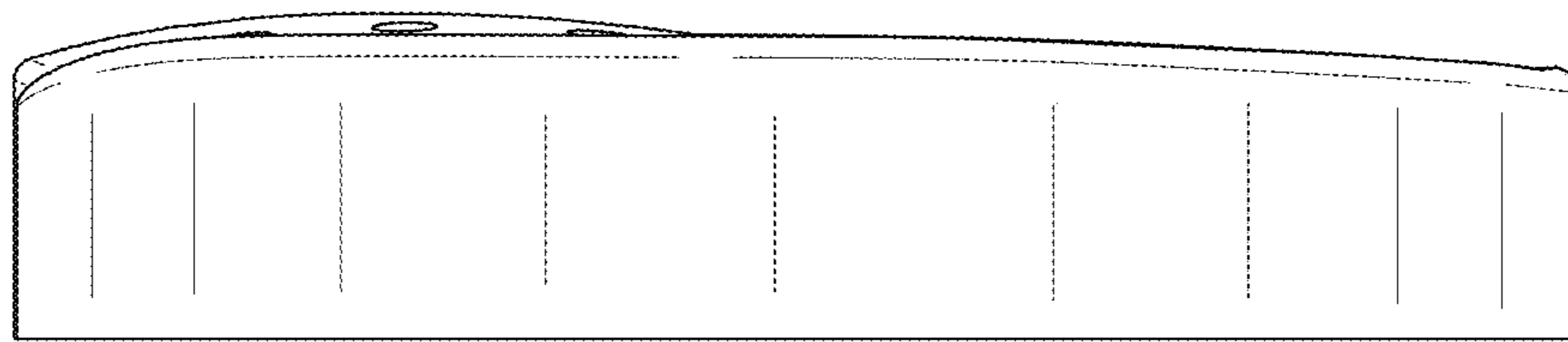


FIG. 5

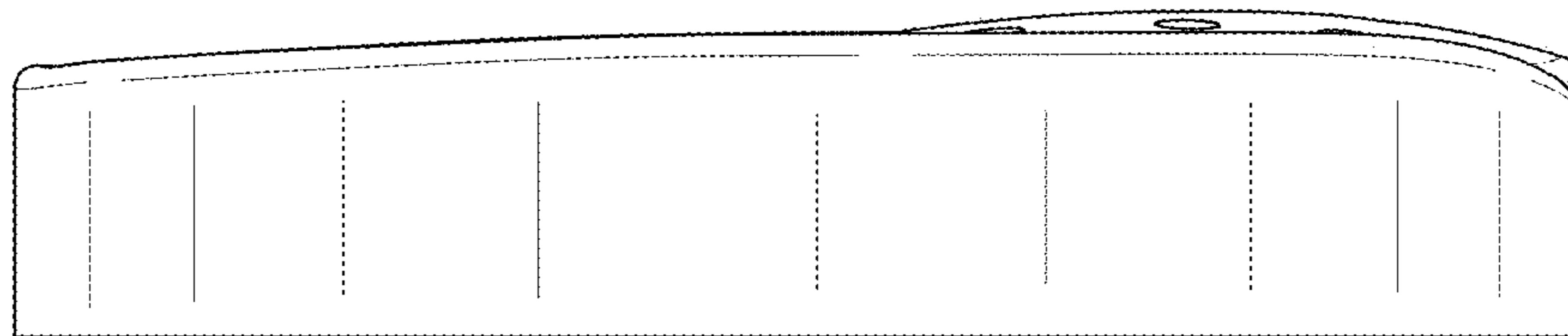


FIG. 6

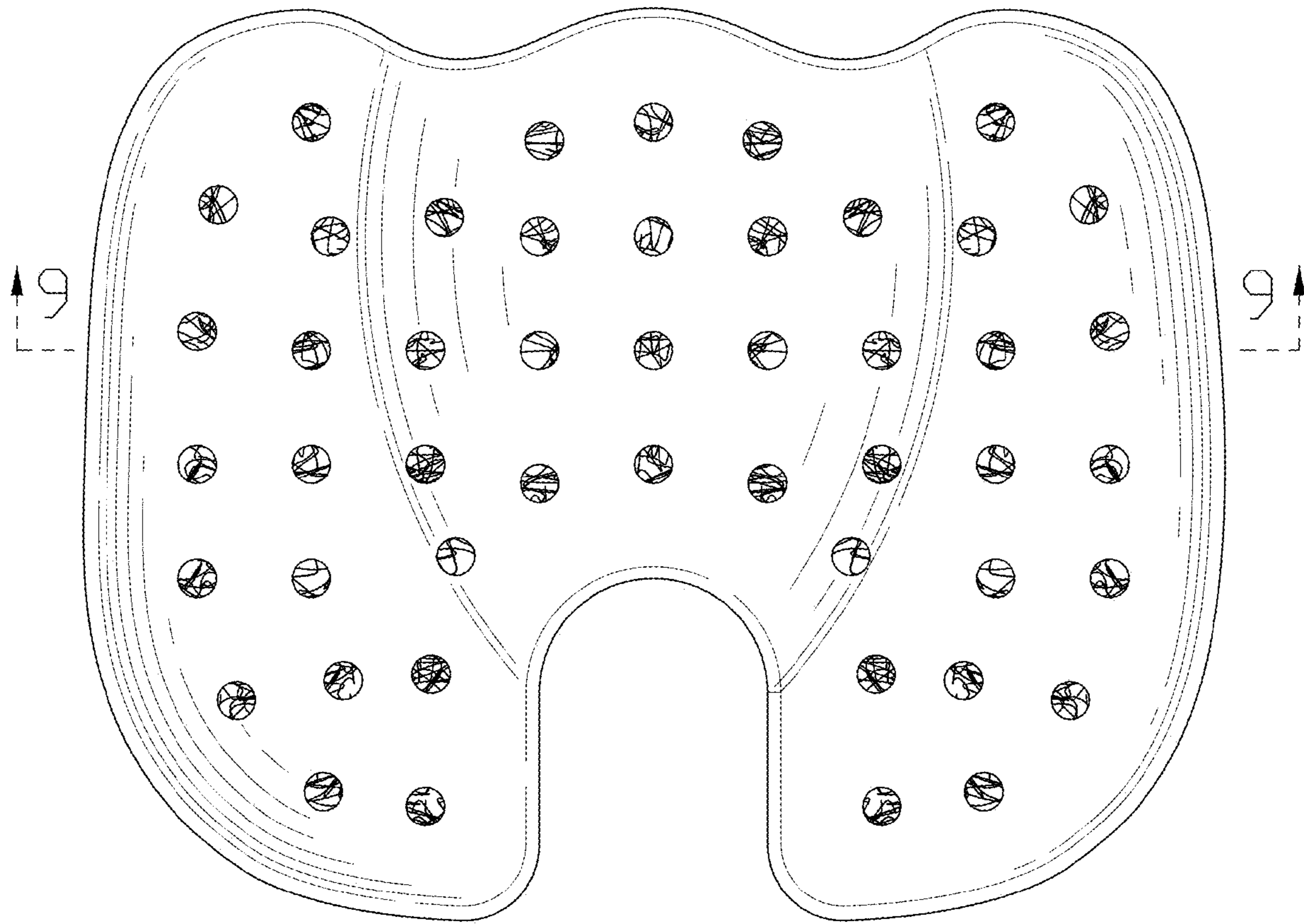


FIG. 7



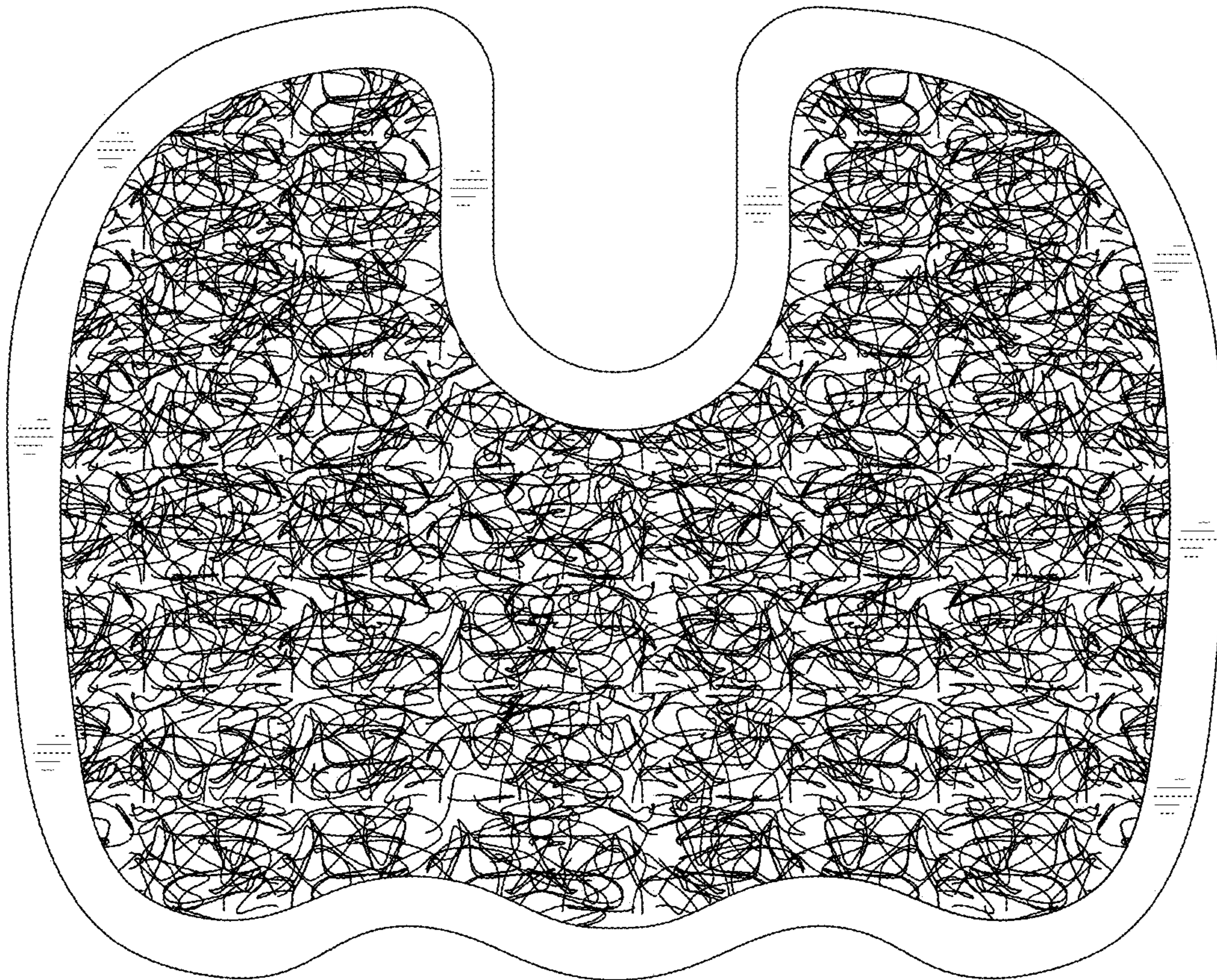


FIG. 8

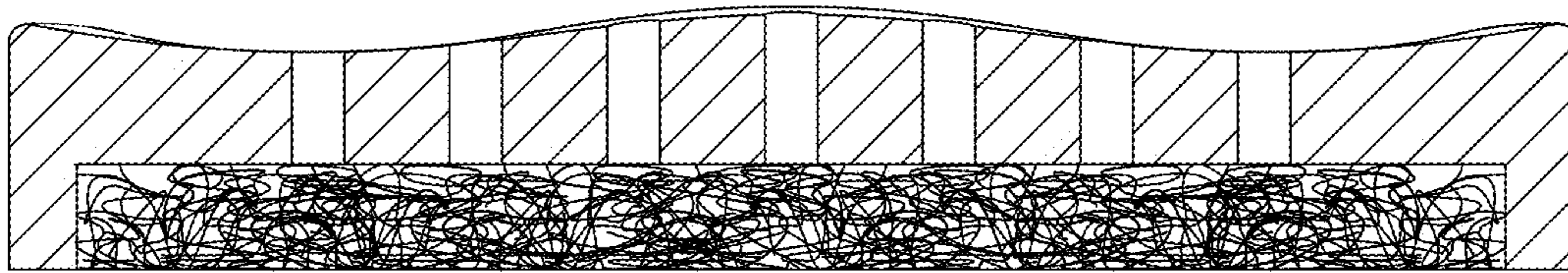


FIG. 9