



US00D939864S

(12) **United States Design Patent**
Wang

(10) **Patent No.:** **US D939,864 S**
(45) **Date of Patent:** **** Jan. 4, 2022**

- (54) **PILLOW**
- (71) Applicant: **SHENZHEN LIAN DA TECHNOLOGY INDUSTRIAL CO., LTD.**, Guangdong (CN)
- (72) Inventor: **Linming Wang**, Guangdong (CN)
- (73) Assignee: **SHENZHEN LIAN DA TECHNOLOGY INDUSTRIAL CO., LTD.**, Shenzhen (CN)
- (**) Term: **15 Years**
- (21) Appl. No.: **29/750,667**
- (22) Filed: **Sep. 15, 2020**
- (51) **LOC (13) Cl.** **06-09**
- (52) **U.S. Cl.**
USPC **D6/601**
- (58) **Field of Classification Search**
USPC D6/595-601, 603, 604, 611; D21/803, D21/804; D24/183
CPC A47C 7/12; A47C 7/021; A47C 7/383; A47C 7/425; A47C 7/428; A47C 7/546; A47C 16/00; A47C 20/00; A47C 20/02; A47C 20/021; A47C 20/026; A47C 20/027; A47C 31/11; A47C 27/001; A47C 27/081; A47C 1/146; A47G 9/00; A47G 9/10; A47G 9/07; A47G 9/1027; A47G 9/1045; A47G 9/1054; A47G 9/1063; A47G 9/1072; A47G 9/1081; A47G 9/109; A47G 2009/1018; A47G 2009/1036
See application file for complete search history.

- 6,687,933 B2 * 2/2004 Habboub A61G 7/05784 5/654
- D516,855 S * 3/2006 Akamatsu D6/601
- D517,849 S * 3/2006 Akamatsu D6/601
- D575,974 S * 9/2008 Akamatsu D6/601
- D603,643 S * 11/2009 Keefe D6/601
- 7,996,940 B1 * 8/2011 Dahm A47C 27/18 5/654
- 8,359,686 B2 * 1/2013 Hunter A47G 9/109 5/638
- D807,666 S * 1/2018 Lee D6/601
- D828,054 S * 9/2018 Chen D6/601
- D849,448 S * 5/2019 Mi D6/601
- D869,196 S * 12/2019 Shin D6/601
- D871,796 S * 1/2020 Mi D6/601
- D880,195 S * 4/2020 Yang D6/601
- D897,736 S * 10/2020 Costlow D6/601
- D899,142 S * 10/2020 Federl D6/601
- D910,125 S * 2/2021 Liu D21/688
- D913,013 S * 3/2021 Rensin D6/601
- D916,218 S * 4/2021 Lu D21/688

(Continued)

Primary Examiner — Jennifer L Rempfer

(57) **CLAIM**

The ornamental design for a pillow, as shown and described.

DESCRIPTION

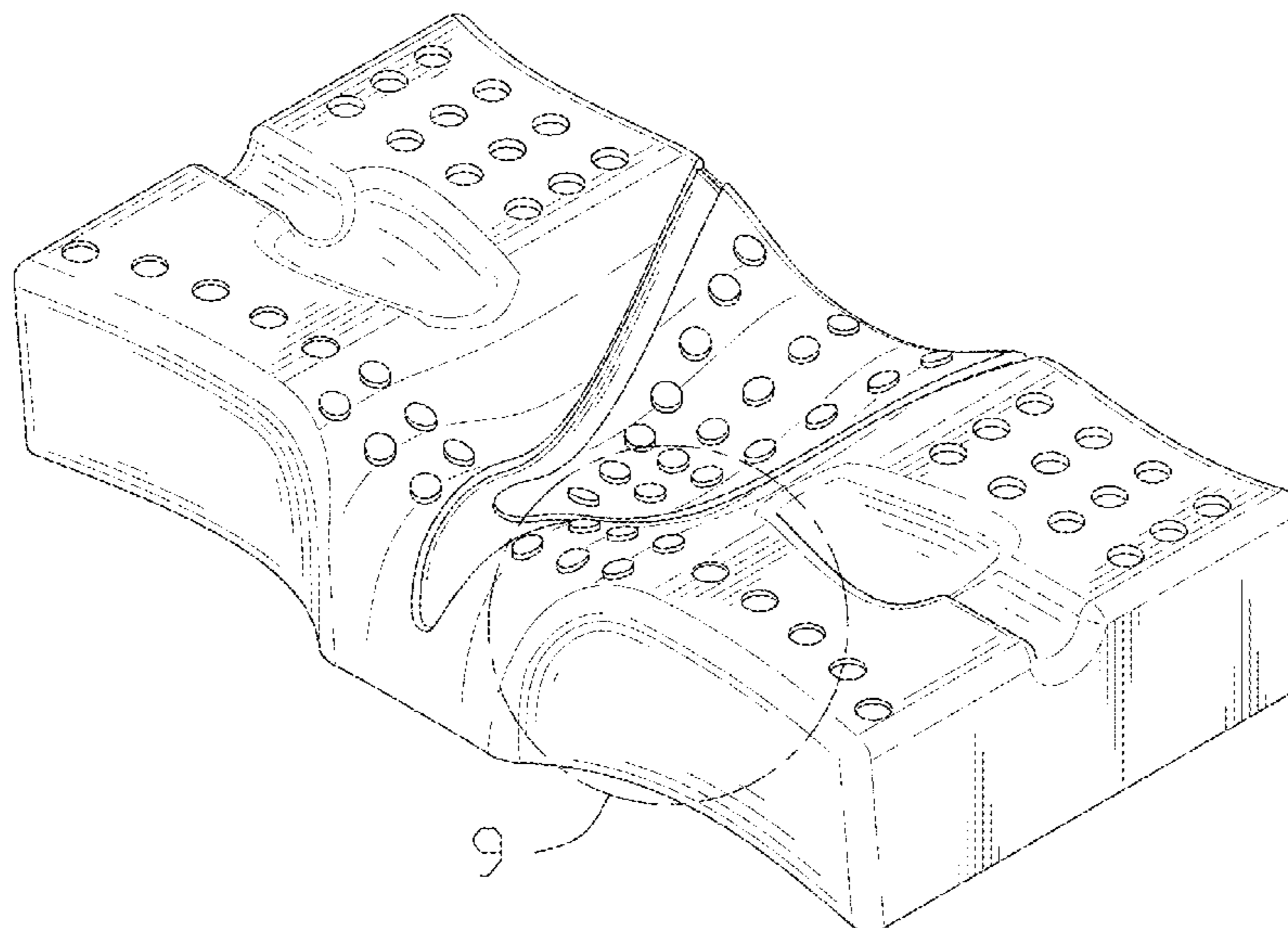
FIG. 1 is a top, front and right side perspective view of a pillow showing my new design;
 FIG. 2 is a top, rear and left side perspective view thereof;
 FIG. 3 is a front elevational view thereof;
 FIG. 4 is a rear elevational view thereof;
 FIG. 5 is a left side view thereof;
 FIG. 6 is a right side view thereof;
 FIG. 7 is a top plan view thereof;
 FIG. 8 is a bottom plan view thereof; and,
 FIG. 9 is an enlarged view of portion 9 in FIG. 1.

1 Claim, 9 Drawing Sheets

(56) **References Cited**

U.S. PATENT DOCUMENTS

- 5,884,351 A * 3/1999 Tonino A47G 9/007 5/652.1
- 6,668,404 B2 * 12/2003 Lanteri A47G 9/10 5/636



(56)

References Cited

U.S. PATENT DOCUMENTS

D924,601 S * 7/2021 Lian D6/601
D927,225 S * 8/2021 Wang D6/601
D930,399 S * 9/2021 Zou D6/601
2005/0102756 A1* 5/2005 Martin A47G 9/10
5/636
2012/0256466 A1* 10/2012 Lievestro B29C 44/1266
297/452.18
2017/0156958 A1* 6/2017 Roh A47G 9/1081

* cited by examiner

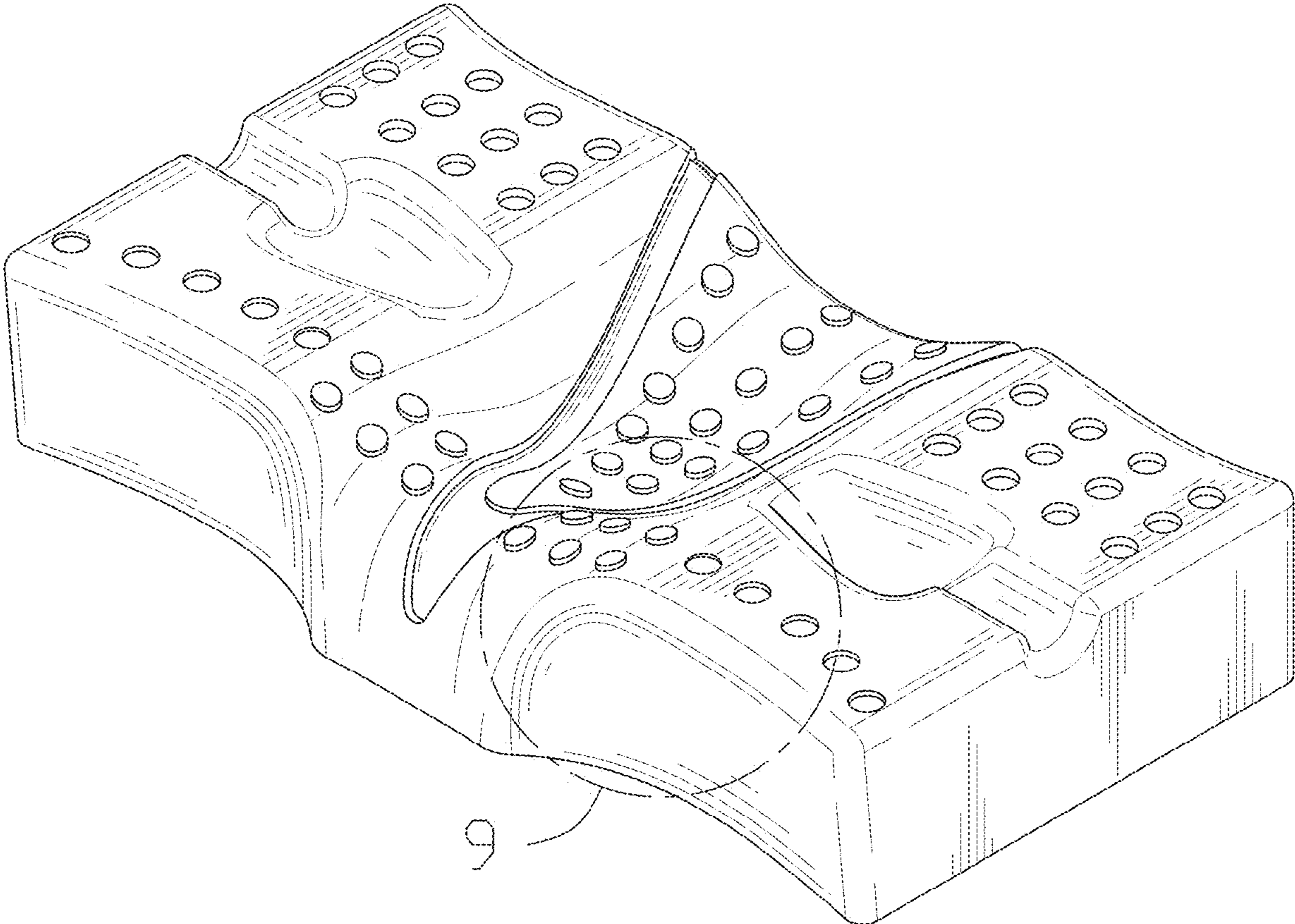


FIG. 1

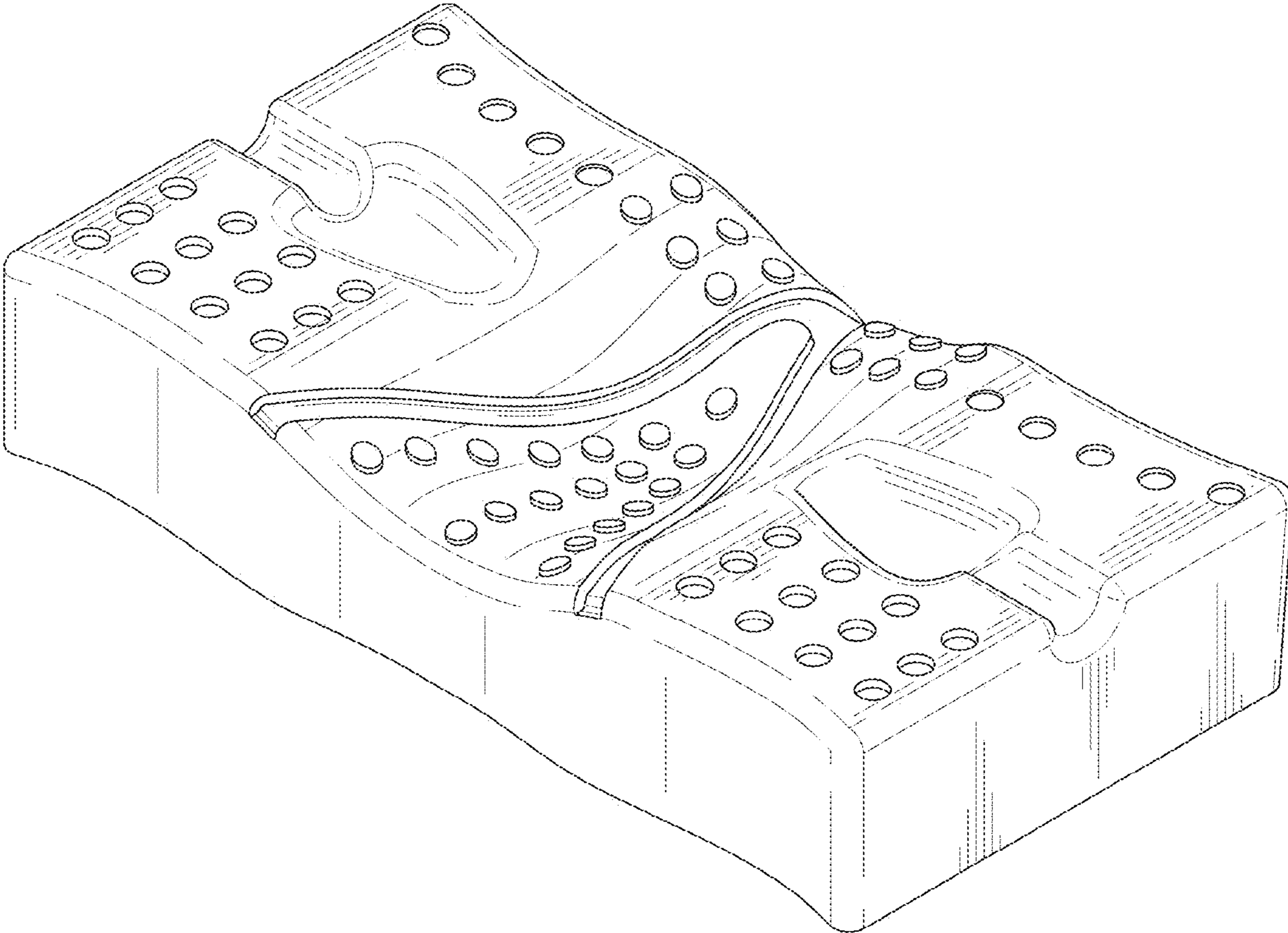


FIG. 2

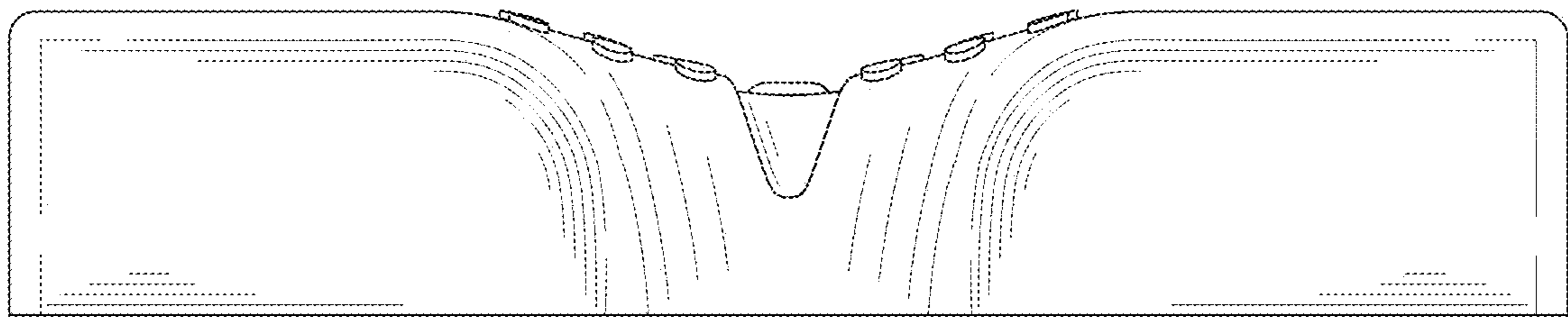


FIG. 3

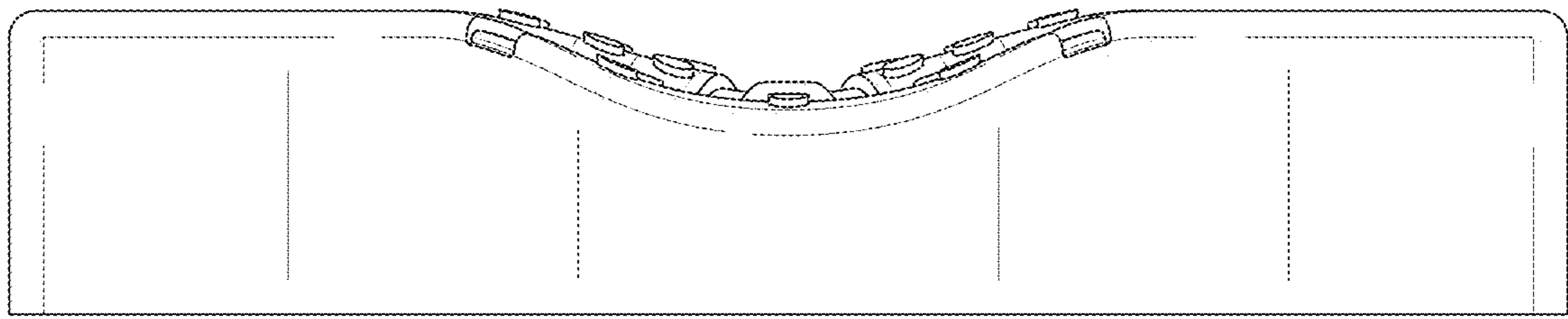


FIG. 4

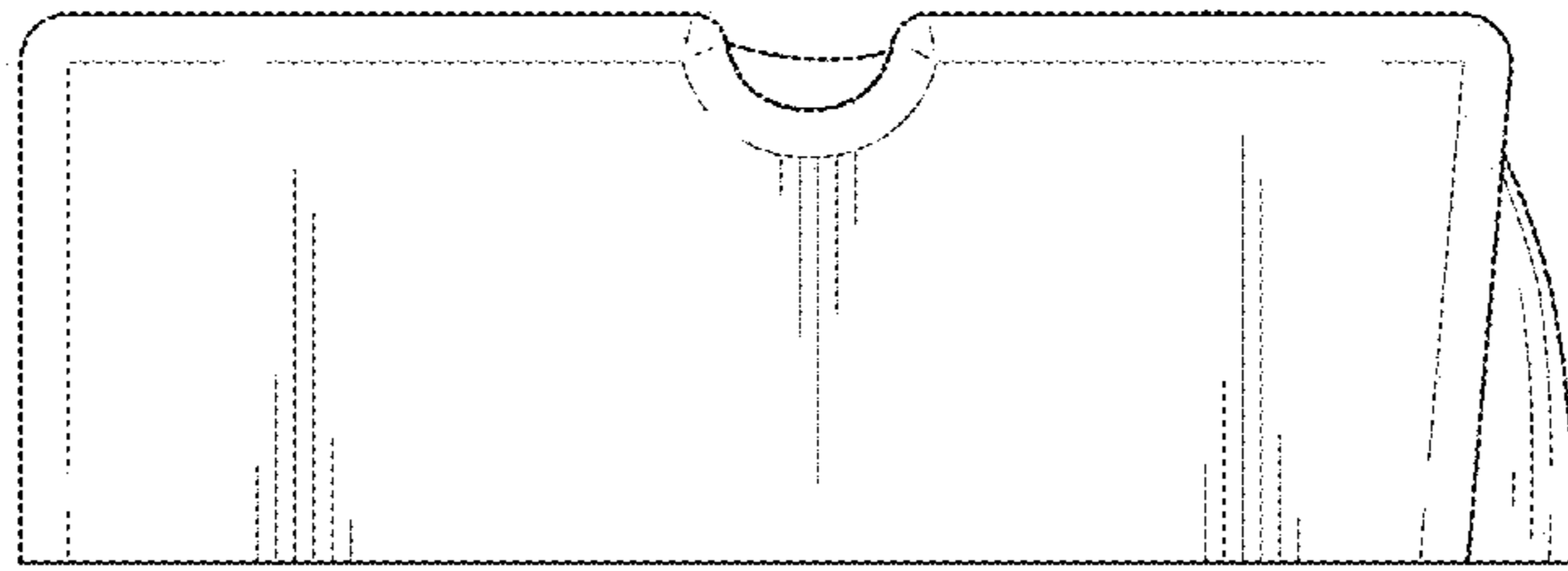


FIG. 5

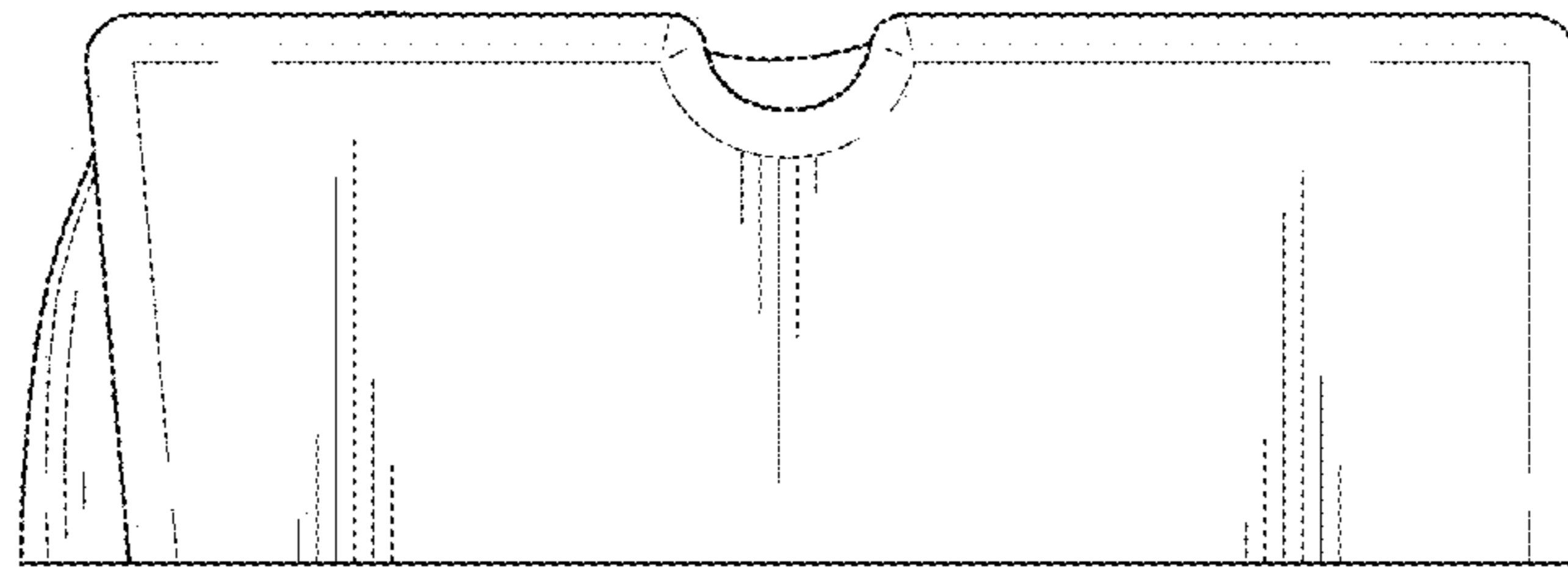


FIG. 6

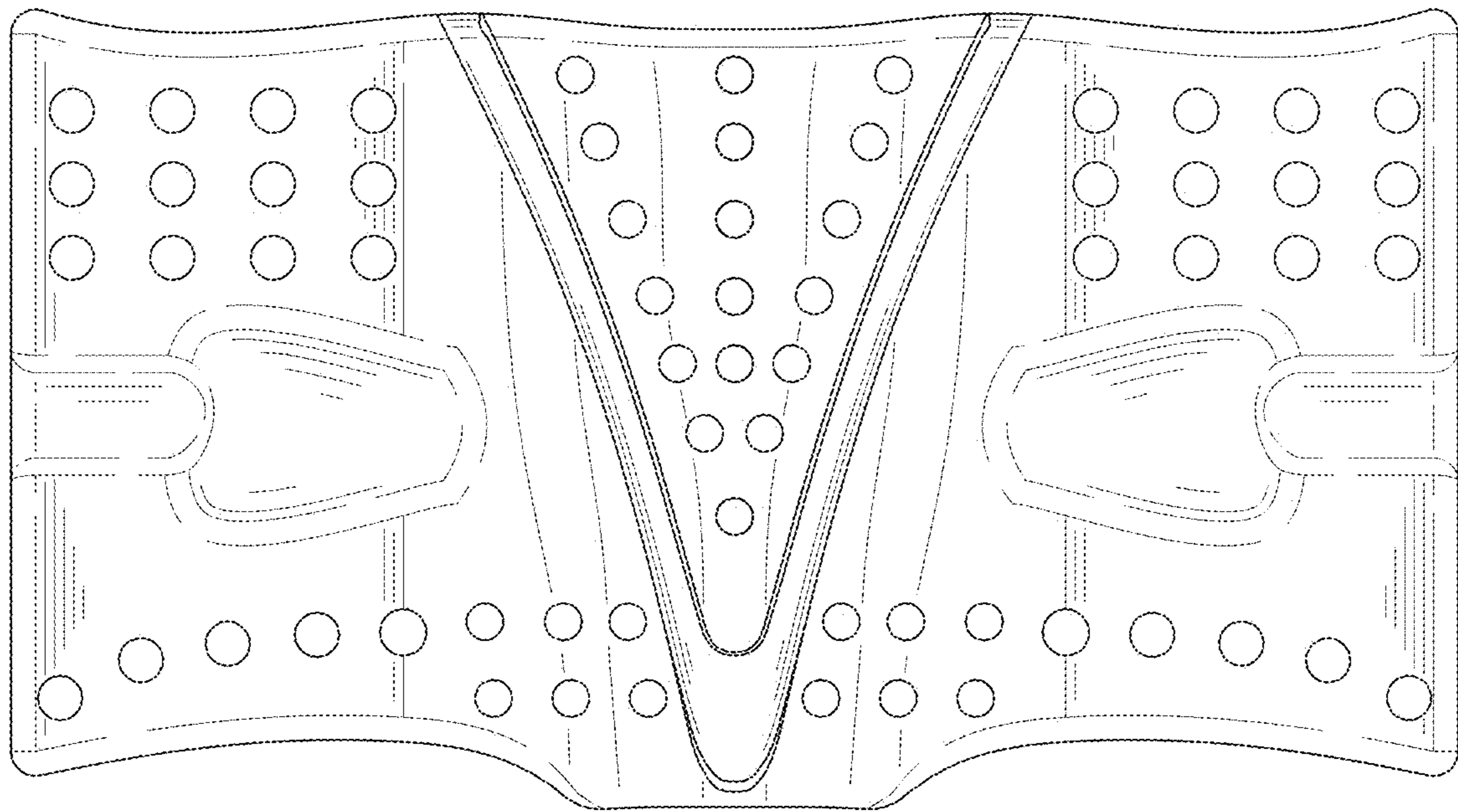


FIG. 7

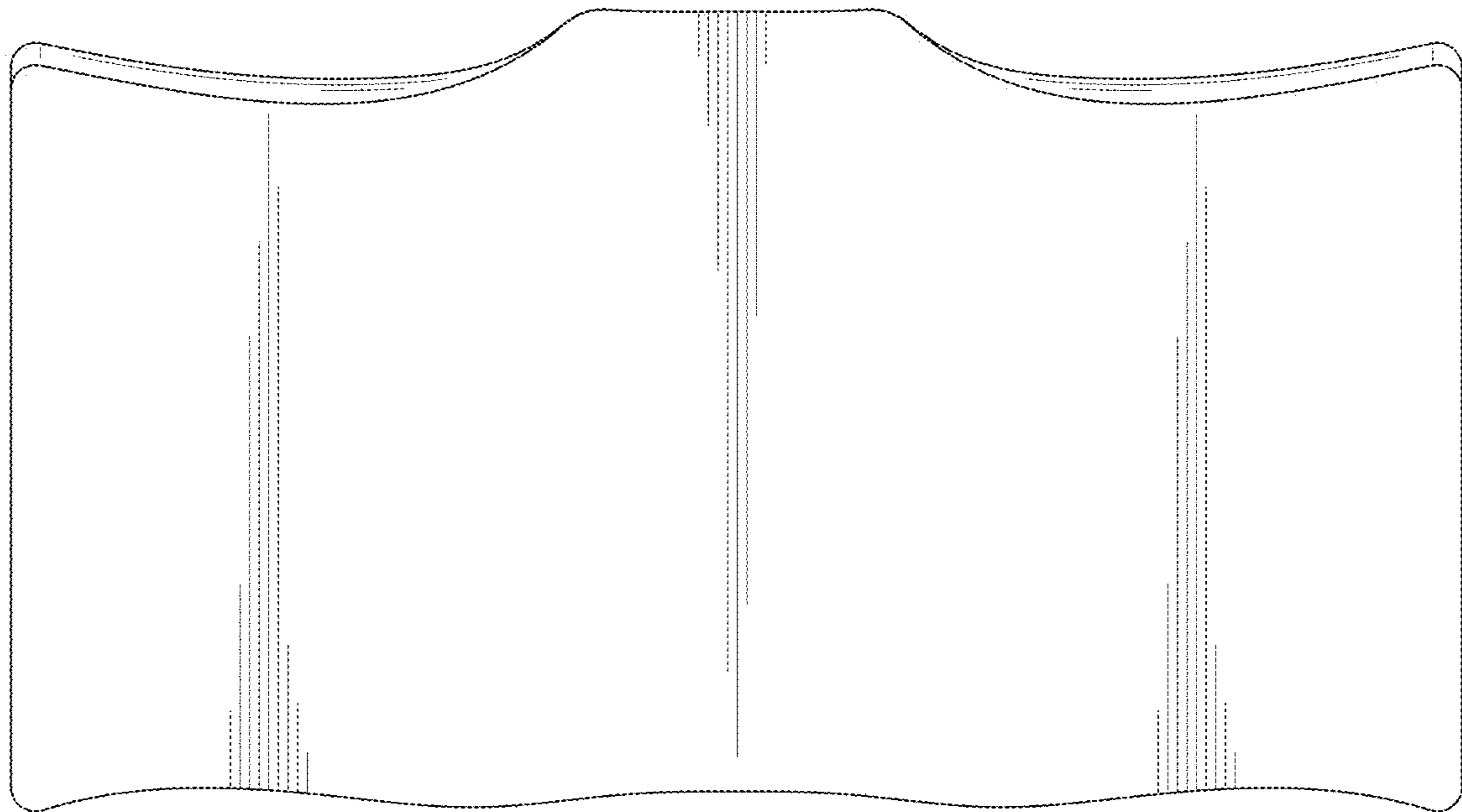


FIG. 8

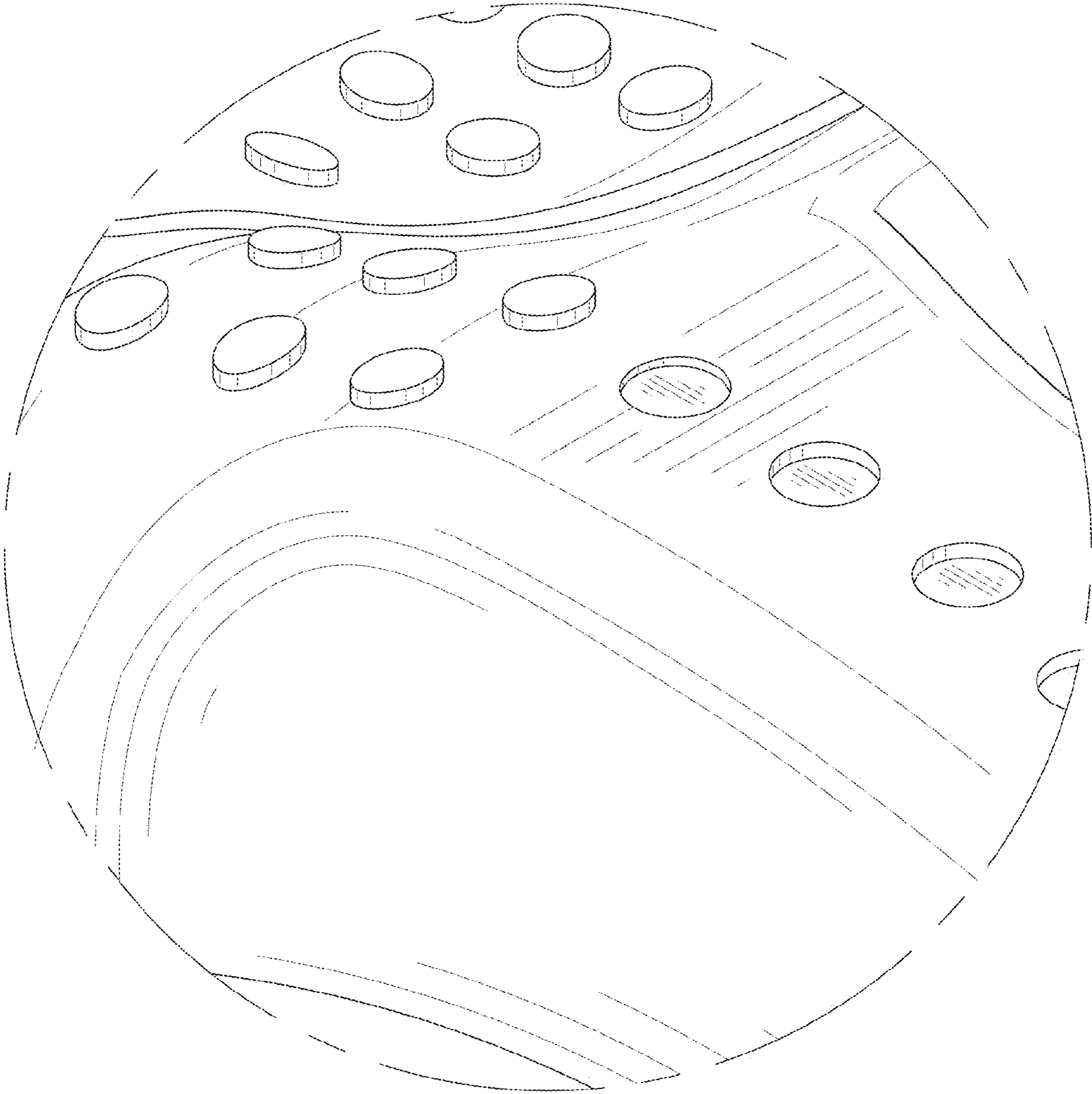


FIG. 9