



US00D939857S

(12) **United States Design Patent** (10) **Patent No.:** **US D939,857 S**
Dains et al. (45) **Date of Patent:** **** Jan. 4, 2022**

(54) **BASEBALL BAT HOLDER**
(71) Applicant: **Dains Custom Athletic Lockers, LLC**, Schell City, MO (US)
(72) Inventors: **Stephen B. Dains**, Pleasant Hill, MO (US); **Vanness D. Emokpae**, Pleasant Hill, MO (US)
(73) Assignee: **Dains Custom Athletic Lockers, LLC**, Schell City, MO (US)
(**) Term: **15 Years**
(21) Appl. No.: **29/719,323**
(22) Filed: **Jan. 2, 2020**
(51) **LOC (13) Cl.** **08-05**
(52) **U.S. Cl.**
USPC **D6/552**
(58) **Field of Classification Search**
USPC D6/552, 553, 567, 572; D8/380, 367; 43/21, 21.2; 211/13.1, 60.1, 64, 70.2, 211/70.6, 70.8, 65, 68, 69, 69.8, 89, 94; 248/512, 520, 538, 316.7
CPC . A63B 71/0045; A63B 60/60; A63B 2102/18; A63B 71/00
See application file for complete search history.

D347,538 S * 6/1994 Fleischer D28/73
D356,002 S * 3/1995 Morgan D6/552
D394,601 S * 5/1998 Mesna D8/367
D424,413 S * 5/2000 Laga D8/372
D455,643 S * 4/2002 Aubin D6/553
D472,091 S * 3/2003 Bell D6/552
D497,306 S * 10/2004 Anderson D8/372
D560,088 S * 1/2008 Tracy D6/552
D567,560 S * 4/2008 Byers D6/553
D580,693 S * 11/2008 Cotilletta D6/553
7,661,917 B2 * 2/2010 Horvath F16B 25/0026 411/400
D711,213 S * 8/2014 Schorn D8/373
D733,325 S * 6/2015 Robinson, Jr. D25/68
D781,683 S * 3/2017 Yi D8/354
D802,402 S * 11/2017 Hintze D8/367
D817,026 S * 5/2018 Sammut D6/552
D822,464 S * 7/2018 Kwiatkowski D8/367

* cited by examiner

Primary Examiner — Nathan M Johnston
(74) *Attorney, Agent, or Firm* — Luedeka Neely Group, PC

(57) **CLAIM**

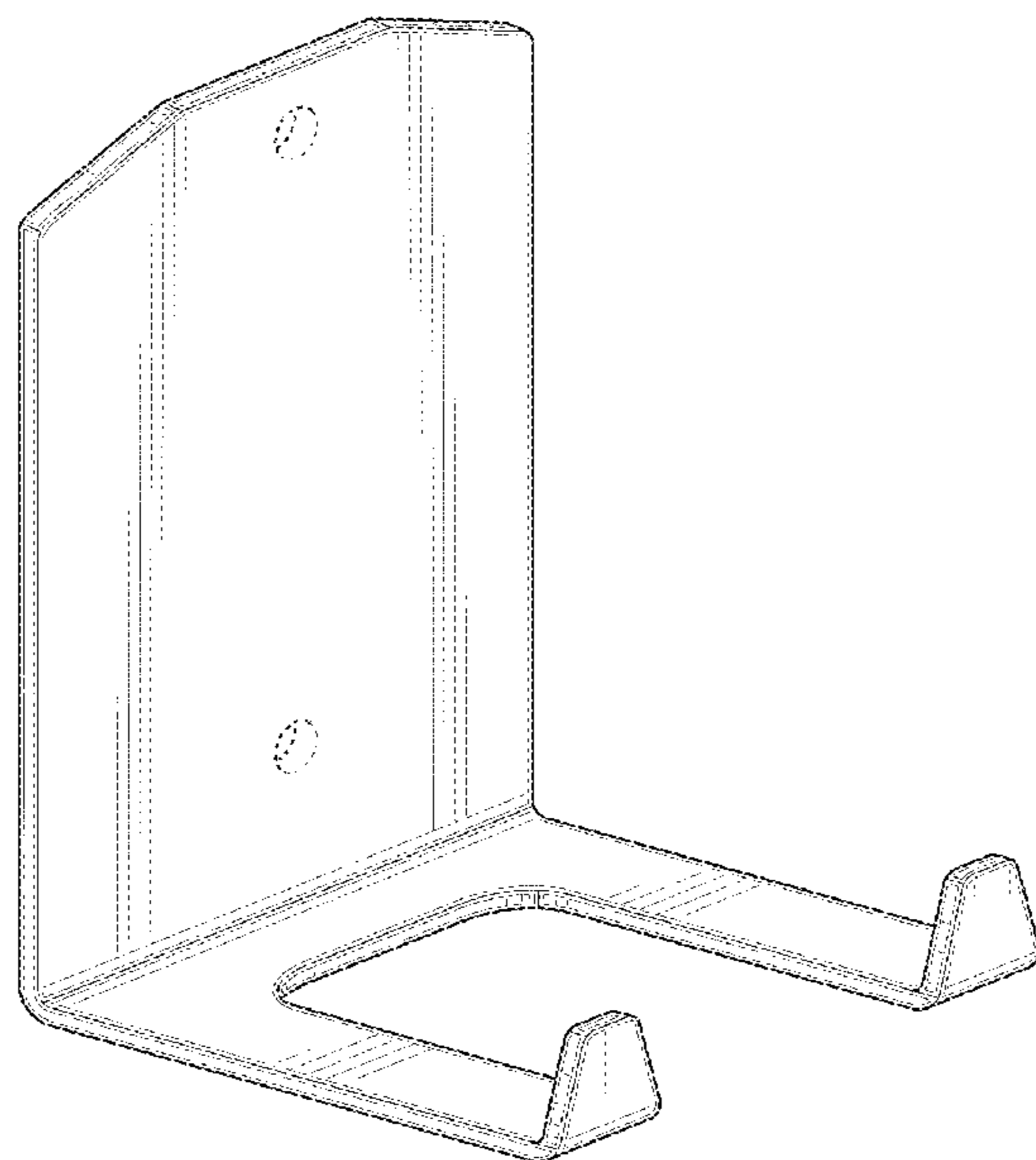
The ornamental design for a baseball bat holder, as shown and described.

DESCRIPTION

FIG. 1 is a perspective view of a baseball bat holder of our new design.
FIG. 2 is a front plan view of the holder of FIG. 1.
FIG. 3 is a rear plan view of the holder of FIG. 1.
FIG. 4 is a left side view of the holder of FIG. 1.
FIG. 5 is a right side of the holder of FIG. 1.
FIG. 6 is a top view of the holder of FIG. 1; and,
FIG. 7 is a bottom view of the holder of FIG. 1.
The broken lines in the drawings are included for the purpose of illustrating unclaimed features and form no part of the claimed design.

1 Claim, 4 Drawing Sheets

(56) **References Cited**
U.S. PATENT DOCUMENTS
D231,422 S * 4/1974 Berend D6/567
D243,426 S * 2/1977 Joslyn D6/567
D272,023 S * 1/1984 Mayer D6/540
D296,520 S * 7/1988 Spinetta 248/312
D300,406 S * 3/1989 Bordian 248/304
D305,431 S * 1/1990 Adams D6/567
D312,385 S * 11/1990 Hamann D8/367
D312,960 S * 12/1990 Embree D6/572
D323,777 S * 2/1992 Knox, III 248/237



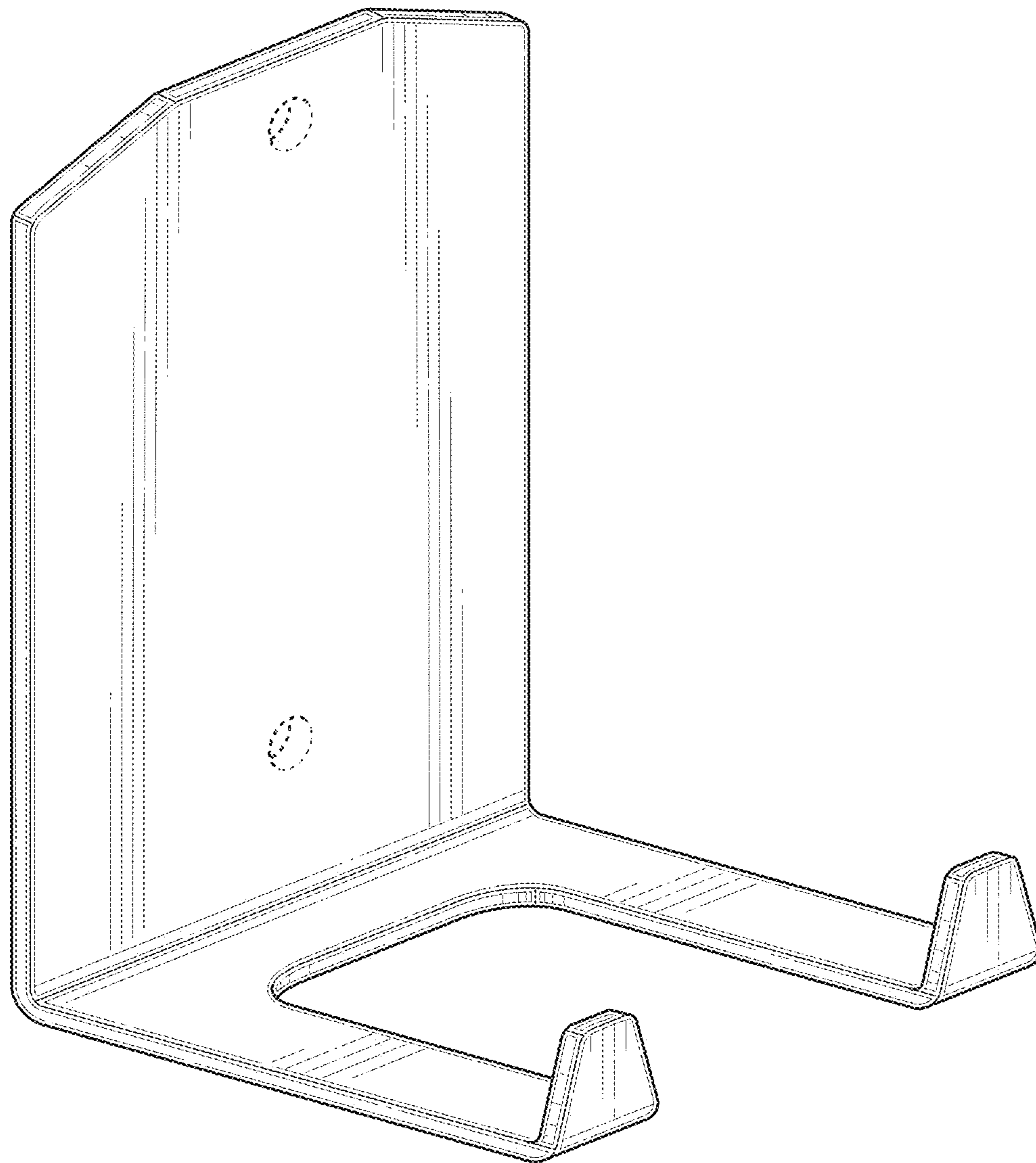


FIG. 1

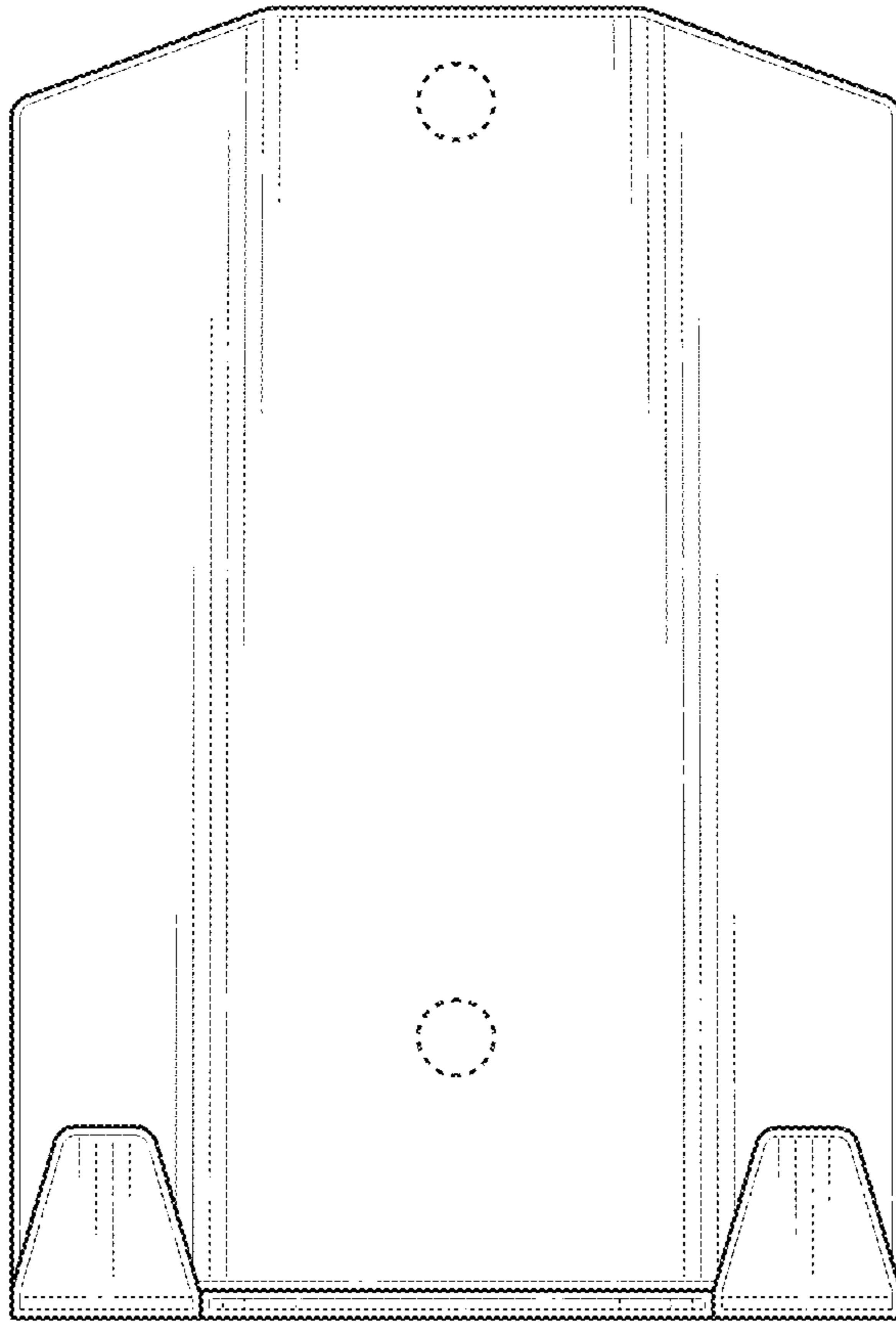


FIG. 2

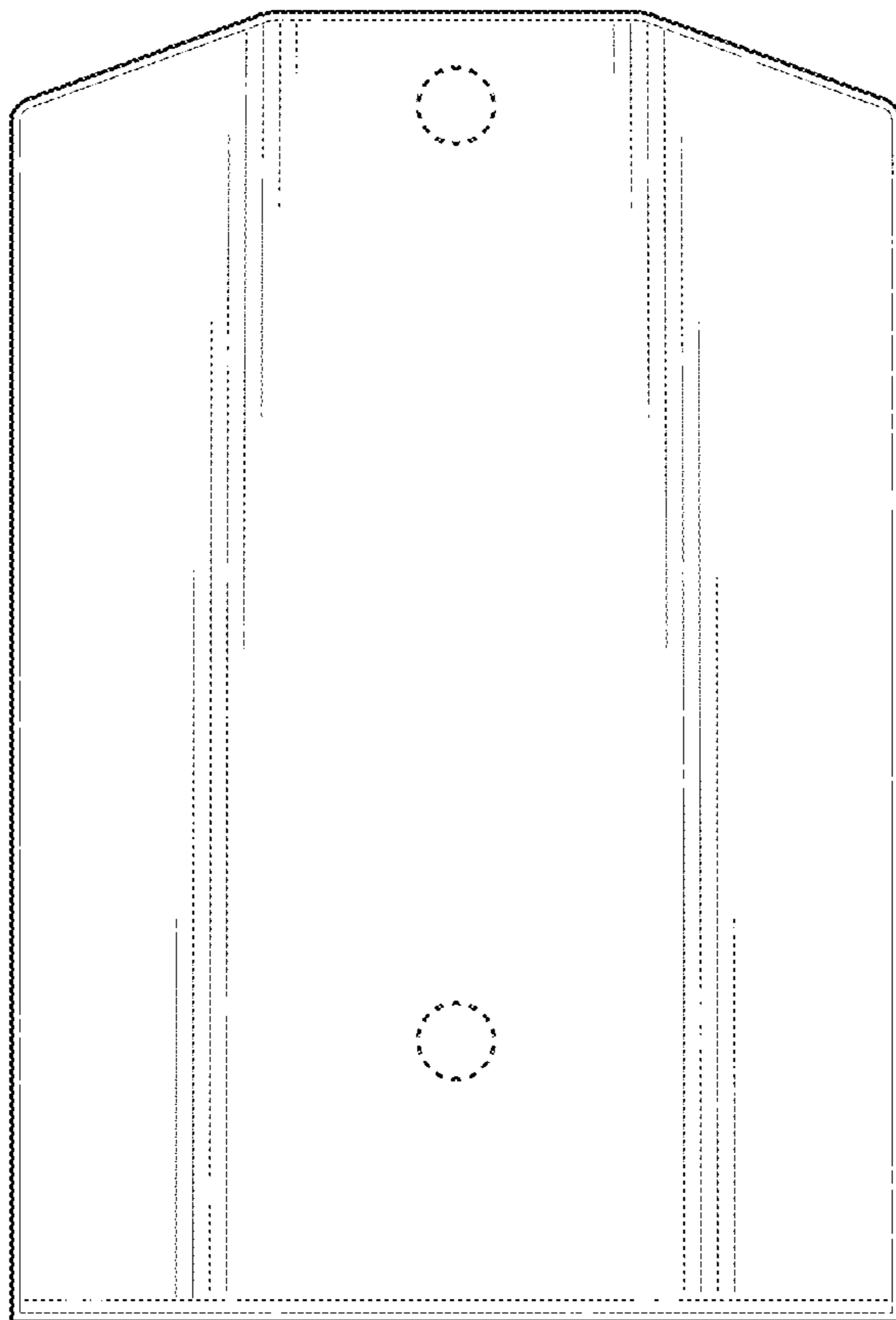


FIG. 3

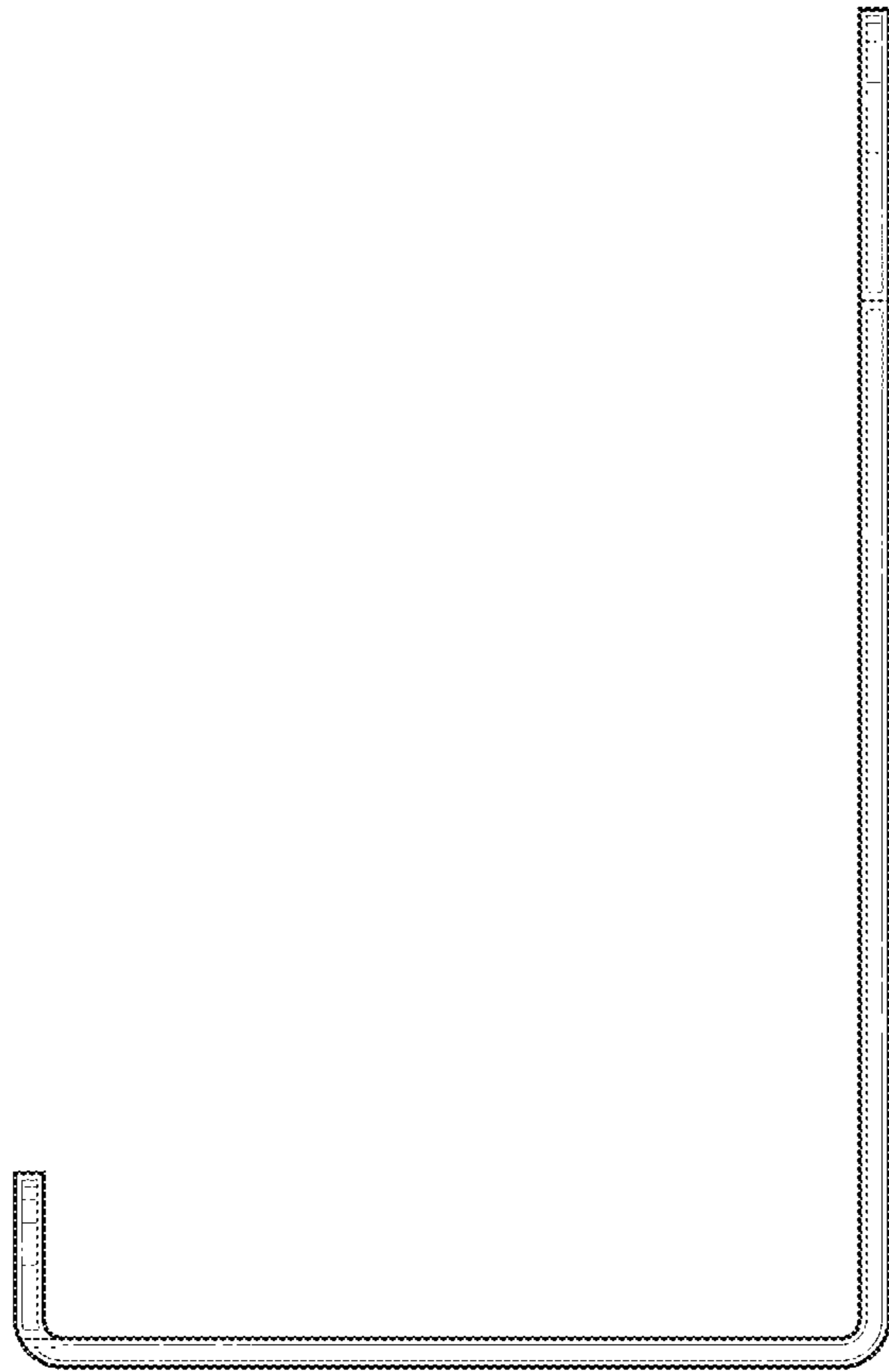


FIG. 4

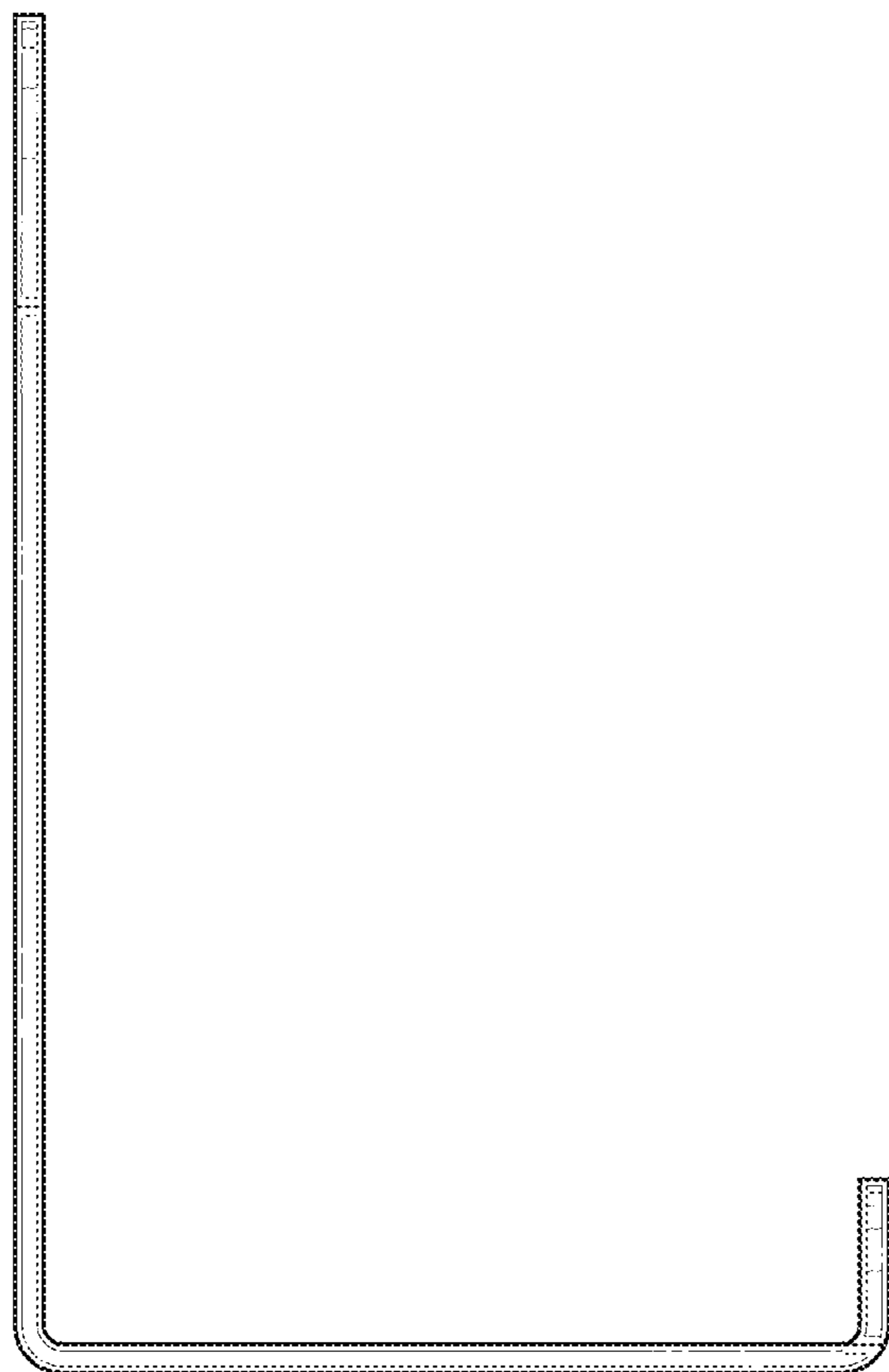


FIG. 5

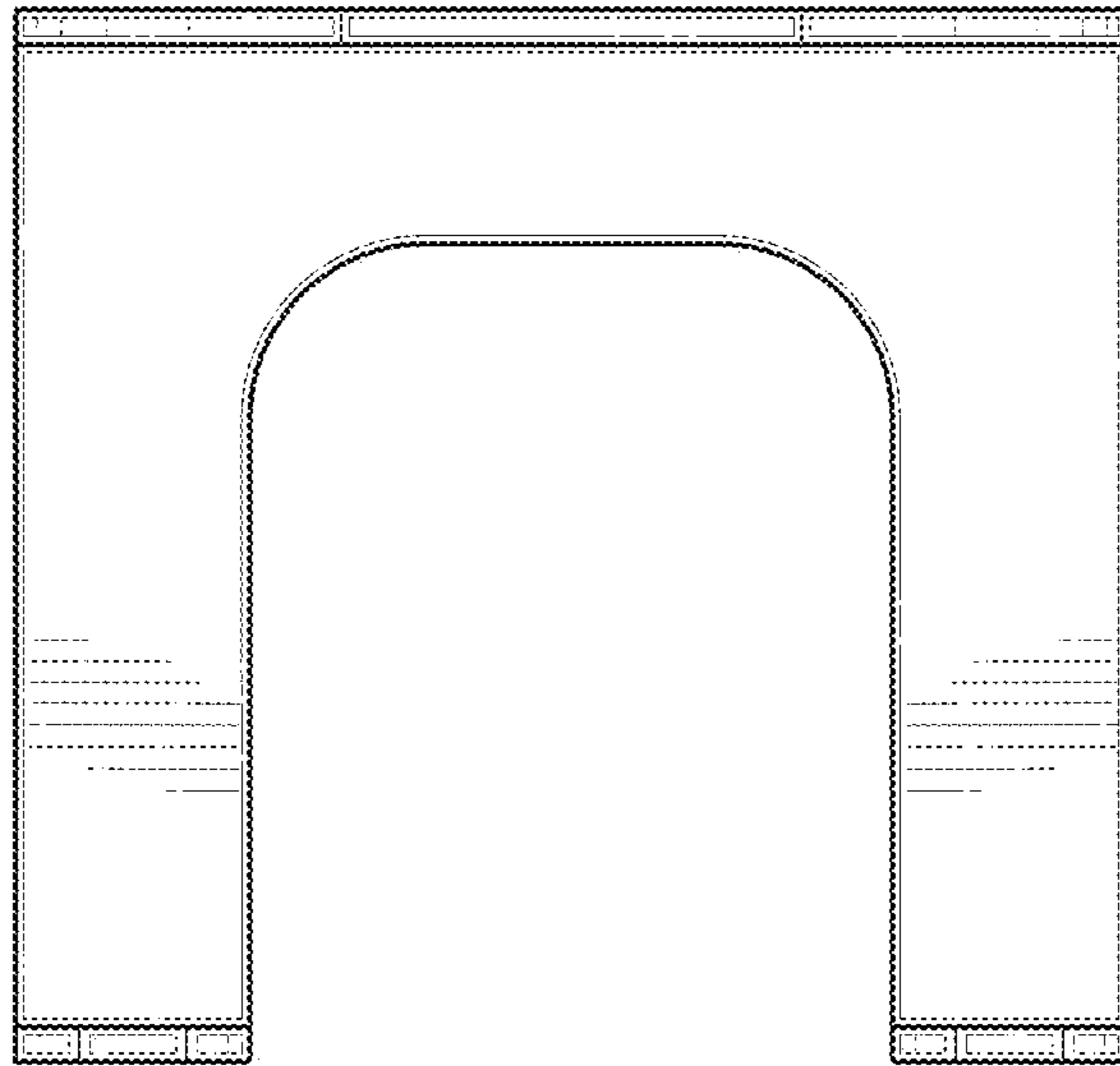


FIG. 6

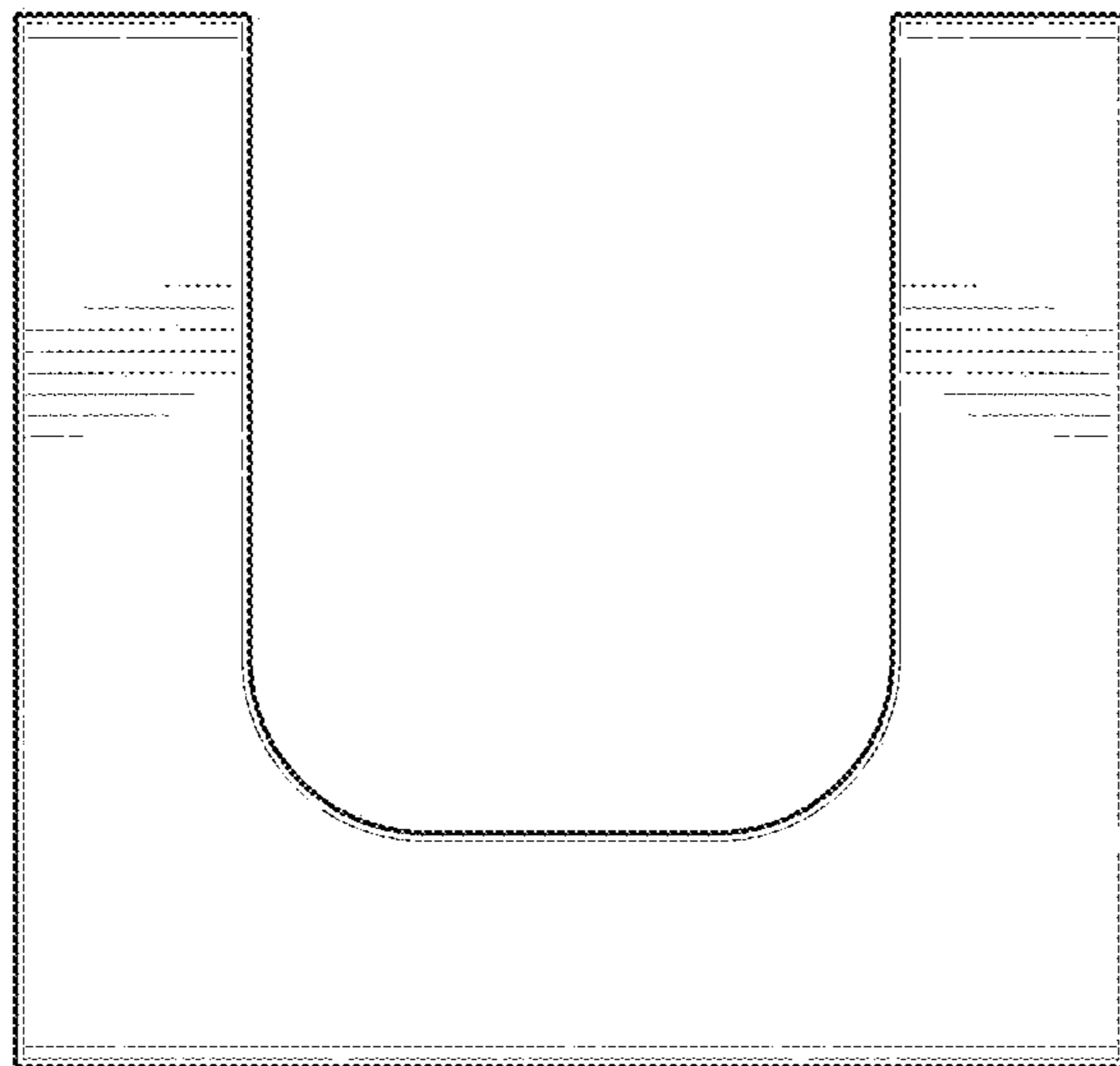


FIG. 7