



US00D939854S

(12) **United States Design Patent**
Smullen et al.

(10) **Patent No.:** **US D939,854 S**
(45) **Date of Patent:** **** Jan. 4, 2022**

- (54) **PORTABLE OFFICE IN-A-BOX**
- (71) Applicant: **South Winston LLC**, Delray Beach, FL (US)
- (72) Inventors: **Richard Adam Smullen**, Delray Beach, FL (US); **Jose Margulis**, Miami, FL (US); **Ilma Zubakhina**, Miami, FL (US)
- (73) Assignee: **WORKY LIFE LLC**, Miami, FL (US)
- (**) Term: **15 Years**
- (21) Appl. No.: **29/754,141**
- (22) Filed: **Oct. 7, 2020**

Related U.S. Application Data

- (63) Continuation-in-part of application No. 17/000,361, filed on Aug. 23, 2020.
- (51) **LOC (13) Cl.** **06-06**
- (52) **U.S. Cl.**
USPC **D6/406.3**
- (58) **Field of Classification Search**
USPC D6/406.3, 406.5, 406.6, 419, 339, 511;
D19/92; D3/242, 273-274, 276, 284,
D3/290, 900
CPC A47B 17/00; A47B 17/02; A47B 23/00;
A47B 23/002; A47B 23/04; A45C 3/02;
A45C 5/03; A45C 5/032
See application file for complete search history.

References Cited

U.S. PATENT DOCUMENTS

- D202,250 S * 9/1965 Hauser D3/274
- D237,021 S * 9/1975 Chilewich D3/292
- D250,973 S * 1/1979 Ramsey D3/274
- D296,497 S * 7/1988 Kime D3/282
- D303,186 S * 9/1989 Mills D6/406.3
- D344,074 S * 2/1994 Collins D3/274

- D364,503 S * 11/1995 Johnson D3/273
- D380,611 S * 7/1997 Mancusi D13/119
- 5,839,553 A * 11/1998 Dorsam A45C 3/02
190/109
- D414,751 S * 10/1999 Yogalingam D14/335
- 5,977,876 A * 11/1999 Coleman A45C 13/10
340/539.1

(Continued)

Primary Examiner — Kelley A Donnelly

(74) *Attorney, Agent, or Firm* — Ashok Tankha

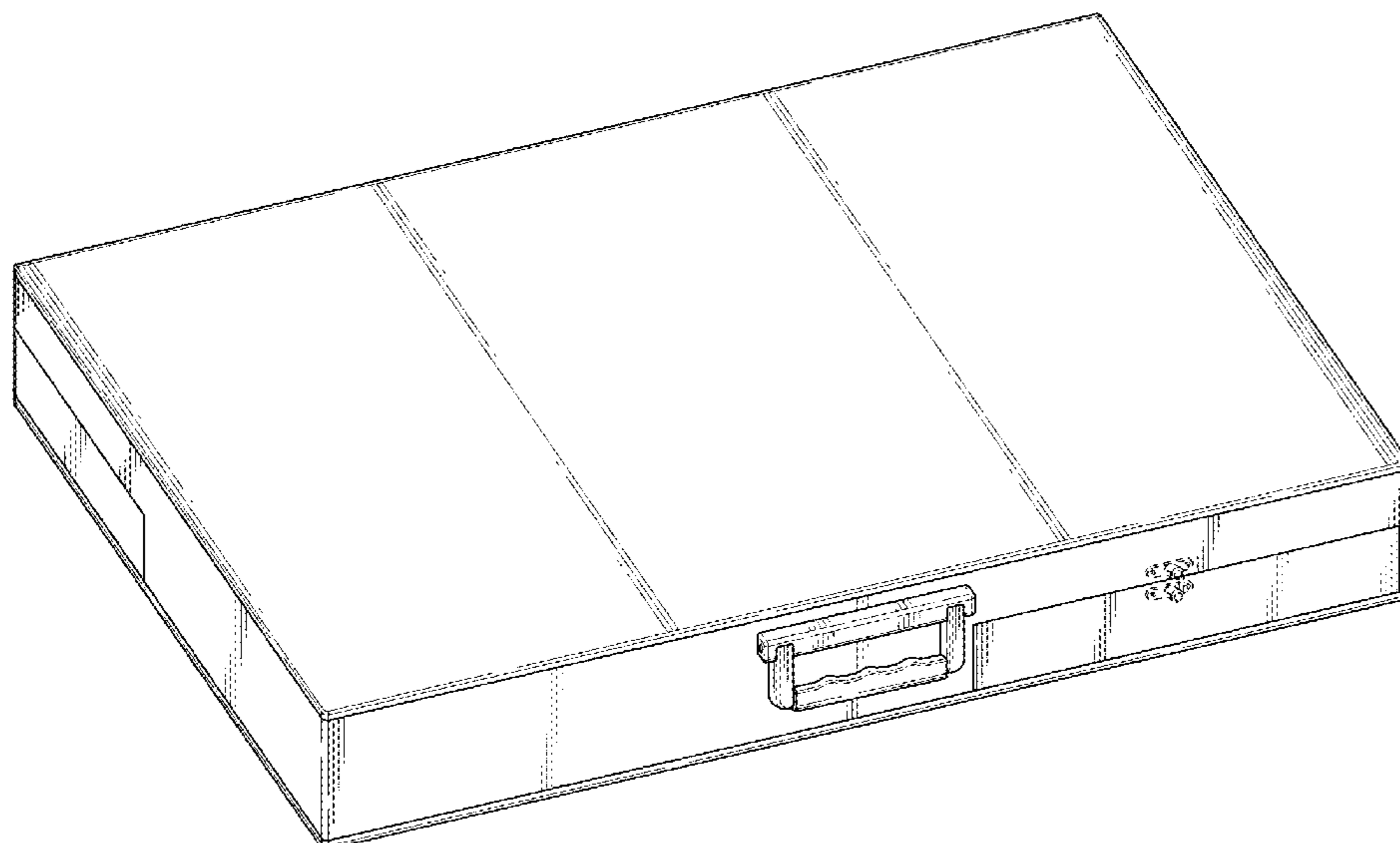
(57) **CLAIM**

The ornamental design for a portable office in-a-box, as shown and described.

DESCRIPTION

FIG. 1 illustrates a front left-side top perspective view of a portable office in-a-box;
 FIG. 2 illustrates a rear left-side bottom perspective view thereof;
 FIG. 3 illustrates a front view thereof;
 FIG. 4 illustrates a rear view thereof;
 FIG. 5 illustrates a left-side view thereof;
 FIG. 6 illustrates a right-side view thereof;
 FIG. 7 illustrates a top view thereof;
 FIG. 8 illustrates a bottom view thereof;
 FIG. 9 illustrates a front left-side top perspective view of the portable office in-a-box in an open position;
 FIG. 10 illustrates another front left-side top perspective view of the portable office in-a-box in the open position;
 FIG. 11 illustrates a rear left-side perspective view of the portable office in-a-box in the open position; and,
 FIG. 12 illustrates a rear bottom right-side perspective view of the portable office in-a-box in the open position.
 The broken line showing of portions of the portable office in-a-box in FIGS. 1-3 and FIGS. 7-11, and articles inside the portable office in-a-box shown in FIG. 9 are for the purpose of illustrating environmental structure and form no part of the claimed design.

1 Claim, 12 Drawing Sheets



(56)

References Cited

U.S. PATENT DOCUMENTS

D418,327	S	*	1/2000	Sullins	D6/406.3
D432,303	S	*	10/2000	Wheat	D3/276
D613,060	S	*	4/2010	Sao	D3/288
D627,166	S	*	11/2010	Fahim	D3/287
8,851,439	B2	*	10/2014	Phifer	A47B 23/044
						248/460
D745,788	S	*	12/2015	Schreiter	D6/406.3
D883,665	S	*	5/2020	Agerbaek	D3/274

* cited by examiner

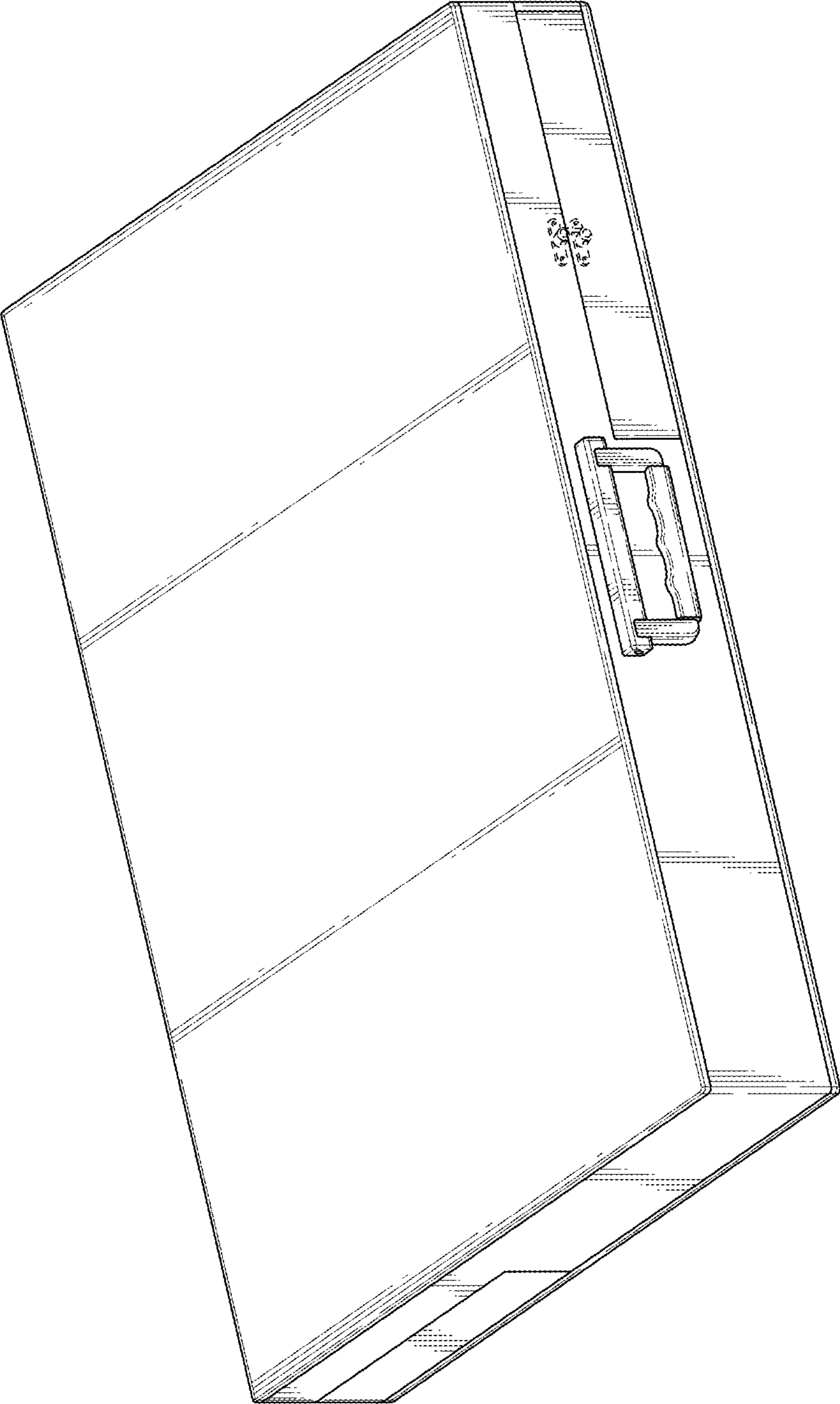


FIG. 1

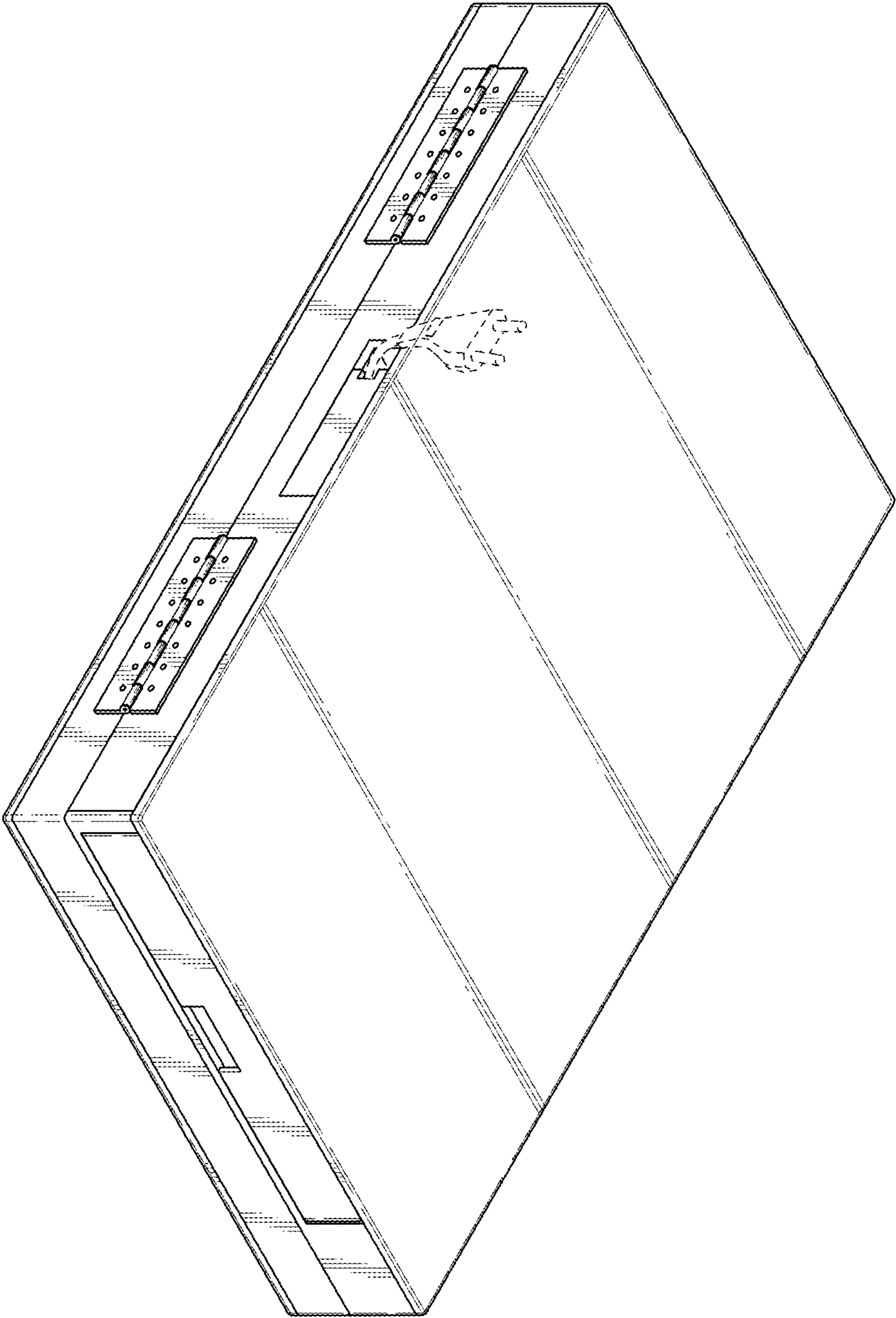


FIG. 2

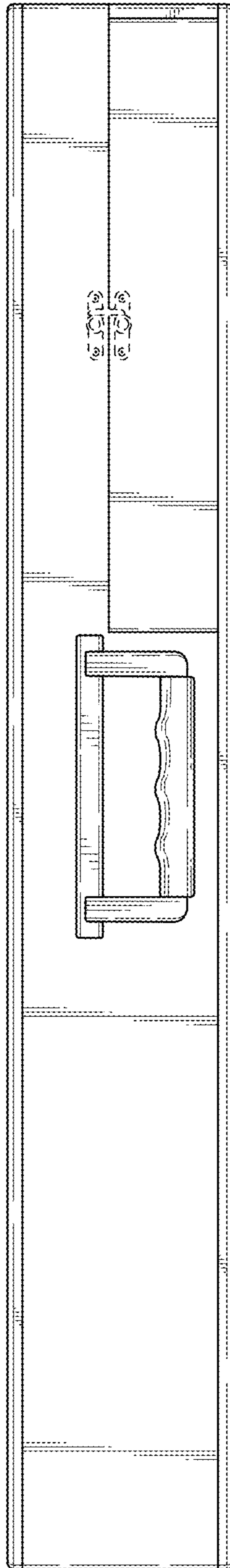


FIG. 3

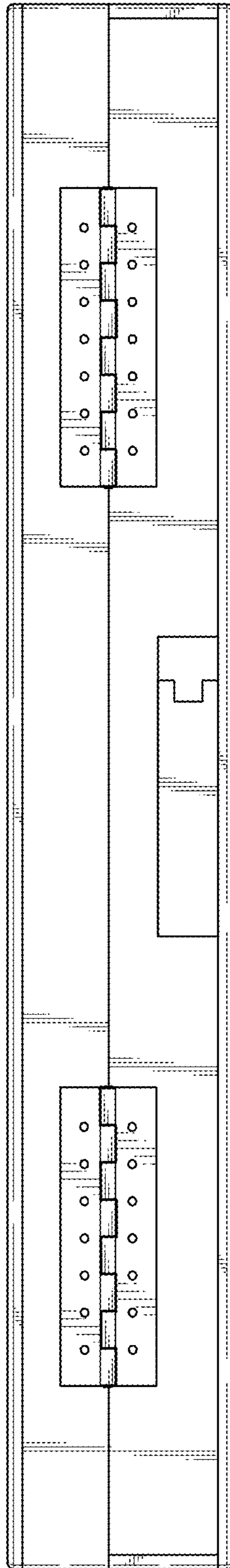


FIG. 4

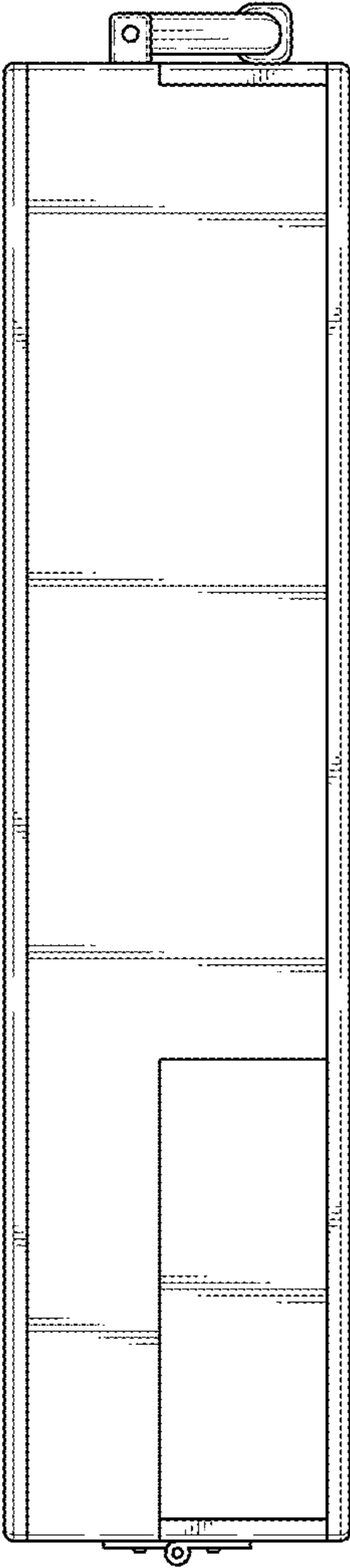


FIG. 5

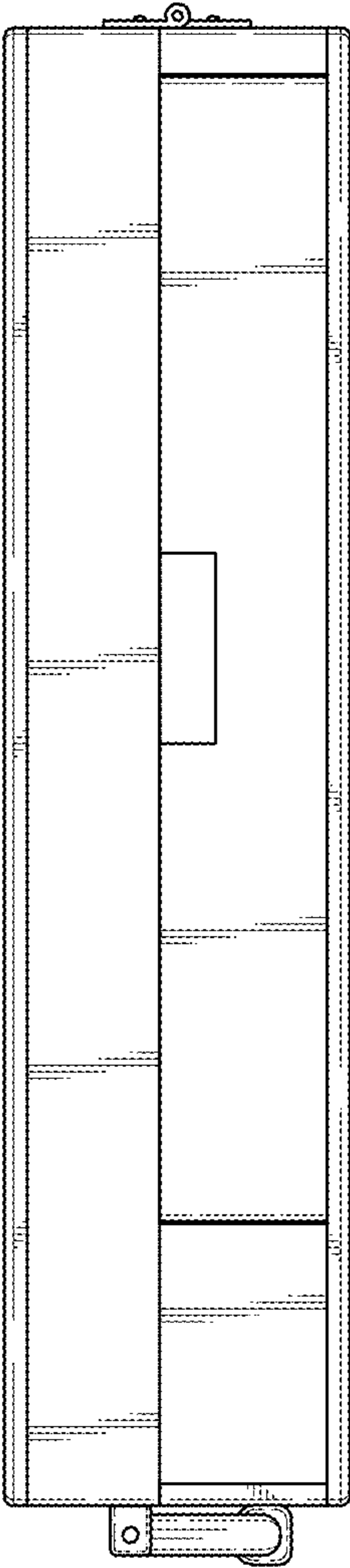


FIG. 6

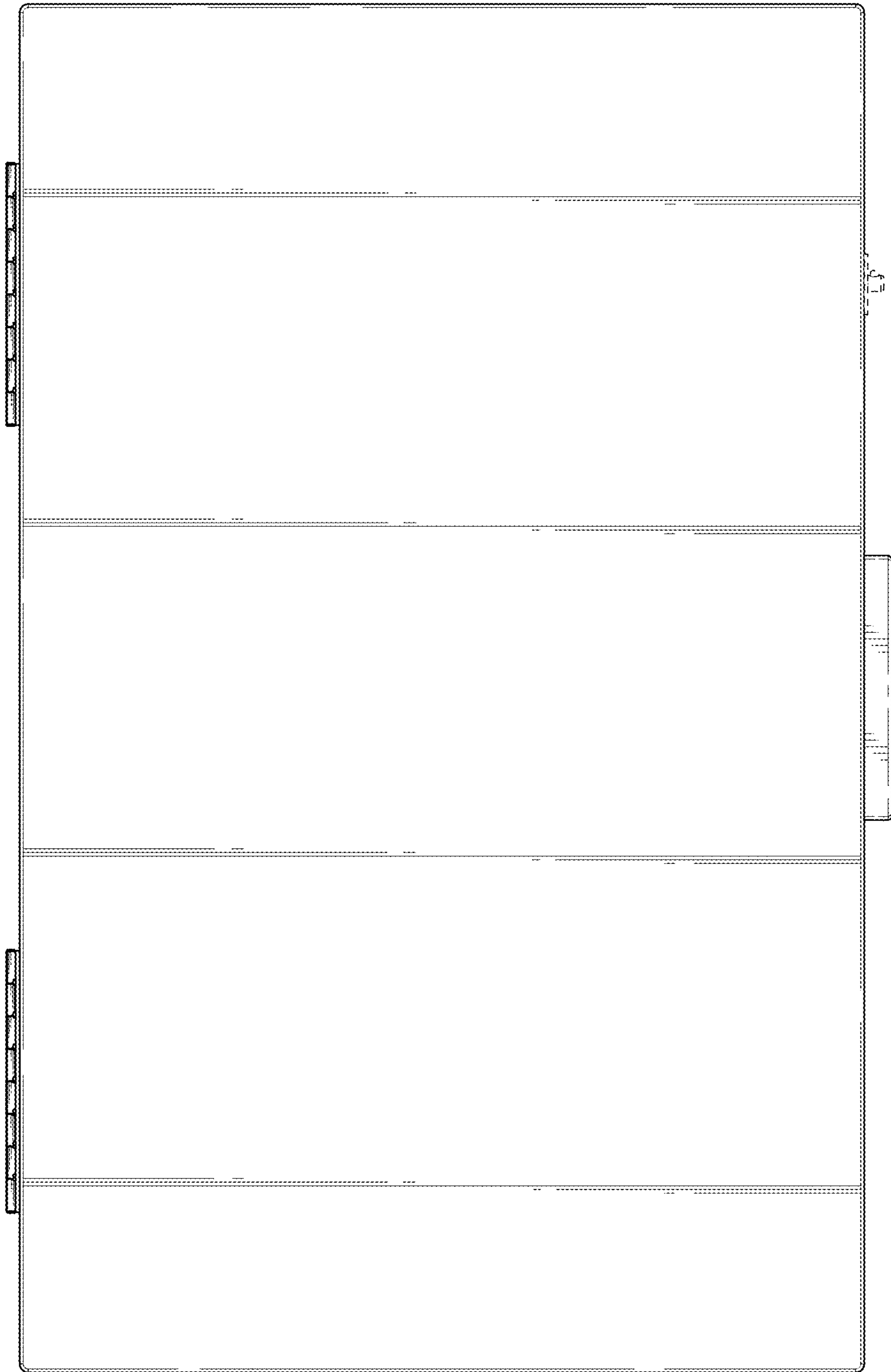


FIG. 7

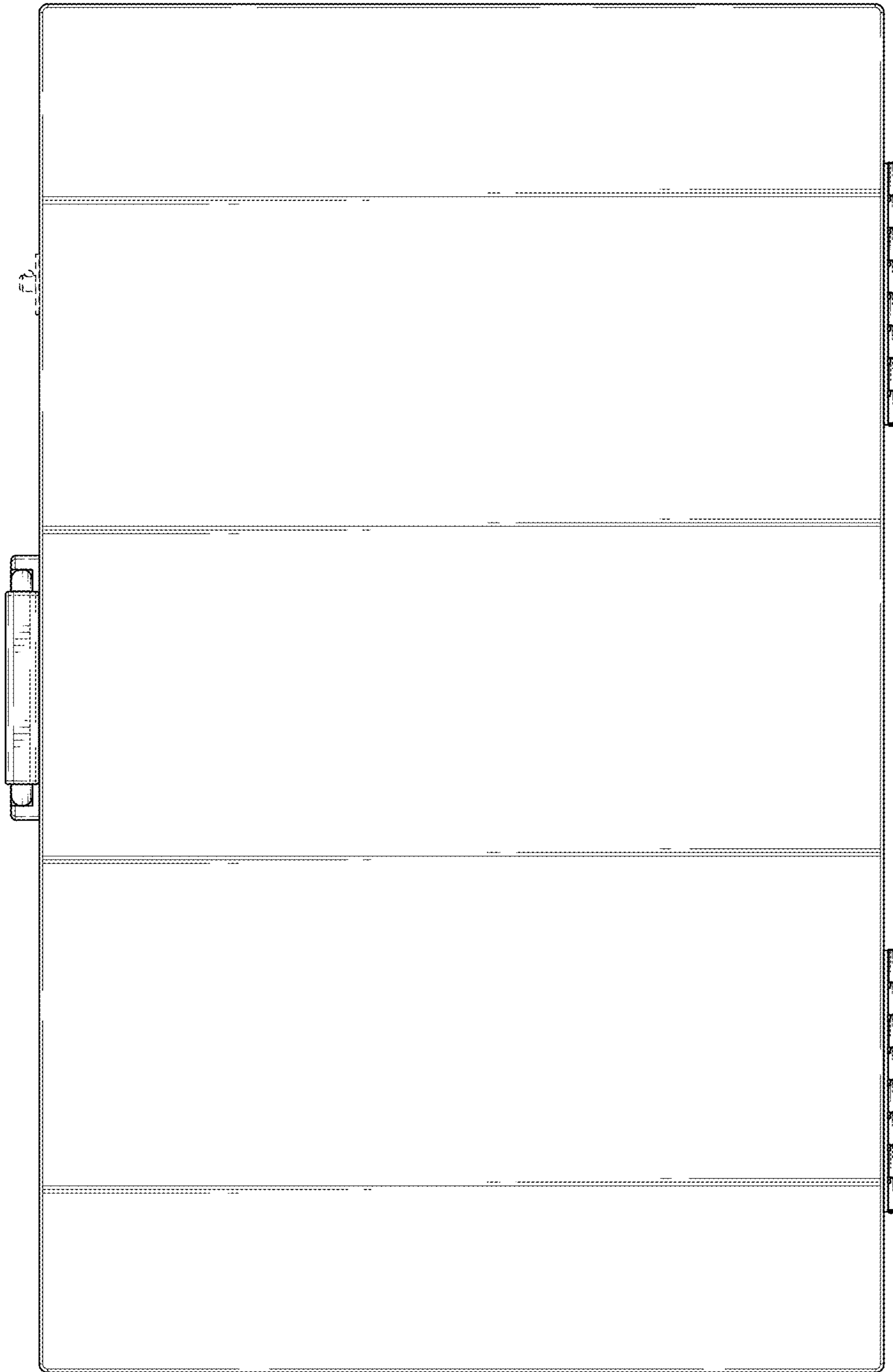


FIG. 8

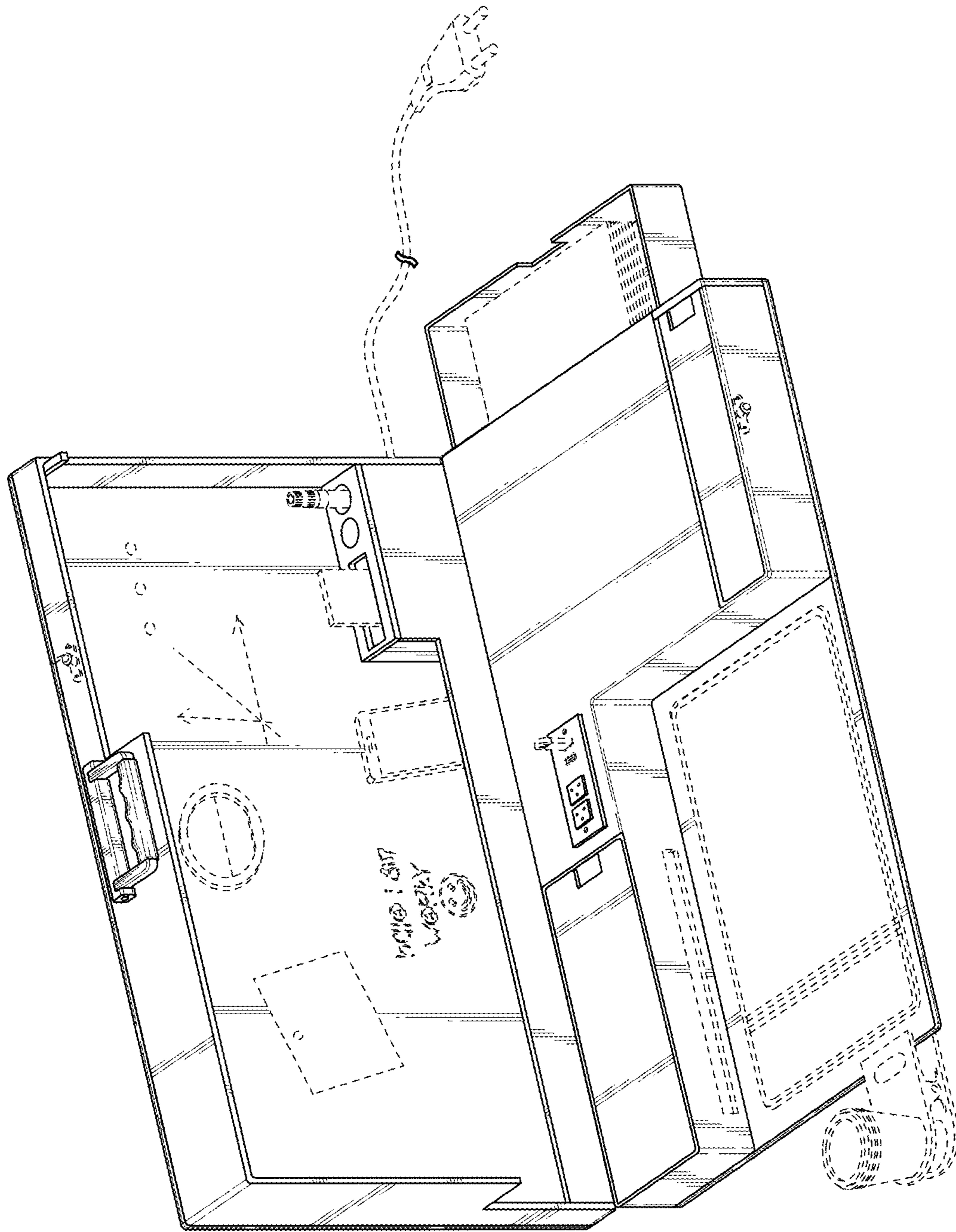


FIG. 9

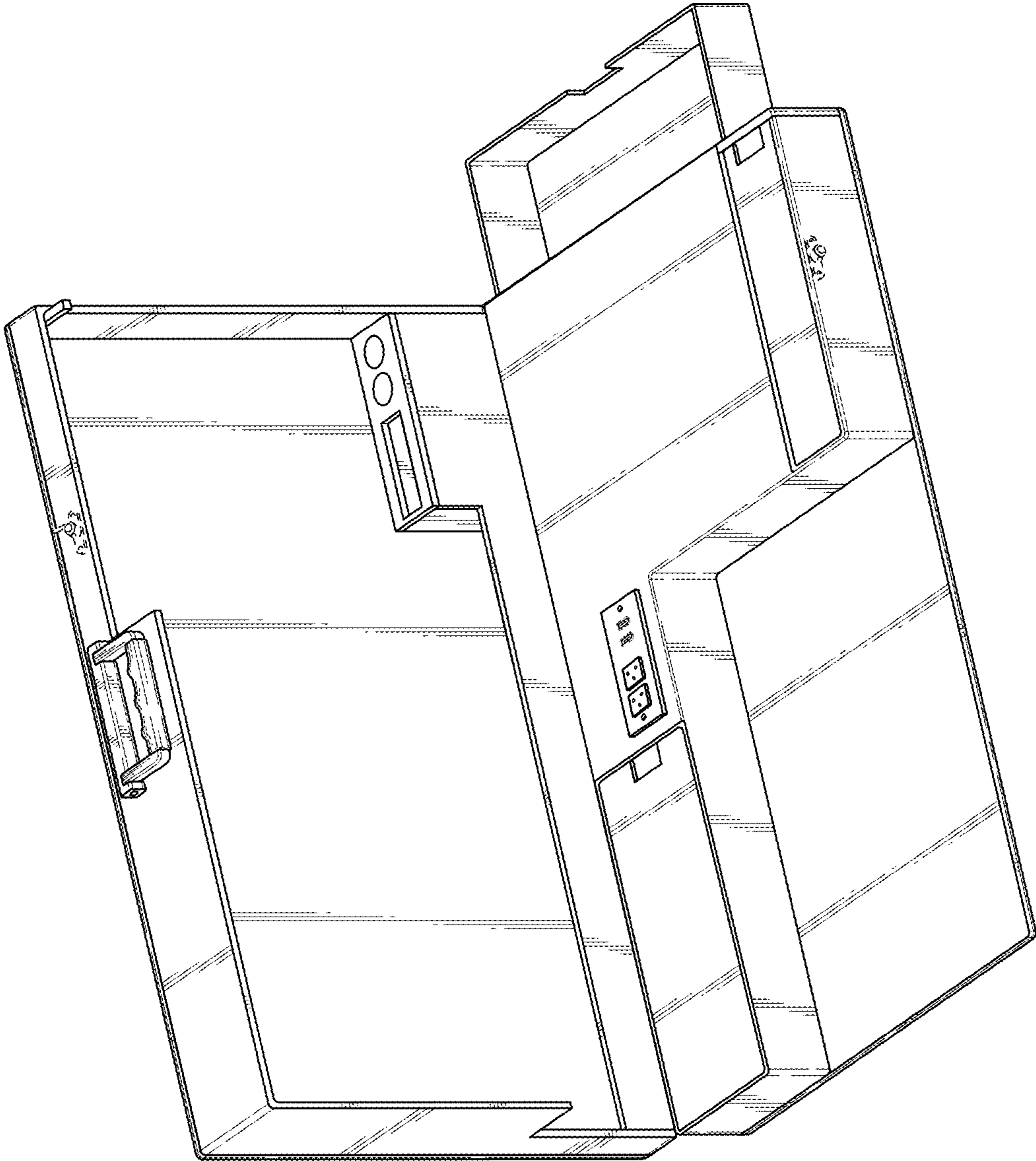
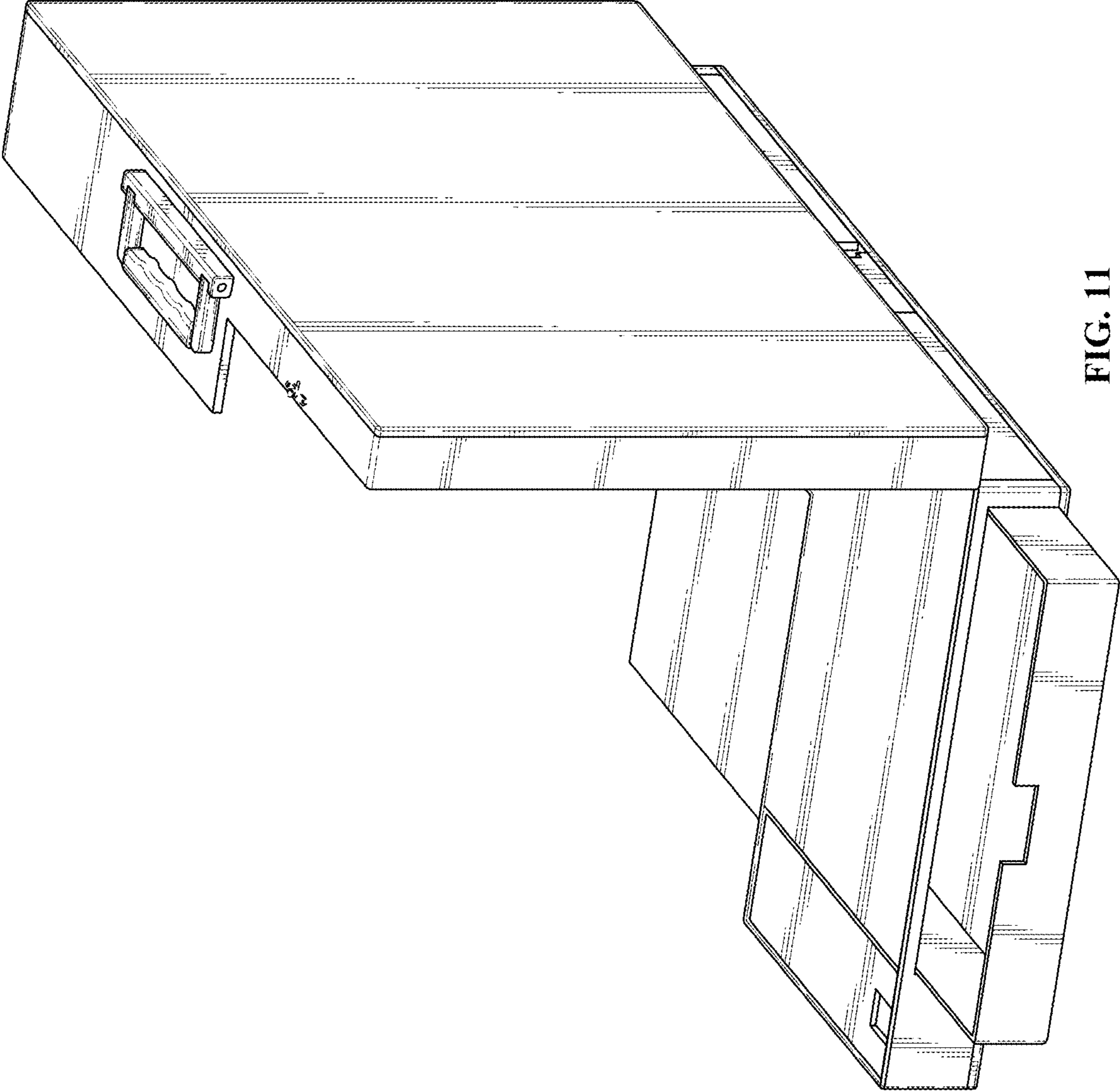


FIG. 10



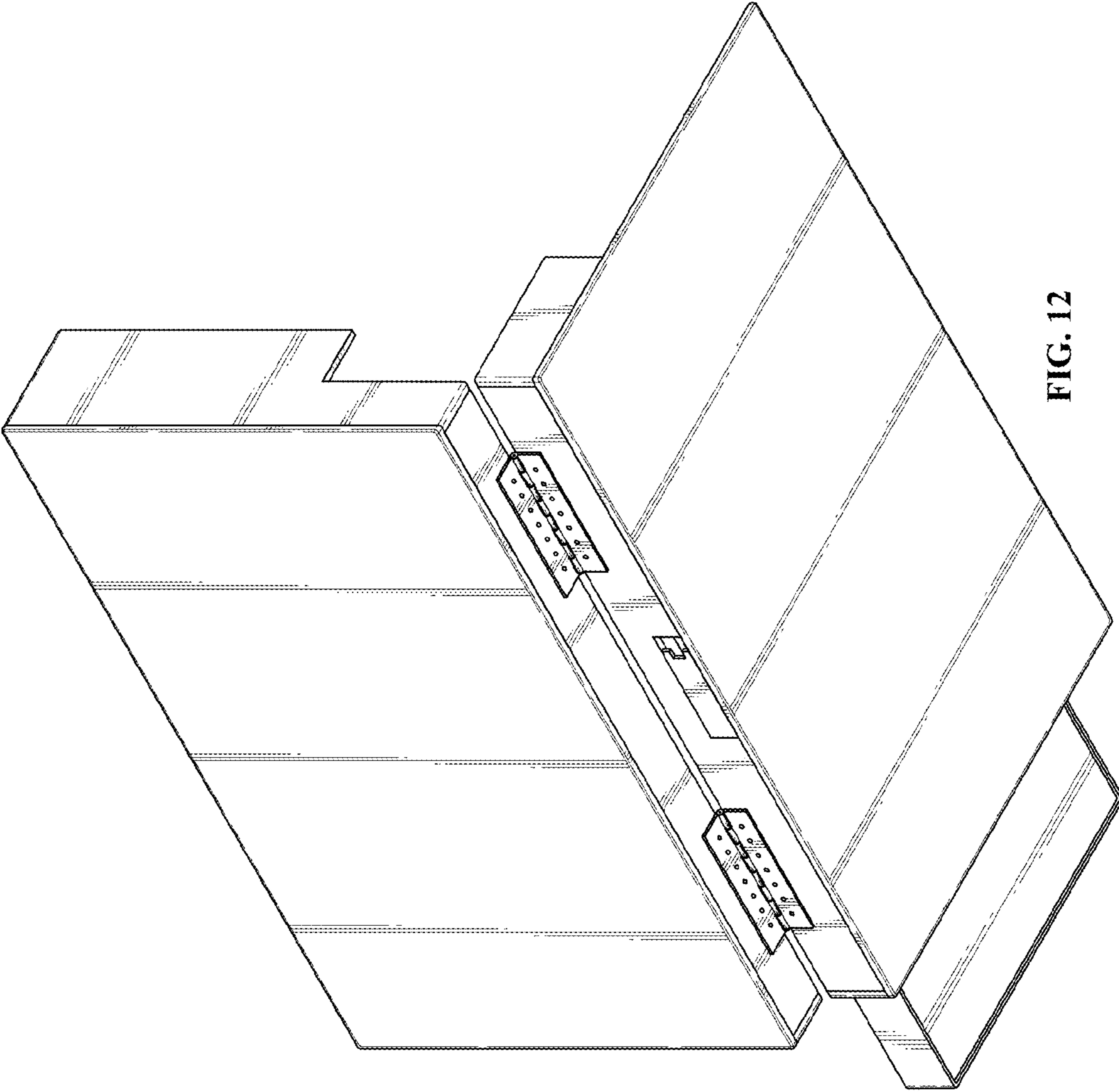


FIG. 12