



US00D939853S

(12) **United States Design Patent**
Schmitt

(10) **Patent No.:** **US D939,853 S**
(45) **Date of Patent:** **** Jan. 4, 2022**

- (54) **CHAIR**
- (71) Applicant: **Brandon N Schmitt**, Newport Beach, CA (US)
- (72) Inventor: **Brandon N Schmitt**, Newport Beach, CA (US)
- (73) Assignee: **AMINI INNOVATION CORPORATION**, Pico Rivera, CA (US)
- (**) Term: **15 Years**
- (21) Appl. No.: **29/754,627**
- (22) Filed: **Oct. 13, 2020**
- (51) **LOC (13) Cl.** **06-01**
- (52) **U.S. Cl.**
USPC **D6/380**
- (58) **Field of Classification Search**
USPC D6/369, 370, 374, 376, 379, 380;
D21/521
CPC A47C 3/021; A47C 31/11; A47C 4/00;
A47K 13/00; B60N 2/14
See application file for complete search history.

(56) **References Cited**

U.S. PATENT DOCUMENTS

D162,865 S *	4/1951	Niemann	D6/379
D289,469 S *	4/1987	Tonon	D6/379
D438,718 S *	3/2001	Hutton	D6/334
D457,345 S *	5/2002	Lewis	D6/380
D457,744 S *	5/2002	Lewis	D6/380
D461,065 S *	8/2002	Diaz-Azcuy	D6/369

D494,375 S *	8/2004	Starck	D6/374
D496,173 S *	9/2004	Starck	D6/360
D497,729 S *	11/2004	Peitz	D6/379
D515,330 S *	2/2006	Lucci	D6/380
D544,229 S *	6/2007	Bartlmae	D6/374
D544,236 S *	6/2007	Swy	D6/374
D610,379 S *	2/2010	Muller	D6/716.4
D644,849 S *	9/2011	Sienkowski	D6/716
D740,585 S *	10/2015	Tiet	D6/379
D740,586 S *	10/2015	Tiet	D6/379
D753,407 S *	4/2016	Kubryk	D6/380
10,098,462 B2 *	10/2018	Yao	A47C 4/03
D899,128 S *	10/2020	Sumlin	D6/374
D920,707 S *	6/2021	Sumlin	D6/379
2017/0119158 A1 *	5/2017	Pectol	A47C 4/024

* cited by examiner

Primary Examiner — Kevin K Rudzinski
Assistant Examiner — Paul D Bohannon
(74) *Attorney, Agent, or Firm* — Cislo & Thomas, LLP

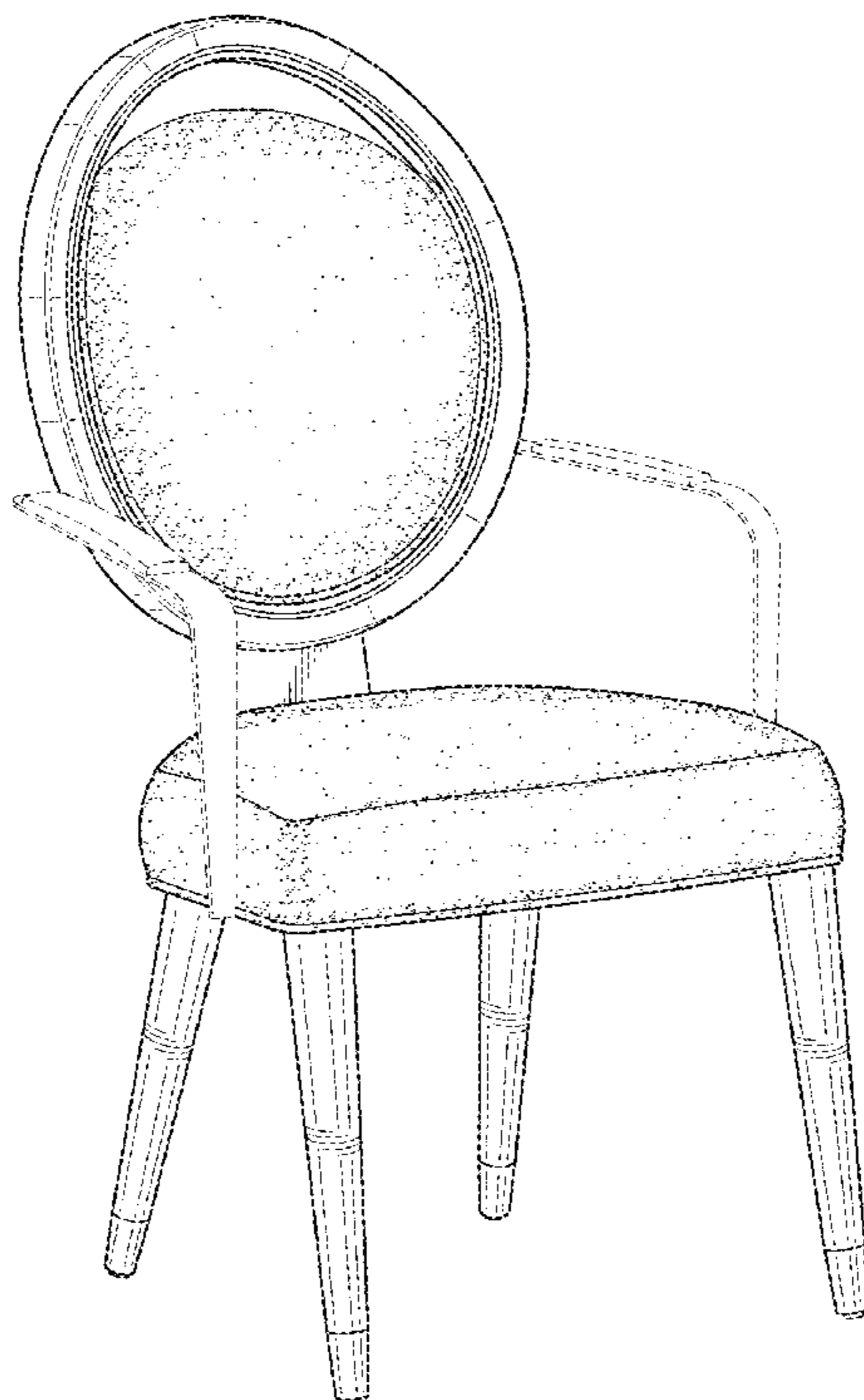
(57) **CLAIM**

I claim the ornamental design for a chair, as shown and described.

DESCRIPTION

FIG. 1 is a front perspective view of my chair;
FIG. 2 is a front view thereof;
FIG. 3 is a rear view thereof;
FIG. 4 is a right side view, the left side (not shown) is a mirror image thereof; and,
FIG. 5 is a top view of my chair.
The broken lines illustrate portions of the chair that form no part of the claimed design.

1 Claim, 5 Drawing Sheets



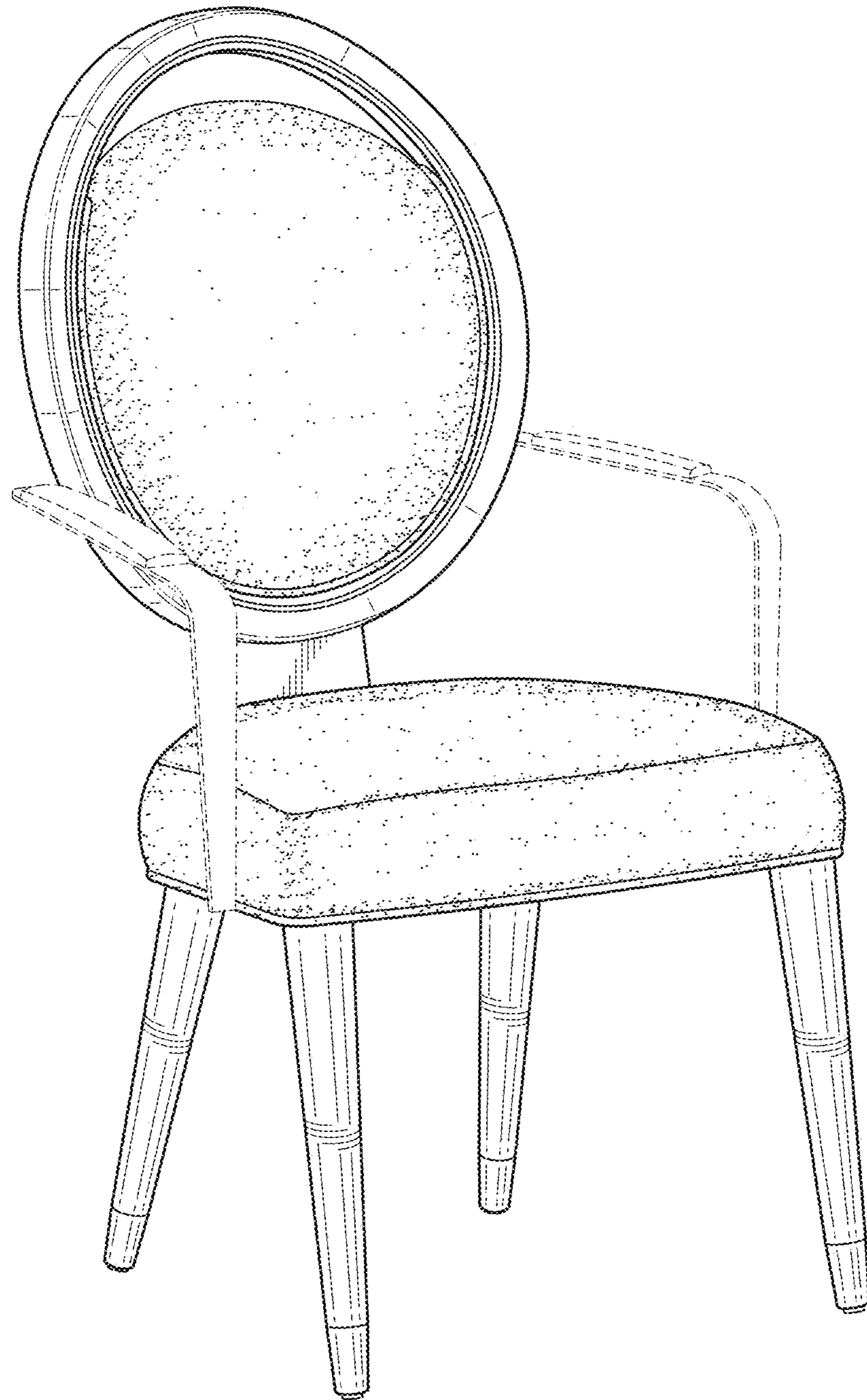


FIG. 1

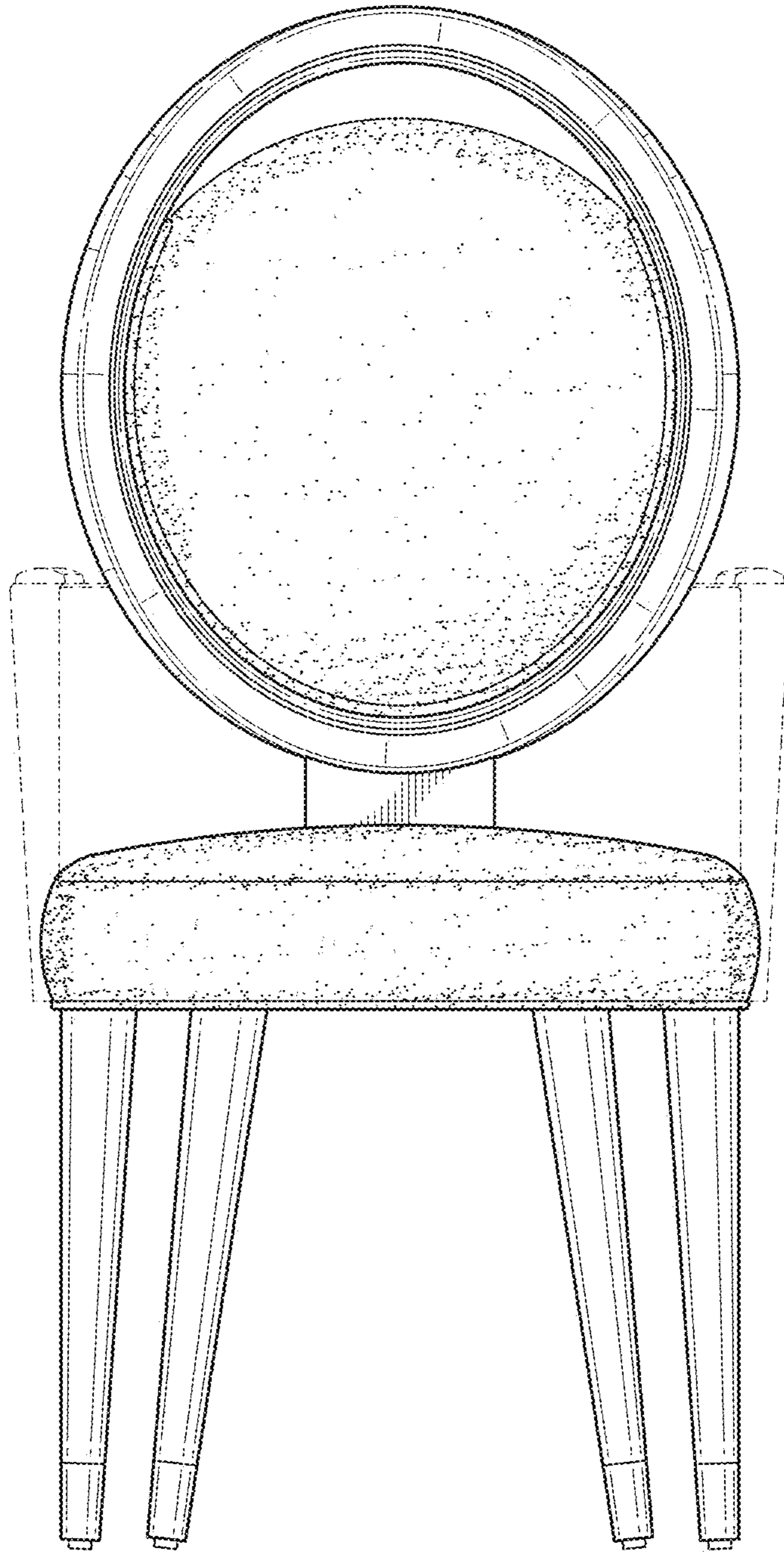


FIG. 2

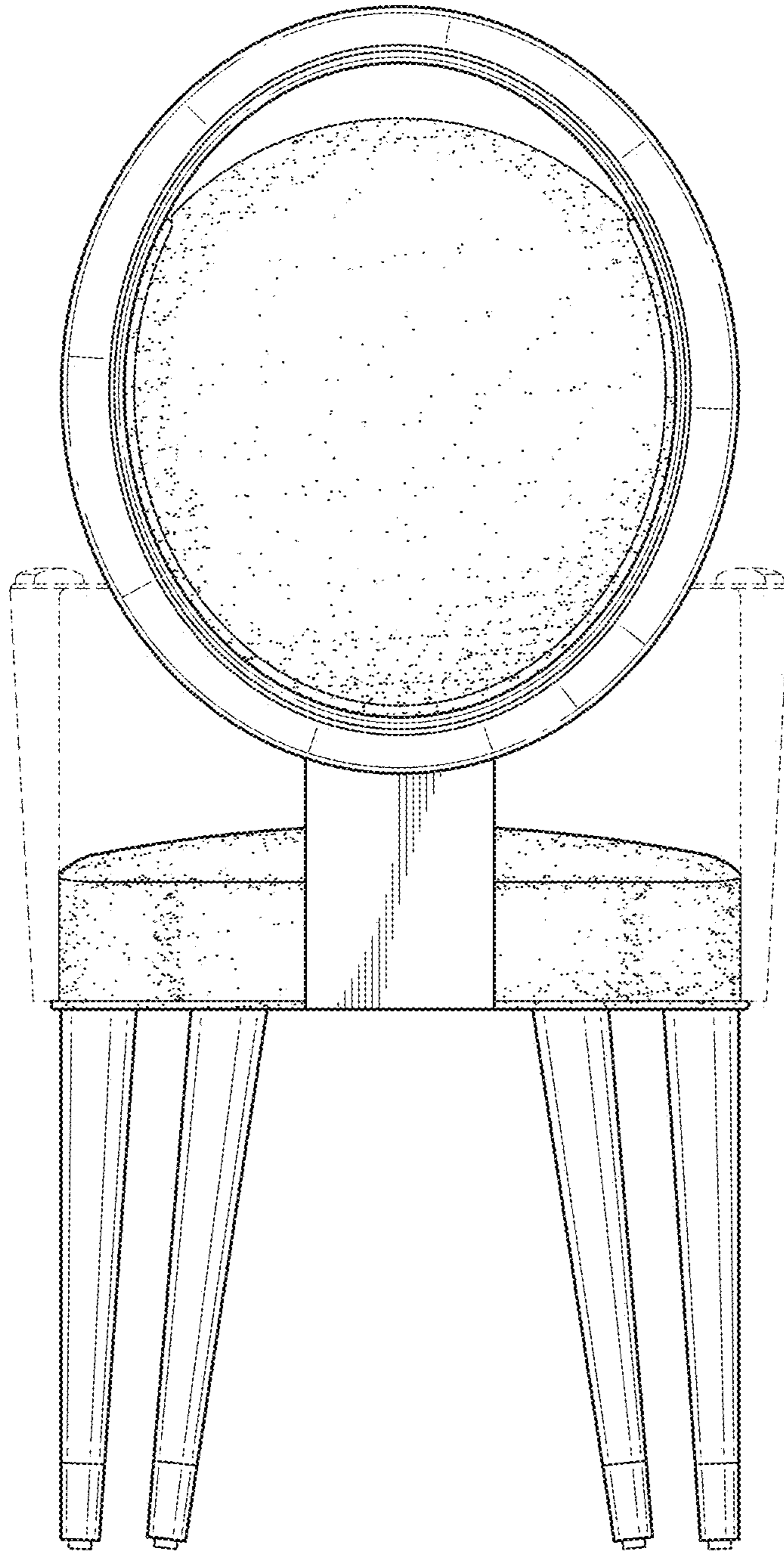


FIG. 3

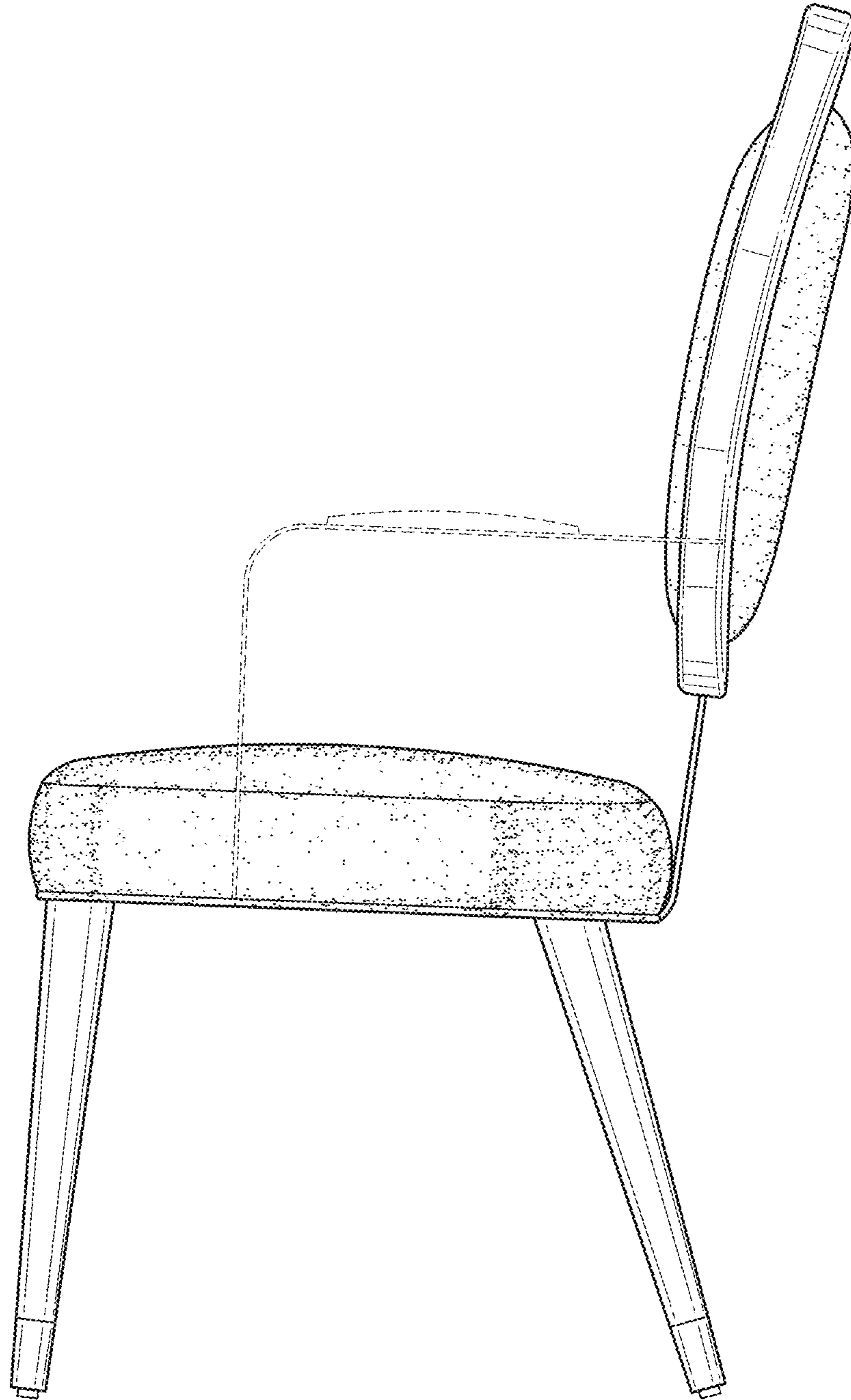


FIG. 4

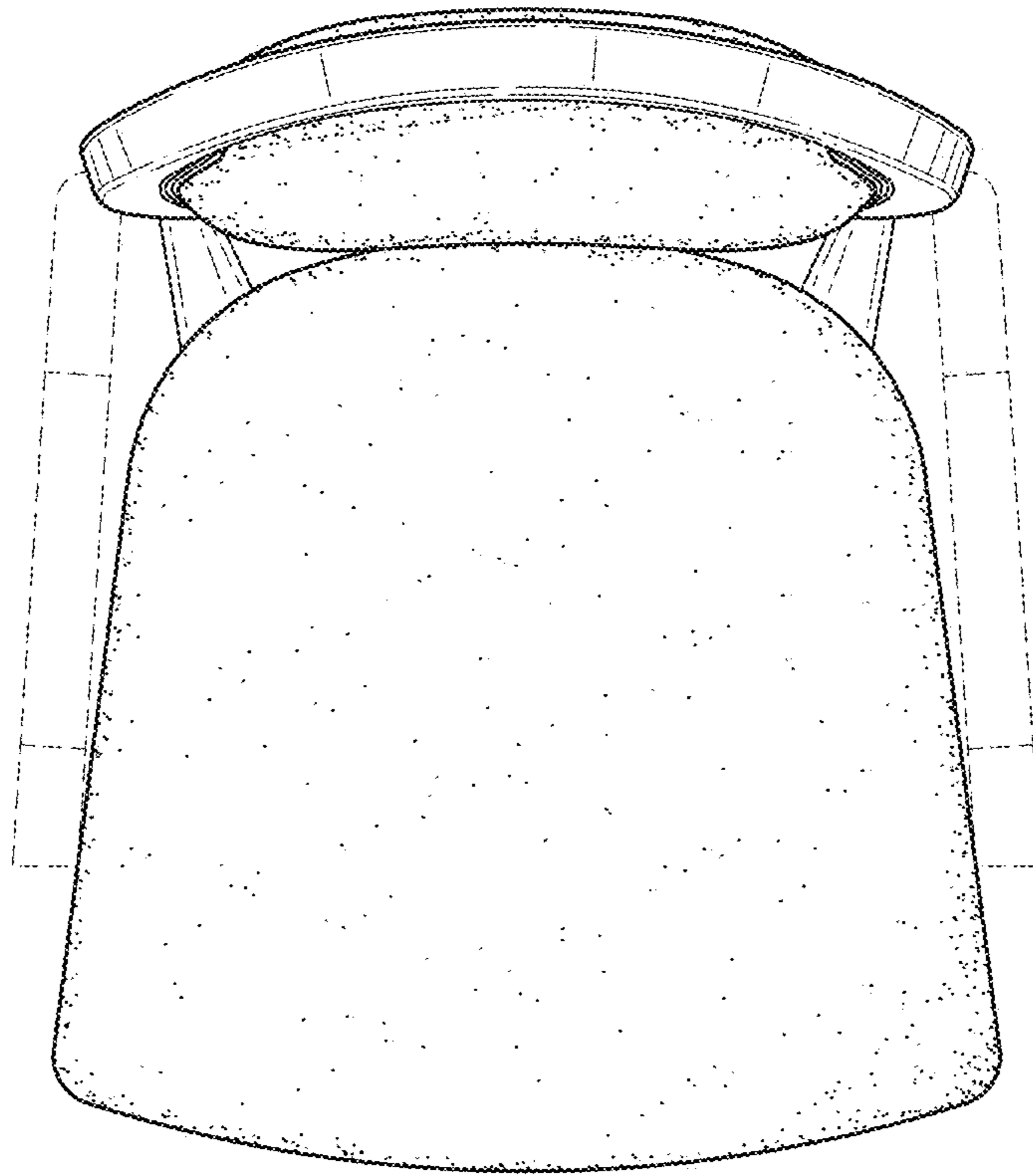


FIG. 5