



US00D939852S

(12) **United States Design Patent** (10) **Patent No.:** **US D939,852 S**  
**Capasso** (45) **Date of Patent:** **\*\* Jan. 4, 2022**

(54) **CHAIR**  
(71) Applicant: **Williams-Sonoma, Inc.**, San Francisco, CA (US)  
(72) Inventor: **Sandra Capasso**, Brooklyn, NY (US)  
(73) Assignee: **Williams-Sonoma, Inc.**, San Francisco, CA (US)  
(\*\*) Term: **15 Years**  
(21) Appl. No.: **29/741,461**  
(22) Filed: **Jul. 13, 2020**  
(51) **LOC (13) Cl.** ..... **06-01**  
(52) **U.S. Cl.**  
USPC ..... **D6/380**  
(58) **Field of Classification Search**  
USPC ..... D6/333, 334, 341, 348, 349, 350, 352, D6/353, 360, 364, 369, 370, 371, 373, D6/374, 375, 376, 377, 379, 380, 390, D6/677, 692, 700, 708, 708.16, 716; D16/237; D21/412, 419, 521  
CPC ..... A47C 1/124; A47C 3/34; A47C 4/028; A47C 4/02; A47C 5/12; A47C 5/125; A47C 7/506; A47C 9/007; A47C 13/005; A47C 13/023; A47C 31/113; A47C 31/02; A47C 5/06; A47C 5/08; B60R 2/0284; B60R 2/062; B60R 22/001; B60R 22/24; B60R 22/28; B60R 22/58; B60R 22/64; B60R 22/68; B60R 22/80; B60R 22/99; B60R 22/245; B60R 22/643; B60R 22/646; B60R 22/665; B60R 22/686; B60R 22/688; B60R 22/803; B60R 22/986; B60R 22/914; B60R 22/995  
See application file for complete search history.

D235,829 S \* 7/1975 Dransart ..... D6/375  
D518,656 S \* 4/2006 Van Hooydonk ..... D6/374  
D607,661 S \* 1/2010 Chadwick ..... D6/380  
D617,567 S \* 6/2010 Stiker Metral ..... D6/360  
D656,754 S \* 4/2012 Starck ..... D6/375  
D669,701 S \* 10/2012 Starck ..... D6/375  
D670,099 S \* 11/2012 Olivares ..... D6/375  
D752,356 S \* 3/2016 Tiet ..... D6/380  
D752,894 S \* 4/2016 Tiet ..... D6/379  
D763,004 S \* 8/2016 Moscheri ..... D6/380  
D800,474 S \* 10/2017 Tran ..... D6/380  
D813,563 S \* 3/2018 Morrison ..... D6/374  
D814,822 S \* 4/2018 Tran ..... D6/380  
D815,850 S \* 4/2018 Saotome ..... D6/380  
D821,768 S 7/2018 Jones  
D831,368 S 10/2018 Jones  
D843,751 S \* 3/2019 Tran ..... D6/380  
D844,343 S \* 4/2019 Tran ..... D6/380  
D844,344 S \* 4/2019 Tran ..... D6/380  
D857,416 S \* 8/2019 Tran ..... D6/380  
D859,022 S 9/2019 Jones

(Continued)

*Primary Examiner* — Kevin K Rudzinski  
*Assistant Examiner* — Paul D Bohannon  
(74) *Attorney, Agent, or Firm* — Cook Alex Ltd.; R. Blake Johnston

(57) **CLAIM**

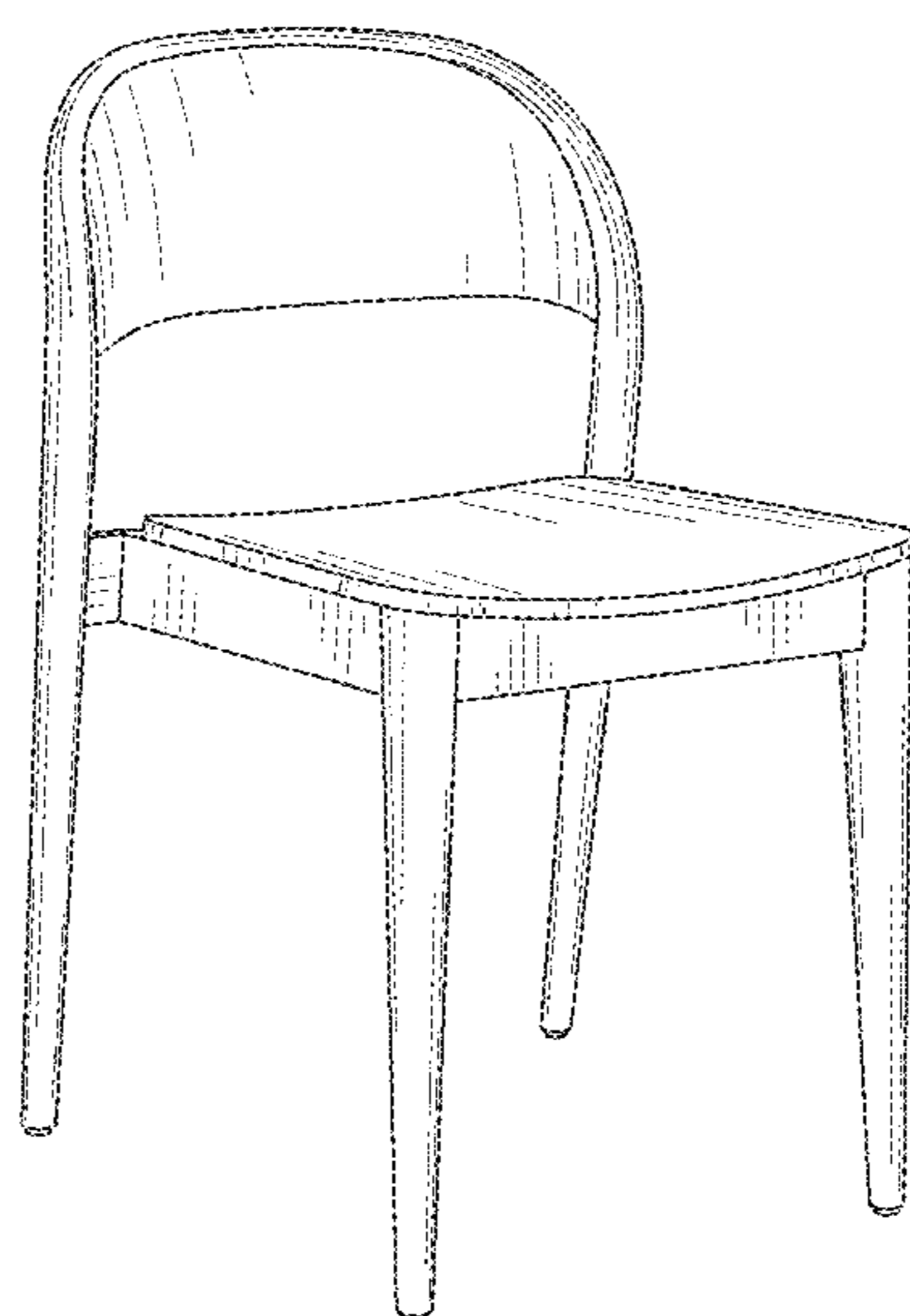
The ornamental design for a chair, as shown and described.

**DESCRIPTION**

FIG. 1 is a perspective view of the chair;  
FIG. 2 is a front elevational view of the chair;  
FIG. 3 is a rear elevational view of the chair;  
FIG. 4 is a left side elevational view of the chair, the opposite side of which is a mirror image;  
FIG. 5 is a top plan view of the chair; and,  
FIG. 6 is a bottom plan view of the chair.

**1 Claim, 4 Drawing Sheets**

(56) **References Cited**  
U.S. PATENT DOCUMENTS  
D230,543 S \* 3/1974 McDermott ..... D6/375  
D234,280 S \* 2/1975 Ekuan ..... D6/379



(56)

**References Cited**

U.S. PATENT DOCUMENTS

D863,805	S	10/2019	Jones	
D884,379	S	5/2020	Killinger	
D885,781	S *	6/2020	Barber .....	D6/380
D894,627	S *	9/2020	Hughes .....	D6/374
D899,120	S *	10/2020	Del Portillo .....	D6/360
D903,362	S	12/2020	Jones	
D904,065	S *	12/2020	Ballendat .....	D6/380
2018/0226004	A1 *	8/2018	Lin .....	A47C 1/13

\* cited by examiner

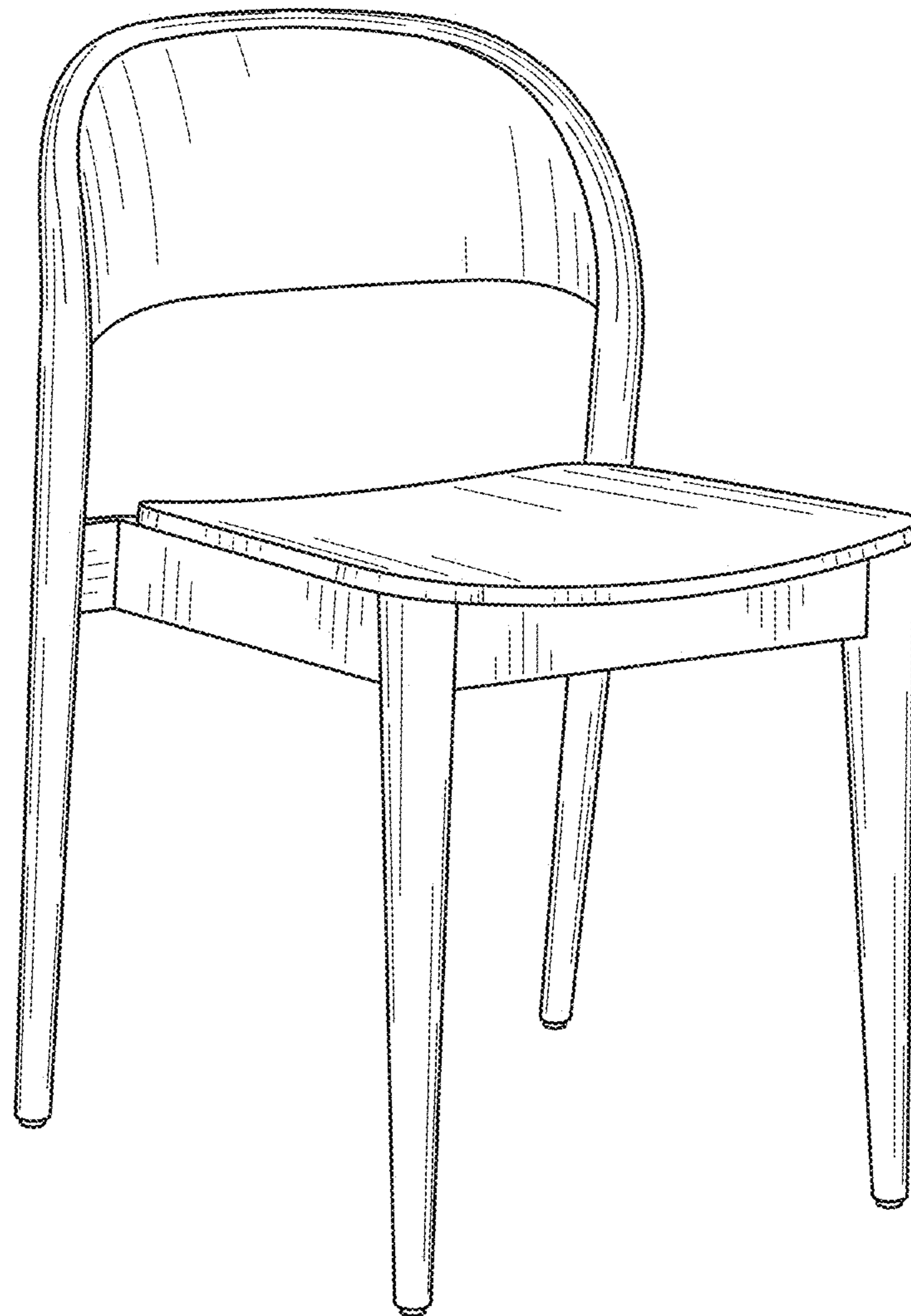


FIG. 1

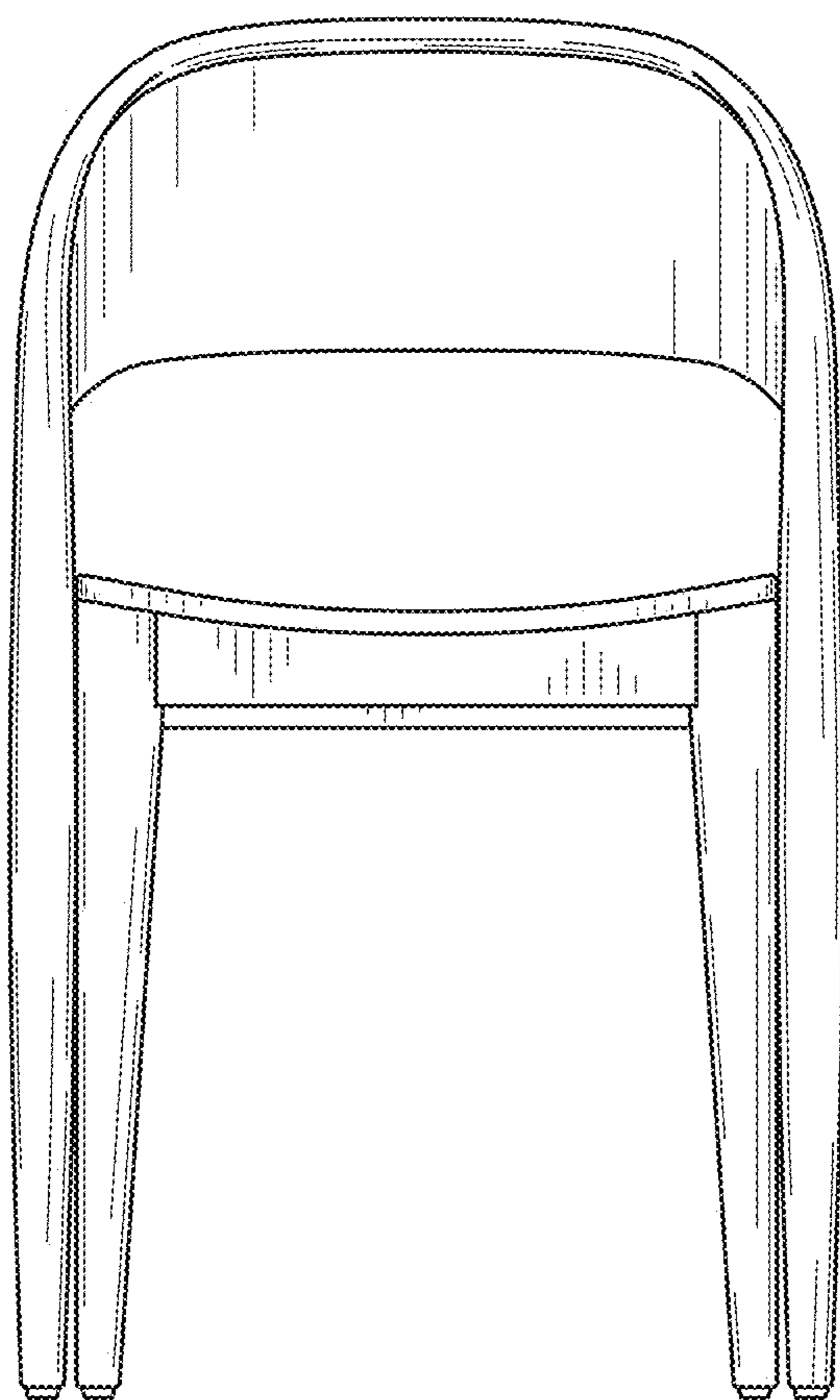


FIG. 2

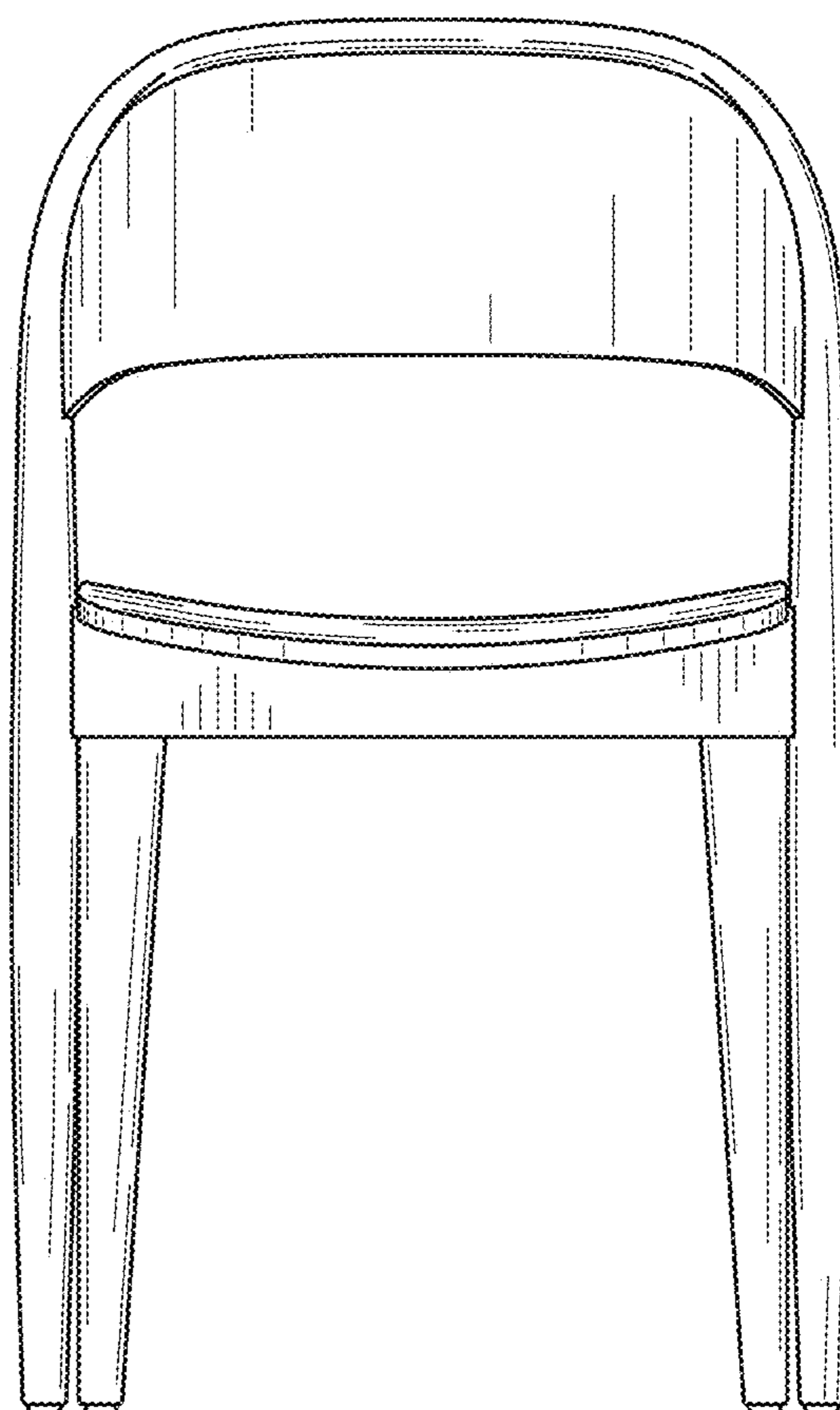


FIG. 3

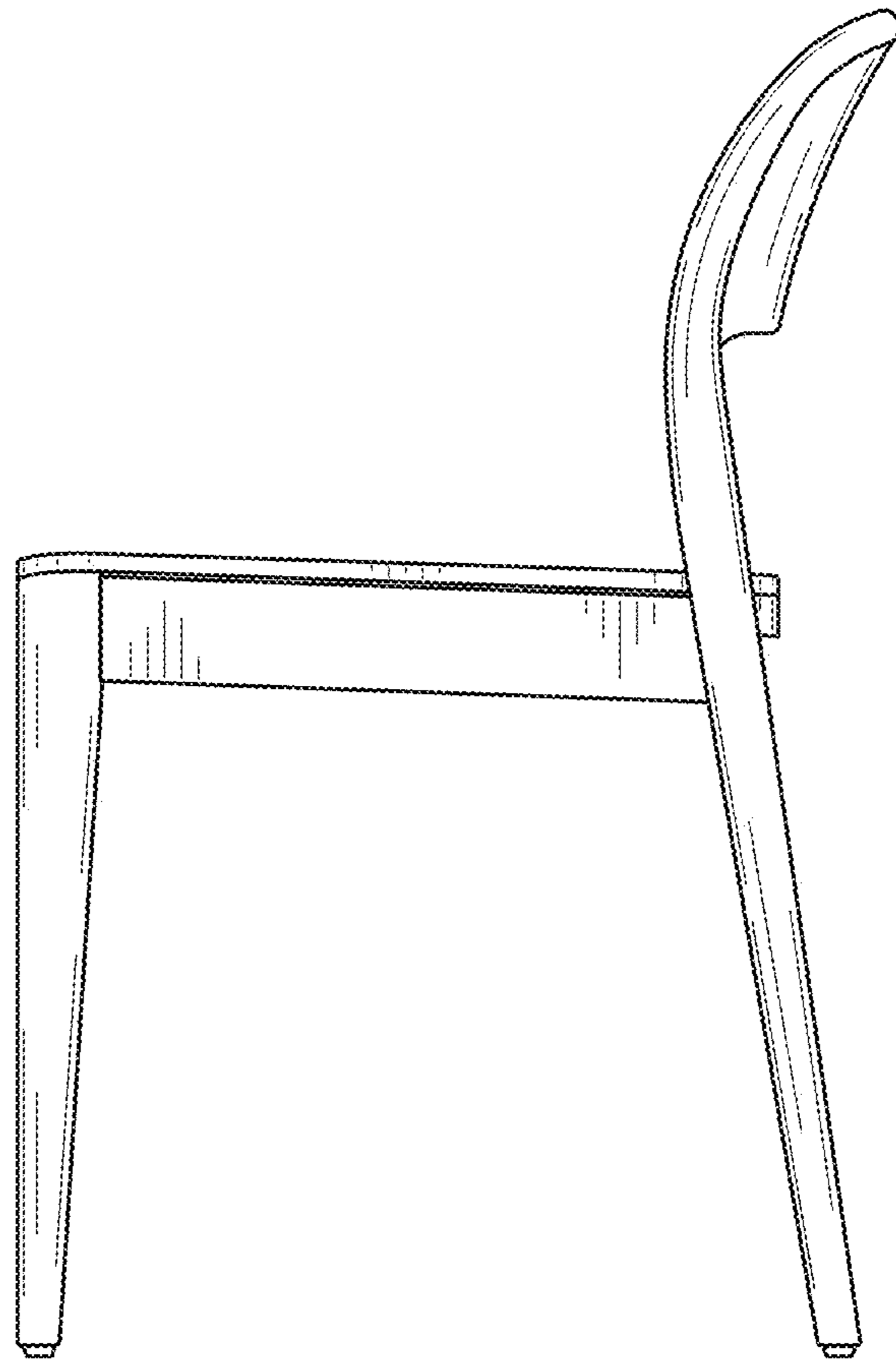


FIG. 4

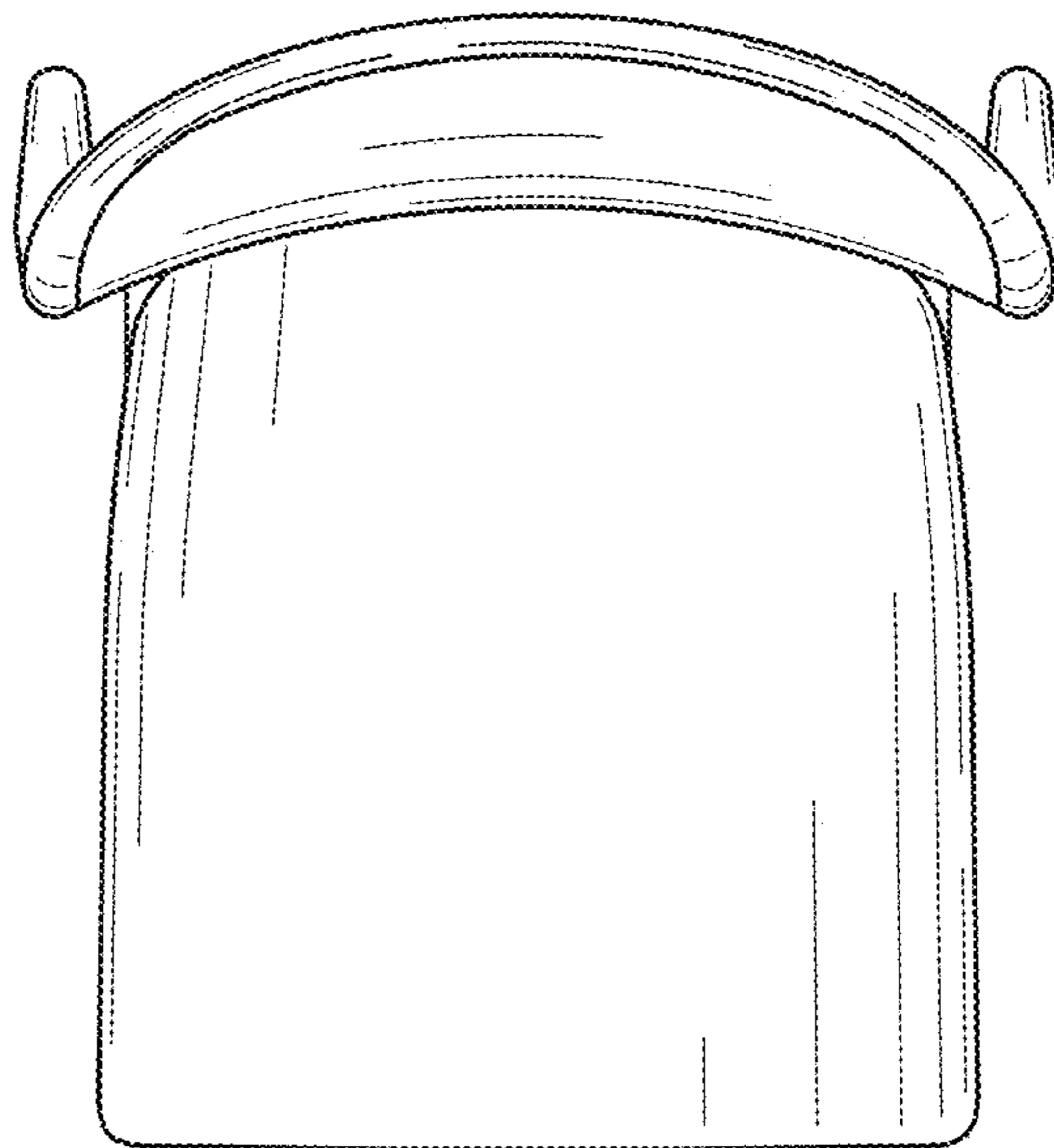


FIG. 5

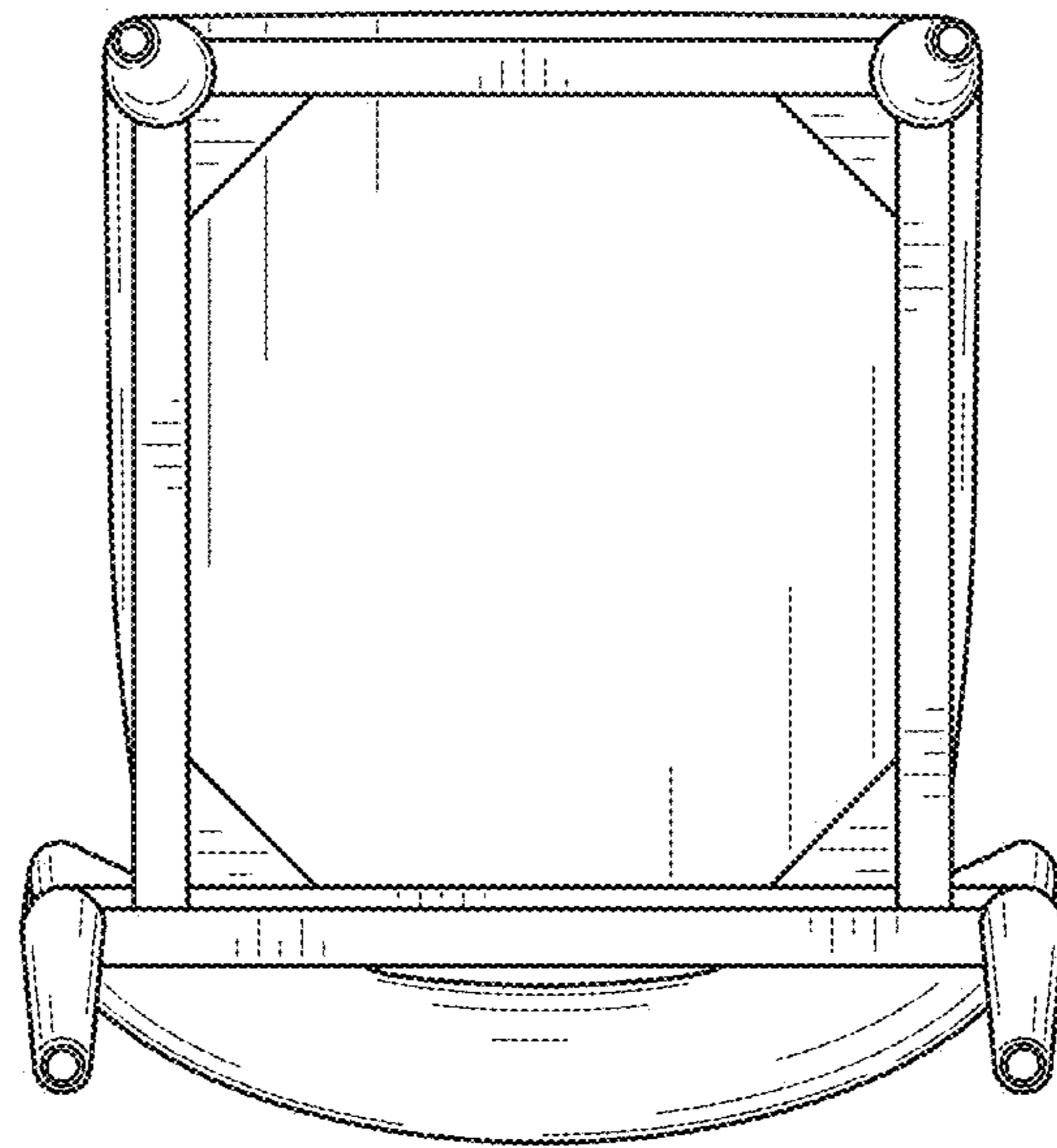


FIG. 6