



US00D939847S

(12) **United States Design Patent** (10) **Patent No.:** **US D939,847 S**
Nie (45) **Date of Patent:** **** Jan. 4, 2022**

(54) **SOFA**

FOREIGN PATENT DOCUMENTS

(71) Applicant: **Weiyuan Nie**, Liuyang (CN)

EM 008320618-0002 * 12/2020
EM 008678338-0019 * 9/2021

(72) Inventor: **Weiyuan Nie**, Liuyang (CN)

(**) Term: **15 Years**

OTHER PUBLICATIONS

(21) Appl. No.: **29/751,664**

MELLCOM Modular Sectional Sleeper Sofa [online], [site visited Nov. 3, 2021]. Available from internet, URL: <https://www.amazon.com/MELLCOM-Sectional-Upholstered-Pull-Out-Removable/dp/B09K47M27D?th=1> (Year: 2021).*

(22) Filed: **Sep. 23, 2020**

POVISON Reversible Sectional Sofa Sleeper [online], [site visited Nov. 3, 2021]. Available from internet, URL: <https://www.amazon.com/POVISON-Reversible-Sectional-Pull-Out-Upholstered/dp/B0975YKCZY> (Year: 2021).*

(51) **LOC (13) Cl.** **06-01**

(52) **U.S. Cl.**

USPC **D6/335**; D6/381

(58) **Field of Classification Search**

USPC D6/334-337, 349, 369, 374, 375, 377, D6/381

CPC .. A47C 7/24; A47C 7/54; A47C 7/541; A47C 7/546; A47C 17/00; A47C 17/02; A47C 17/04; A47C 17/045; A47C 17/12; A47C 17/13; A47C 17/132; A47C 17/134; A47C 17/136; A47C 17/16; A47C 17/162; A47C 17/17

See application file for complete search history.

* cited by examiner

Primary Examiner — George A Bugg

Assistant Examiner — Xavier Marti-Santos

(57) **CLAIM**

The ornamental design for a sofa, as shown and described.

(56) **References Cited**

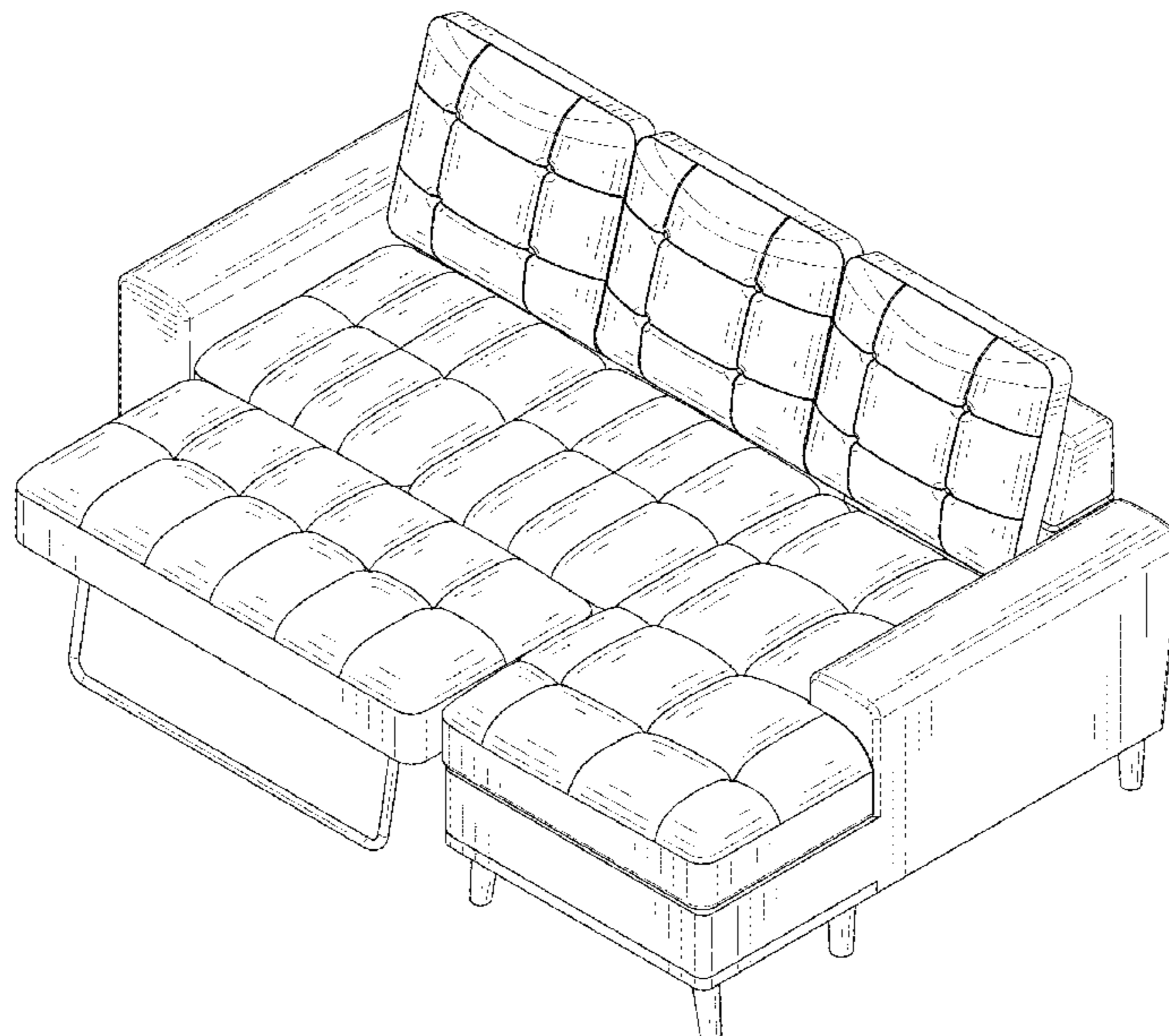
DESCRIPTION

U.S. PATENT DOCUMENTS

2,852,787	A	*	9/1958	Wilson	A47C 17/045
						5/2.1
D488,315	S	*	4/2004	Natuzzi	D6/377
D584,522	S	*	1/2009	Ricci	D6/381
D640,480	S	*	6/2011	Bush	D6/381
D640,481	S	*	6/2011	Bush	D6/381
D719,757	S	*	12/2014	Sonmez	D6/381
D737,594	S	*	9/2015	Rafieha	D6/381
D904,772	S	*	12/2020	Kanthasamy	D6/335
D930,381	S	*	9/2021	Nie	D6/381
D930,382	S	*	9/2021	Tian	D6/381
D930,383	S	*	9/2021	Nie	D6/381
D930,384	S	*	9/2021	Nie	D6/381
D933,378	S	*	10/2021	Tian	D6/335

FIG. 1 is a perspective view of a sofa showing my new design;
FIG. 2 is another perspective view thereof;
FIG. 3 is a front elevational view thereof;
FIG. 4 is a rear elevational view thereof;
FIG. 5 is a left side elevational view thereof;
FIG. 6 is a right side elevational view thereof;
FIG. 7 is a top plan view thereof;
FIG. 8 is a bottom plan view thereof; and,
FIG. 9 is a perspective view of the sofa where the sofa is in a folded state.

1 Claim, 9 Drawing Sheets



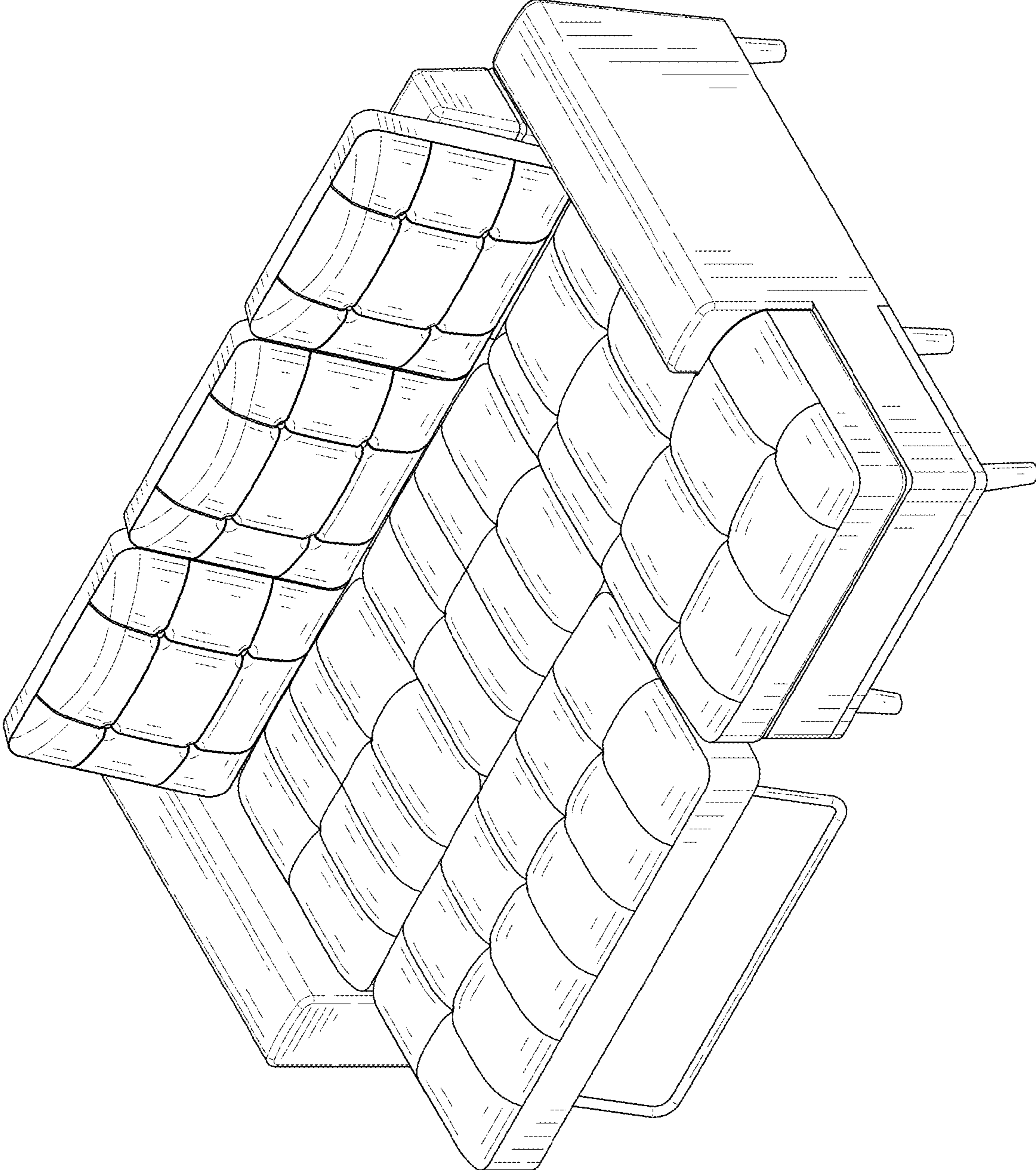


FIG. 1

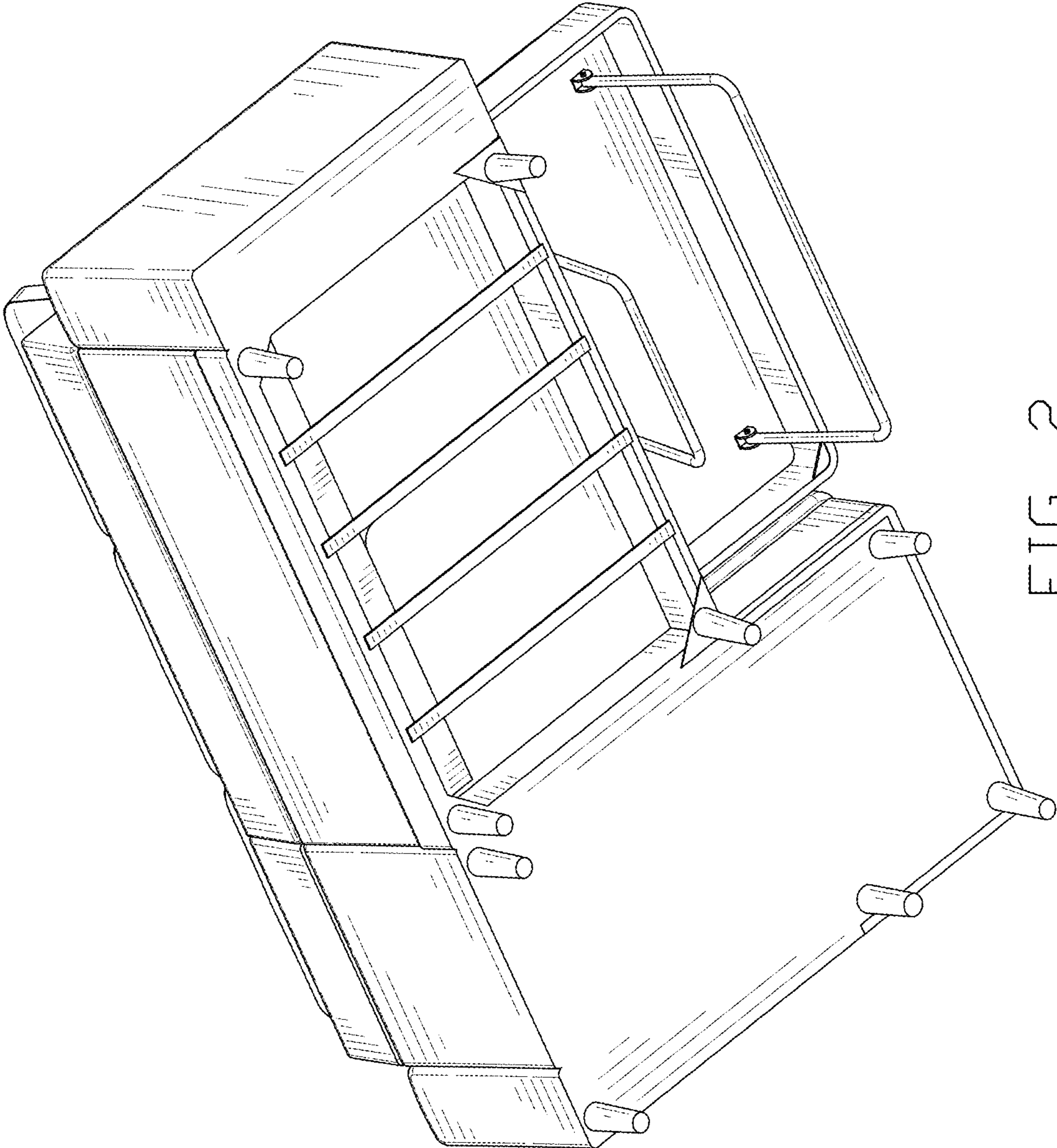


FIG. 2

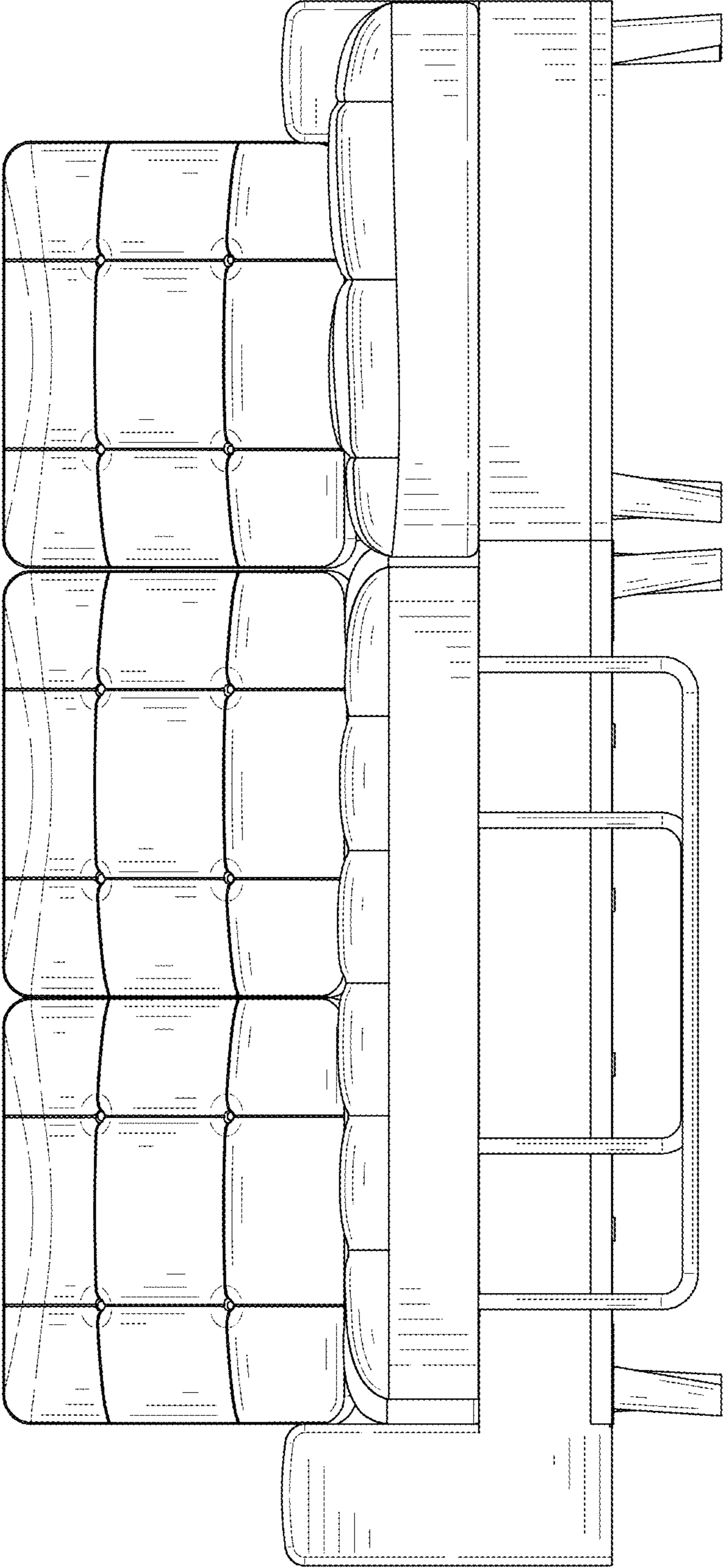


FIG. 3

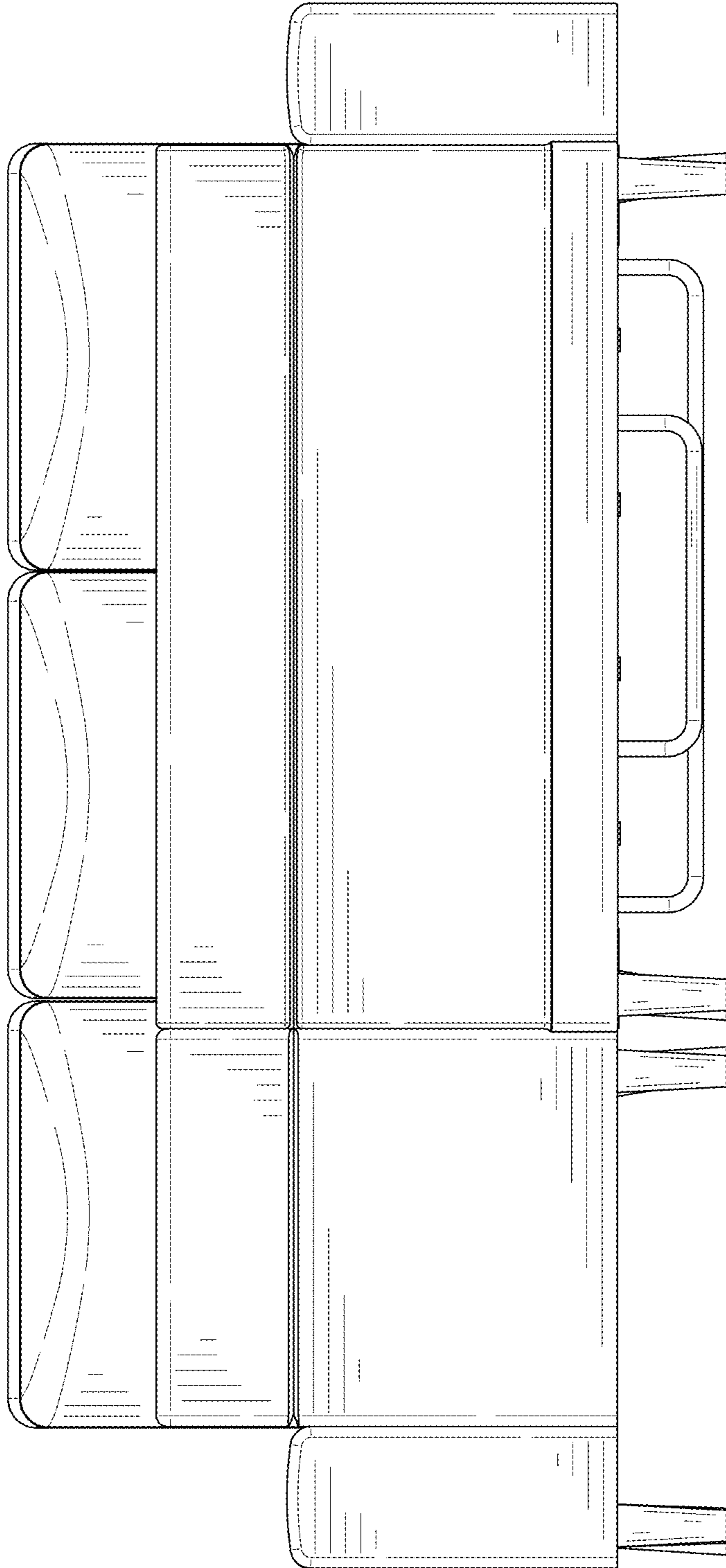


FIG. 4

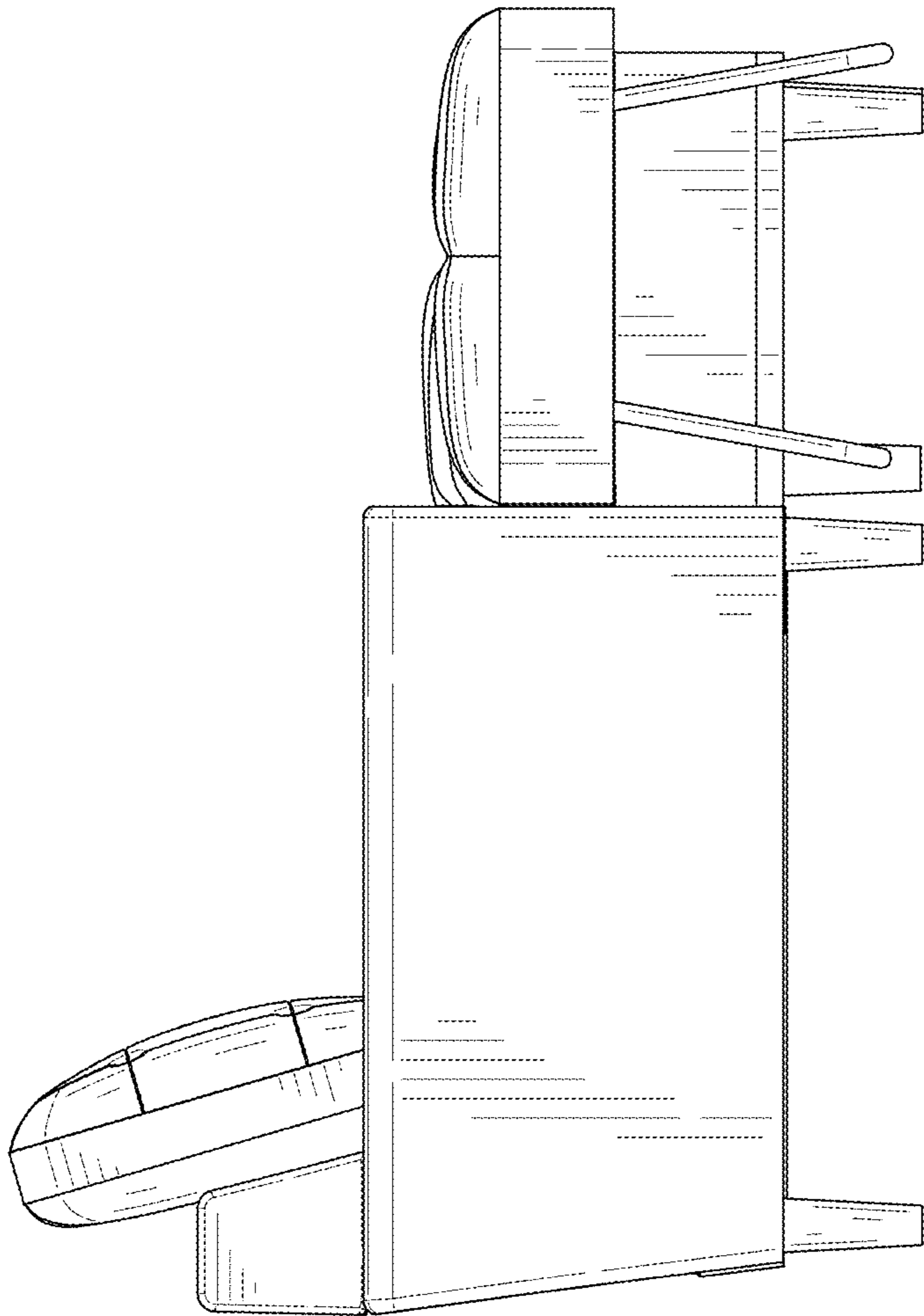


FIG. 5

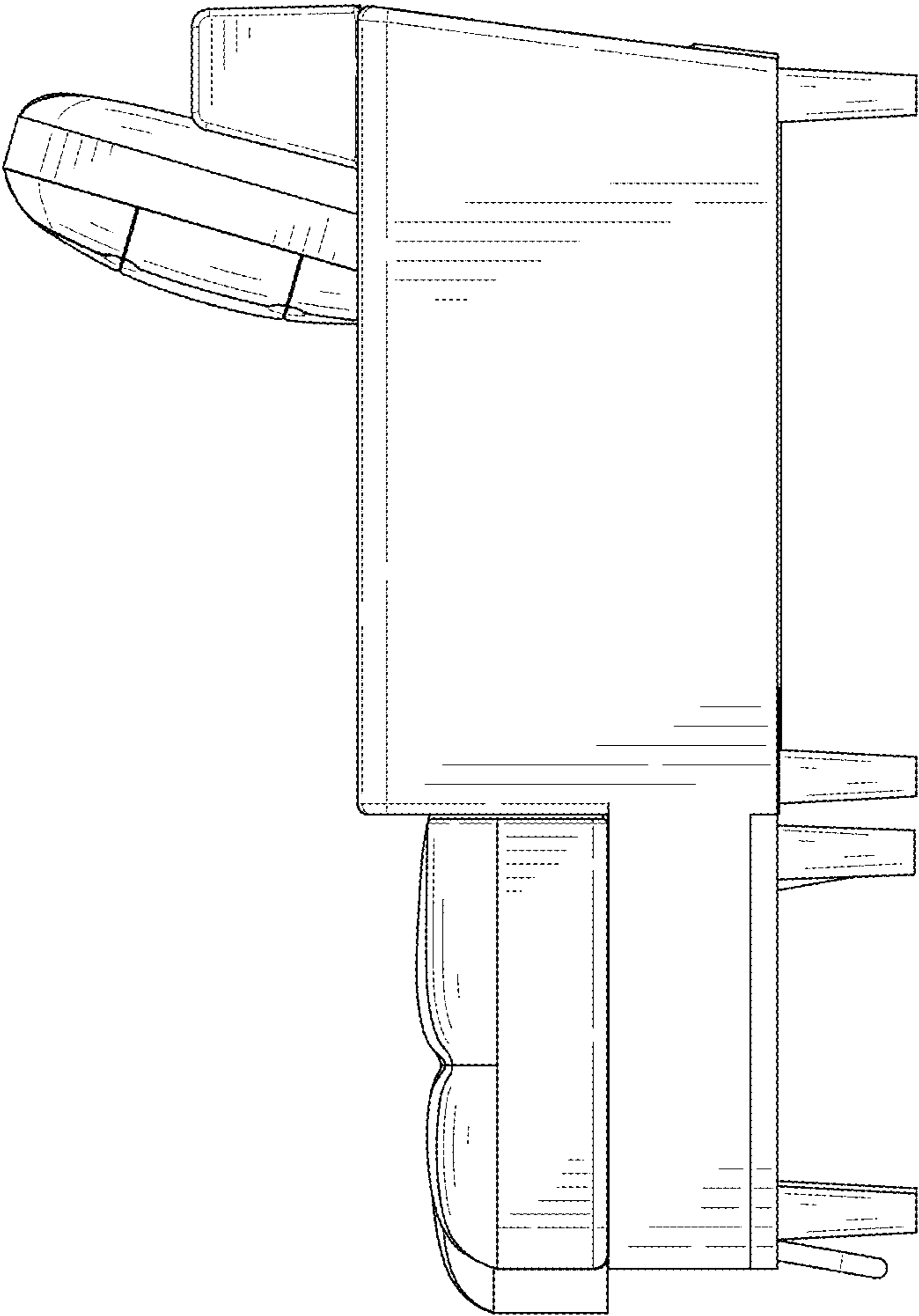


FIG. 6

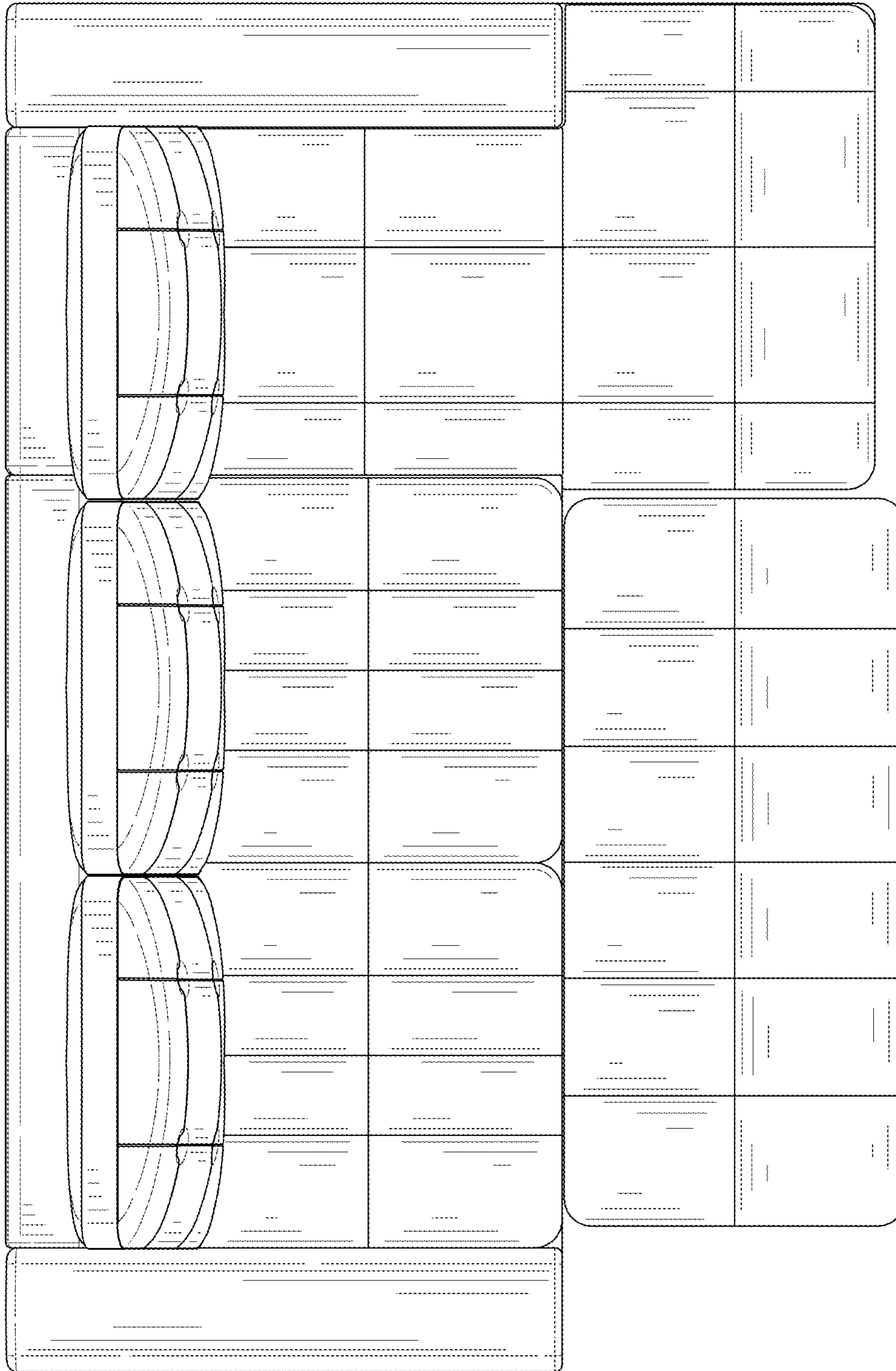


FIG. 7

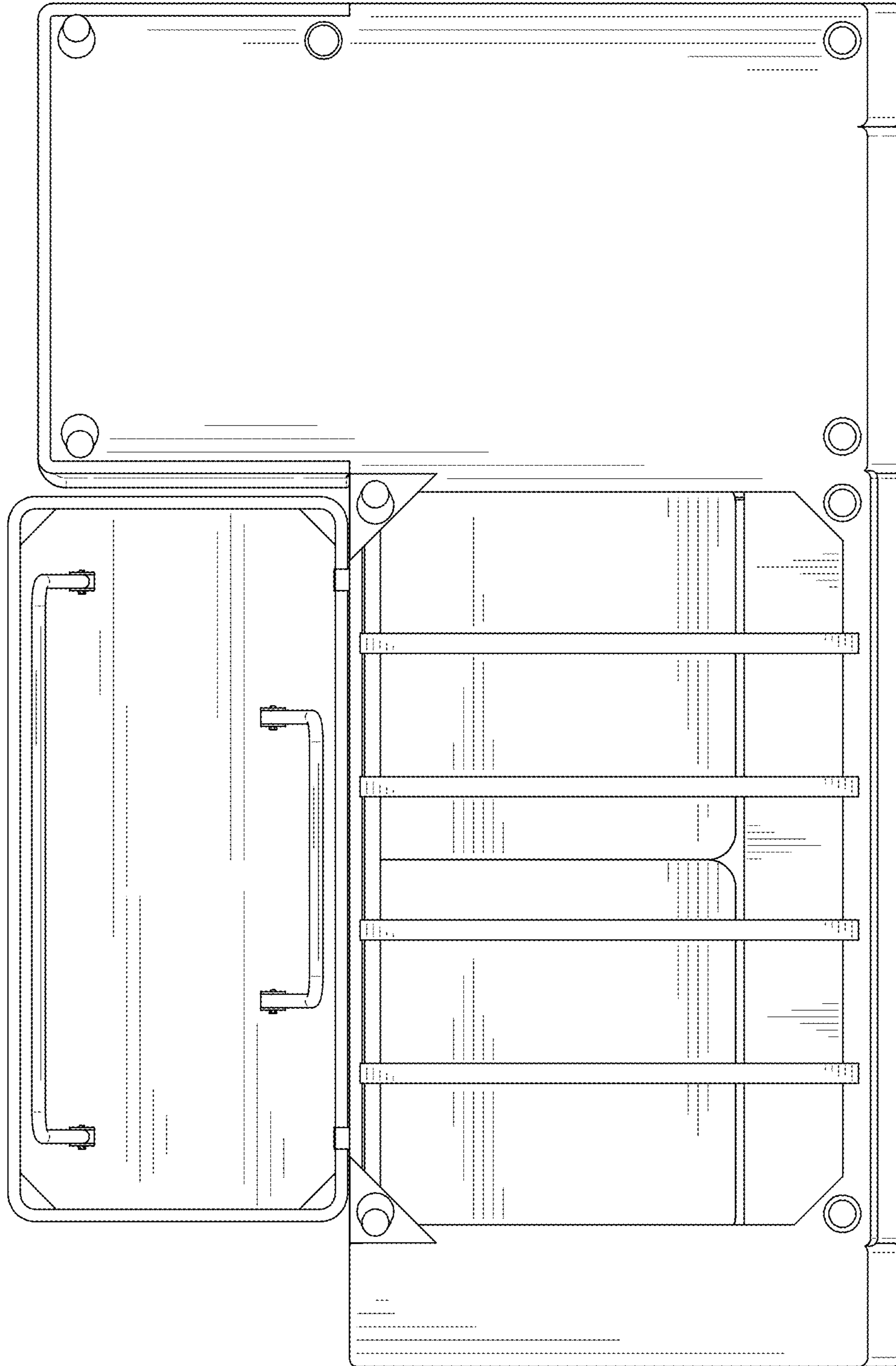


FIG. 8

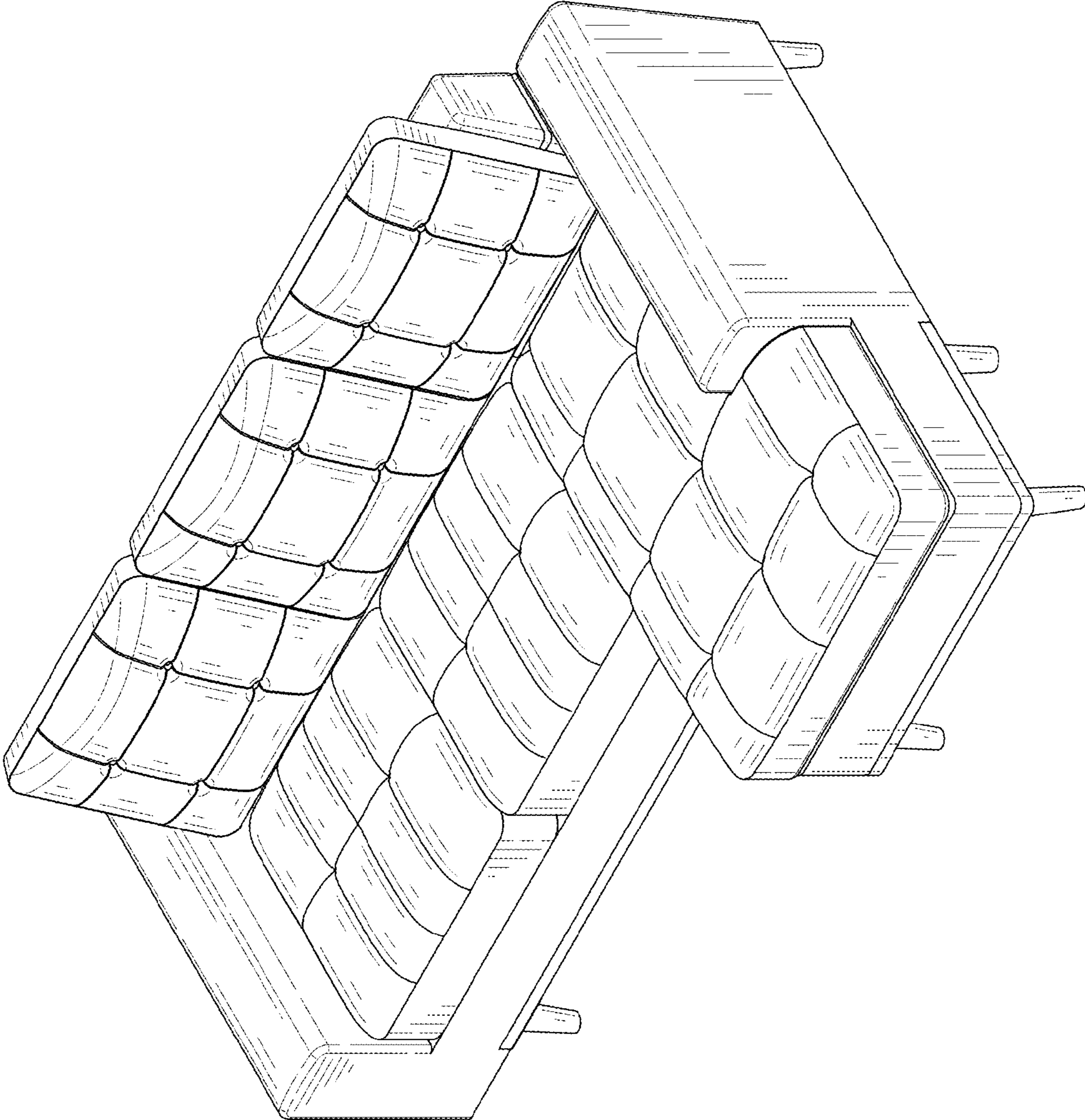


FIG. 9