



US00D939846S

(12) **United States Design Patent** (10) **Patent No.:** **US D939,846 S**
Kanthasamy (45) **Date of Patent:** **** *Jan. 4, 2022**

(54) **WINGED SOFA WITH ROUND LEGS**

(71) Applicant: **Abedan Kanthasamy**, Mississauga (CA)

(72) Inventor: **Abedan Kanthasamy**, Mississauga (CA)

(*) Notice: This patent is subject to a terminal disclaimer.

(**) Term: **15 Years**

(21) Appl. No.: **29/657,448**

(22) Filed: **Jul. 23, 2018**

(30) **Foreign Application Priority Data**

Jan. 29, 2018 (CA) CA 179437

(51) **LOC (13) Cl.** **06-01**

(52) **U.S. Cl.**
USPC **D6/335**

(58) **Field of Classification Search**
USPC D6/334, 335, 374, 375, 377, 381
CPC A47C 17/00; A47C 17/02; A47C 17/04;
A47C 17/045; A47C 17/13; A47C 17/132;
A47C 17/134; A47C 17/16; A47C 17/162;
A47C 17/18; A47C 17/86
See application file for complete search history.

(56) **References Cited**

U.S. PATENT DOCUMENTS

- 2,111,415 A * 3/1938 Arton A47C 17/16
5/44.1
- D170,088 S * 7/1953 Hoffman D6/381
- 2,774,977 A * 12/1956 Mintz A47C 17/045
5/12.1
- D179,829 S * 3/1957 Wilson D6/377
- 3,096,528 A * 7/1963 Inco A47C 17/134
5/28
- 4,077,666 A * 3/1978 Heumann A47C 13/005
297/248

- D446,962 S * 8/2001 Mourgue D6/335
- D498,075 S * 11/2004 Mourgue D6/335
- D635,793 S * 4/2011 Kanthasamy D6/381
- D635,794 S * 4/2011 Kanthasamy D6/381
- D675,460 S * 2/2013 Kanthasamy D6/381
- D676,680 S * 2/2013 Arko D6/334
- D677,071 S * 3/2013 Kanthasamy D6/381

(Continued)

Primary Examiner — Mary Ann Calabrese
(74) *Attorney, Agent, or Firm* — Harness, Dickey & Pierce, P.L.C.

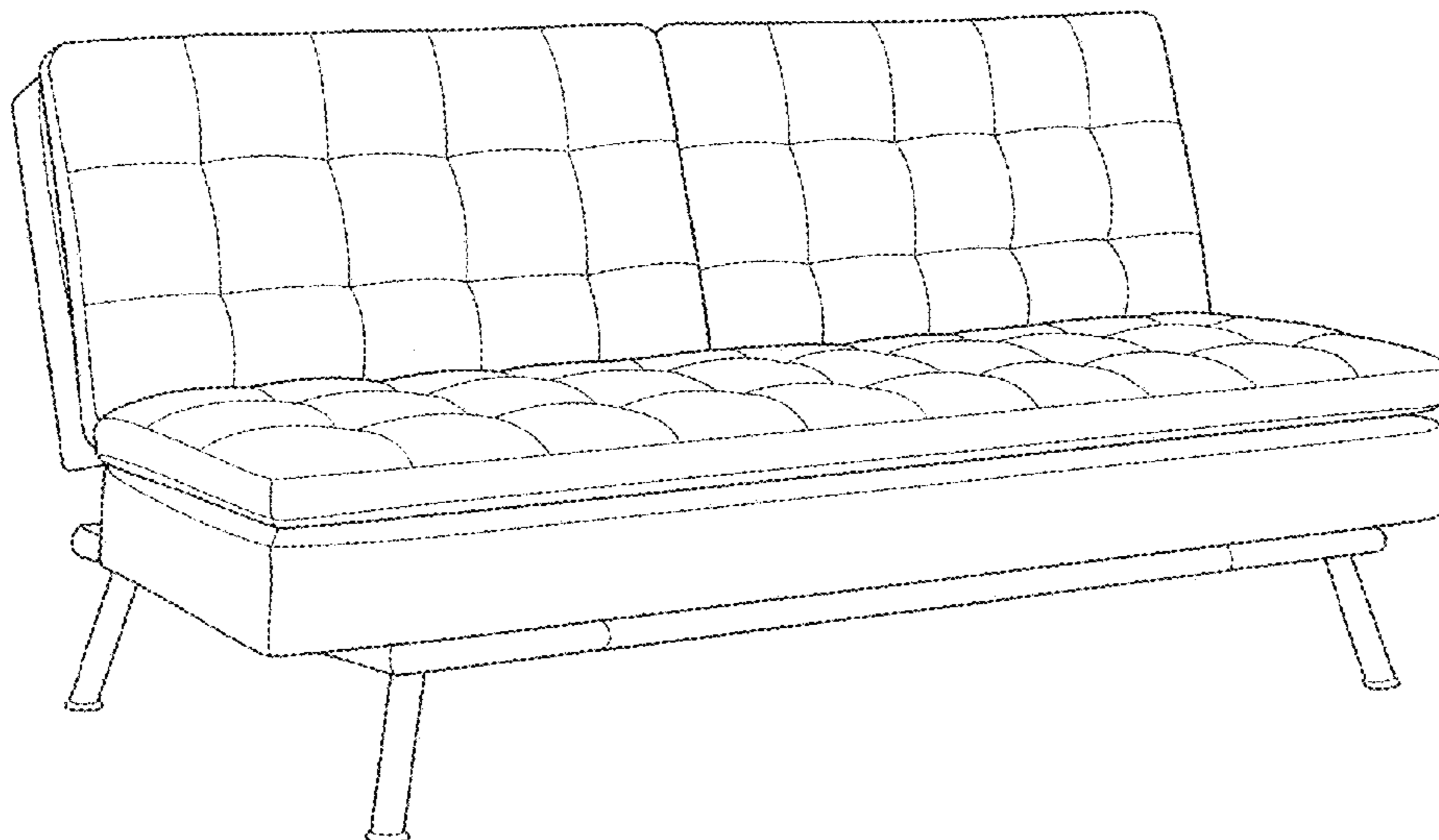
(57) **CLAIM**

The ornamental design for a winged sofa with round legs, as shown and described.

DESCRIPTION

FIG. 1 is a perspective view of a winged sofa with round legs embodying the design in a first position;
 FIG. 2 is a perspective view of the winged sofa with round legs in a second position;
 FIG. 3 is a perspective view of the winged sofa with round legs in a third position;
 FIG. 4 is a perspective view of the winged sofa with round legs in a fourth position;
 FIG. 5 is a perspective view of the winged sofa with round legs in a fifth position;
 FIG. 6 is a front perspective view of the winged sofa with round legs in first position;
 FIG. 7 is a right side view of the winged sofa with round legs in first position;
 FIG. 8 is a left side view of the winged sofa with round legs in first position;
 FIG. 9 is a top perspective view of the winged sofa with round legs in first position;
 FIG. 10 is a bottom perspective view of the winged sofa with round legs in third position; and,
 FIG. 11 is a back perspective view of the winged sofa with round legs in first position.

1 Claim, 11 Drawing Sheets



(56)

References Cited

U.S. PATENT DOCUMENTS

D686,003 S * 7/2013 Arko D6/334
8,893,322 B2 * 11/2014 Kanthasamy A47C 17/162
5/12.1
D719,755 S * 12/2014 Kanthasamy D6/381
D719,756 S * 12/2014 Sonmez D6/381
D721,242 S * 1/2015 Sonmez D6/381
D799,221 S * 10/2017 Pathiratne D6/335
D799,222 S * 10/2017 Pathiratne D6/335
D804,834 S * 12/2017 Kanthasamy D6/335
D829,452 S * 10/2018 Kanthasamy D6/335
D836,349 S * 12/2018 Kanthasamy D6/335
D836,350 S * 12/2018 Kanthasamy D6/335
D836,926 S * 1/2019 Kanthasamy D6/335
D836,927 S * 1/2019 Kanthasamy D6/335
D841,992 S * 3/2019 Kershner D6/335
2011/0016626 A1 * 1/2011 Kanthasamy A47C 17/16
5/37.1
2018/0296001 A1 * 10/2018 Tucker A47C 17/12

* cited by examiner

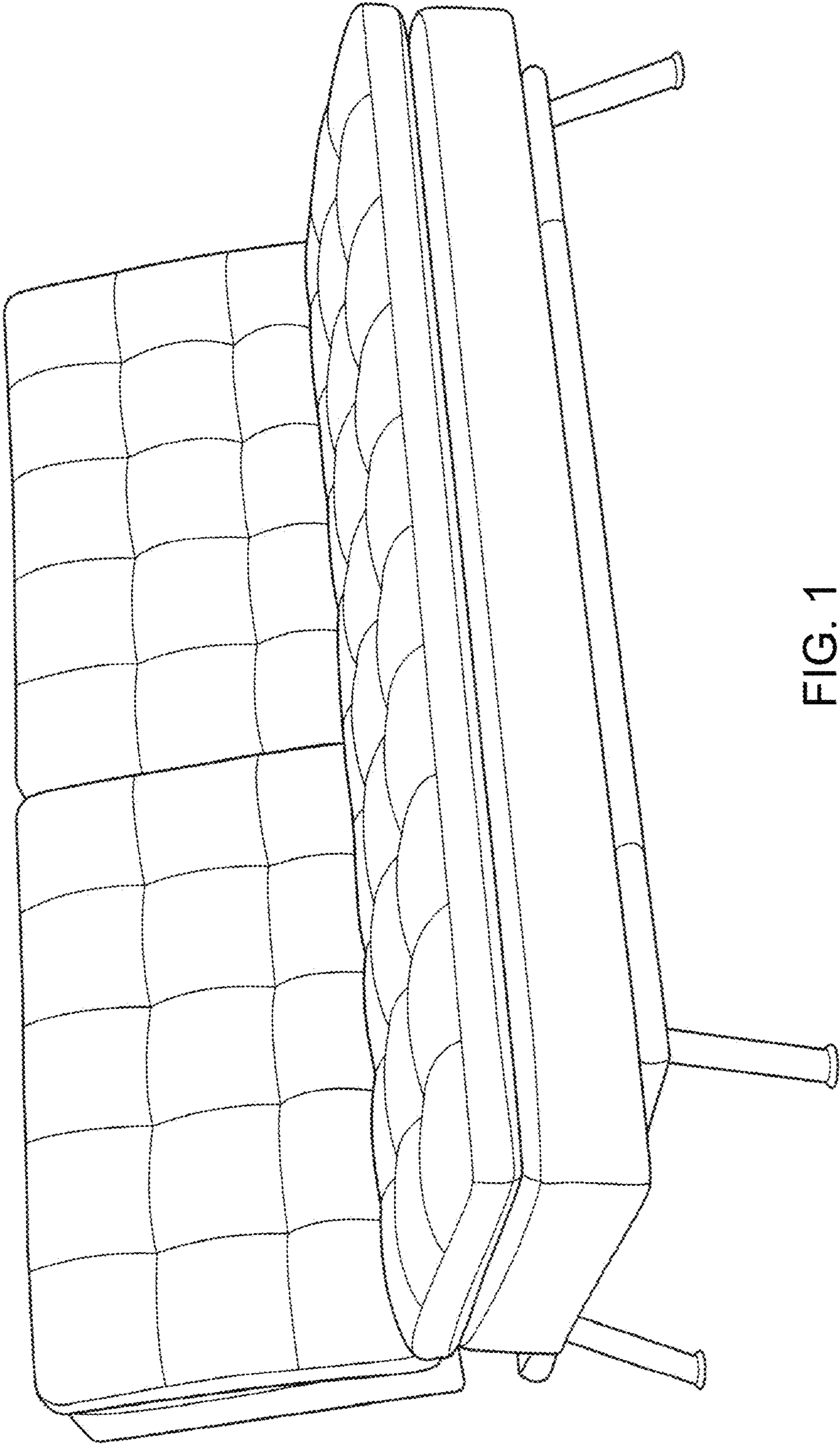


FIG. 1

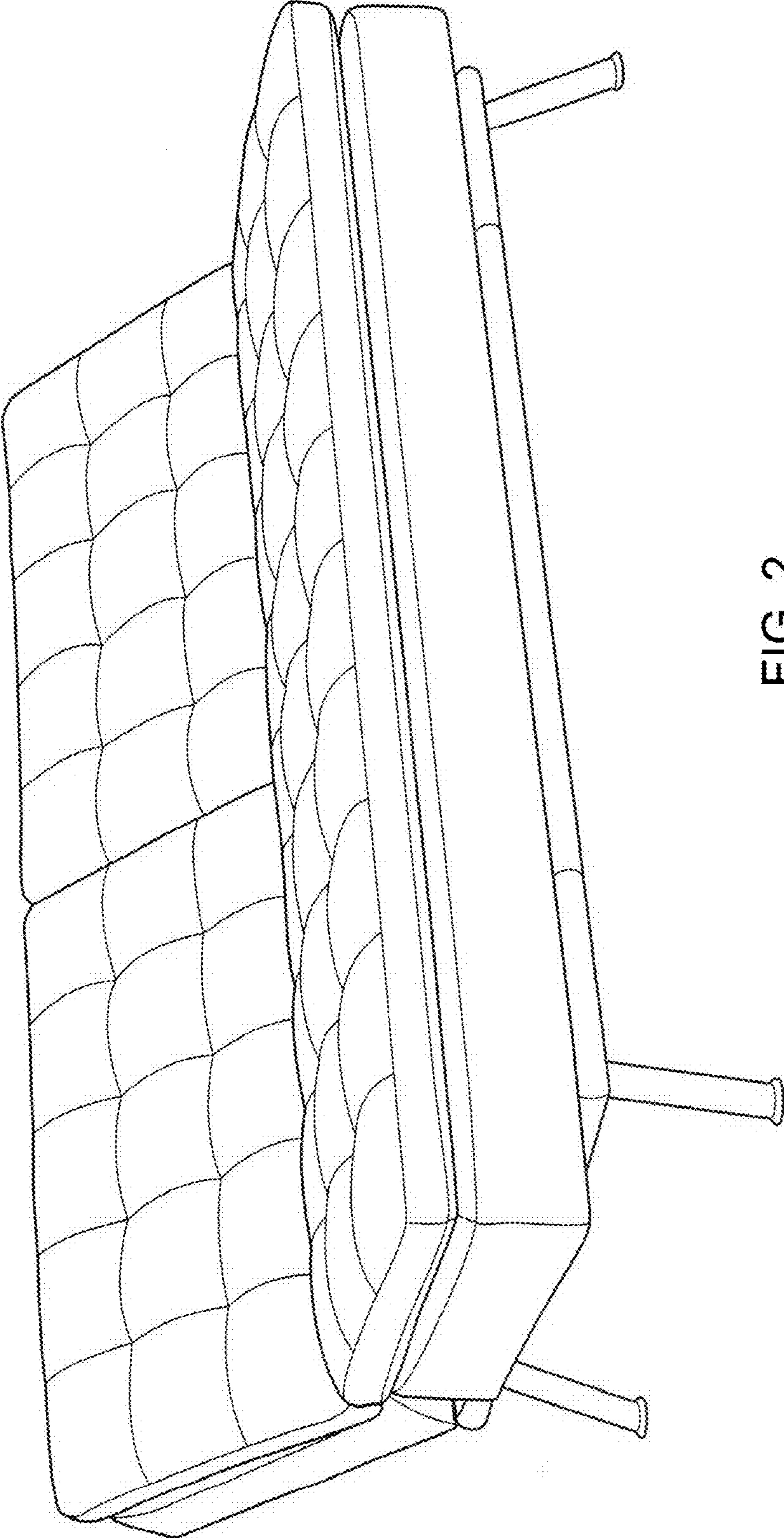


FIG. 2

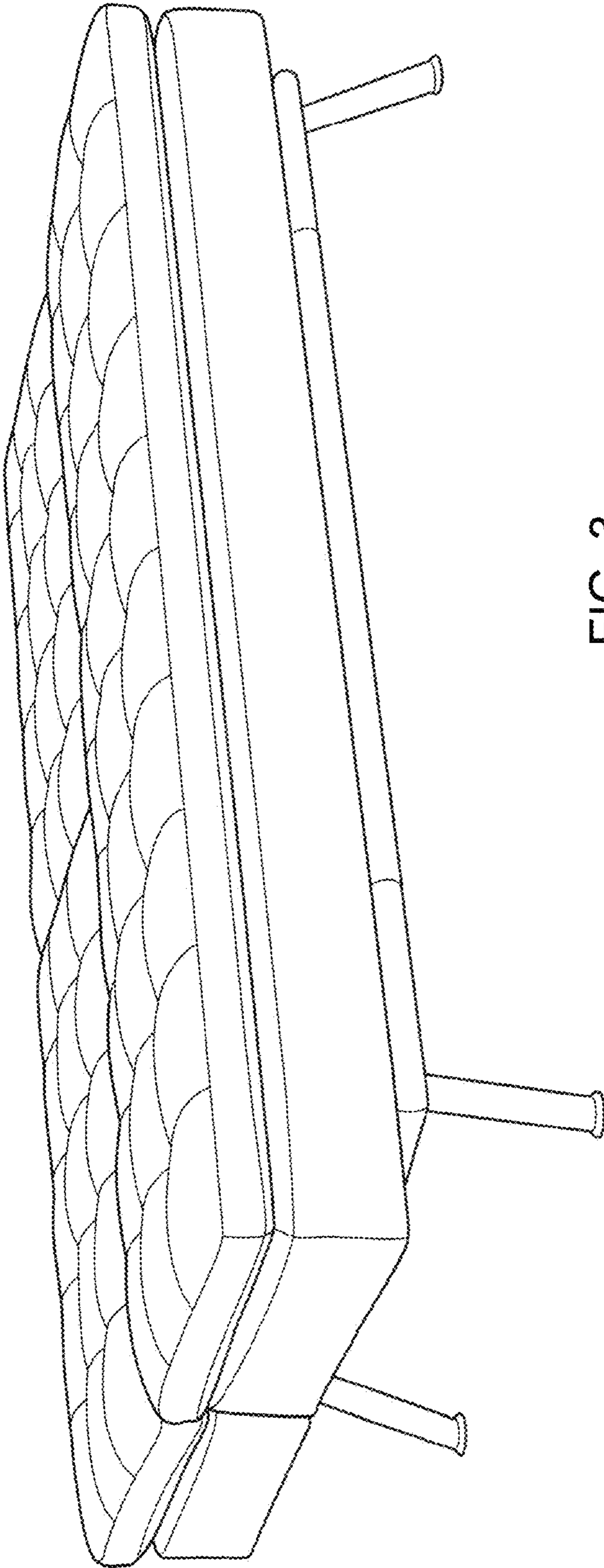


FIG. 3

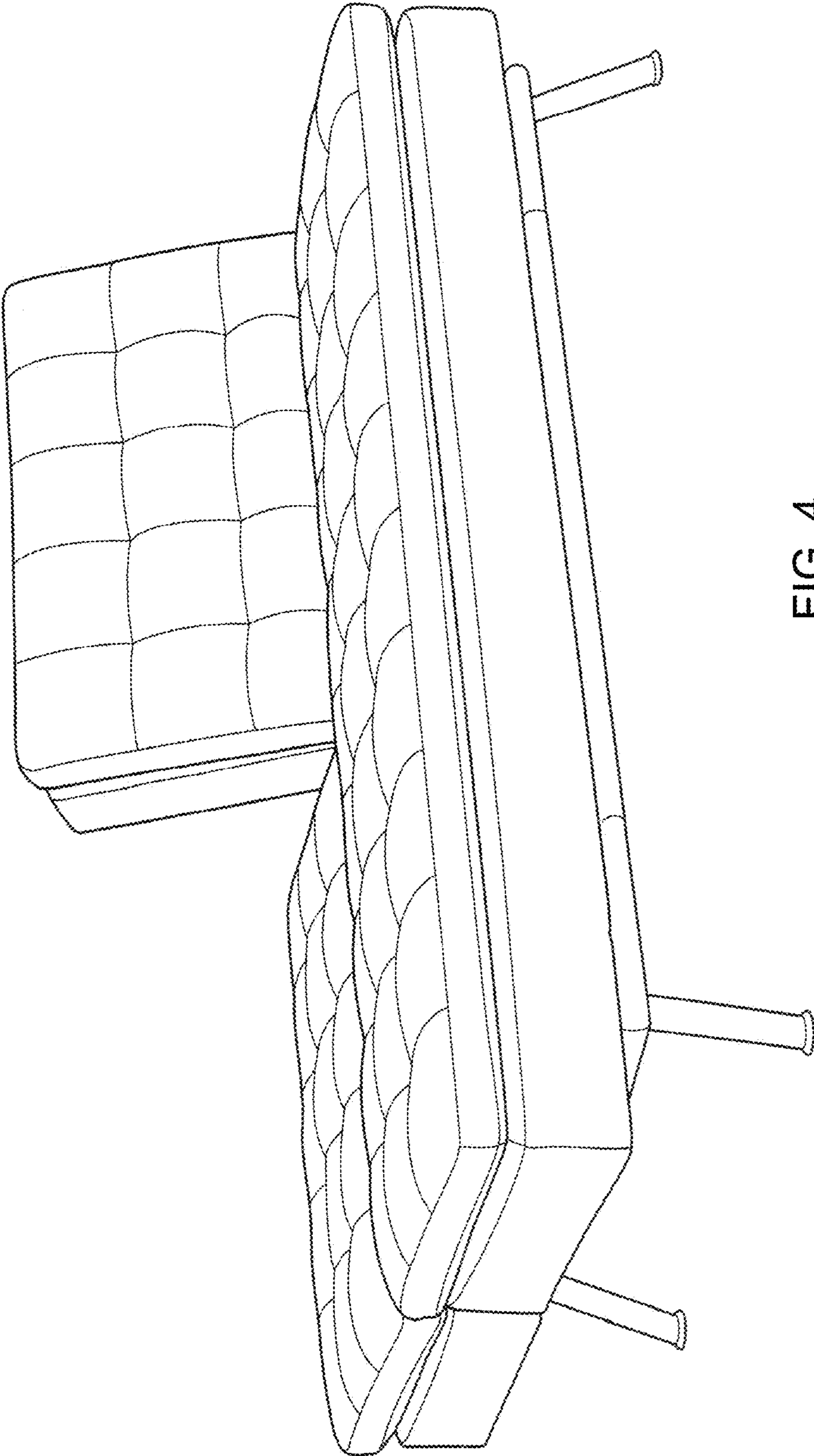


FIG. 4

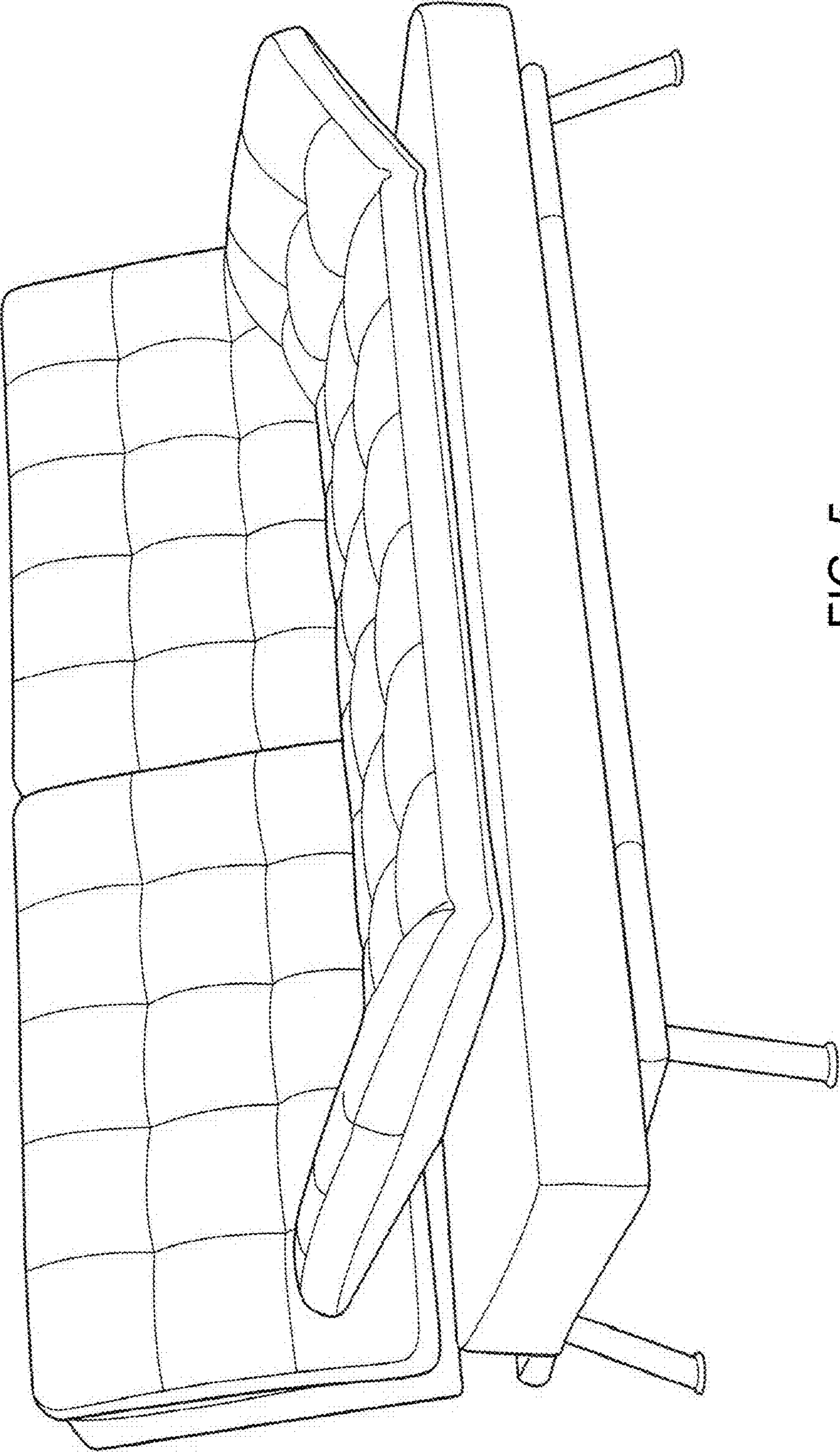


FIG. 5

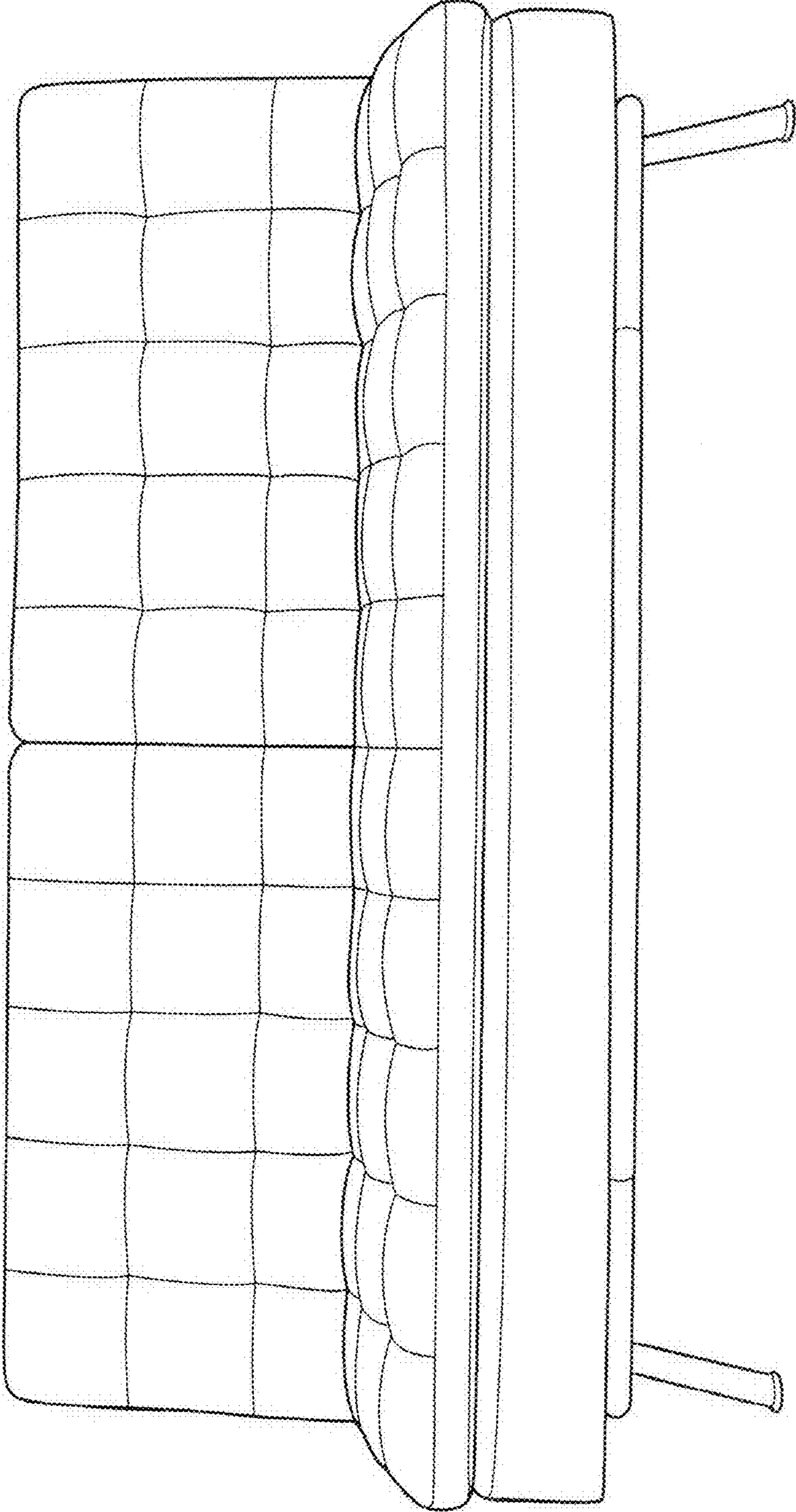


FIG. 6

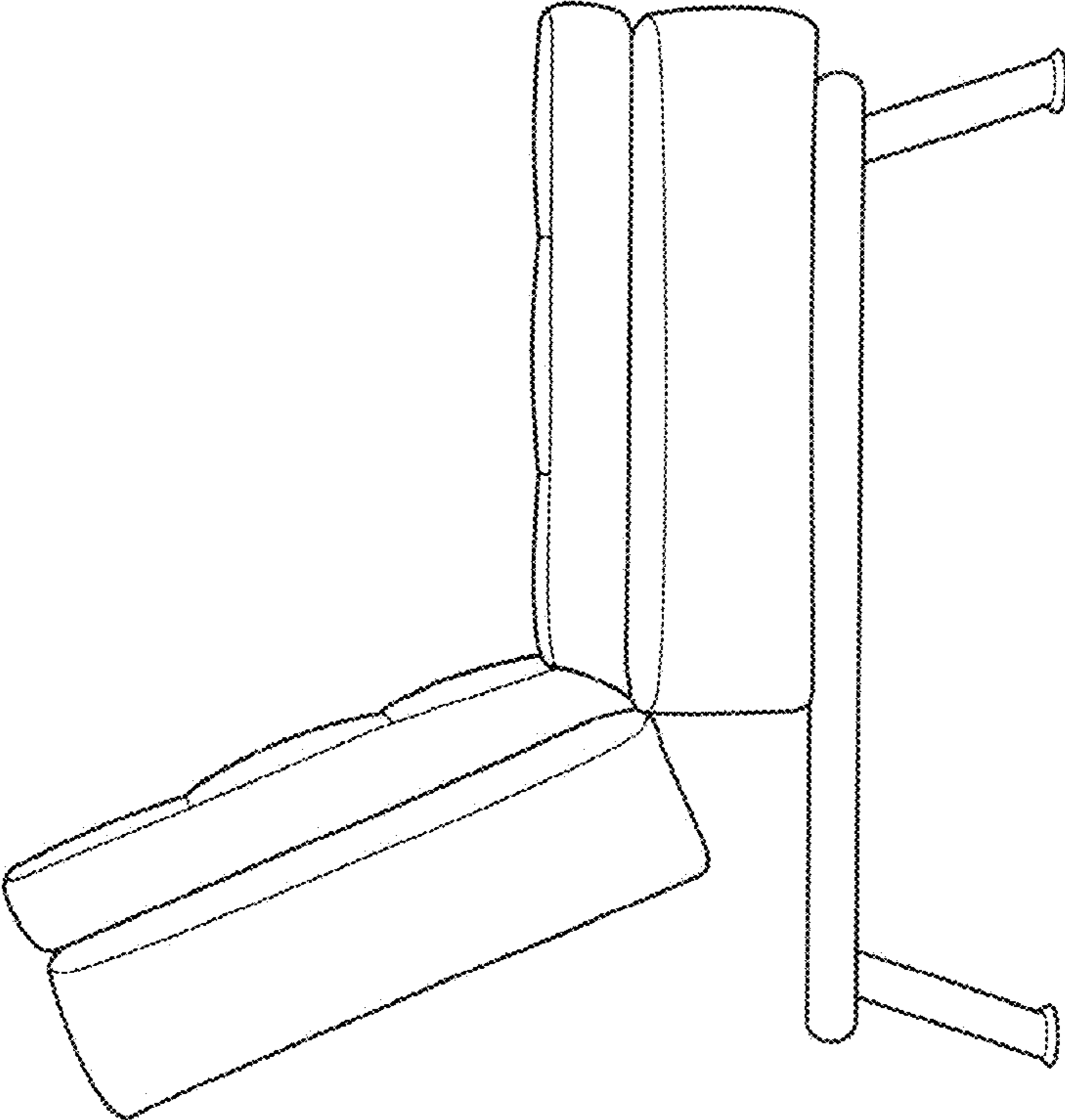


FIG. 7

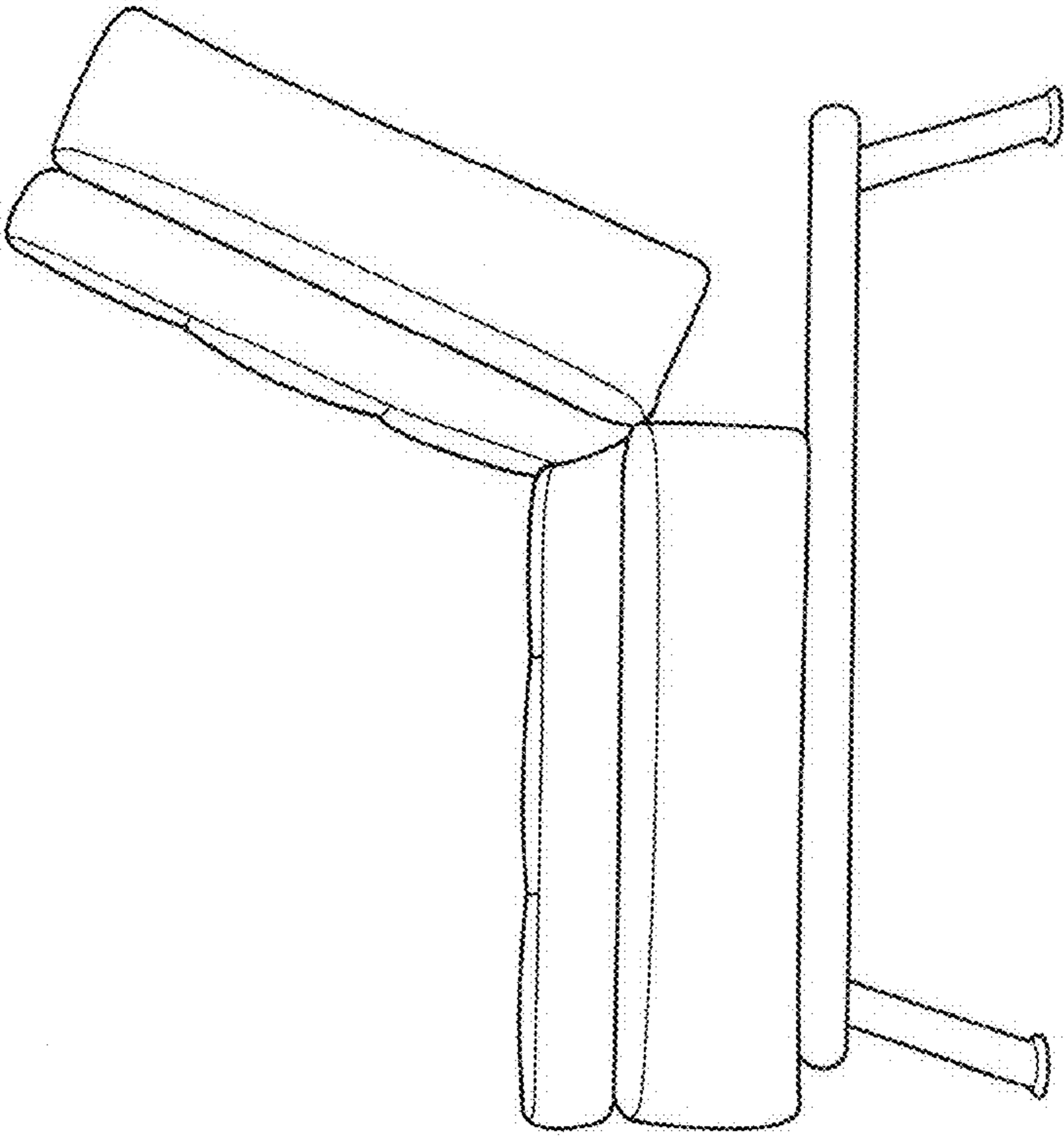


FIG. 8

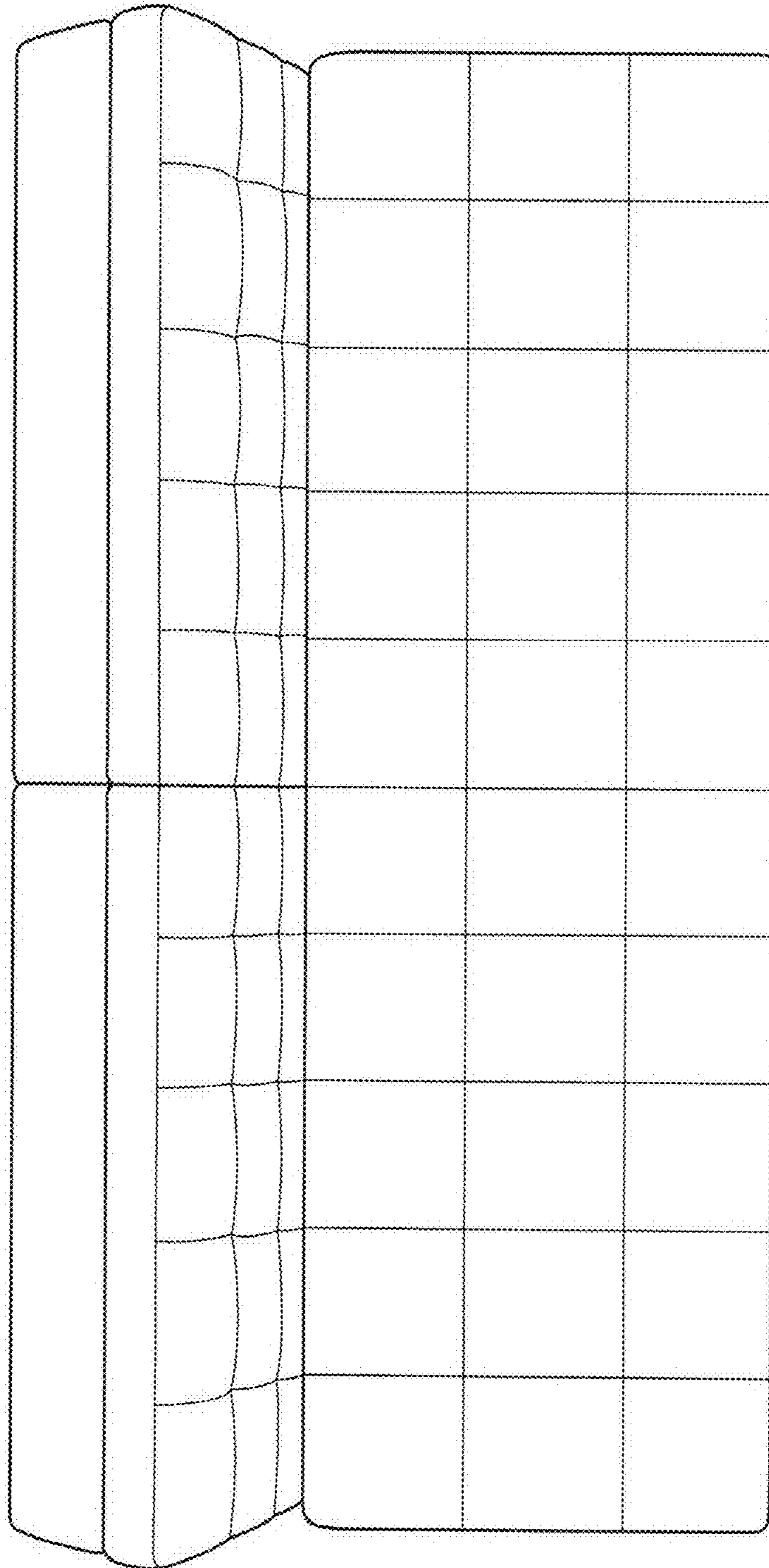


FIG. 9

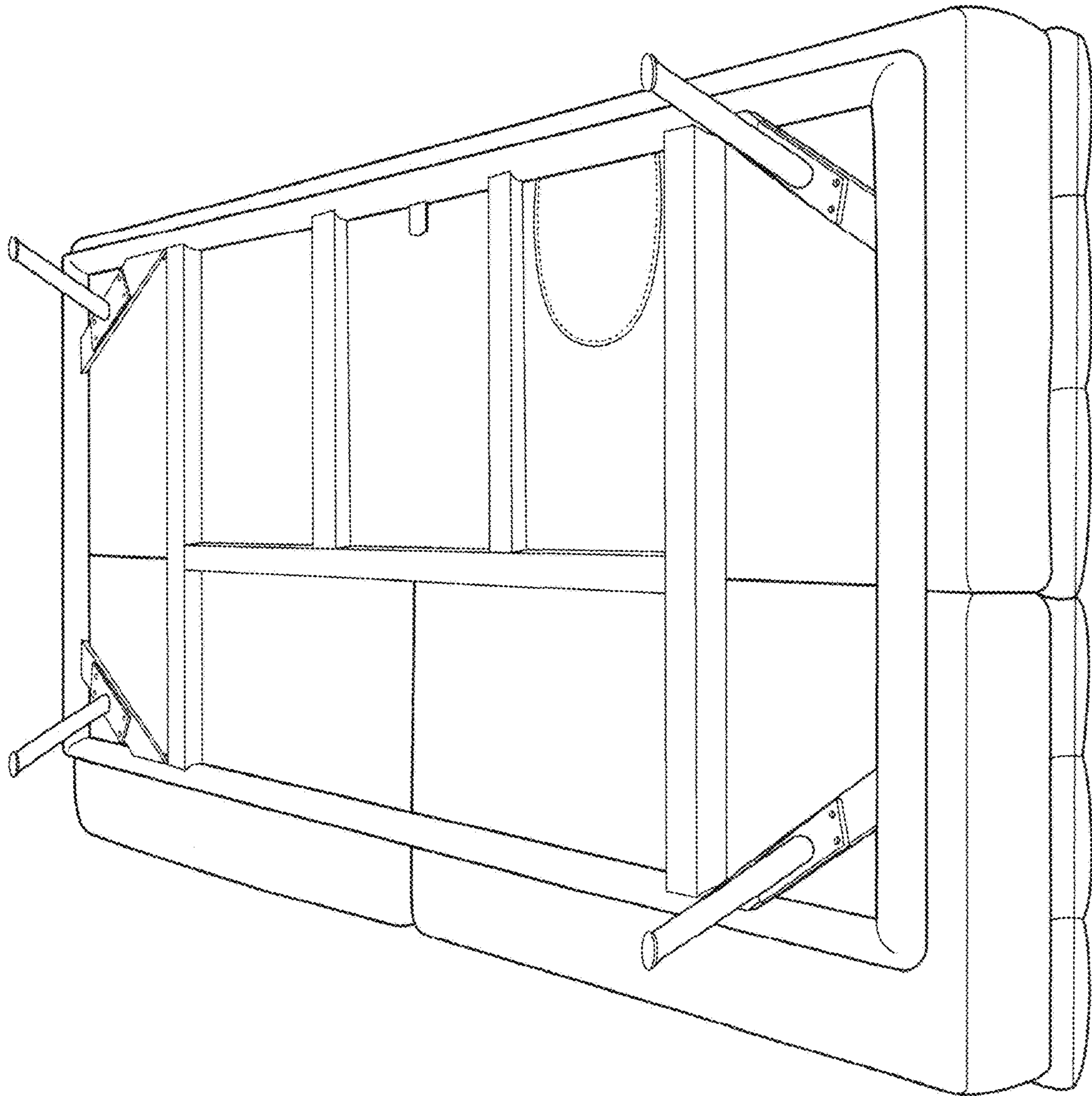


FIG. 10

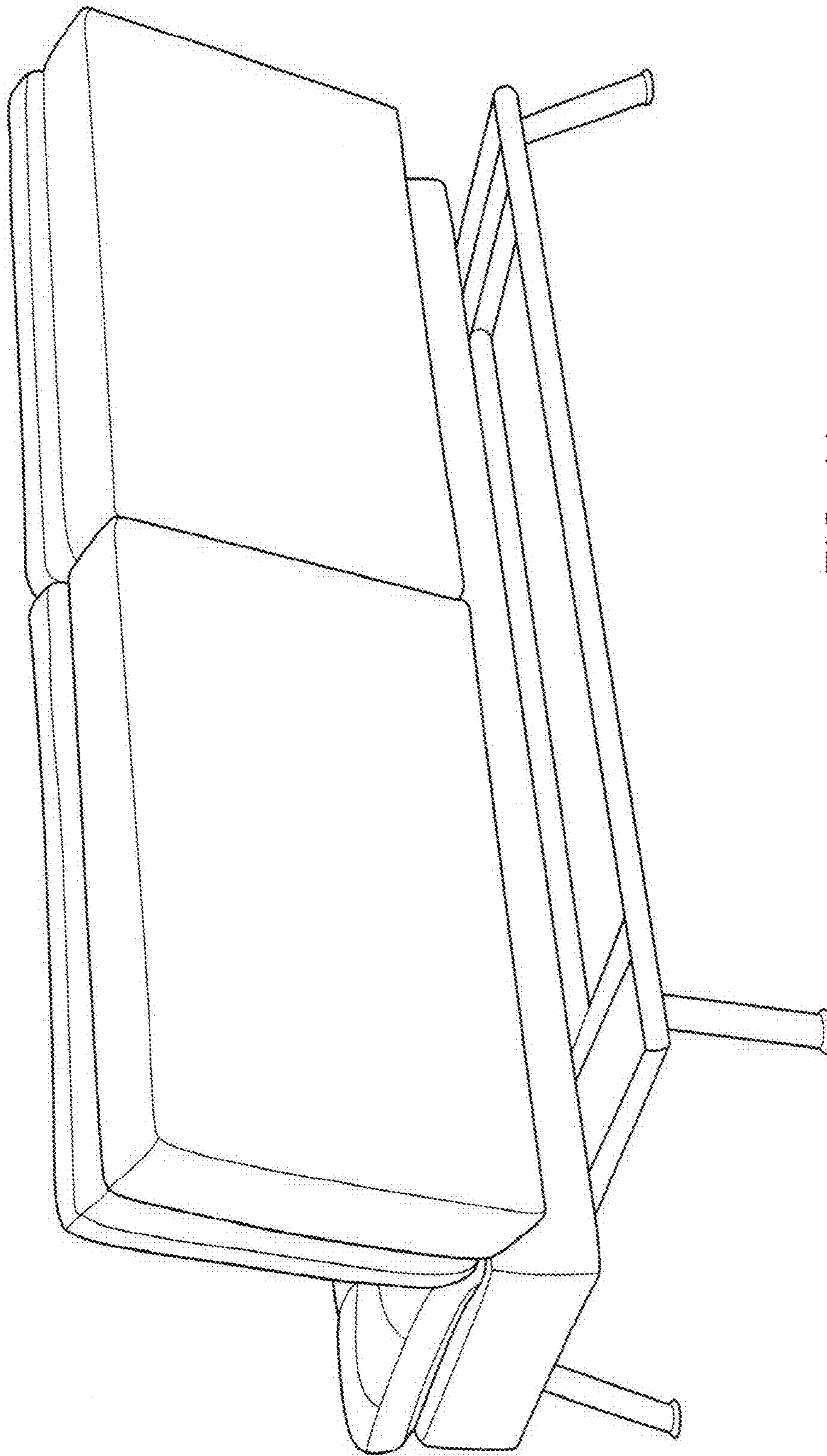


FIG. 11