



US00D939845S

(12) **United States Design Patent**
Kuhail

(10) **Patent No.:** **US D939,845 S**

(45) **Date of Patent:** **** Jan. 4, 2022**

(54) **SPACE SAVING CLOTHING HANGER**

(71) Applicant: **Mohammed Kuhail**, Ottawa (CA)

(72) Inventor: **Mohammed Kuhail**, Ottawa (CA)

(**) Term: **15 Years**

(21) Appl. No.: **29/750,846**

(22) Filed: **Sep. 16, 2020**

(51) **LOC (13) Cl.** **06-08**

(52) **U.S. Cl.**
USPC **D6/315; D6/323**

(58) **Field of Classification Search**
USPC D6/315-328; D8/367, 372
CPC A47G 25/28; A47G 25/38; A47G 25/14;
A47G 25/442; A47G 25/483; A47G
25/485; A47G 25/4023; Y10S 223/04;
A47F 5/0006

See application file for complete search history.

(56) **References Cited**

U.S. PATENT DOCUMENTS

D190,608 S * 6/1961 Forrester D8/372
D207,327 S * 4/1967 Patton D8/367
5,437,378 A * 8/1995 Ta A47G 25/743
211/115
D363,822 S * 11/1995 O'Neil D6/315

5,515,981 A * 5/1996 Gregory A47G 25/1457
211/113
D566,405 S * 4/2008 Belokin D6/315
D582,686 S * 12/2008 Belokin D6/315
7,481,340 B2 * 1/2009 Murphy A47G 25/743
223/85
D727,631 S * 4/2015 Irvin D6/323
D811,754 S * 3/2018 Heroux D6/315

* cited by examiner

Primary Examiner — Lauren R Calve

(74) *Attorney, Agent, or Firm* — Donald Debelak

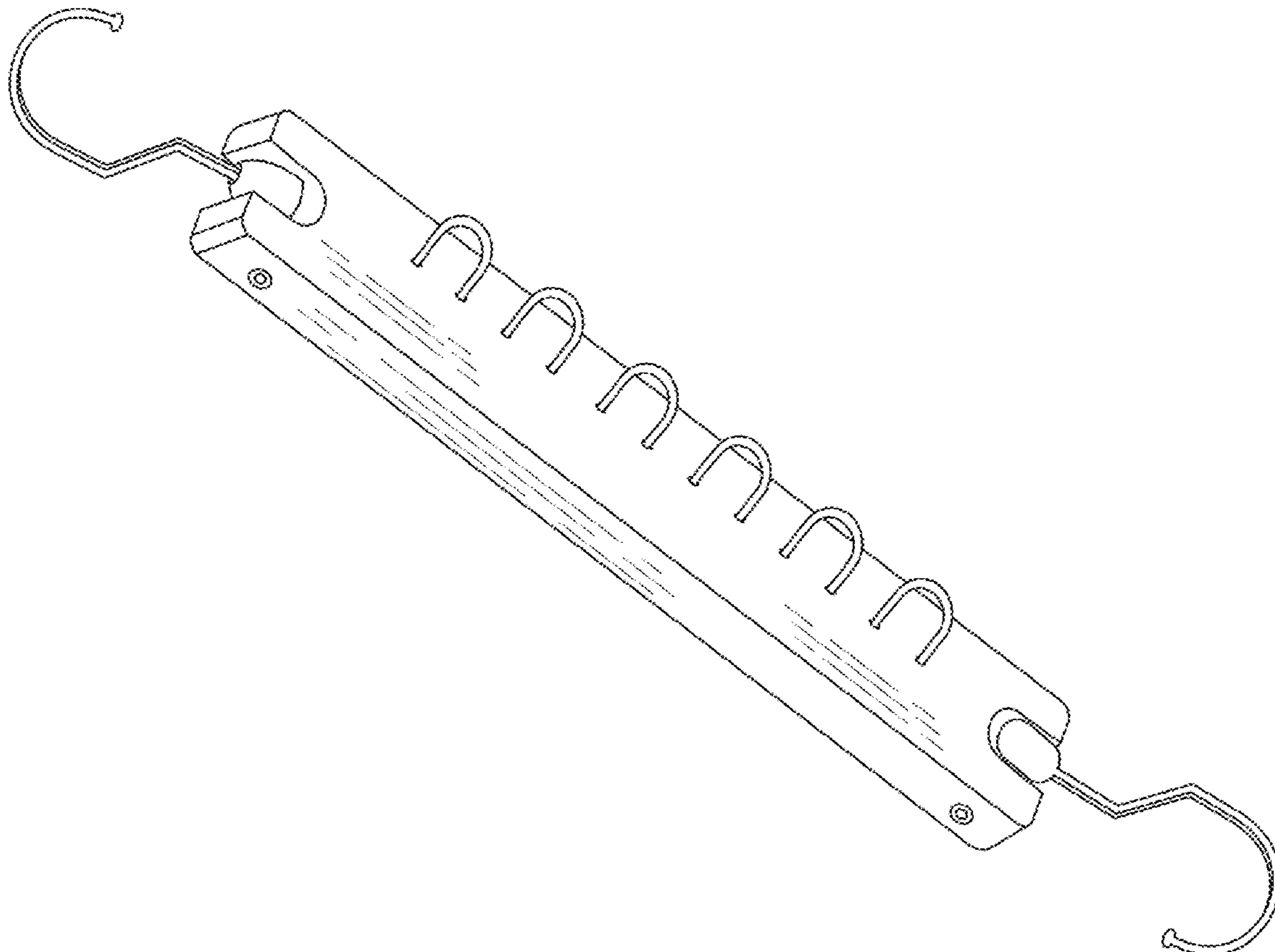
(57) **CLAIM**

The ornamental design for a space saving clothing hanger, as shown.

DESCRIPTION

FIG. 1 is a perspective view of a space saving clothing hanger;
FIG. 2 is a front view thereof showing the two hook features in an alternate position;
FIG. 3 is a rear view thereof;
FIG. 4 is a side view of FIG. 1 showing the two hook features in a second alternate position;
FIG. 5 is a second side view thereof;
FIG. 6 is a top view of FIG. 1 showing the two hook features in a third alternate position; and,
FIG. 7 is a top view of FIG. 1 showing the two hook features in a fourth alternate position.

1 Claim, 3 Drawing Sheets



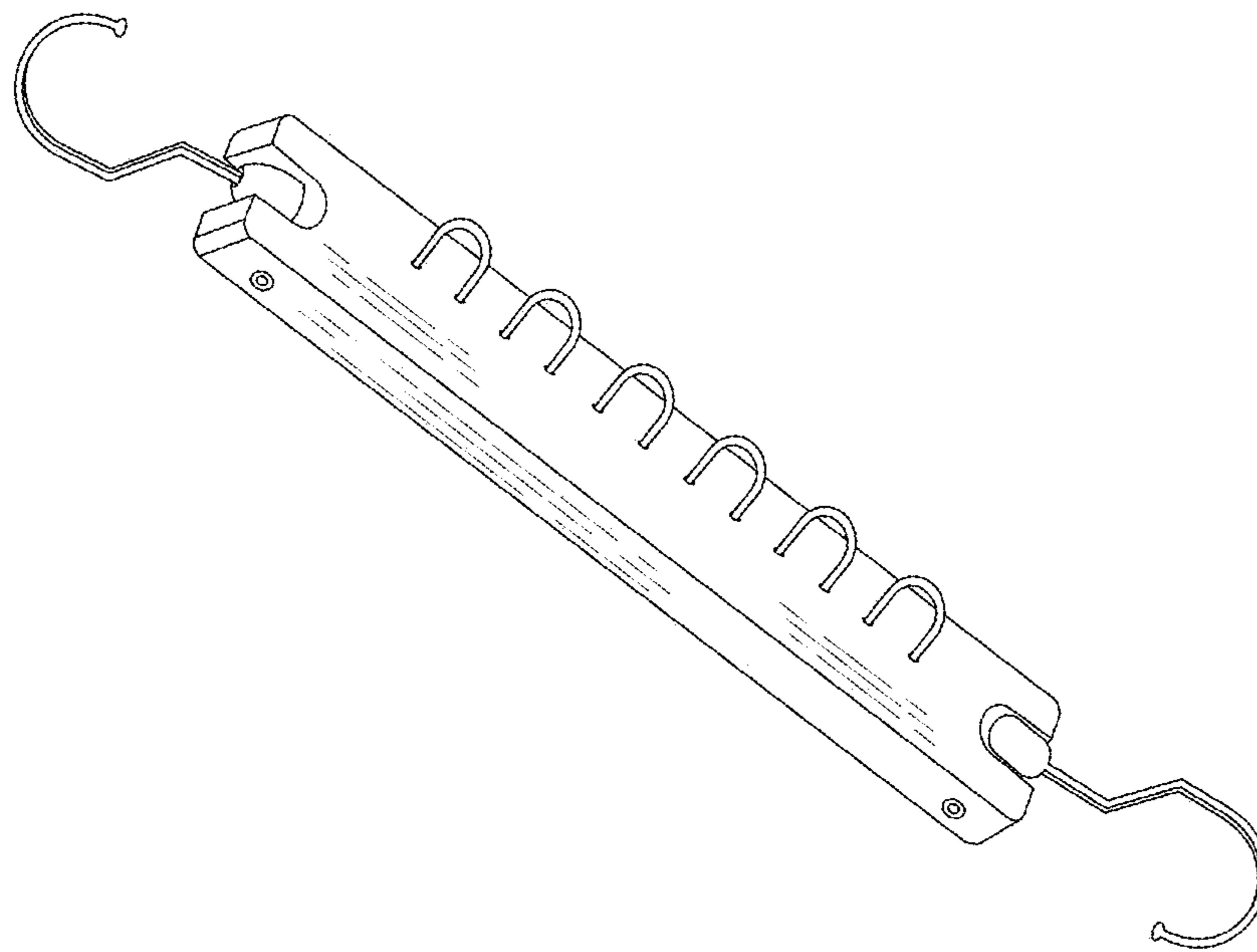


Fig. 1

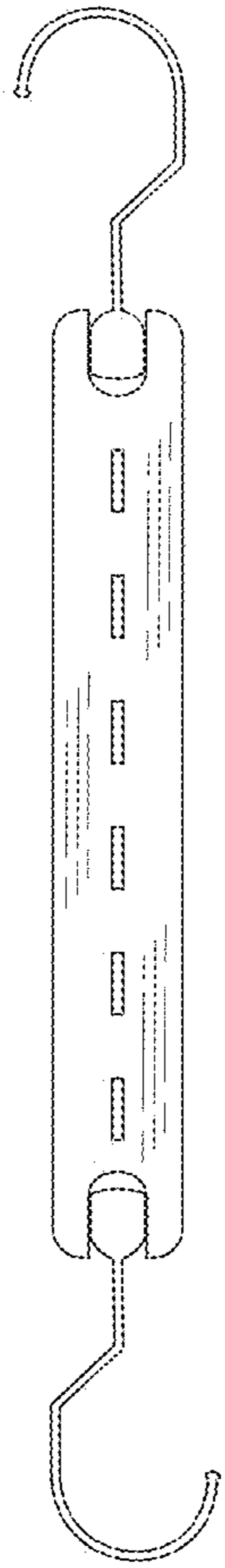


Fig. 2

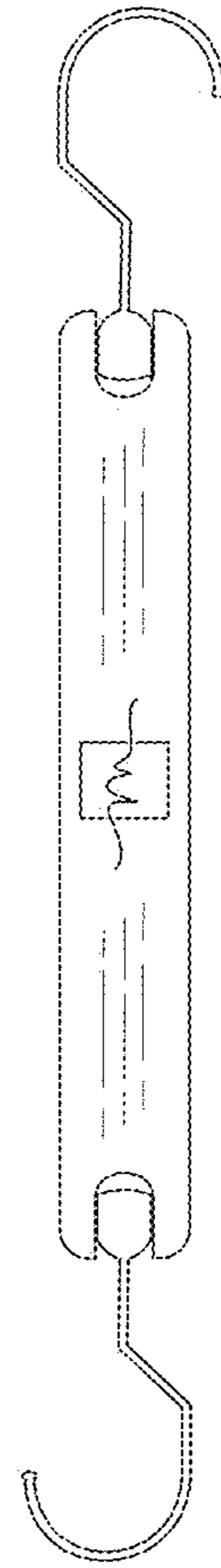


Fig. 3

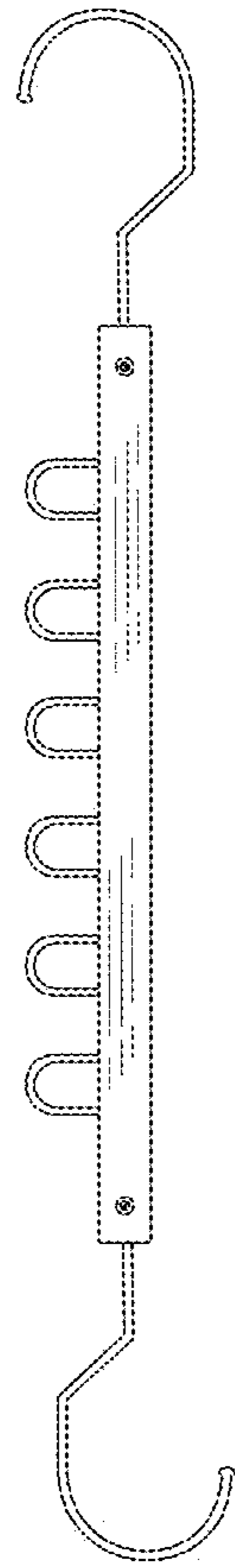


Fig. 4

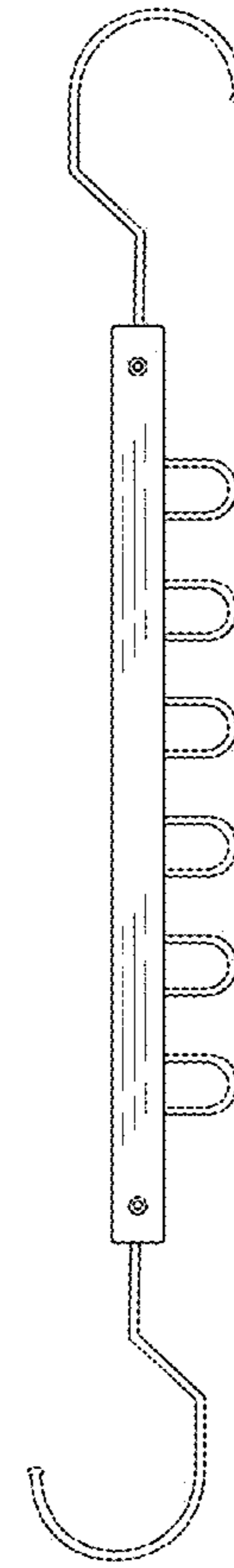


Fig. 5

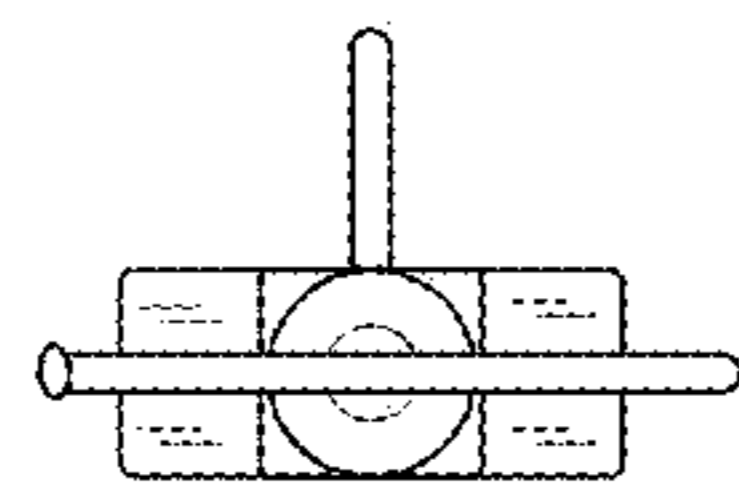


Fig. 6

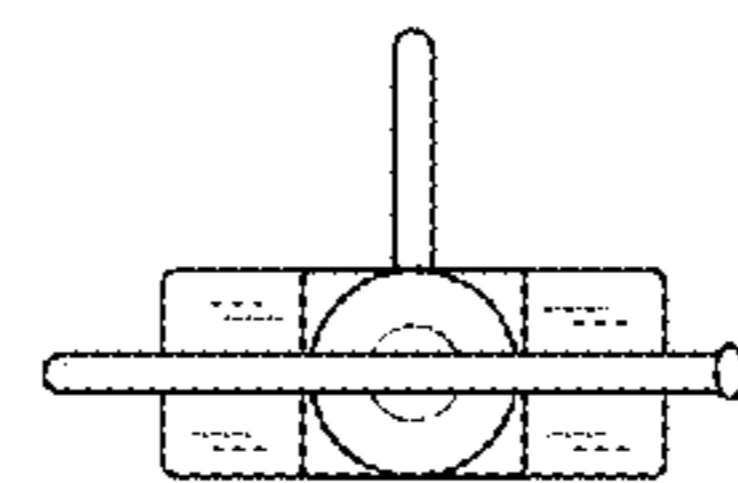


Fig. 7