



US00D939844S

(12) **United States Design Patent** (10) **Patent No.:** **US D939,844 S**
Park (45) **Date of Patent:** **** Jan. 4, 2022**

(54) **DESK PHOTO DISPLAY DEVICE**
(71) Applicant: **Umbra LLC**, Buffalo, NY (US)
(72) Inventor: **Sung Wook Park**, Toronto (CA)
(73) Assignee: **Umbra LLC**, Buffalo, NY (US)
(**) Term: **15 Years**
(21) Appl. No.: **29/738,433**
(22) Filed: **Jun. 17, 2020**
(51) **LOC (13) Cl.** **06-07**
(52) **U.S. Cl.**
USPC **D6/310**
(58) **Field of Classification Search**
USPC D6/300, 301, 302, 303, 304, 307, 308,
D6/309, 310, 311, 312, 313, 314;
D10/15, 21, 24; D14/336, 341, 371, 372,
D14/374, 381, 382, 448, 450; D20/10,
D20/27
CPC A47G 1/06; A47G 1/0605; A47G 1/0616;
A47G 1/0638; A47G 1/08; A47G 1/14;
A47G 1/142; A47G 1/16; A47G 1/1613;
A47G 2001/0688; A47G 2001/0694;
A47G 2001/148
See application file for complete search history.

(56) **References Cited**
U.S. PATENT DOCUMENTS
651,129 A * 6/1900 Becker A47G 1/16
248/470
D394,752 S * 6/1998 Tsui D6/300
D474,617 S * 5/2003 Swartz D6/310
D602,263 S * 10/2009 Vincent D6/305
D651,209 S * 12/2011 Chiu D14/371
D661,497 S * 6/2012 Chiu D6/303
D829,449 S * 10/2018 Orsi D6/300
D846,891 S * 4/2019 Doherty D6/310
D882,281 S * 4/2020 Park D6/310

FOREIGN PATENT DOCUMENTS
CN 306200588 * 7/2020

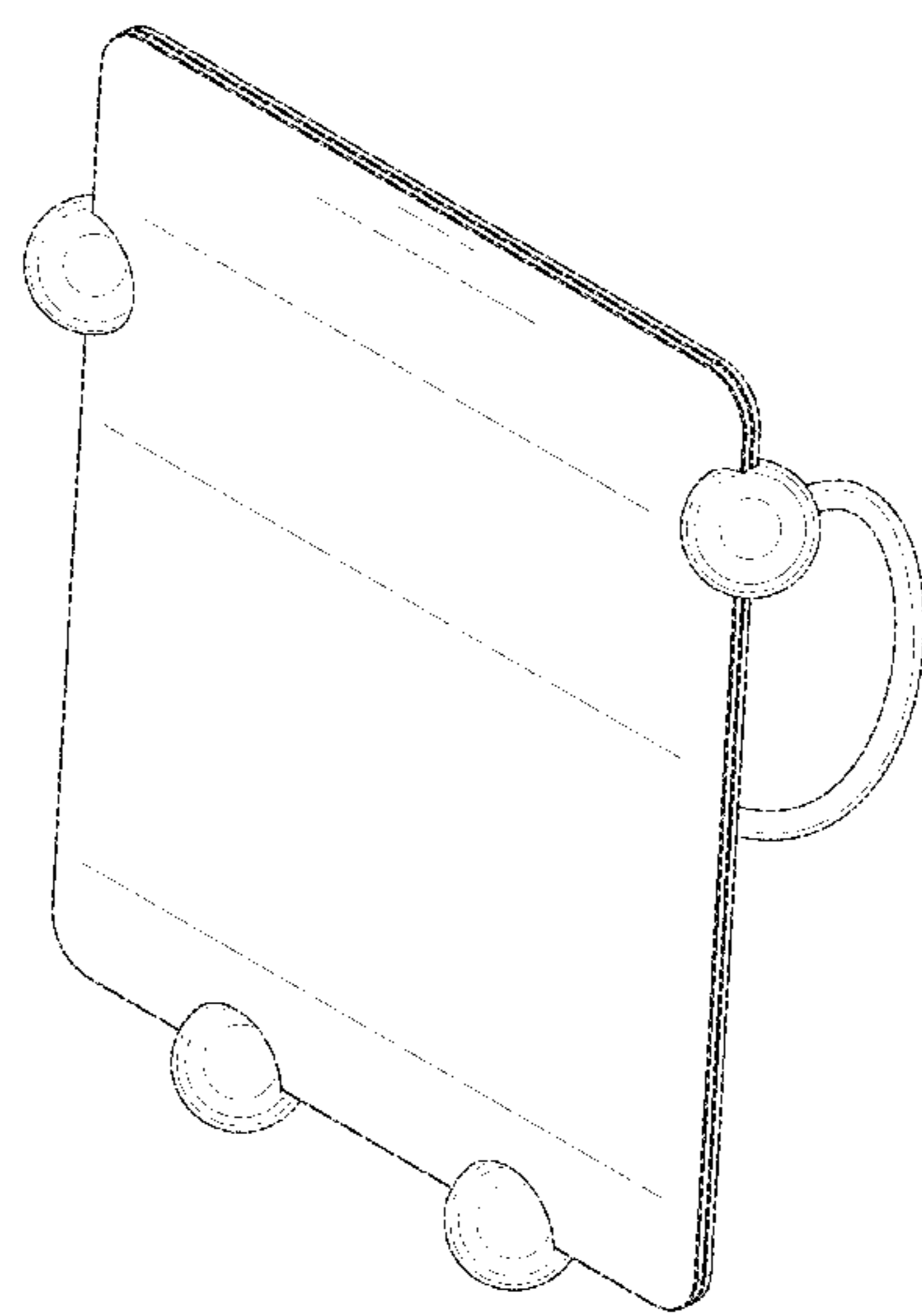
OTHER PUBLICATIONS
Woody Picture Frame [online], [site visited Oct. 20, 2021]. Available from internet, URL: <https://www.umbra.com/collections/picture-frames/products/woody-desk-photo-frame?variant=39371438915720> (Year: 2021).
Umbra 1015611-048 Frame [online], [site visited Oct. 20, 2021]. Available from internet, URL: <https://www.amazon.ca/Umbra-1015611-048-Frame-Black-Walnut/dp/B08DL94RDM/ref=sr_1_1?dchild=1&keywords=B08DL94RDM&qid=1634756289&sr=8-1> (Year: 2020).*

* cited by examiner
Primary Examiner — Cynthia Ramirez
Assistant Examiner — Xavier Marti-Santos
(74) *Attorney, Agent, or Firm* — Simpson & Simpson, PLLC

(57) **CLAIM**
The ornamental design for a desk photo display device, as shown and described.

DESCRIPTION
FIG. 1 is a front perspective view of the desk photo display device of the present invention;
FIG. 2 is a front elevational view of the desk photo display device of the invention shown in FIG. 1;
FIG. 3 is a rear elevational view of the invention shown in FIG. 1;
FIG. 4 is a right side elevational view of the invention shown in FIG. 1;
FIG. 5 is a left side elevational view of the invention shown in FIG. 1;
FIG. 6 is a top plan view of the invention shown in FIG. 1; and,
FIG. 7 is a bottom plan view of the invention shown in FIG. 1.

1 Claim, 7 Drawing Sheets



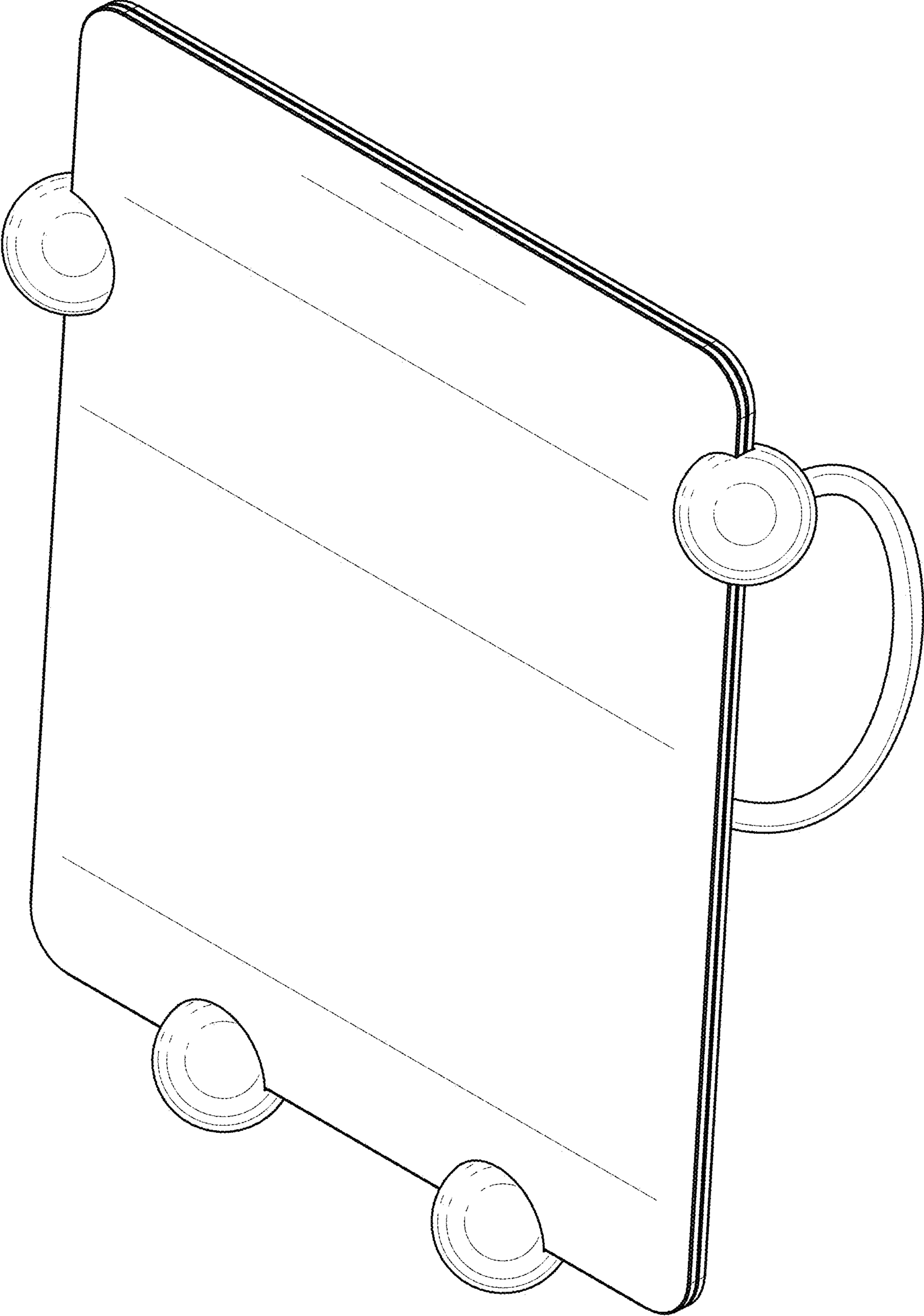


FIG. 1

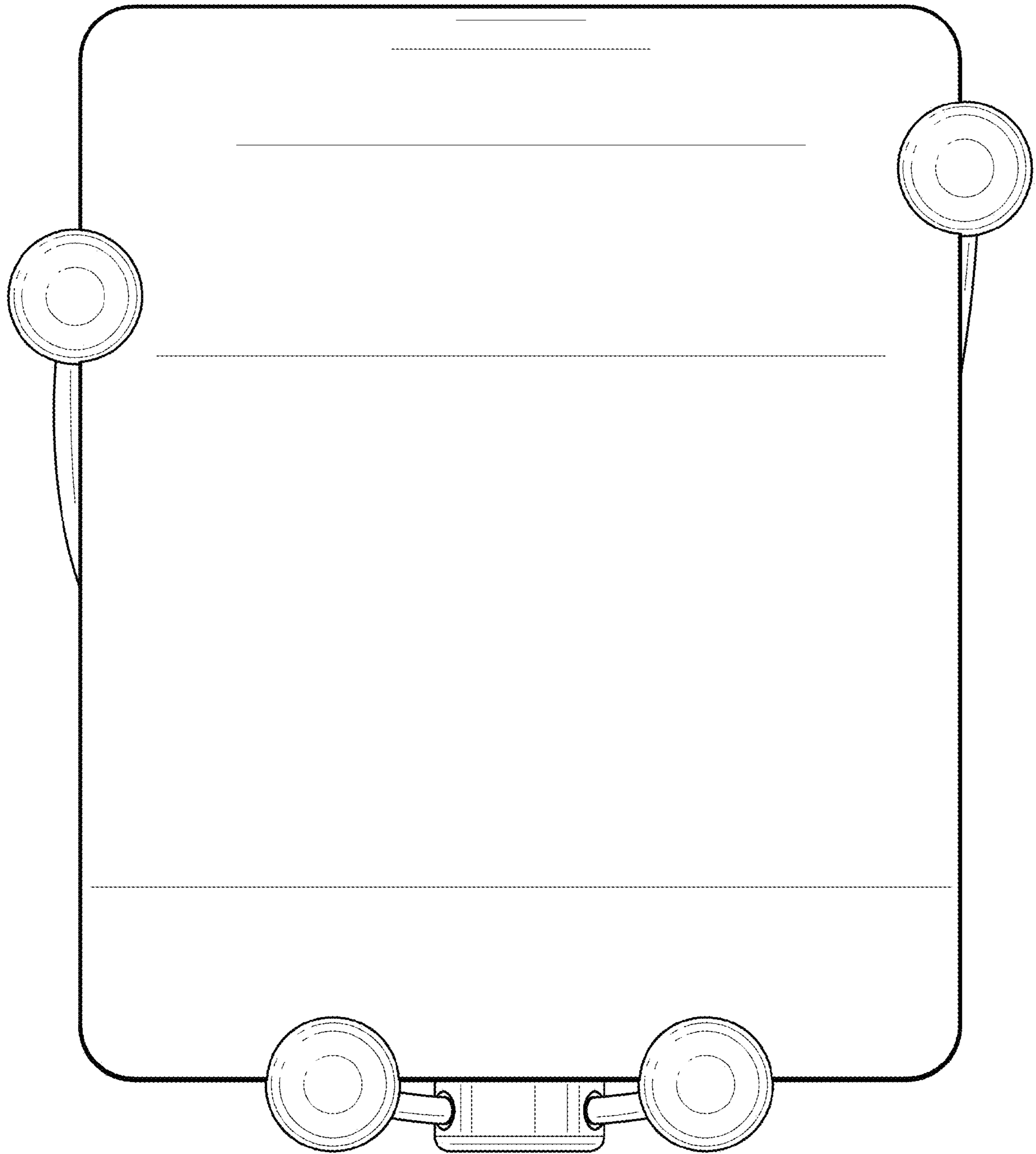


FIG. 2

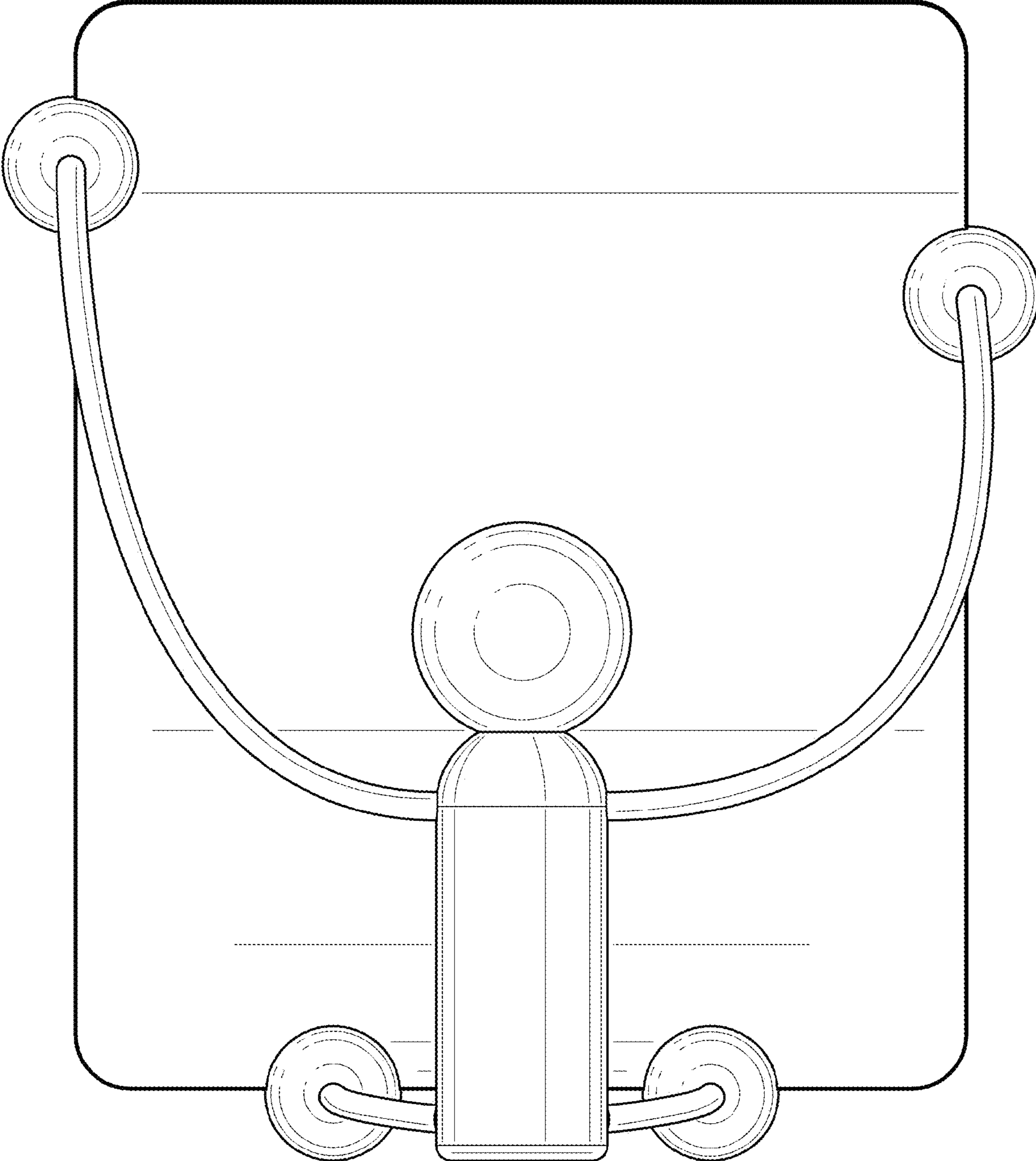


FIG. 3

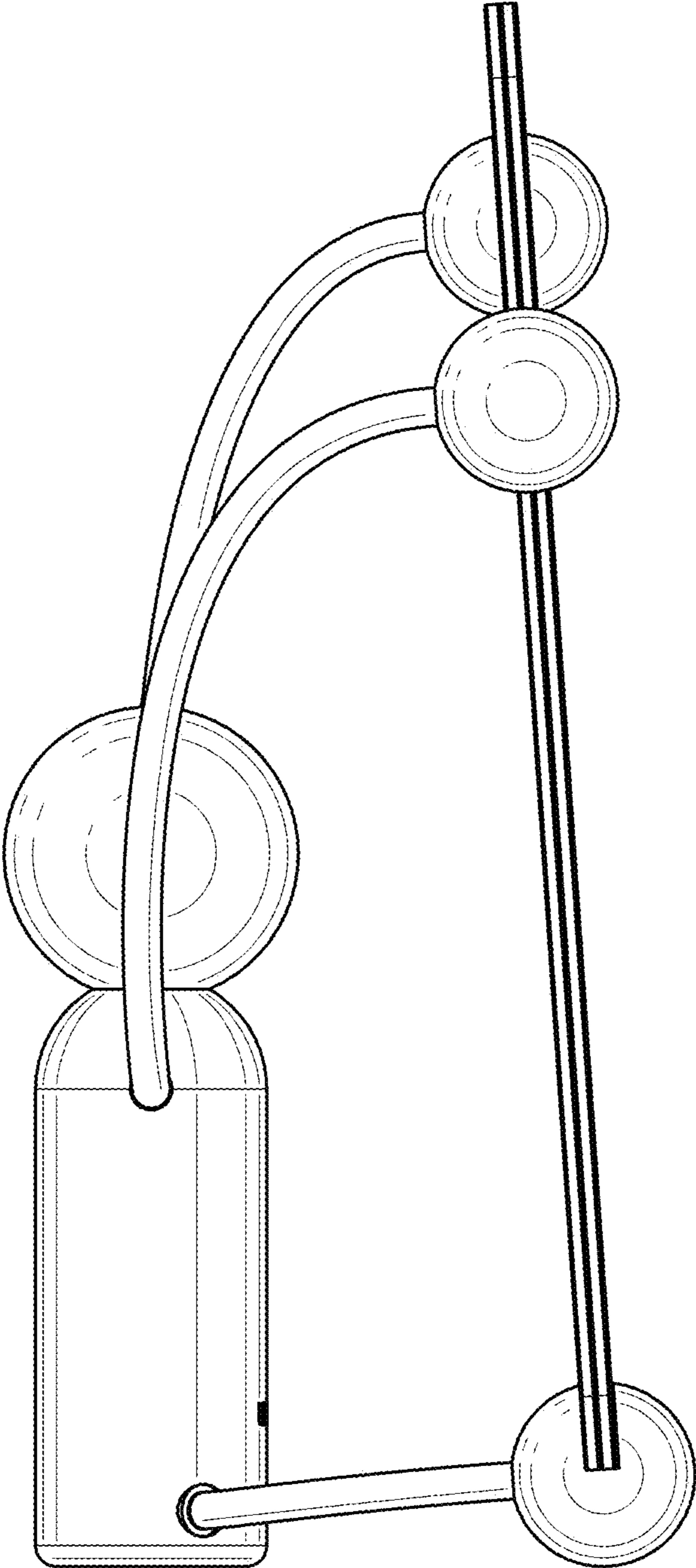


FIG. 4

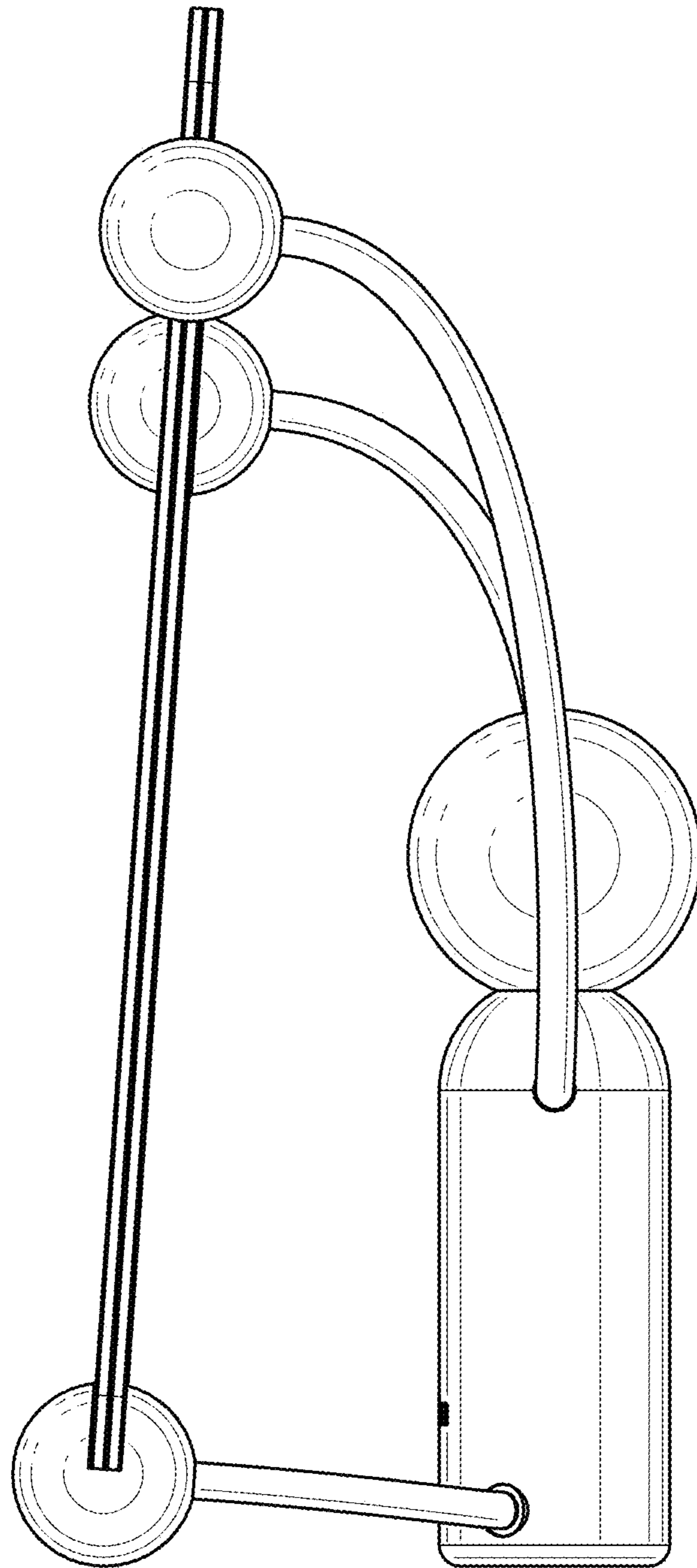


FIG. 5

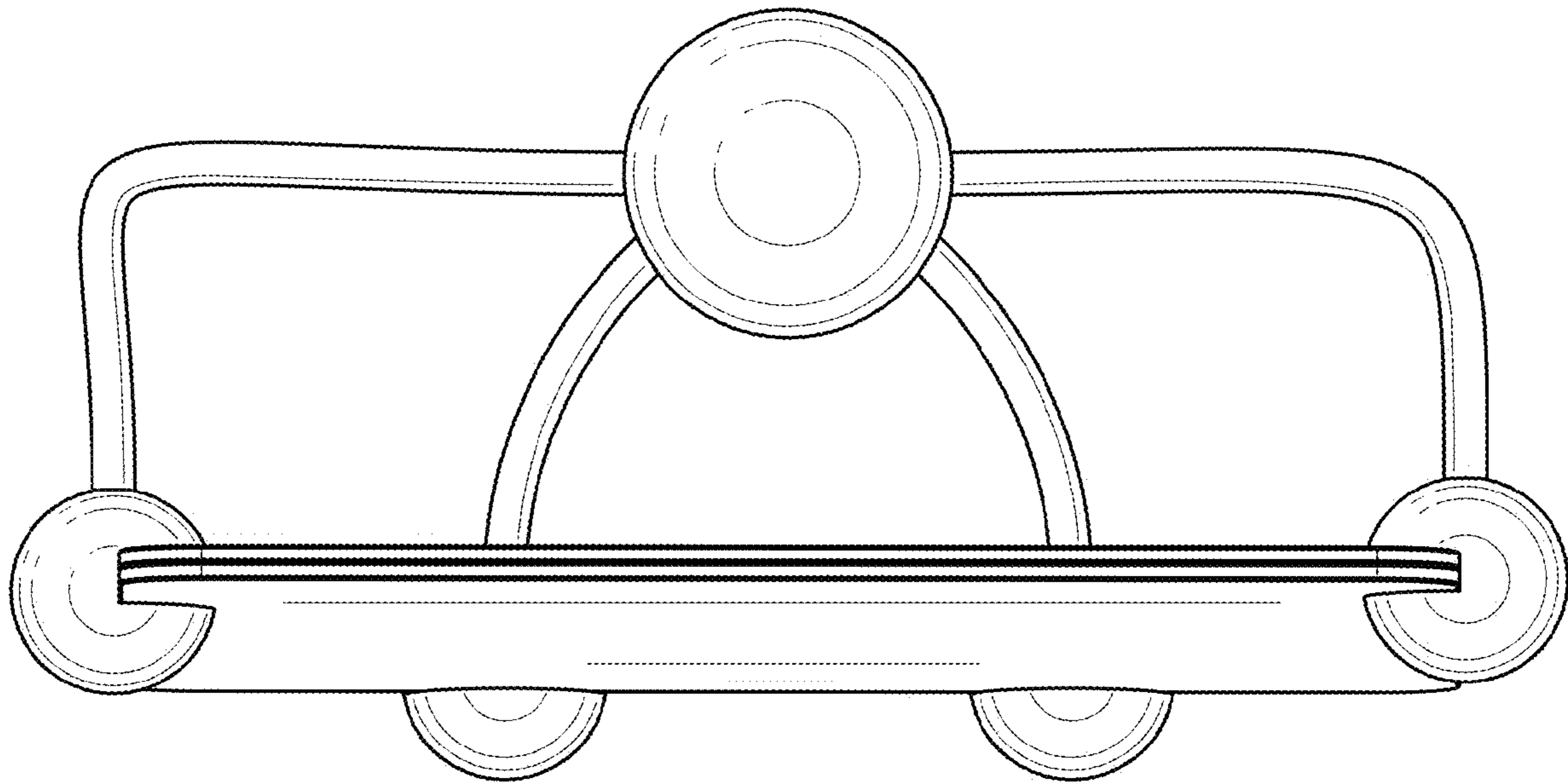


FIG. 6

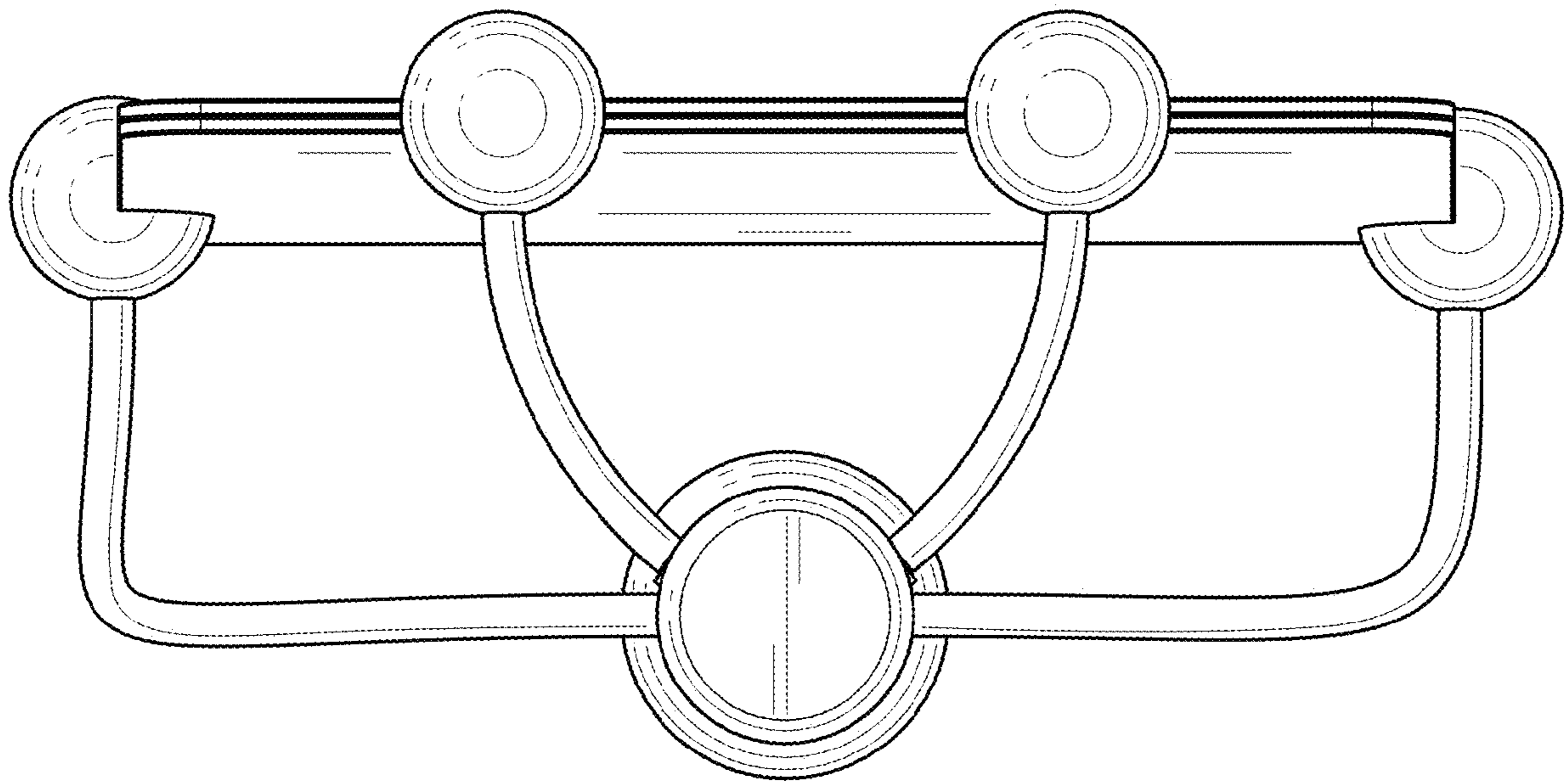


FIG. 7