



US00D939843S

(12) **United States Design Patent** (10) **Patent No.:** **US D939,843 S**  
**Li et al.** (45) **Date of Patent:** **\*\* Jan. 4, 2022**

(54) **MAKE-UP MIRROR**  
(71) Applicant: **SHENZHEN ACCOMPANY TECH CO., LTD**, Guangdong (CN)

D905,976 S \* 12/2020 Yang ..... D6/310  
D916,472 S \* 4/2021 Ghiorghie ..... D6/310  
D919,984 S \* 5/2021 Yang ..... D6/312  
D924,456 S \* 7/2021 Zhao ..... D26/56

(72) Inventors: **Ke Li**, Guangdong (CN); **Nianou Wang**, Guangdong (CN); **Zhilong Cheng**, Guangdong (CN)

FOREIGN PATENT DOCUMENTS

CN 305437829 \* 4/2019  
CN 306726956 \* 4/2021

(73) Assignee: **SHENZHEN ACCOMPANY TECH CO., LTD**, Shenzhen (CN)

OTHER PUBLICATIONS

AMIRO 6.5 inch LED Lighted Makeup Mirror [online], [site visited Oct. 6, 2021]. Available from internet, URL:<[https://www.amazon.ca/AMIRO-Lighted-Makeup-Natural-Adjustable/dp/B07QJB53Y7/ref=sr\\_1\\_1?dchild=1&keywords=B07QJB53Y7&qid=1633600905&sr=8-1&th=1](https://www.amazon.ca/AMIRO-Lighted-Makeup-Natural-Adjustable/dp/B07QJB53Y7/ref=sr_1_1?dchild=1&keywords=B07QJB53Y7&qid=1633600905&sr=8-1&th=1)> (Year: 2019).\*

(\*\*) Term: **15 Years**

\* cited by examiner

(21) Appl. No.: **29/764,463**

(22) Filed: **Dec. 30, 2020**

(51) **LOC (13) Cl.** ..... **06-07**

(52) **U.S. Cl.**  
USPC ..... **D6/309**

(58) **Field of Classification Search**  
USPC ..... D6/300, 301, 302, 303, 304, 307, 308,  
D6/309, 310, 311, 312, 313, 314;  
D28/64.1-64.7; D16/135  
CPC ..... A45D 42/00; A45D 42/10; A45D 42/16;  
A45D 42/20; A45D 42/24; A47G 1/00;  
A47G 1/02; A47G 1/04; A47G 1/0622;  
B60J 3/0282

See application file for complete search history.

*Primary Examiner* — Cynthia Ramirez

*Assistant Examiner* — Xavier Marti-Santos

(74) *Attorney, Agent, or Firm* — Ladas & Parry LLP

(57) **CLAIM**

The ornamental design for a make-up mirror, as shown and described.

**DESCRIPTION**

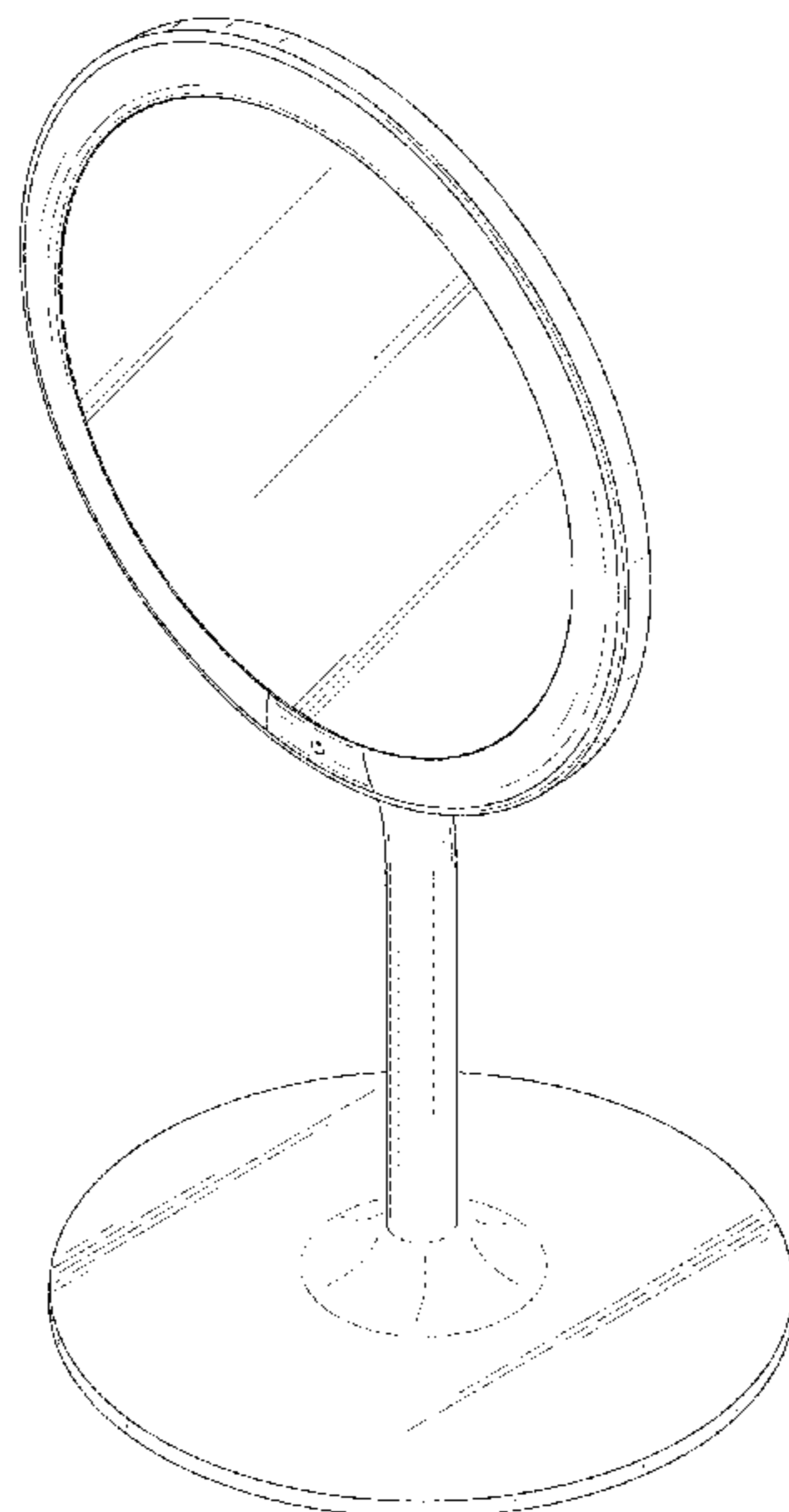
FIG. 1 is a side perspective view of the new design of a make-up mirror;  
FIG. 2 is another side perspective view thereof;  
FIG. 3 is a front elevation view thereof;  
FIG. 4 is a rear elevation view thereof;  
FIG. 5 is a left side view thereof;  
FIG. 6 is a right side view thereof;  
FIG. 7 is a top view thereof; and,  
FIG. 8 is a bottom view thereof.  
The broken lines show portions of the make-up mirror that form no part of the claimed design.

(56) **References Cited**

U.S. PATENT DOCUMENTS

D547,555 S \* 7/2007 Lo ..... D6/312  
D635,009 S \* 3/2011 Paterson ..... D8/352  
D845,652 S \* 4/2019 Yang ..... D6/309  
D885,769 S \* 6/2020 Wang ..... D6/309  
D891,123 S \* 7/2020 Li ..... D6/310  
D892,508 S \* 8/2020 Yang ..... D6/309  
D897,695 S \* 10/2020 Yang ..... D6/309  
D898,386 S \* 10/2020 Huang ..... D6/309

**1 Claim, 8 Drawing Sheets**



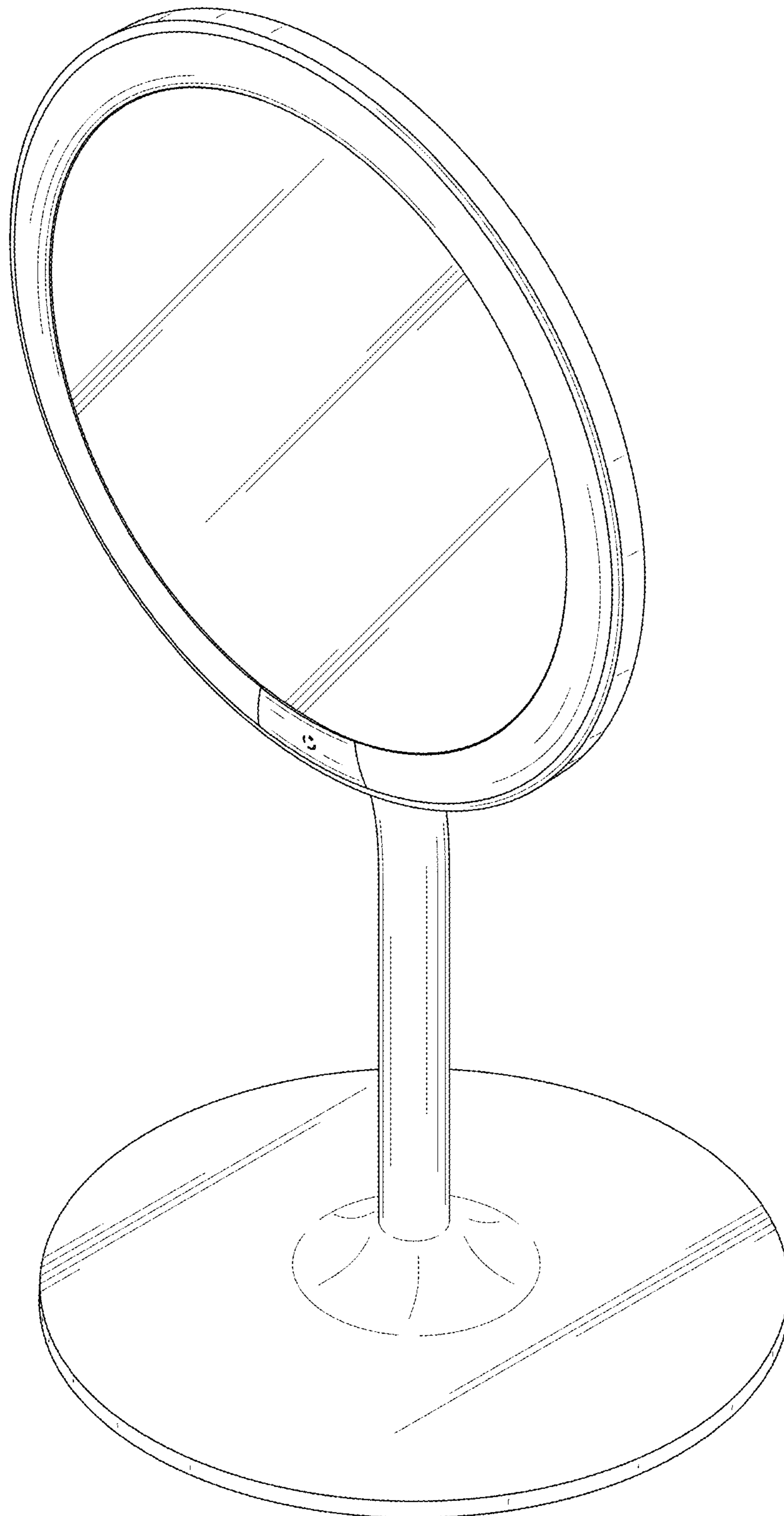


FIG. 1

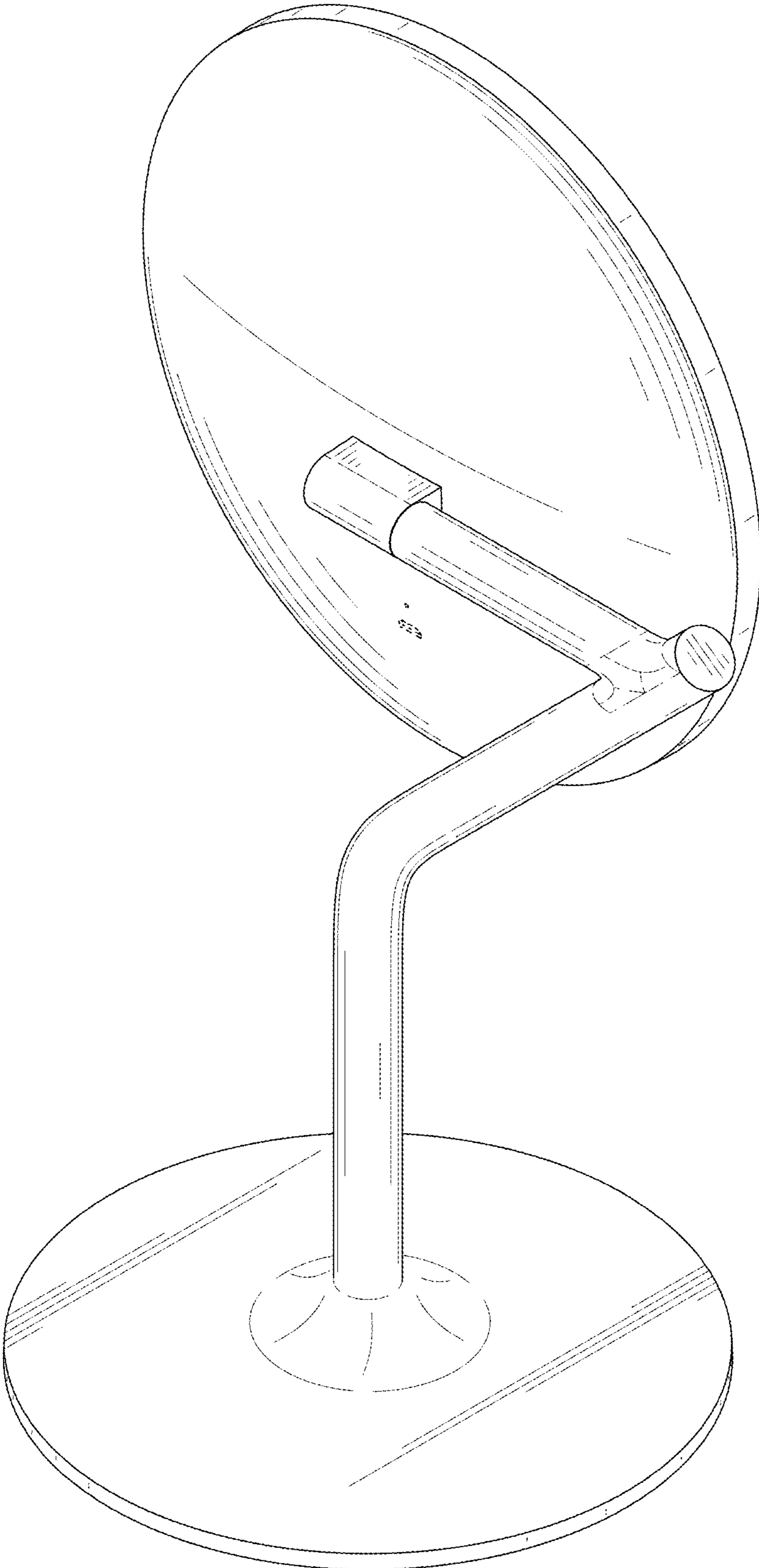


FIG. 2

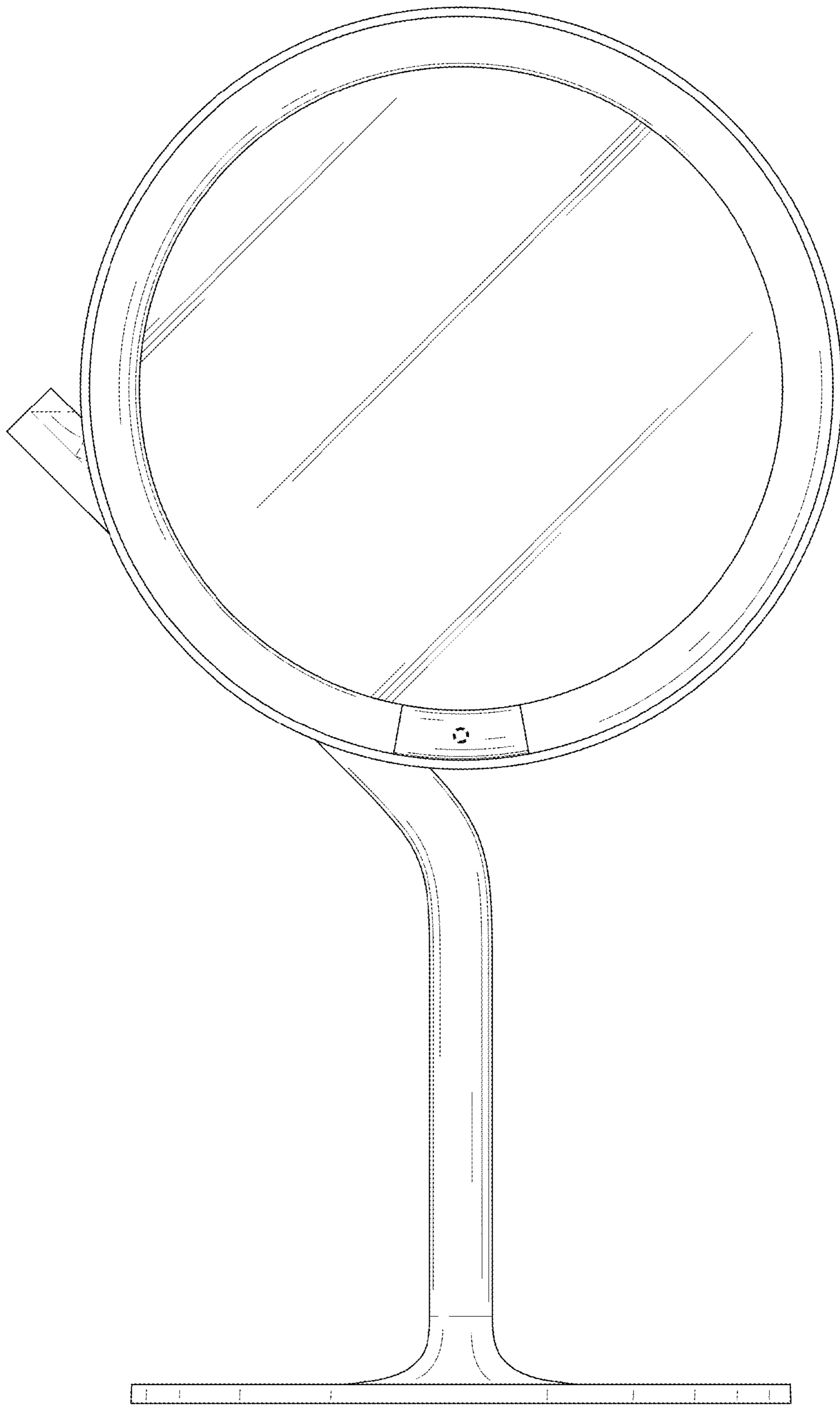


FIG. 3

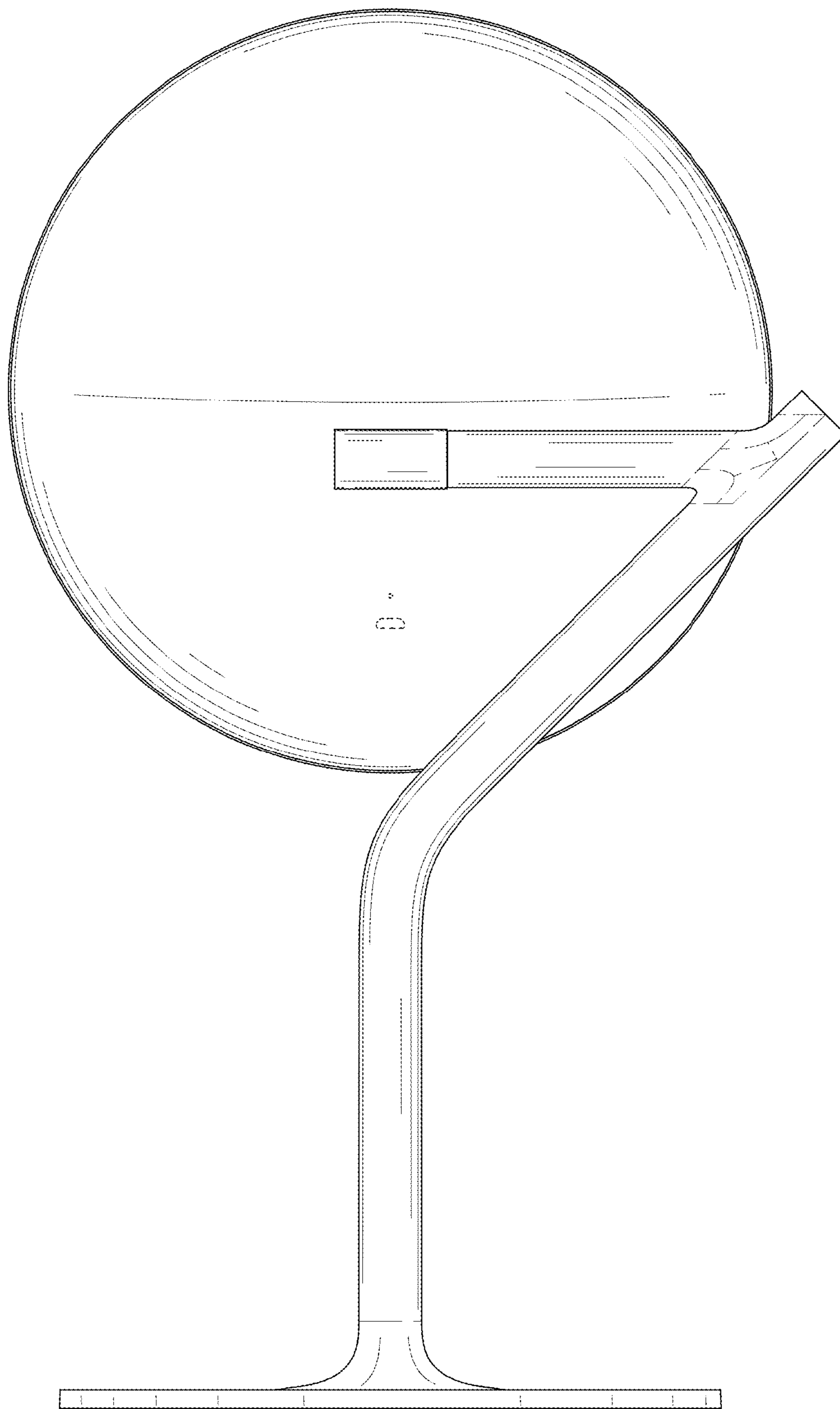


FIG. 4

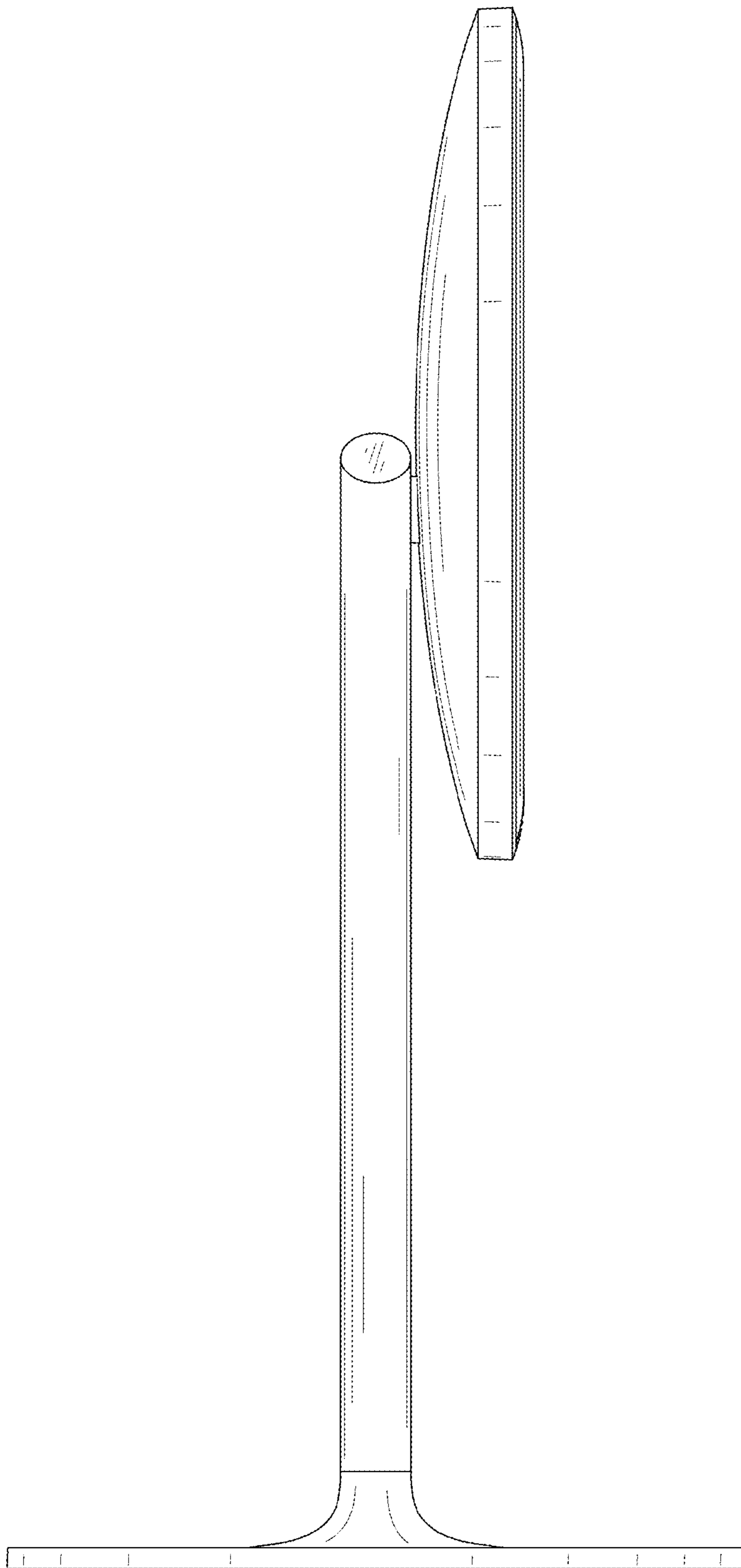


FIG. 5

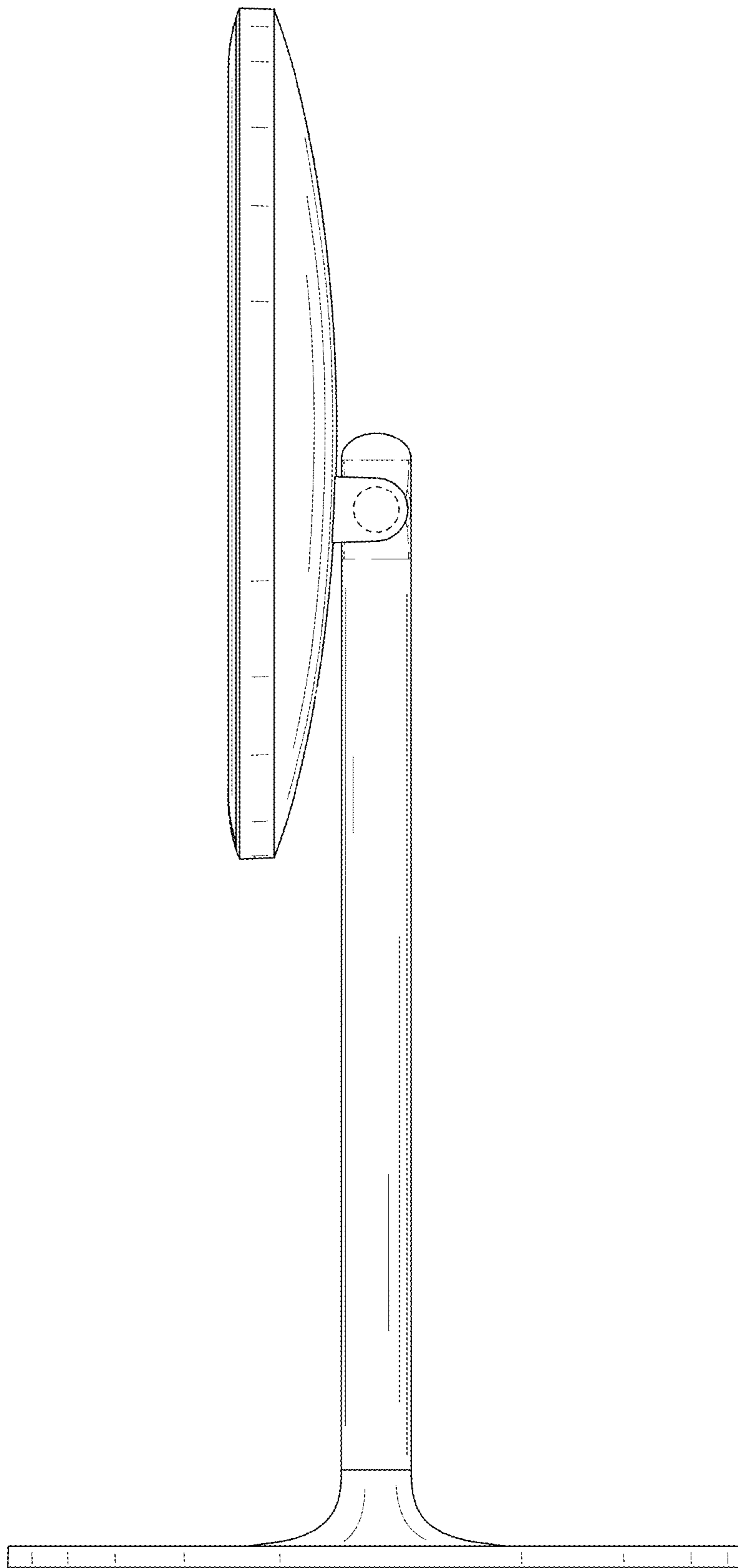


FIG. 6

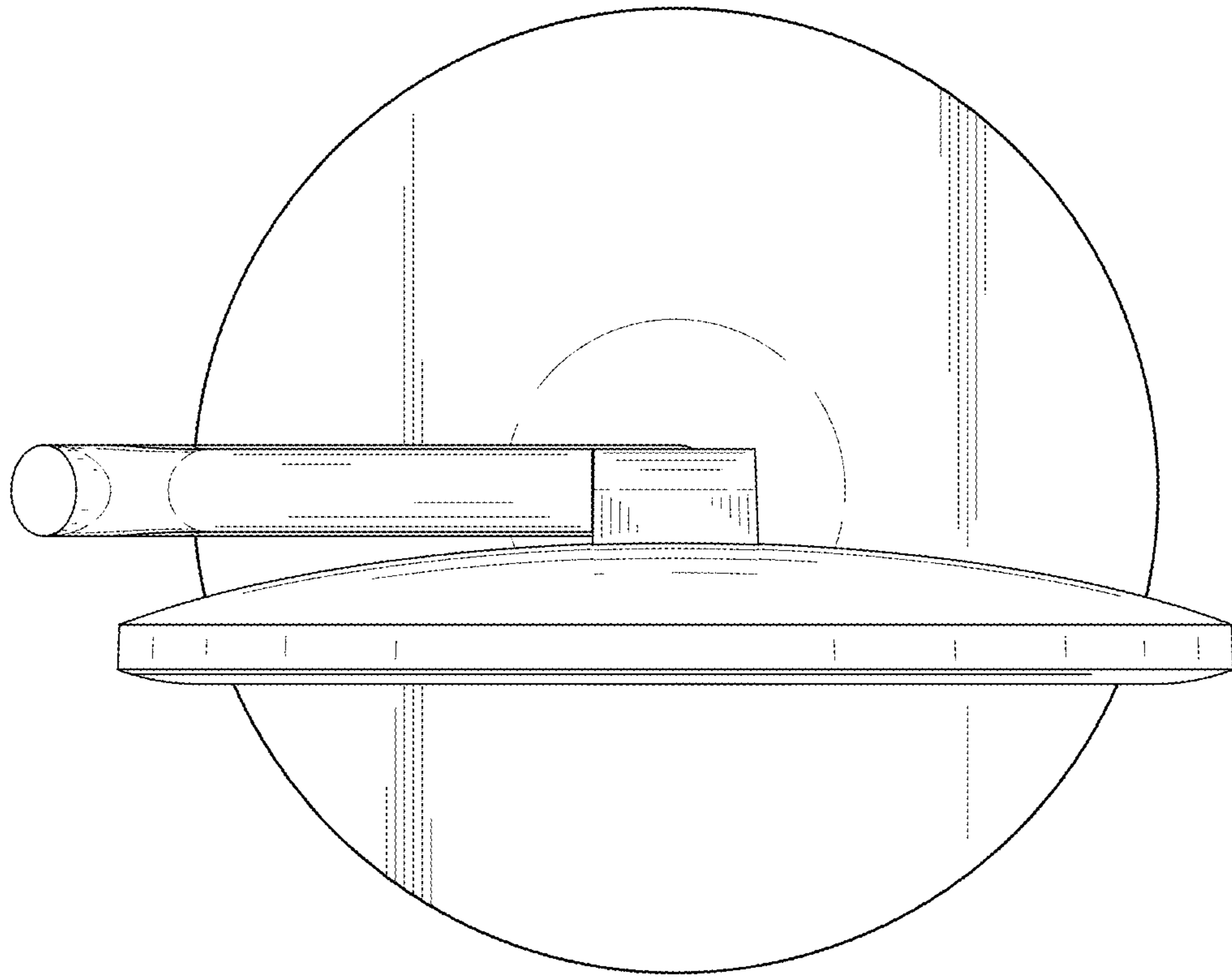


FIG. 7



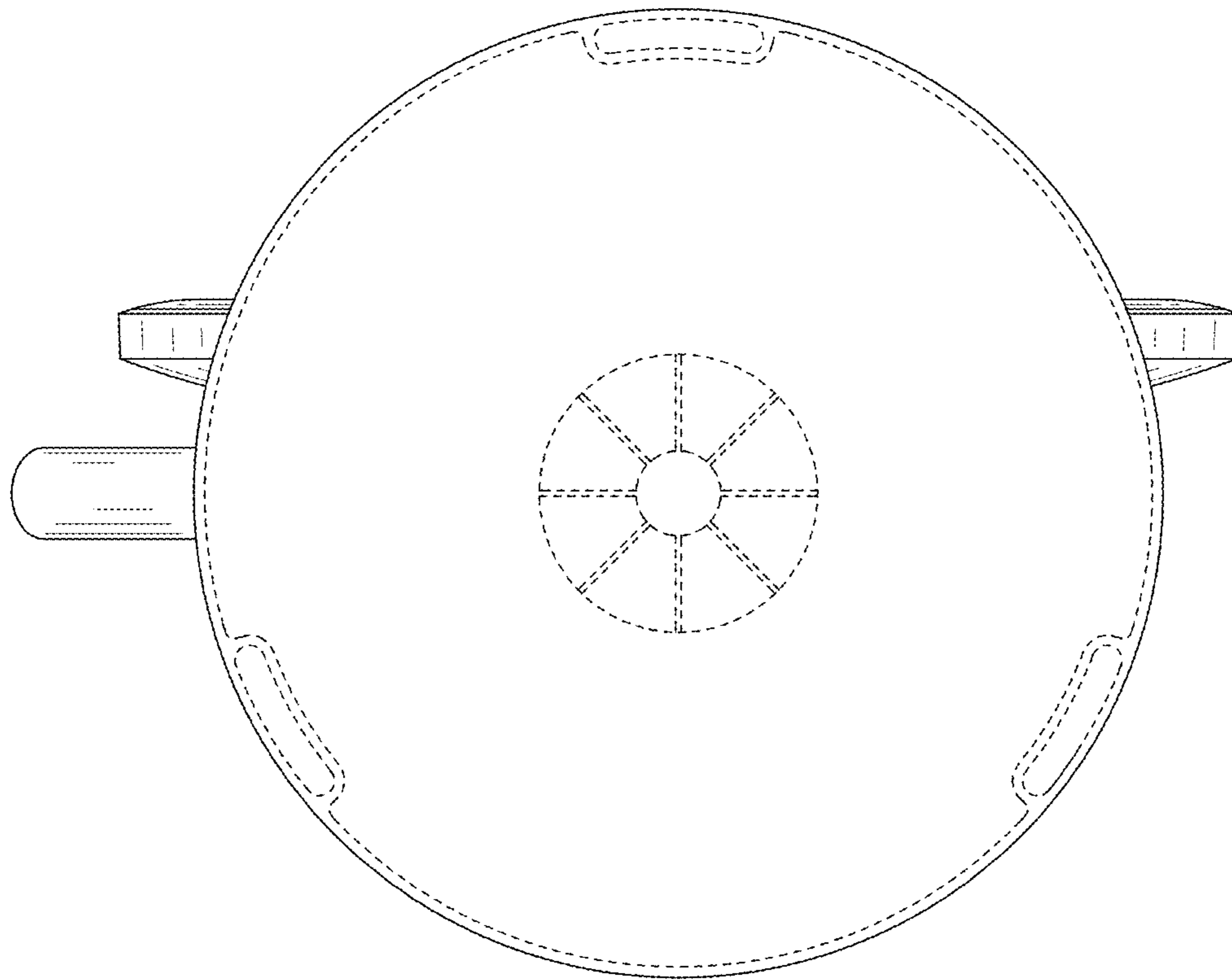


FIG. 8